

**For:ko02585**

**Printed on:Mon, Feb 1, 1999 11:10:50**

**Document:085984\_2\_aa\_\_**

**Last saved on:Thu, Dec 17, 1998 11:29:51**

## IMPORTANT SAFEGUARDS

When using electrical products, especially when children are present, basic safety precautions should always be followed, including the following:

### READ ALL INSTRUCTIONS BEFORE USING THIS APPLIANCE

 **DANGER: Risk of electrical shock.** To reduce the risk of electrical shock:

Connect AC adapter only to a properly-grounded, grounding-type receptacle which is protected by a Ground-Fault Circuit-Interrupter (GFCI).

Do not place or store product where it can fall or be pulled into a tub or sink.

Do not place in or drop into water or other liquid.

Do not reach for a product that has fallen into water. Unplug immediately.

 **WARNING: To reduce the risk of personal injury, follow these safety precautions:**

Use this toilet vent kit for its intended use as described in this manual. Do not use attachments not recommended by Kohler Co.

Never operate this toilet vent kit if it has a damaged cord or plug, if it is not working properly, if it has been dropped or damaged, or dropped into water. This product has no user serviceable parts.

Keep the cord away from heated surfaces.

## SAVE THESE INSTRUCTIONS

This device complies with part 15 of the FCC Rules. Operation is subject to the following two conditions: (1) This device may not cause harmful interference, and (2) this device must accept any interference received, including interference that may cause undesired operation.



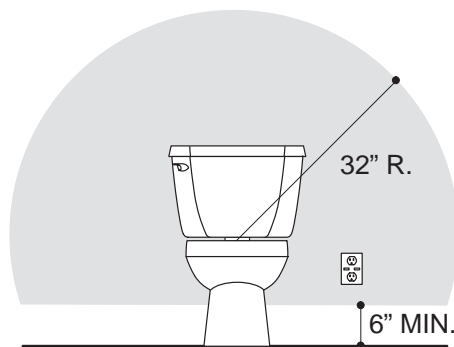
**WARNING: Do not use in-tank cleaners.** Products containing chlorine (calcium hypochlorite) can seriously damage this product as well as the other fittings in your toilet. Kohler Company shall not be responsible or liable for any damage caused by the use of cleaners containing chlorine.

- Electrical service requirements: 120 VAC, 15 A, 60 Hz (circuit protected by a Class A GFCI). The power requirement for this vented toilet kit is 7 W at 12 VDC. The kit has an 8' electrical cord and AC adapter.
- This vented toilet kit uses a motion sensing device to automatically turn itself on and off.
- Plug in the AC adapter only after the vent kit is properly installed in the toilet tank.
- Do not use an extension cord with this product.
- Do not attempt to repair or replace the AC adapter.

## INSTALL ELECTRICAL SERVICE

**NOTE:** You can use an existing electrical service if it meets the following requirements.

- A licensed electrician should install a properly-grounded, grounding-type receptacle which is protected by a GFCI.
- We recommend that the electrician locate the receptacle no less than 6" above the floor line, and within a 32" radius measured level with the toilet ledge, as shown.



**NOTICE:** Do not connect this product to an extension cord.

**NOTICE:** Follow all electrical codes.

## INSTALL VENT KIT

- Shut off the water supply to the toilet, and flush the toilet to relieve the water pressure.
- Carefully remove the tank cover.

- Remove and discard the existing refill tube from the float valve.
- Position the snorkel assembly over the overflow tube, and hang the snorkel assembly on the back wall of the tank.
- Adjust the snorkel assembly from side-to-side and front-to-back to prevent interference with the trip lever linkage and float mechanism.

- Insert the replacement refill tube into the hole at the end of the snorkel assembly. Connect the refill tube to the float valve and to the overflow tube. Make sure the refill tube points directly down into the overflow tube to ensure proper toilet operation.
- Turn on the water supply to the toilet. Allow the toilet tank to fill to shut off. Adjust the water level to the marked water line, if necessary.

- Install the power unit to the snorkel assembly by first engaging the power unit to the clips on the snorkel assembly. Then press down on the power unit to snap it in place.
- Route the power cable between the clips, and plug the AC adapter into a properly-grounded, grounding-type receptacle which is protected by a GFCI.
- Carefully re-install the tank cover.

## **CALL US FOR HELP – 1-800-4-KOHLER**

### **REQUESTING SERVICE**

Here's what you need to do if you require service:

First review the installation instructions to ensure correct installation. If you are unable to correct the problem, call our Customer Service Department for direct help. In the United States dial **1-800-4-KOHLER**.



**KOHLER**®

