

Konica Minolta is a trademark of Konica Minolta Holdings, Inc. DiMAGE is a trademark or registered trademark of Konica Minolta Camera, Inc. USB DIRECT-PRINT is a trademark of Seiko Epson Corporation. PictBridge and the PictBridge logo are trademarks of the Camera & Imaging Products Association (CIPA). All other brand and product names are trademarks or registered trademarks of their respective owners.



DiMAGE Z1

AMENDMENTS

HOW TO USE

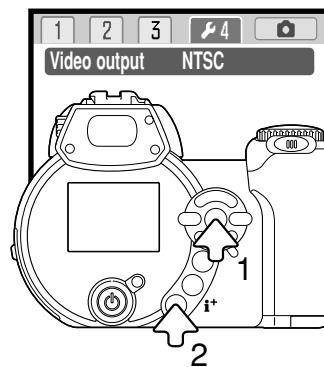


E INSTRUCTION MANUAL

BEFORE YOU BEGIN

Please take the time to read through this instruction manual so you can enjoy all the features of your new camera. This instruction manual does not provide instruction in printer operation. Refer to the manual that was supplied with the printer. This manual assumes you understand the basic operation of the camera described in the camera's instruction manual.

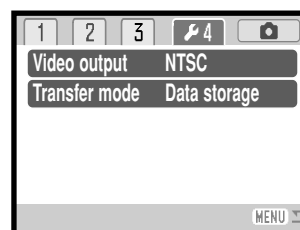
ACTIVATING PictBridge



If PictBridge is not active in the camera, section 4 of the setup menu will display only one menu option: video output.

With the section 4 tab highlighted, press the hold the central button of the controller (1), and then press and hold the information (+) button (2) until the transfer-mode option appears.

SETUP MENU AMENDMENTS



When PictBridge is active, the transfer-mode option is displayed in section 4 of the setup menu. This amends page 85 in the DiMAGE Z1 instruction manual. Two transfer modes are available:

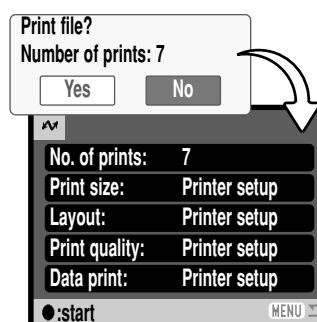
Data storage - to transfer data between the camera and computer. This option must be selected when moving image files to the computer, using the camera with the DiMAGE Viewer software, or printing with USB DIRECT PRINT.

PictBridge - to print images with a PictBridge compatible printer.

USB DIRECT-PRINT AND DPOF PRINT NOTES

To use USB DIRECT-PRINT, the transfer-mode option in section 4 of the setup menu must be set to data storage. To make prints, read the instructions on pages 102 - 104 of the camera manual.

DPOF file created with the camera can be printed directly from the camera with a DPOF compatible printer. See page 105 in the camera manual. The DPOF-print option on the menu is switched from section 2 to section 3.



When using USB DIRECT-PRINT or DPOF print, the print-file message described in the camera manual has been replaced with the print-setup confirmation screen. Press the central button of the controller to begin printing, or press the menu button to return to the main screen.

Print-setup confirmation screen



KONICA MINOLTA

KONICA MINOLTA CAMERA, INC.

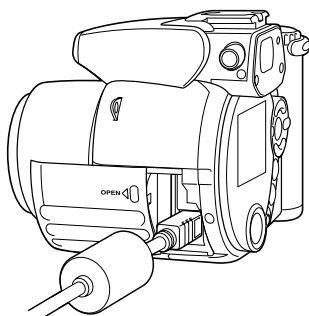
© 2003 Konica Minolta Camera, Inc. under the Berne Convention and the Universal Copyright Convention.

Printed in Japan

1AG6P1P1853--
9222-2724-23 SY-A309

CONNECTING TO A PRINTER

Confirm the transfer-mode option in section 4 of the setup menu is set to PictBridge. Connect the camera to a PictBridge compatible printer using the camera's USB cable. The larger plug on the cable is connected to the printer. Open the card chamber door and insert the smaller plug of the cable into the camera. Turn the camera on; the PictBridge screen is displayed automatically.



SELECTING PRINT IMAGES

Individual still images can be selected for printing on the PictBridge screen. For other printing options, see the menu navigation section.

Number of prints in the print run.

Strike through indicates unprintable file type.

Number of copies of the displayed image.

Use the left/right keys of the controller to display the image to be printed.

Press the up key to select the number of copies to be printed. To deselect an image for printing, press the down key until the number of copies reaches zero.

Repeat the previous steps until all the images to be printed are selected. Press the central button of the controller to continue.

The number of prints in the print run are displayed as well as the print parameters selected with the menu. See the menu navigation section for more information. Press the central button of the controller to begin printing, or press the menu button to return to the PictBridge screen.

Once printing begins, the operation can be canceled by pressing the center of the controller. The printing-finished message indicates the end of the operation; turn the camera off to end the routine.

The information (i+) button switches between the single frame and index playback formats on the PictBridge screen. Enlarged playback, activated with the zoom lever, can be used to examine image files on the screen.

NAVIGATING THE PictBridge MENU

Pressing the menu button (1) turns the menu on and off. The four-way keys of the controller (2) move the cursor in the menu. Pressing the central button of the controller enters a setting.

MENU Activate the menu with the menu button.

Use the left/right keys of the controller to highlight the appropriate menu tab; the menu changes as the tabs are highlighted.

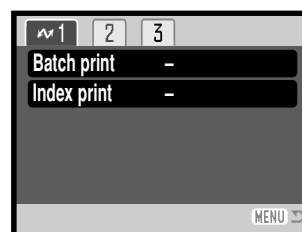
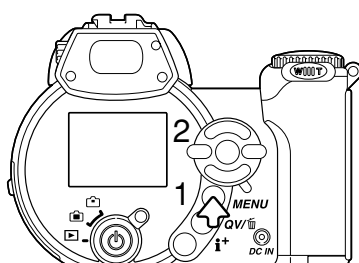
Use the up/down keys to scroll through the menu options. Highlight the option whose setting needs to be changed.

With the menu option highlighted, press the right controller key; the settings are displayed with the current setting highlighted. If "Start" is displayed, press the center of the controller to continue.

Use the up/down keys to highlight the new setting.

Press the central button of the controller to select the highlighted setting.

Once a setting has been selected, the cursor will return to the menu options and the new setting will be displayed. To return to the PictBridge screen, press the menu button. Read the following sections on information on the menu options.



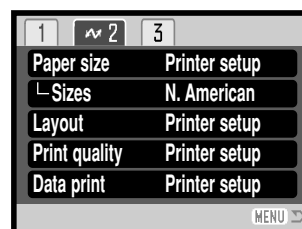
The options that can be changed vary with the printer.

Batch print

Batch print in section 1 selects all still images on the memory card for printing. When the all-frames option is selected, a screen opens so the number of copies of each image can be specified. The reset option cancels all changes made to the print selection screen.

Index print

An index print of all still images on the memory card can be made. The quality and size of the print can be specified with the camera menu. The number of images per page varies with the printer. The print-setup confirmation screen is displayed before the print routine starts.



Paper size

The paper size of the print can be specified. The printer-setup option uses the size set with the printer. The sizes option should be set first, see below.

Sizes

To set paper sizes depending on region. This changes the paper-size option to common sizes used in particular areas.

Layout

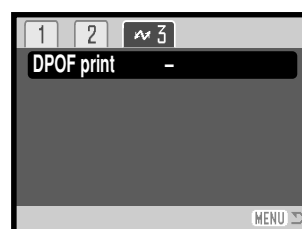
The layout of the print can be set. The printer-setup option uses the layout parameters of the printer. Borderless printing can be specified with the camera as well as the number of images per page.

Print quality

The print quality can be set. The printer-setup option uses the quality set with the printer. The fine quality can be specified with the camera.

Data print

Data can be printed with the image. The printer-setup option uses the options set with the printer. The date of capture and the file name can be selected for printing. Data printing can also be disabled with the menu.



DPOF print

DPOF print in section 3 allows still images and an index print selected with the DPOF printing options in section 2 of the playback menu to be printed from a DPOF compatible PictBridge or Epson USB DIRECT-PRINT printer. Simply select the start option from the menu to begin the routine, see page 105 in the camera manual for more information. The transfer-mode option in section 4 of the setup menu must be set to data storage to use DPOF print.

Printing Notes

The following are the dimensions for postcard, L, and 2L paper sizes in both millimeters and inches for your reference:

Postcard	100 X 148mm	3.9 X 5.9 in.
L	89 X 127mm	3.5 X 5.0 in.
2L	127 X 178mm	5.0 X 7.0 in.

NOTES ON PRINTING ERRORS

If a minor problem occurs during printing, such as the paper runs out, follow the procedure recommended for the printer; no action is required for the camera. If a major printer error occurs, press the center of the controller to end the routine. Refer to the printer manual for the correct procedure for the printer problem. Check the printer settings before starting again and deselect the images that were printed.