
KPC680 User Guide (DRAFT)

Need
Graphic

Trademarks and Service Marks

Verizon Wireless is a trademark of Verizon Trademark Services LLC, and the other trademarks, logos, and service marks (collectively the "Trademarks") used in this help file are the property of Verizon Wireless or their respective owners. Nothing contained in this help file should be construed as granting by implication, estoppel, or otherwise, a license or right of use of Verizon Wireless or any other Trademark displayed in this help file without the written permission of Verizon Wireless or its respective owner.

VZAccessSM is a service mark of Verizon Wireless

Quick 2 NetSM is a service mark of Verizon Wireless.

QuickLink® is a registered trademark of Smith Micro Software, Inc.

Microsoft®, Hotmail, MSN®, ActiveSync®, Outlook®, Outlook Express® and Windows® are either registered trademarks or trademarks of Microsoft® Corporation in the United States and/or other countries.

Netscape and the Netscape N and Ship's Wheel logos are registered trademarks of Netscape Communications Corporation in the U.S. and other countries.

AOL® is a registered trademark of America Online, Inc.

Aironet®, Cisco®, Cisco Systems® are registered trademarks of Cisco Systems, Inc. and/or its affiliates in the U.S. and certain other countries.

HotSync® is a registered trademark of Palm, Inc.

Mac OS® is a registered trademark of Apple Computer, Inc.

Kyocera® is a registered trademark of Kyocera Corporation.

The names of actual companies and products mentioned in this user guide may be the trademarks of their respective owners.

Copyright 2007, Verizon Wireless. All rights reserved.

Copyright 2007, Kyocera Wireless Corp. All rights reserved.

82-G1876-1EN, Rev. 001-DRAFT

Contents

Getting Started	1
Checklist	1
About your ExpressCard	1
Getting to Know your Card	1
Power Management	1
Other Features and Benefits	1
Care and maintenance	2
About VZAccess Manager	2
About this Guide	2
KPC680 Card Use	3
Using Card for First Time	3
Extend Antenna	3
Reattach Antenna	3
Status Lights	3
Removable Cap	4
Regulatory Information	5
Safety Information	6
Important Notice	6
Safety and Hazards	6
Medical devices	6
Consumer Limited Warranty	8

Getting Started

Congratulations and thank you for purchasing the Kyocera KPC680 ExpressCard. The KPC680 is a dual-band 1X EVDO RevA ExpressCard that enables you to communicate wirelessly from your laptop at high speeds. Using the Kyocera KPC680 together with supported Verizon Wireless services provides you with a nationwide, mobile wireless data solution that gives you the coverage and speed you need.

Note: Before using the KPC680, please be sure you review the [“Safety Information” on page 6](#).

Checklist

The following items are included in your kit:

- The KPC680 Wireless ExpressCard Modem
- KWC Installation CD, which contains the software, KPC680 User Guide, Verizon Wireless VZAccess Manager User Guide, and KPC680 Interactive User Guide
- Quick Reference Guide

About your ExpressCard

The KPC680 is a dual-band 1X EVDO RevA ExpressCard modem designed to fit into a ExpressCard slot available on most new notebook PCs. This uniquely designed card allows you to connect to the Internet, send and receive email efficiently, connect to your company’s network, and maximize productivity when away from the office.

Note: KPC680 supports SMS, but does not support voice services.

Getting to Know your Card

Your card has the following parts:

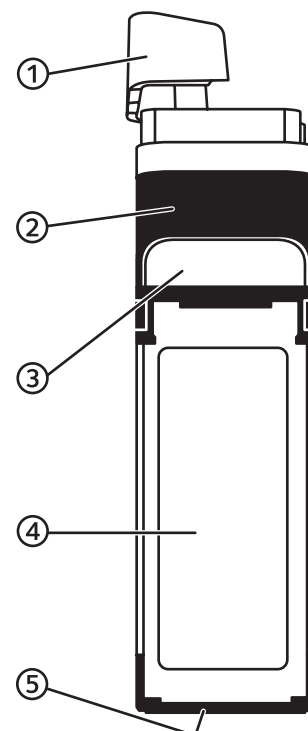
1. Movable antenna.
2. Removable cap that covers connectors which can be used for antenna extensions.
3. LED service status light.
4. ExpressCard.
5. Computer interface connector.

Power Management

KPC680 is designed to take advantage of the power management and system overhead benefits offered by the standard 32-bit CardBus electrical interface that minimizes power consumption.

Other Features and Benefits

- ExpressCard slot format
- Supports North American PCS (1900 MHz) and Cellular (800 MHz) bands
- Based on the QUALCOMM MSM6800 chipset
- Supports 3G network technologies



- Optimized data rates of up to 3.1 Mbps in receive mode and up to 1.8 Mbps in transmit mode
- Equipped with all necessary host software and drivers for various operating systems
- Works at lower battery voltage and operates at a greater speed than standard ExpressCard interface
- Memory (FLASH/RAM): 64/64 MB
- Verizon Wireless BroadbandAccess compatible (download speeds 3.1 Mb/s max, 300-500 kbps typical)
- Verizon Wireless NationalAccess compatible (60-80 kbps)
- VZ Access Manager compatible
- Integrated dual band main antenna and a dual-band chip-based diversity antenna
- Supports external accessory antenna for enhanced diversity performance
- LED service indicator/Diagnostic indicator
- Supports 2-way Short Message Service (SMS)
- Supports use with Mac OS 10.3.x or higher

Care and maintenance

- When not in use, fold the antenna down and store where the card can be protected from being crushed or broken.
- Store your KPC680 in a dry and clean place. Storage temperature: -30° to 65°C [86° to 149°F].
- Do not apply adhesive labels to KPC680. This may cause the card to jam inside the ExpressCard slot of your PC.
- The antenna extends in the 90° angle. Do not force or hyper-extend the antenna. This may cause it to pop out.
- KPC680 easily fits into the ExpressCard slot. Forcing KPC680 into the ExpressCard slot may cause considerable damage.
- Protect your card from liquids, dust and excessive heat.

About VZAccess Manager

VZAccess Manager provides a one-touch connection to the wireless Internet. It has built-in support for WWAN and Wi-Fi devices to give you the flexibility you need while you are mobile to connect your laptop to the Internet wirelessly. For more information regarding VZAccess Manager, please refer to the Verizon Wireless VZAccess Manager User Guide located on the Installation CD.

About this Guide

This user guide contains the the following:

- Proper card use.
- Regulatory notice.
- Safety information.
- Warranty.

Before you can begin using the KPC680 ExpressCard, it is essential that you follow the proper instructions for software installation. Please refer to the Verizon Wireless VZAccess Manager User Guide located on the Installation CD for complete instructions on the use of VZAccess Manager. You must first load the software provided on the CD-ROM

included in the kit before you insert the KPC680 into your notebook PC. This initial setup process takes just a few minutes and you'll soon be on your way to wireless freedom.

KPC680 Card Use

Using Card for First Time

When you use your KPC680 ExpressCard for the first time, be sure to do the following.

1. Install the software from your KWC Installation CD FIRST. During the installation, you will be asked to insert the KPC680 ExpressCard.
2. Locate the ExpressCard slot on your Notebook PC.
3. Insert your KPC680 ExpressCard into your notebook's PC ExpressCard slot with the label facing up.
4. Turn the antenna clockwise. It will unscrew and extended to a 90° angle. Do not push antenna to a further than 90°. Use in any other configuration may exceed FCC RF exposure limits.

Recognition of your card could take a few minutes while your computer recognizes the new software drivers that have been installed.

5. Complete the software installation.

Please refer to the Verizon Wireless VZAccess Manager User Guide located on the Installation CD for these complete software instructions for installation and use of VZAccess Manager.

Extend Antenna

The antenna on your KPC680 ExpressCard is designed to unscrew to provide the proper extension and alignment. To properly extend your antenna:

1. Insert your KPC680 ExpressCard into your notebook's PC ExpressCard slot with the label facing up.
2. Turn the antenna clockwise. It will unscrew from the back of the card and can extend to a 90° angle. You can position the antenna from 0° to 90°. Do not push antenna to a further than 90°, it will unscrew from the card.

Reattach Antenna

If the your KPC680 card's antenna unattaches from the card, do the following to reattach it.

1. Place the antenna at a 90° angle to the card.
2. Attach the antenna to the exposed metal prong.
3. Press the antenna in and turn counterclockwise. The antenna will screw into the back of the card.



Status Lights

Your KPC680 ExpressCard has a status light to indicate what state it is in. The light is shown through the white panel at the base of the card.

The status light reflects the following states:

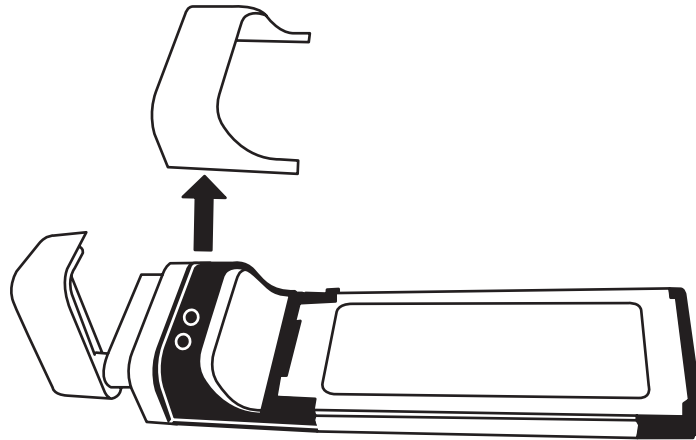
- **Steady blue light.** Your KPC680 card is ready for use, but it is not connected to the Internet.

- **Quick-blinking blue light.** Your KPC680 card is connected to the Internet and is active. You are using the connection.
- **Slow-blinking blue light.** Your KPC680 card is connected to the Internet and but is dormant. You are not using the connection.
- **Steady red light.** Your KPC680 card is not ready for use. This light may appear while drivers are being installed and registered. It should not appear for a long time.

Removable Cap

Your KPC680 ExpressCard has a removable cap that covers connectors that can be used for accessories, such as antenna extensions. To remove the cap:

1. Find the grooves on the bottom of the card. These are located even with the status light.
2. Use the grooves to remove the removable cap from the card. You will see the connector exposed.



To replaced the cap, line up the grooves and snap the cap back on.

Regulatory Information

This Section outlines important regulatory notices concerning your new KPC680 ExpressCard.

FCC ID: OVFKWC-KPC680

FCC Notice: This device complies with part 15 of the FCC rules. Operation is subject to the following two conditions:(1) This device may not cause harmful interference, and (2) this device must accept any interference received, including interference that may cause undesired operation.

Warning: The user is cautioned that changes or modifications not expressly approved by the party responsible for compliance could void the warranty and users' authority to operate the equipment.

Warning: This equipment has been tested and found to comply with the limits for a Class B digital device, pursuant to part 15 of the FCC Rules. These limits are designed to provide reasonable protection against harmful interference in a residential installation. This equipment generates, uses and can radiate radio frequency energy and, if not installed and used in accordance with the instructions, may cause harmful interference to radio communications. However, there is no guarantee that interference will not occur in a particular installation. If this equipment does cause harmful interference to radio or television reception, which can be determined by turning the equipment off and on, the user is encouraged to try to correct the interference by one or more of the following measures.

- Reorient or relocate the receiving antenna.
- Increase the separation between the equipment and receiver.
- Connect the equipment into an outlet on a circuit different from that to which the receiver is connected.
- Consult the dealer or an experienced radio/TV technician for help.

Warning: This device has been tested for compliance with FCC RF exposure limits in the laptop computers configurations with side ExpressCard slot, and can be used in laptop computers with substantially similar physical dimensions, construction, and electrical and RF characteristics. This ExpressCard must not be co-location or operated in conjunction with any other antenna or transmitter. Use of this device in any other configuration may exceed the FCC RF Exposure compliance limit.

Warning: This device has been approved for mobile operation. To assure optimal performance and maintain compliance with the FCC RF exposure requirements, always adhere to the following conditions:

- The external antenna gain including cable loss must not exceed 6 dBi in Cellular and PCS bands.
- User must maintain minimum 20 cm spacing between external antenna(s) and all persons during wireless modes of operation.

If you have purchased this product under a United States Government contract, it shall be subject to restrictions as set forth in subparagraph (C)(1)(ii) of Defense Federal Acquisitions Regulations (DFARs) Section 252.227-7013 for Department of Defense contracts, and as set forth in Federal Acquisitions Regulations (FARs) Section 52.227-19 for civilian agency contracts or any successor regulations. If further government regulations apply, it is your responsibility to ensure compliance with such regulations.

Safety Information

This section outlines important liability and safety guidelines concerning your new ExpressCard.

Important Notice

Because of the nature of wireless communications, transmission and reception of data can never be guaranteed. Data may be delayed, corrupted (i.e., have errors) or totally be lost. Although significant delays or losses of data are rare when wireless devices such as the ExpressCard-Model KPC680 CDMA modem are used in a normal manner with a well constructed network, they should not be used in situations where failure to transmit or receive data could result in damage of any kind to the user or another party, including but not limited to personal injury, death or loss of personal property.

No responsibility for damages of any kind resulting from delays or errors in data transmitted or received using the ExpressCard-Model KPC680 CDMA modem, or for failure of the ExpressCard-Model KPC680 to transmit or receive such data.

Safety and Hazards

Blasting Areas and Hospitals—Do not operate the ExpressCard-Model KPC680 in areas where blasting is in progress, where explosive atmospheres may be present, near medical equipment, life support equipment, or any equipment which may be susceptible to any form of radio.

Aircraft—FCC regulations prohibit using your KPC680 on a plane that is in the air. Do not operate the ExpressCard in any aircraft whether the aircraft is on the ground or in flight. In aircraft, the ExpressCard must be powered off. When operating it can transmit signals that could interfere with various onboard systems.

Vehicles—RF signals may affect improperly installed or inadequately shielded electronic systems in motor vehicles. Check with the manufacturer of the device to determine if it is adequately shielded from external RF energy.

Air bags—If your vehicle has an air bag, DO NOT place installed or portable equipment or other objects over the air bag or in the air bag deployment area. If equipment is not properly installed, you and your passengers risk serious injury.

Medical devices

Pacemakers—Warning to pacemaker wearers: ExpressCard, when in the 'on' position, may interfere with pacemakers. The ExpressCard should be kept at least 15 cm (6 inches) away from the pacemaker to reduce risk. If you have any reason to suspect that interference is taking place, turn off your phone immediately. Contact your cardiologist for more information.

Other medical devices—If you use any other personal medical device, consult the manufacturer of the device to determine if it is adequately shielded from external RF energy. Your physician may be able to help you obtain this information.

In health care facilities—Turn your ExpressCard off in health care facilities when instructed. Hospitals and health care facilities may be using equipment that is sensitive to external RF energy.

Posted facilities—Turn your ExpressCard off in any facility when posted notices require you to do so.

Potentially explosive atmospheres—Turn off your ExpressCard when you are in any area with a potentially explosive atmosphere. Obey all signs and instructions. Sparks in such areas could cause an explosion or fire, resulting in bodily injury or death. Areas with a potentially explosive atmosphere are often, but not always, clearly marked. They include:

- fueling areas such as gas stations
- below deck on boats

-
- transfer or storage facilities for fuel or chemicals
 - vehicles using liquefied petroleum gas, such as propane or butane
 - areas where the air contains chemicals or particles such as grain, dust, or metal powders
 - any other area where you would normally be advised to turn off your vehicle engine

Consumer Limited Warranty

Kyocera Wireless Corp. (“KYOCERA”) offers you a limited warranty that the enclosed product or products (the “Product”) will be free from defects in material and workmanship for a period that expires one year from the date of sale of the Product to you, provided that you are the original end-user purchaser of the Product and provided that your purchase was made from an authorized supplier. Transfer or resale of a Product will automatically terminate warranty coverage with respect to that Product. This limited warranty is not transferable to any third party, including but not limited to any subsequent purchaser or owner of the Product.

KYOCERA shall, at its sole and absolute discretion, either repair or replace a Product (which unit may use refurbished parts of similar quality and functionality) if found by KYOCERA to be defective in material or workmanship, or if KYOCERA determines that it is unable to repair or replace such Product, KYOCERA shall refund the purchase price for such Product, provided that the subject Product (i) is returned, with transportation prepaid, to a KYOCERA authorized service center within the one year warranty period, and (ii) is accompanied by a proof of purchase in the form of a bill of sale or receipted invoice which evidences that the subject Product is within the one year warranty period (“Proof of Purchase”). After the one year warranty period, you must pay all shipping, parts and labor charges.

This limited warranty does not cover and is void with respect to the following: (i) any Product which has been improperly installed, repaired, maintained or modified; (ii) any Product which has been subjected to misuse (including any Product used in conjunction with hardware electrically or mechanically incompatible or used with accessories not approved by KYOCERA), abuse, accident, physical damage, abnormal operation, improper handling, neglect, exposure to fire, water or excessive moisture or dampness or extreme changes in climate or temperature; (iii) any Product operated outside published maximum ratings; (iv) cosmetic damage; (v) any Product on which warranty stickers or Product serial numbers have been removed, altered, or rendered illegible; (vi) cost of installation, removal or reinstallation; (vii) signal reception problems (unless caused by defects in material and workmanship); (viii) damage the result of fire, flood, acts of God or other acts which are not the fault of KYOCERA and which the Product is not specified to tolerate, including damage caused by mishandling, shipping and blown fuses; (ix) consumables (such as fuses); or (x) any Product which has been opened, repaired, modified or altered by anyone other than KYOCERA or a KYOCERA authorized service center.

USE ONLY KYOCERA APPROVED ACCESSORIES WITH KYOCERA PHONES. USE OF ANY UNAUTHORIZED ACCESSORIES MAY BE DANGEROUS AND WILL INVALIDATE THE PHONE WARRANTY IF SAID ACCESSORIES CAUSE DAMAGE OR A DEFECT TO THE PHONE.

KYOCERA SPECIFICALLY DISCLAIMS LIABILITY FOR ANY AND ALL DIRECT, INDIRECT, SPECIAL, GENERAL, PUNITIVE, EXEMPLARY, AGGRAVATED, INCIDENTAL OR CONSEQUENTIAL DAMAGES, EVEN IF ADVISED OF THE POSSIBILITY THEREOF, WHETHER FORESEEABLE OR UNFORESEEABLE OF ANY KIND WHATSOEVER, INCLUDING BUT NOT LIMITED TO LOSS OF PROFITS, UNANTICIPATED BENEFITS OR REVENUE, ANTICIPATED PROFITS ARISING OUT OF USE OF OR INABILITY TO USE ANY PRODUCT (FOR EXAMPLE, WASTED AIRTIME CHARGES DUE TO THE MALFUNCTION OF A PRODUCT) OR CONTRIBUTION OR INDEMNITY IN RESPECT OF ANY CLAIM RELATED TO A PRODUCT.

REPAIR OR REPLACEMENT OF A DEFECTIVE PRODUCT OR REFUND OF THE PURCHASE PRICE RELATING TO A DEFECTIVE PRODUCT, AS PROVIDED UNDER THIS WARRANTY, ARE YOUR SOLE AND EXCLUSIVE REMEDIES FOR BREACH OF THE LIMITED WARRANTY, AND SUBJECT TO THIS WARRANTY, THE PRODUCTS ARE APPROVED AND ACCEPTED BY YOU “AS IS”. KYOCERA MAKES NO OTHER WARRANTIES, REPRESENTATIONS OR CONDITIONS OF ANY KIND, ORAL OR VERBAL, EXPRESS OR IMPLIED, STATUTORY OR OTHERWISE, WITH RESPECT TO THE PRODUCTS, INCLUDING BUT NOT LIMITED TO ANY IMPLIED WARRANTY OR CONDITION OF MERCHANTABILITY OR FITNESS FOR.

A PARTICULAR PURPOSE OR AGAINST INFRINGEMENT OR ANY IMPLIED WARRANTY OR CONDITION ARISING OUT OF TRADE USAGE OR OUT OF A COURSE OF DEALING OR COURSE OF PERFORMANCE.

NO DEALER, DISTRIBUTOR, AGENT OR EMPLOYEE IS AUTHORIZED TO MAKE ANY MODIFICATION OR ADDITION TO THIS WARRANTY.

Some jurisdictions do not allow the exclusion or limitation of incidental or consequential damages, or allow limitations on how long an implied warranty lasts, so the above limitations or exclusions may not apply to you. This limited warranty gives you specific legal rights, and you may also have other rights which vary from jurisdiction to jurisdiction.

For warranty service information, please call the following telephone number from anywhere in the continental United States and Canada: 1-800-349-4478 or 858-882-1401; or contact KYOCERA at the following address:

10300 Campus Point Drive, San Diego, California, 92121-1582, USA, Attention: Technical Support.

DO NOT RETURN YOUR PRODUCTS TO THE ABOVE ADDRESS. Please call or write for the location of the Kyocera Wireless Corp. authorized service center nearest you and for procedures for obtaining warranty service.