

December 3, 2014
TÜV SÜD Zacta Ltd.
5-4149-7, Hachimanpara, Yonezawa-shi,
Yamagata, 992-1128 Japan

DECLARATION of IDENTITY

KYY10 is the changed configuration model of KYY06.
The changed part is as follows.

1. The shape of main antenna holder

Additionally, difference of KYY06 / KYY10 is added to next page.

Sincerely,



Yoshikazu Yamamoto
Manager of Quality Assurance Dept.

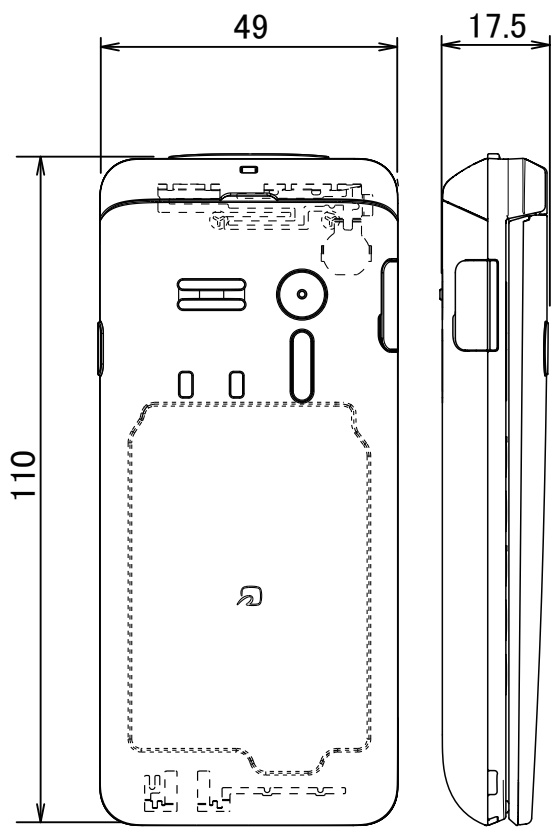
The difference between KYY06 (FCC ID:JOYKYY06) and similarity model: KYY10

ITEM	KYY06(Base model)	KYY10
Dimensions	110 x 49 x 17.5[mm] See Page2	111.8 x 49.3 x 17.7[mm] See page2
Main Antenna * ₁	See page3	See page3
Bluetooth Antenna * ₂	See page4	See page4
Antenna Gain	See page5	See page5

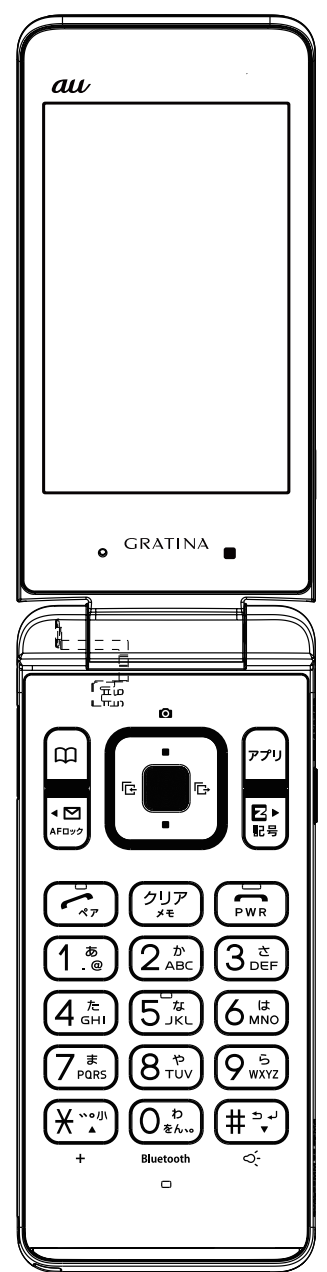
*₁ Main Antenna change is only holder shape.

*₂ KYY10 Bluetooth antenna is same as KYY06.

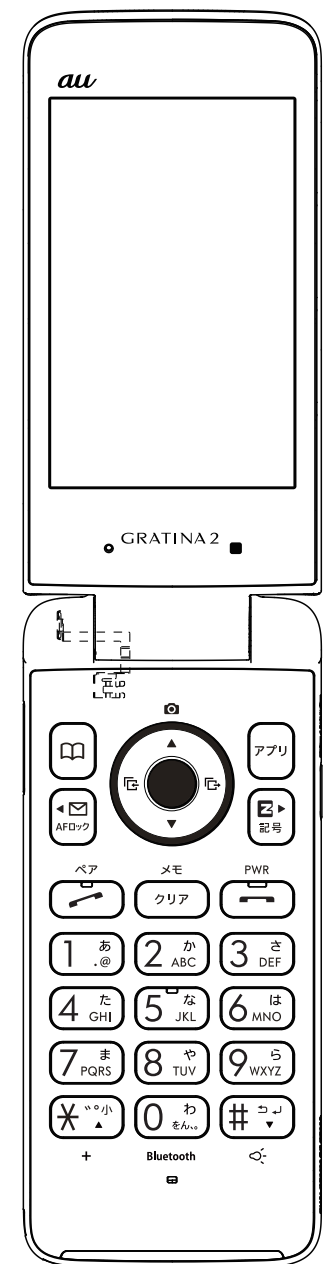
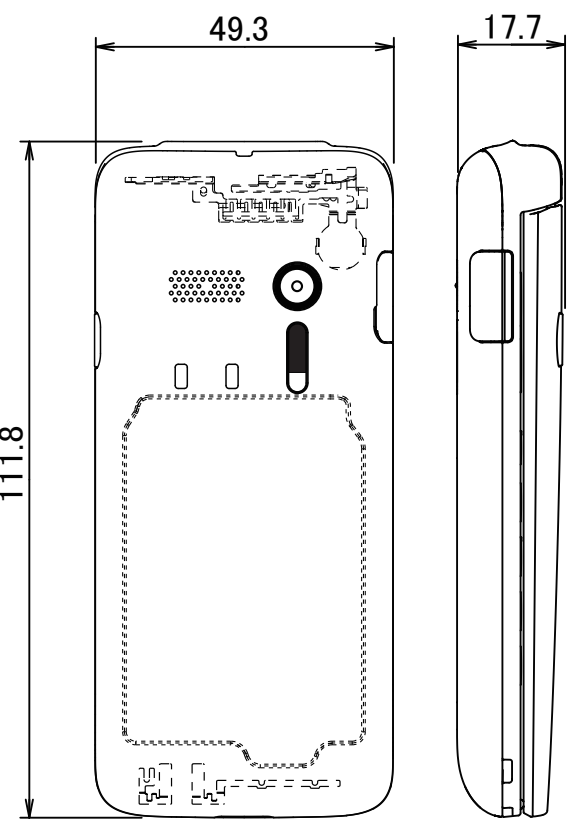
All Printed Circuit Board (PCB) and installed components are the same with KYY06.



KYY06(Base Model)



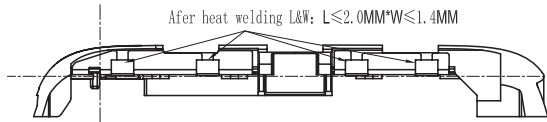
KYY10



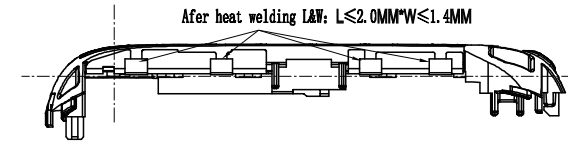
KYY06(Base Model)

KYY10

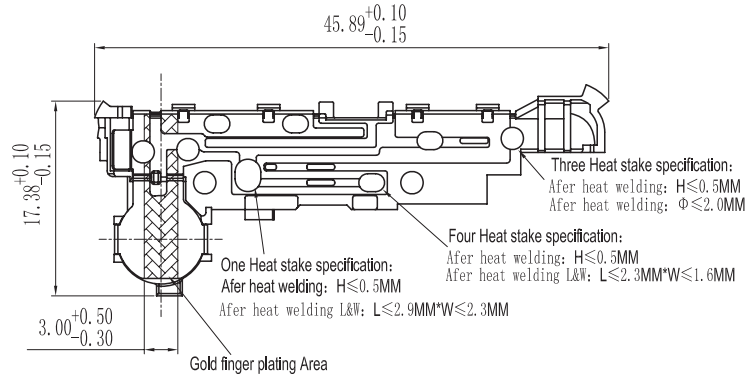
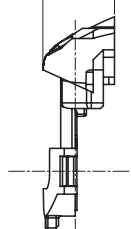
Four Heat stake specification:
 After heat welding: $H \leq 0.5\text{MM}$
 After heat welding L&W: $L \leq 2.0\text{MM} * W \leq 1.4\text{MM}$



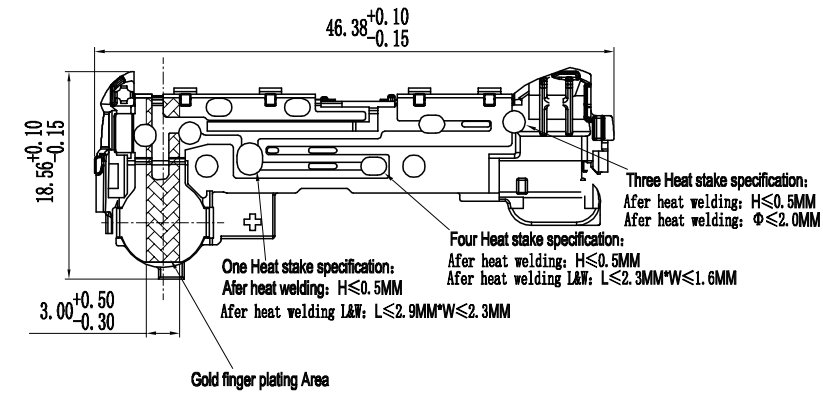
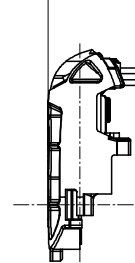
Four Heat stake specification:
 After heat welding: $H \leq 0.5\text{MM}$
 After heat welding L&W: $L \leq 2.0\text{MM} * W \leq 1.4\text{MM}$



6.39 ± 0.10

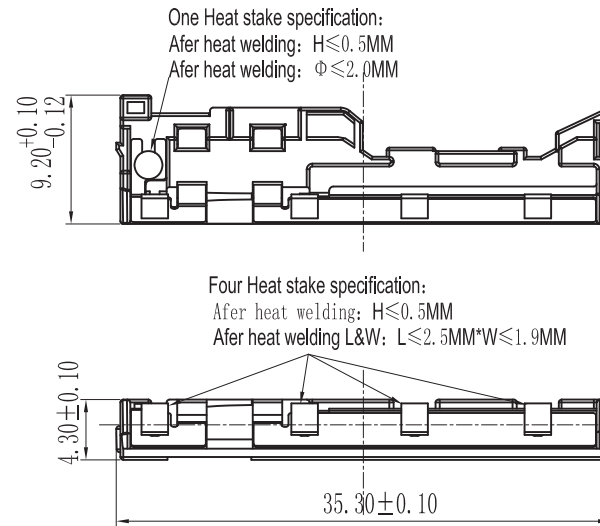


8.45 ± 0.10



KYY06(Base Model)

KYY10



SAME PART

KYY06

Antenna Gain

CDMA	1dBi
------	------

Bluetooth	0dBi
-----------	------

KYY10

Antenna Gain

CDMA	0.2dBi
------	--------

Bluetooth	-0.7dBi
-----------	---------