



MUSIC  
THAT  
MOVES®



COMPUTEX  
d&i awards 2017  
by 

# ROCK STAR

## User Manual

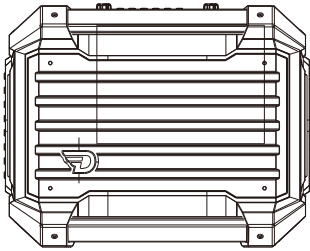


Dreamwave Audio USA, LLC  
[www.godreamwave.com](http://www.godreamwave.com)

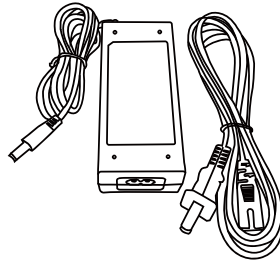
# CONTENTS

What's in the box .....	1
Top Panel .....	2
Rear Panel .....	3
Instruments Connections .....	4
2.4G Wireless Multi-Pairing .....	5
Bluetooth/Charging.....	6
LED Indicator .....	7
Mobile APP .....	8
Strap Assembly .....	9
Specifications .....	10-13
Troubleshooting .....	14

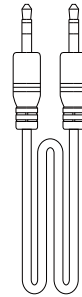
# What's in the box



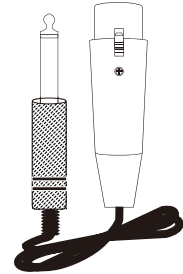
• RockStar \* 1



• AC Adaptor \* 1



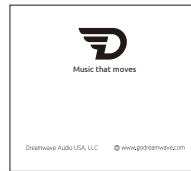
• AUX Cable \* 1



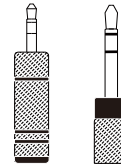
• XLR Microphone Cable \* 2



• User Manual \* 1



• Warranty Card \* 1



• AUX Connector Converter  
3.5mm in / 6.5mm out \* 1  
6.5mm in / 3.5mm out \* 1

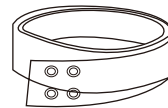
## Strap Assembly Pack



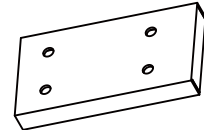
• Screw \* 8



• L-shape screwdriver \* 1

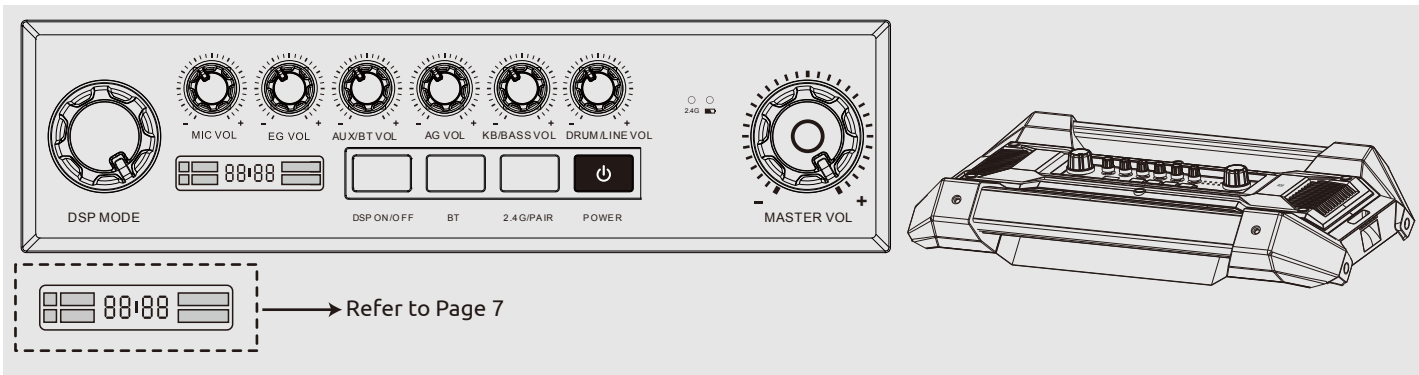


• Strap \* 1

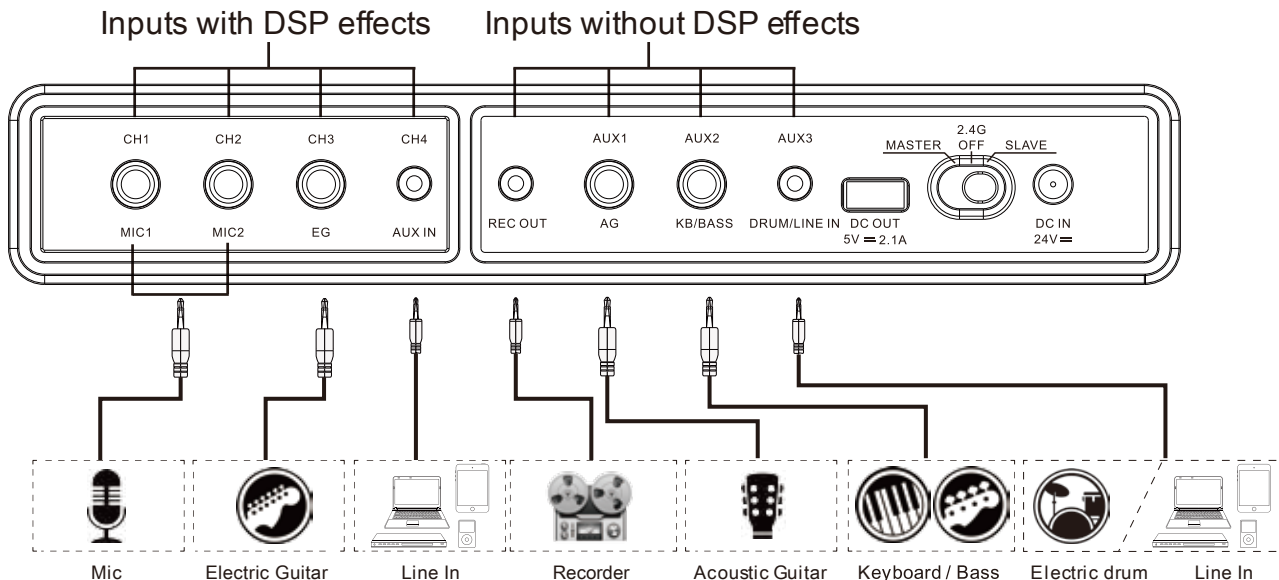


• Metal plate \* 2

# Top Panel



<b>DSP MODE:</b>	Short press to select Default DSP or User DSP; Turn the knob to select DSP sound effects
<b>MIC VOL:</b>	Adjust volume of Microphone for Input CH1 / CH2
<b>EG VOL:</b>	Adjust volume of Electric Guitar for Input CH3
<b>AUX/BT VOL:</b>	Adjust volume of Audio source for Input CH4
<b>AG VOL:</b>	Adjust volume of Acoustic Guitar for Input AUX 1
<b>KB/BASS VOL:</b>	Adjust volume of Keyboard or Bass for Input AUX 2
<b>DRUM/LINE VOL:</b>	Adjust volume of Drum or Audio source for Input AUX 3
<b>MASTER VOL:</b>	Turn the knob to adjust volume for the audio system
<b>DSP ON/OFF:</b>	Press to turn On/Off DSP mode
<b>BT:</b>	Press and hold for 3 seconds to search for Bluetooth pairing; While playing via Bluetooth devices, short press to Pause/Play.
<b>2.4G/PAIR:</b>	Connect or disconnect the MASTER and SLAVE speakers via 2.4G (Refer to Page 5)
<b>POWER:</b>	Turn On/Off the RockStar

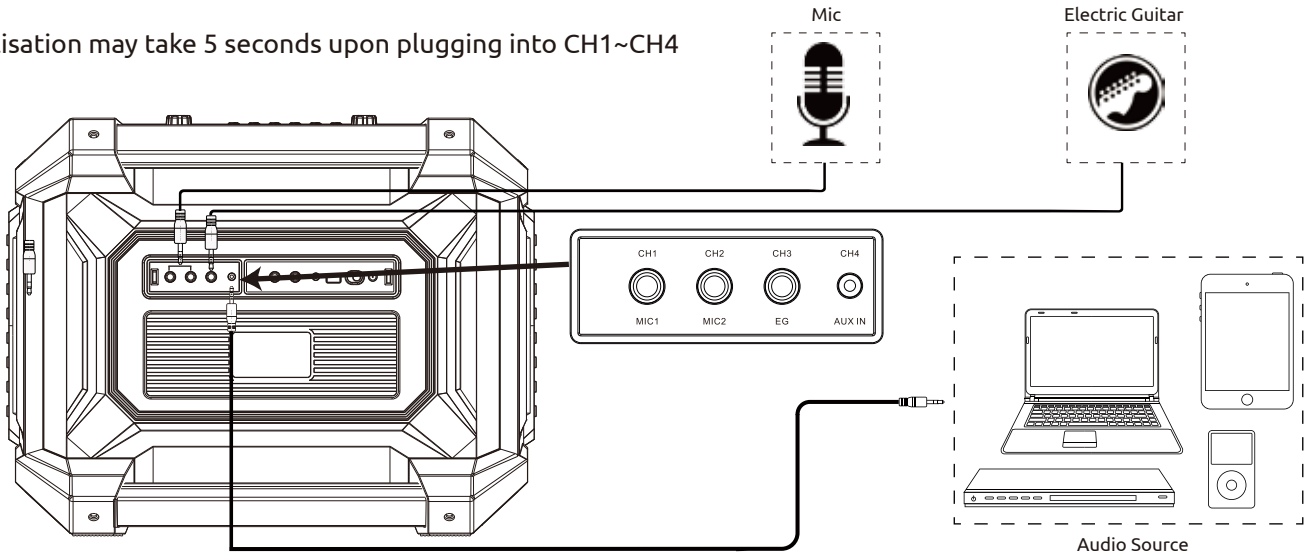


Audio Inputs			
Input	Function	Type of Jack	Sensitivity of 1KHz
CH1	Mic	6.5mm, Mono	-34dBV
CH2	Mic	6.5mm, Mono	-34dBV
CH3	Electric Guitar	6.5mm, Mono	-20dBV
CH4	AUX in / Audio source	3.5mm, Stereo	-14dBV
REC OUT	Recorder	3.5mm, Mono	
AUX1	Acoustic Guitar	6.5mm, Mono	-14dBV
AUX2	Keyboard or Bass	6.5mm, Stereo	-14dBV
AUX3	Line in / Electric Drum	3.5mm, Stereo	-9dBV
Others			
DC OUT 5V/2.1A	Built-in power bank for charging mobile devices, output 5V/2.1A (Refer to Page 6)		
2.4G Switch	2.4G Wireless pairing for Master and Slave RockStar(Refer to Page 5 )		
DC IN 24V	External Power Supply, AC100-240V, 50/60Hz Output 24V/4A (Refer to Page 6 )		

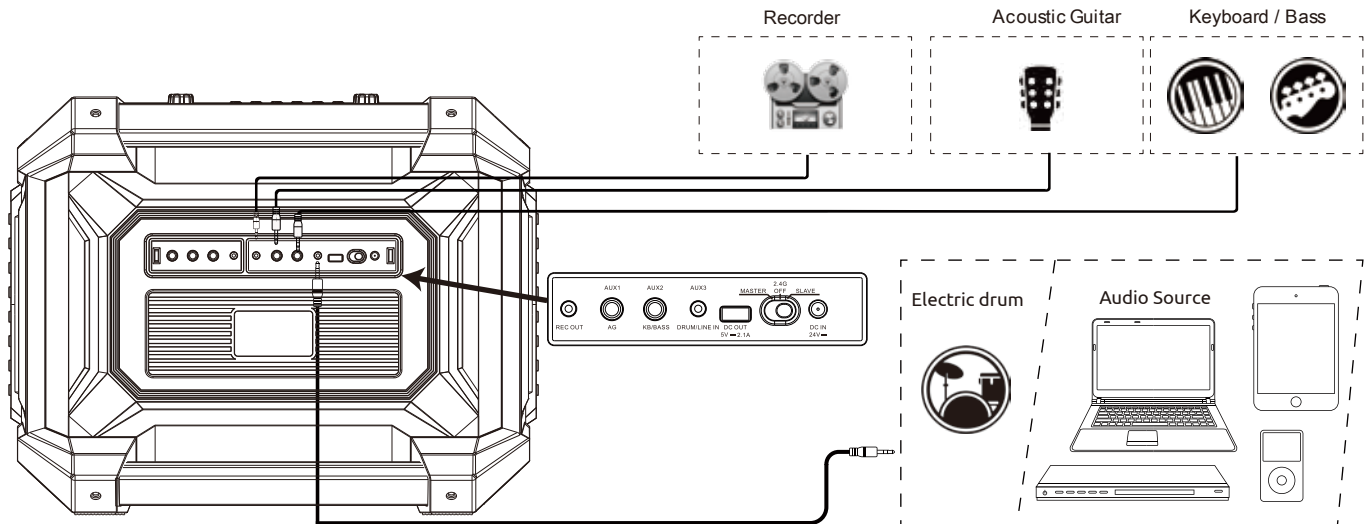
\*For optimum result, Stomp-box or Guitar effects pedal is recommended for connecting Electric Guitar to RockStar

# Inputs with DSP effects

\*Initialisation may take 5 seconds upon plugging into CH1~CH4

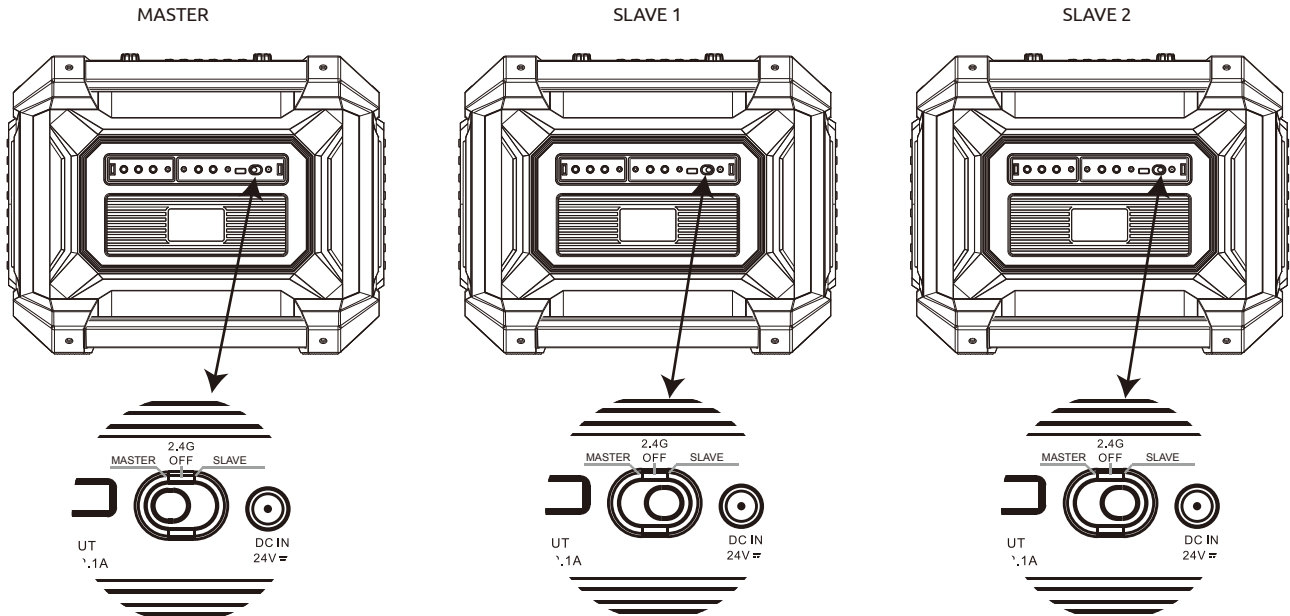


# Inputs without DSP effects



## 2.4G Wireless Multi-Pairing

\* More than one piece RockStar can be set as SLAVE speaker, within the 10M distance wireless range from the MASTER speaker.



- Step 1. Choose one RockStar as Master speaker, turn it on and switch to MASTER, press button "2.4G/PAIR" for 3 seconds, LED "2.4G" (Refer to Page 7) quick flash indicating searching for Slave speakers.
- Step 2. Connect SLAVE 1 : Turn on the second RockStar and switch to SLAVE mode, press button "2.4G/PAIR" for 3 seconds, pairing complete automatically after 3~5 second reaction.
- Step 3. Connect SLAVE 2: Press MASTER speaker's "2.4G/PAIR" button for 3 seconds, then turn on the third RockStar and switch to SLAVE mode, press button "2.4G/PAIR" for 3 seconds as well. Pairing complete automatically after 3~5 second reaction.
- Step 4. If more SLAVE speakers to be connected, repeat Step 3 operation.

\*Wireless range: 10M between MASTER and SLAVE speakers.

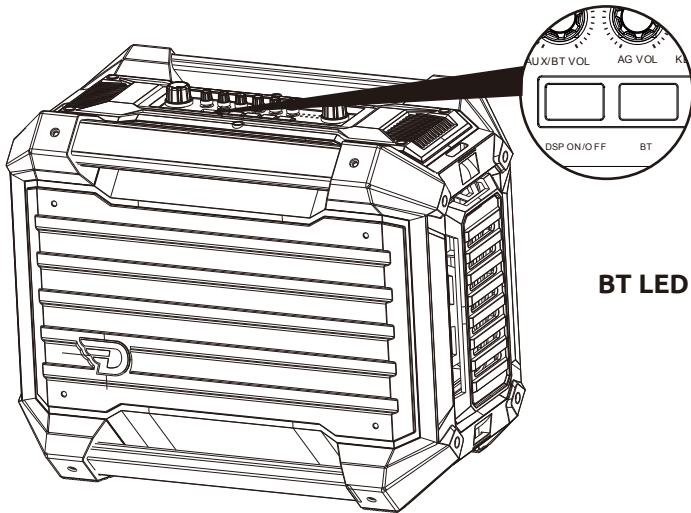
\*Under 2.4G pairing, SLAVE speakers are non-functional except the "2.4G/PAIR" button.

\*To disconnect either SLAVE speaker from MASTER, press "2.4G/PAIR" on SLAVE speaker for 3 seconds.

\*To disconnect all SLAVE speakers from 2.4G pairing, press "2.4G/PAIR" on MASTER speaker for 3 seconds.

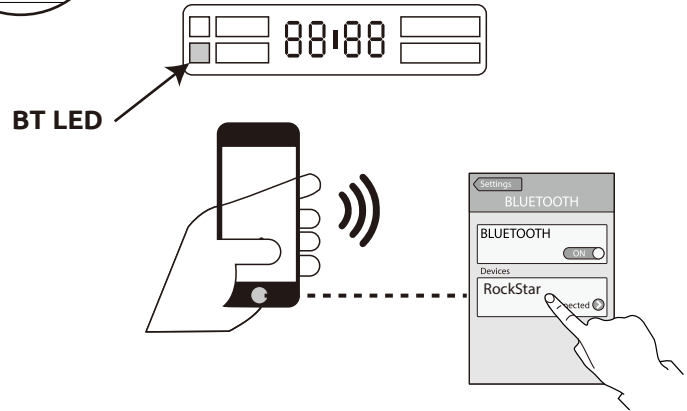
\*Do not slide over the "OFF" position when switching from MASTER to SLAVE, shall pause at "OFF" for two seconds.

# Bluetooth

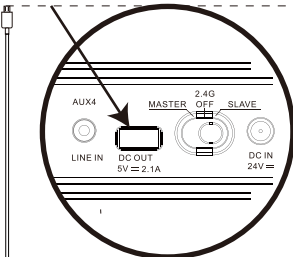
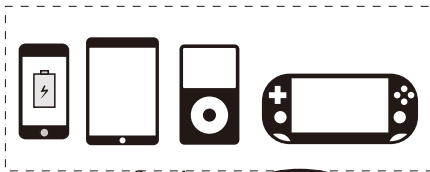


Short press BT button, BT LED quick flash in red light, indicating to search for Bluetooth pairing.

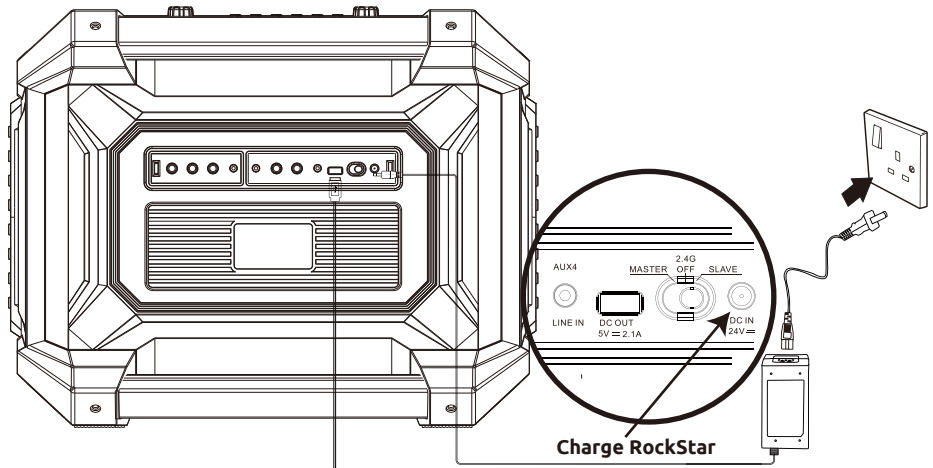
BT LED in solid red -- Bluetooth pairing complete.



# Charging



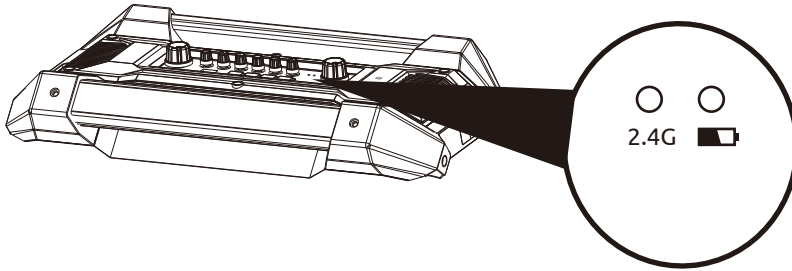
Charge mobile devices



Charge RockStar



# LED Indicator



2.4G Indicator:

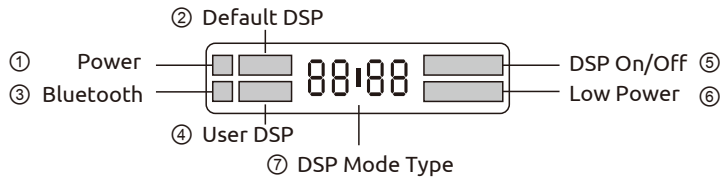
Solid Red - 2.4G pairing complete

Quick Flashing Red - searching for 2.4G pairing

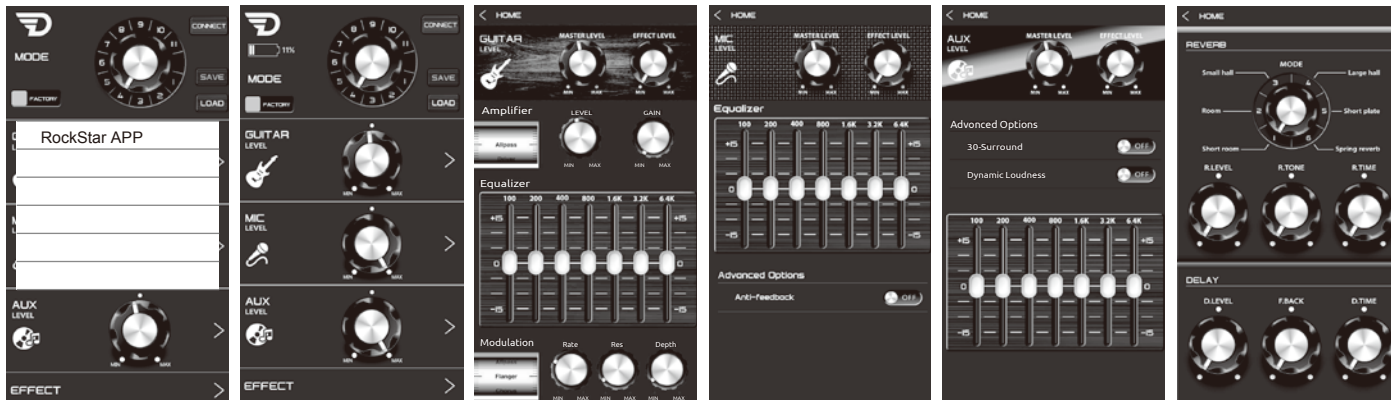
Charging Indicator:

Solid Red - charging

LED off - charging complete



① <b>Power</b>	Light on: Power on
	Light off: Power off
② <b>Default DSP</b>	Light on: Using Default DSP effects now
	Light off: Default DSP effects are not being used
③ <b>Bluetooth</b>	Quick flashing: Searching for Bluetooth pairing
	Solid on: Bluetooth connected
④ <b>User DSP</b>	Light on: Using USER DSP effects now
	Light off: USER DSP effects are not being used
⑤ <b>DSP On/Off</b>	Light on: DSP mode off
	Light off: Under DSP mode
⑥ <b>Low Power</b>	Flashing: Power capacity less than 20%
	Light off: Power capacity more than 20%
⑦ <b>DSP Mode Type</b>	DSP Effect selection (11 Default effects + 11 User effects)



Please download RockStar mobile APP using QR scanner:



iOS



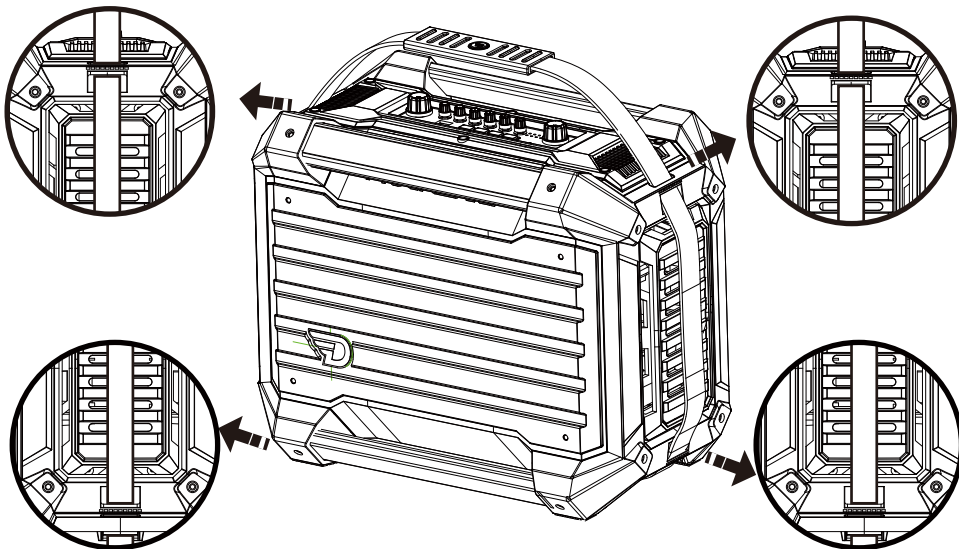
Google Play Store



Android

Please download Mobile APP User Guide from: <http://www.godreamwave.com/Manuals.aspx>

# Strap Assembly (Optional)



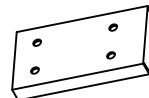
• Screw \* 8



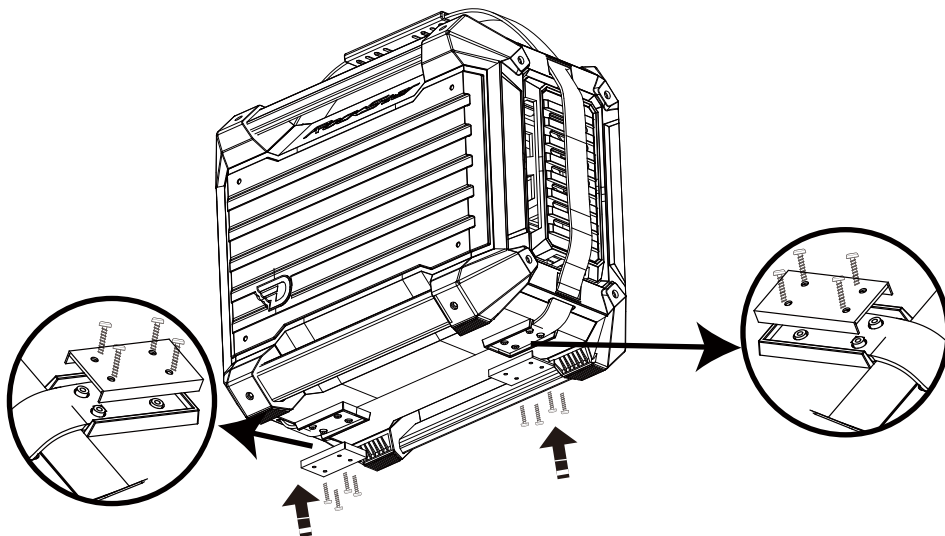
• L-shape screwdriver \* 1

















• Strap \* 1



• Metal plate \* 2



# Specifications

 APP Enabled	 Inputs for MIC / Instruments 4 DSP Inputs (3.5mm * 1, 6.5mm * 3) 4 non-DSP inputs (3.5mm * 2, 6.5mm * 2)	 Bluetooth 4.0+EDR, A2DP AVRCP
 Power: 80W RMS	 USB 5V/2.1A output for charging mobile devices 3.7V/26000mAh or 18.5V/5200mAh 96.2Wh	 Digital Sound Management
 Professional DSP vocal/Karaoke		 11 Default DSP 11 User DSP
 2.4G wireless Multi-pairing	 8" full range * 1 3" tweeter * 4 9" * 7" Passive driver * 2 Hi-Fi digital amplifier, Anti-distortion circuitry.	 (W)543 x (L)310 x (H)431 mm 21.37 x 12.20 x 16.96 inch
 IPX5 splashproof	 Rechargeable Lithium Battery 3.7V/26000mAh (18.5V/5200mAh) Up to 12 hours Audio playback	 12300g /12.3KG/ 27.1 lb 433.86 oz

## EN

Bluetooth :	4.0 + EDR
Support:	Mobile APP A2DP, AVRCP 2.4G wireless Multi-pairing DSP Studio Monitor Sound System 5V/2.1A power bank (96.2Wh)
IP rate:	IPX5, splashproof
Rated power:	80W RMS
Frequency response:	38Hz-20kHz
SN Ratio:	83dB
Battery type:	Rechargeable Lithium battery 3.7V/2600mAh (18.5V/5200mAh)
Music playing time:	Up to 12 hours of Audio playback
Dimensions:	(W)543 x (L)310 x (H)431 mm 21.37 x 12.20 x 16.96 inch
Weight:	12300g /12.3KG / 27.11 lb 433.86 oz

## DK

Bluetooth :	4.0 + EDR
Understøtter:	Mobile APP A2DP, AVRCP 2.4G trådløs Multi-parring DSP Studio Monitor lyd System 5V/2.1A power bank (96.2Wh)
IP rate:	IPX5, splashproof
Effekt:	80W RMS
Frekvensområde:	38Hz-20kHz
Signal/støj forhold:	83dB
Batteri type:	Genopladeligt Lithium 3.7V/2600mAh / (18.5V/5200mAh)
Afspilningstid:	Mere end 12 timer
Dimensioner:	(W)543 x (L)310 x (H)431 mm 21.37 x 12.20 x 16.96 inch
Vægt:	12300g /12.3KG / 27.11 lb 433.86 oz

## JP

Bluetooth:	4.0 + EDR
サポート	Mobile APP A2DP, AVRCP 2.4G ワイヤレス・マルチペアリング DSPスタジオモニターサウンドシステム 5V/2.1A パワーバンク(96.2Wh)
防水性能:	IPX5、生活防水
定格出力:	80W RMS
再生周波数:	38Hz-20kHz
SNレシオ:	83dB
バッテリー・タイプ:	リチウム充電池 3.7V/2600mAh (18.5V/5200mAh)
連続再生時間:	12時間以上
寸法:	(W)543 x (L)310 x (H)431 mm / 21.37 x 12.20 x 16.96 inch
重量:	12300g / 12.3KG / 27.11 lb / 433.86 oz

## FR

Bluetooth:	4.0 + EDR
soutien:	Mobile APP A2DP, AVRCP 2.4G multi connection sans fil DSP Studio Monitor Sound System 5V/2.1A puissance mobile (96.2Wh)
IP niveau:	IPX5, étanche
Puissance :	80W RMS
Frequence:	38Hz-20kHz
SN taux:	83dB
Batterie type:	Lithium rechargeable 3.7V/2600mAh (18.5V/5200mAh)
Temps de lecteur:	12h environ
Dimensions:	(W)543 x (L)310 x (H)431 mm / 21.37 x 12.20 x 16.96 inch
Poids:	12300g / 12.3KG / 27.11 lb / 433.86 oz

**IT**

Bluetooth:	4.0 + EDR
Supporta:	Mobile APP A2DP, AVRCP 2.4G wireless Multi-pairing DSP Studio Monitor Sound System 5V/2.1A power bank (96.2Wh )
IP rate:	IPX5, splashproof
Potenza dichiarata:	80W RMS
Risposta in frequenza:	38Hz-20kHz
Rapporto segnale/disturbo:	83dB
Batterie tipo:	Ricaricabili al Litio 3.7V/2600mAh (18.5V/5200mAh)
Autonomia:	Oltre 12 ore
Dimensioni:	(W)543 x (L)310 x (H)431 mm 21.37 x 12.20 x 16.96 inch
Peso:	12300g / 12.3KG / 27.11 lb / 433.86 oz

**PL**

Bluetooth:	4.0 + EDR
Funkcje:	Mobile APP A2DP, AVRCP 2.4G bezprzewodowe parowanie z kolejnym urządzeniem DSP studyjny system monitorowania dźwięku Power bank 5V/2.1A (96.2Wh)
Stopień ochrony:	IPX5, odporny na zachlapania
Moc znamionowa:	80W RMS
Pasma przenoszenia:	38Hz-20kHz
Stosunek sygnału do szumu (S/N):	83dB
Bateria:	Akumulator Litowy 3.7V/2600mAh (18.5V/5200mAh)
Czas odtwarzania muzyki:	Ponad 12 godzin
Wymiary:	(W)543 x (L)310 x (H)431 mm 21.37 x 12.20 x 16.96 inch
Waga:	12300g / 12.3KG / 27.11 lb 433.86 oz

**DE**

Bluetooth:	4.0 + EDR
Unterstützt:	Mobile APP A2DP, AVRCP 2.4G wirelsss Multi-pairing DSP Studio Monitor Sound System 5V/2.1A power bank (96.2Wh)
IP rate:	IPX5, spritzwasser geschützt
Power:	80W RMS
Frequenz:	38Hz-20kHz
SN Verhältnis:	83dB
Batterietyp:	aufladbare Batterie Lithium 3.7V/2600mAh (18.5V/5200mAh)
Musik Wiedergaberzeit:	über 12 Stunden
Abmessungen:	(W)543 x (L)310 x (H)431 mm 21.37 x 12.20 x 16.96 inch
Gewicht :	12300g / 12.3KG / 27.11 lb / 433.86 oz

**RU**

Bluetooth:	4.0 + EDR
Поддерживает:	Mobile APP A2DP, AVRCP Подключение нескольких устройств одновременно по 2,4G Цифровой процессор обработки звукового сигнала (DSP) 5V/2.1A аккумулятор (96.2Wh)
Степень защиты (IP):	IPX5, odporny na zachlapania
Мощность:	80W RMS
Частотная характеристика:	38Hz-20kHz
Отношение сигнал/шум:	83dB
Тип батареи:	Перезаряжаемая литиевая батарея емкостью 3.7V/2600mAh (18.5V/5200mAh)
Продолжительность проигрывания:	Время работы от батареи: до 12 часов
Параметры:	(W)543 x (L)310 x (H)431 mm / 21.37 x 12.20 x 16.96 inch
Вес:	12300g / 12.3KG / 27.11 lb 433.86 oz

**KR**

블루투스 버전:	4.0 + EDR
지원가능:	Mobile APP A2DP, AVRCP 2.4G 와이어리스 멀티-페어링 DSP 스튜디오 모니터 사운드 시스템 5V/2.1A 파워 뱅크(96.2Wh)
<b>P rate:</b>	IPX5, 스플래시프루프
정격 출력:	80와트 RMS
주파수 응답:	38Hz-20kHz
신호 대 잡음비:	83 데시벨
배터리 타입:	재충전가능한 리튬 3.7V/26000mAh (18.5V/5200mAh)
음악 재생 시간:	12시간 이상
디멘션: (W)543 x (L)310 x (H)431 mm / 21.37 x 12.20 x 16.96 inch	
무게	12300g / 12.3KG / 27.11 lb 433.86 oz

**CHT**

藍牙版本:	4.0 + EDR
支持:	手机 APP A2DP, AVRCP 無線2.4G多臺設備連接 音頻信號處理器-高端樂隊音響系統 5V/2.1A內置移動電源 (96.2Wh)
防水等級:	IPX5
功率:	80W RMS
頻率:	38Hz-20kHz
信噪比:	83dB
電池:	鋰電池 3.7V/26000mAh (18.5V/5200mAh)
播放時長:	12小時以上
產品尺寸:	(W)543 x (L)310 x (H)431 mm 21.37 x 12.20 x 16.96 inch
產品淨重:	12300g / 12.3KG / 27.11 lb 433.86 oz

**AR**

4,0+EDR	:رابطات Bluetooth
Mobile APP	:معدلا:
A2DP, AVRCP	
2,4G	نارتقالا قددمتتم ةئافل ساللا
DSP	روتينوم توصلا ويوتسا ماظن
5V / 2,1A	ءاب رءءلا و ءونءبلا (96.2Wh )
IPX5	:ءقءءءل ءلءلءو ,
80W RMS	:ءفنصلءا ءوقلا:
38 Hz - 20 kHz	:ءءرءءلا ءبءءءءءا:
83dB	:ءبءءن SN:
3.7V/26000mAh (18.5V/5200mAh)	:ءءءرءءبءلءا ءون: ءلبءءق ءوءءءءل ءءءرءءبءلء
ءءءء 12 ءوءء	:ءلءءءءءء ءءوء:
(W)543 x (L)310 x (H)431 mm / 21.37 x 12.20 x 16.96 inch	:ءءءءءءءء:
12300g / 12.3KG / 27.11 lb 433.86 oz	:ءوء:

**CHS**

藍牙版本:	4.0 + EDR
支持:	手机 APP A2DP, AVRCP 无线2.4G多台设备连接 音頻信號處理器-高端樂隊音響系統 5V/2.1A內置移動電源 (96.2Wh)
防水等級:	IPX5
功率:	80W RMS
頻率:	38Hz-20kHz
信噪比:	83dB
電池:	鋰電池 3.7V/26000mAh (18.5V/5200mAh)
播放時長:	12小時以上
產品尺寸:	(W)543 x (L)310 x (H)431 mm / 21.37 x 12.20 x 16.96 inch
產品淨重:	12300g / 12.3KG / 27.11 lb / 433.86 oz

## **Power doesn't turn on when you press the Power button?**

- Could the RockStar run out of power? - Full charge it with the offered DC24V adaptor.
- Is the AC adapter plugged into an AC outlet?
- Is the AC outlet working properly?
- Could the AC adapter be damaged?

## **No sound**

- Could the volume of your audio device be turned down?
- Is your audio device/music resource connected correctly?
- Could your audio device cable be broken?
- Could the top panel knobs be set to the minimum value?
- Could you have activated the mute mode?

## **DSP Effects don't apply**

- Could the effect setting be off?

Use the DSP MODE knob to select the effect that you want to use.

- Could the volume knobs of instruments be set to the minimum value?

Adjust the volume knobs.

- Could you connect your audio devices to the AUX Inputs instead of DSP Inputs?

Make sure that you connect your audio devices to DSP inputs of CH1 / CH2 / CH3 / CH4.

## **2.4G Wireless multi-Pairing fail**

- . Could the 2.4G switch be on OFF mode? – Switch to MASTER or SLAVE to set correctly.
- . Could the distance between Master & Slave devices be larger than 10 meters?
- . Do not slide over the "OFF" position when switching from MASTER to SLAVE, shall pause for two seconds.

## **Audio is intermittent, crackling or distorted when streaming via Bluetooth**

1. Try playing other audio files. Ensure that audio can play well from the same audio device when using a headphone.
2. If Step 1 is not the case, try listening to audio by connecting the speaker to the Bluetooth device using the Aux-in cable. This will isolate if it's a Bluetooth connection issue or not. Remember to disconnect/un-pair the Bluetooth connection first.
3. If the issue only happens when connecting via Bluetooth, do the following:
  - a. Check that you are connected to the correct speaker ( i.e. select "RockStar" within the Bluetooth list on your device).
  - b. Check that the volume is not set to minimum.
  - c. Ensure that the distance between the speaker and the Bluetooth device is with the distance of 10 meters.
  - d. Turn the speaker off and back on to reset the speaker.
  - e. Clear the current pairing entry from your Bluetooth device.
  - f. To further isolate the problem, do please shut down all other surrounding Bluetooth devices.
  - g. Try re-pairing the speaker and the Bluetooth device.

If all above do not solve your problem, please contact DreamWave Support via email.



## FCC Statement

This equipment has been tested and found to comply with the limits for a Class B digital device, pursuant to part 15 of the FCC Rules. These limits are designed to provide reasonable protection against harmful interference in a residential installation. This equipment generates, uses and can radiate radio frequency energy and, if not installed and used in accordance with the instructions, may cause harmful interference to radio communications. However, there is no guarantee that interference will not occur in a particular installation. If this equipment does cause harmful interference to radio or television reception, which can be determined by turning the equipment off and on, the user is encouraged to try to correct the interference by one or more of the following measures:

- Reorient or relocate the receiving antenna.
- Increase the separation between the equipment and receiver.
- Connect the equipment into an outlet on a circuit different from that to which the receiver is connected.
- Consult the dealer or an experienced radio/TV technician for help.

Caution: Any changes or modifications to this device not explicitly approved by manufacturer could void your authority to operate this equipment.

This device complies with part 15 of the FCC Rules. Operation is subject to the following two conditions: (1) This device may not cause harmful interference, and (2) this device must accept any interference received, including interference that may cause undesired operation.

## RF Exposure Information

The device has been evaluated to meet general RF exposure requirement. The device can be used in portable exposure condition without restriction.

**FCC ID: 2AD2BGM100**

**Patent: ZL201630629919.7**



MUSIC  
THAT  
MOVES 



**DreamWave Audio USA ,LLC**

2664 Saturn St. Ste.#B Brea,CA 92821  
[www.godreamwave.com](http://www.godreamwave.com)  
[info@godreamwave.com](mailto:info@godreamwave.com)



GoDreamWave

