




15022

4410ME Series

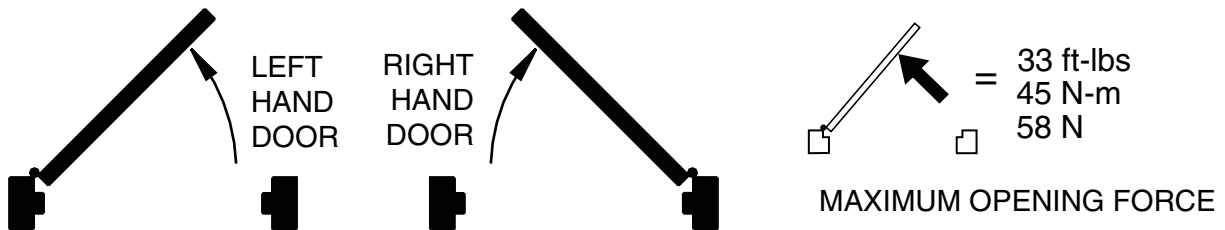


Door closer with electronic release & Multi-point hold open

Installation Instructions

1 Closer Installation	
1a Closer Information	<p>Surface Wiring: see Figure 4 on page 3.</p> <p>① NOTE: Remove the knockout in the top of the cover.</p> <ol style="list-style-type: none"> Prepare the frame per the proper template on page 4. Be sure all the holes are dimensioned correctly before drilling and tapping. Secure the mounting plate to the frame with the screws provided. Attach the surface run 1/2" EMT conduit to the hole in the bracket on the mounting plate. Be sure the conduit is securely attached to the bracket.
<p>Closer is handed at the factory. The hand of the closer must match the hand of the door (see the door handing diagram below). Determine the closer mounting template to use - Standard or Flush-Ceiling (see page 4). Refer to the proper template for the entire installation</p>	
1b Voltage	1d Wiring Connections
<p>Voltage supplied to the door frame MUST match voltage of the solenoid.</p>	<p>Make the wiring connections at this time. Connect the two black wires to the input voltage (polarity is not important). The green wire MUST be connected to an earth ground (see Figures 3 & 4 on page 3).</p>
1c Before beginning this step, determine which type of wiring option will be used, and follow the corresponding instructions:	1e Main Arm
<p>Concealed Wiring: see Figure 3 on page 3.</p> <ol style="list-style-type: none"> Prepare the frame per the proper template on page 4. Be sure all the holes are dimensioned correctly before drilling and tapping. Assemble the conduit connector provided to the flexible conduit, then attach to the hole in the mounting plate. Secure the mounting plate to the frame with the screws provided. 	<p>Place the main arm onto the shaft, approximately 90° to the closer body, and secure with the arm shaft screw.</p>
<div style="border: 1px solid black; padding: 5px; text-align: center;"> <p>⚠ WARNING ⚠</p>  <p>HAZARDOUS VOLTAGE CAN SHOCK AND CAUSE SEVERE INJURY</p> <p>Disconnect power before making any electrical connections or performing maintenance.</p> </div>	1f Rod & Shoe
	<p>Attach the rod and shoe to the door, per the proper template on page 4, with the provided screws.</p>
	1g Insert the Rod
	<p>Open the door partway and insert the rod into the forearm, then close the door. Pull the Main Arm to a right angle (90°) to the door, insert the arm set screw, and tighten securely.</p>
	1h Regulate the Closer
	<p>Regulate the closer and perform the electrical checkout, as instructed on page 2, before installing the closer cover.</p>

HOW TO TELL HAND OF DOOR:



2 Regulation Instructions

See Figure 2 on the opposite page for regulating screw location, door control diagram & spring power adjustment

2a Spring Power Adjustment

DO NOT ALLOW THE DOOR TO SLAM INTO THE FRAME. The spring power should be adjusted **only** if more power is needed to close the door. Turning the spring adjustment $\frac{5}{32}$ " Allen Wrench clockwise will increase the spring power. Maximum adjustment is six (6) turns.

2b Regulation

A "normal" closing time from a 90° position is five (5) to seven (7) seconds, equally divided between the **MAIN** and **LATCH SPEED**. If adjustments are needed, use a $\frac{3}{32}$ " Allen Wrench. To adjust the **MAIN SPEED**, turn the regulating screw clockwise to slow the door speed, or counterclockwise to increase the door speed. **LATCH SPEED** is adjusted the same way. When adjusting the **BACKCHECK**, use the least amount of force necessary to sufficiently slow the swing of the door. To adjust the closer **BACKCHECK**, turn the regulating screw clockwise to increase the amount of force, or counterclockwise to reduce the amount of force. **DO NOT USE THE ABRUPT BACKCHECK SETTING OR EXPECT THE CLOSER TO ACT AS A STOP!**



CAUTION

Improper installation or regulation may result in personal injury or property damage. Follow all instructions carefully.

For questions, call LCN at
877-671-7011

3 Electrical Checkout

After completion of installation & wiring, and with the unit properly powered, perform the following tests:

3a Hold Open the Door

With power on, open the door any position and release. The door should remain in the hold-open position within 10°. For a bypass model to hold open, the door must be opened beyond the degree of the door swing indicated on the label.

3b Door

If the door does not remain in the hold open position, push the on/off switch. If the door still does not hold open, verify the proper voltage input at the solenoid leads.

3c Power Release

Turn the power off. The door should close completely.

3d Manual Release

To release manually, pull firmly on the door. The door should close completely.

3e Rechecking the System

The system should be checked at regular intervals. It is recommended that steps 3a-3c be repeated every 90 days.

4 Electrical Data for Door Holder Solenoid

24V AC-DC Nominal +10% - 15% @ 0.075 Amp. Max.
120V AC-DC Nominal +10% - 15% @ 0.030 Amp. Max.
24 V Hold Open Force Adjustment

If the door is hard to pull out of the hold open position, adjust as shown.

IMPORTANT

The closer leaves the factory set at a maximum holding force. The holding force may be decreased and increased again, but it cannot be increased beyond the original setting.

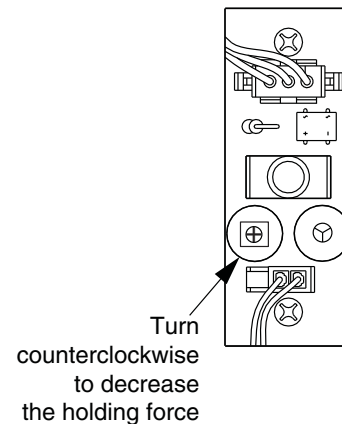


Figure 1

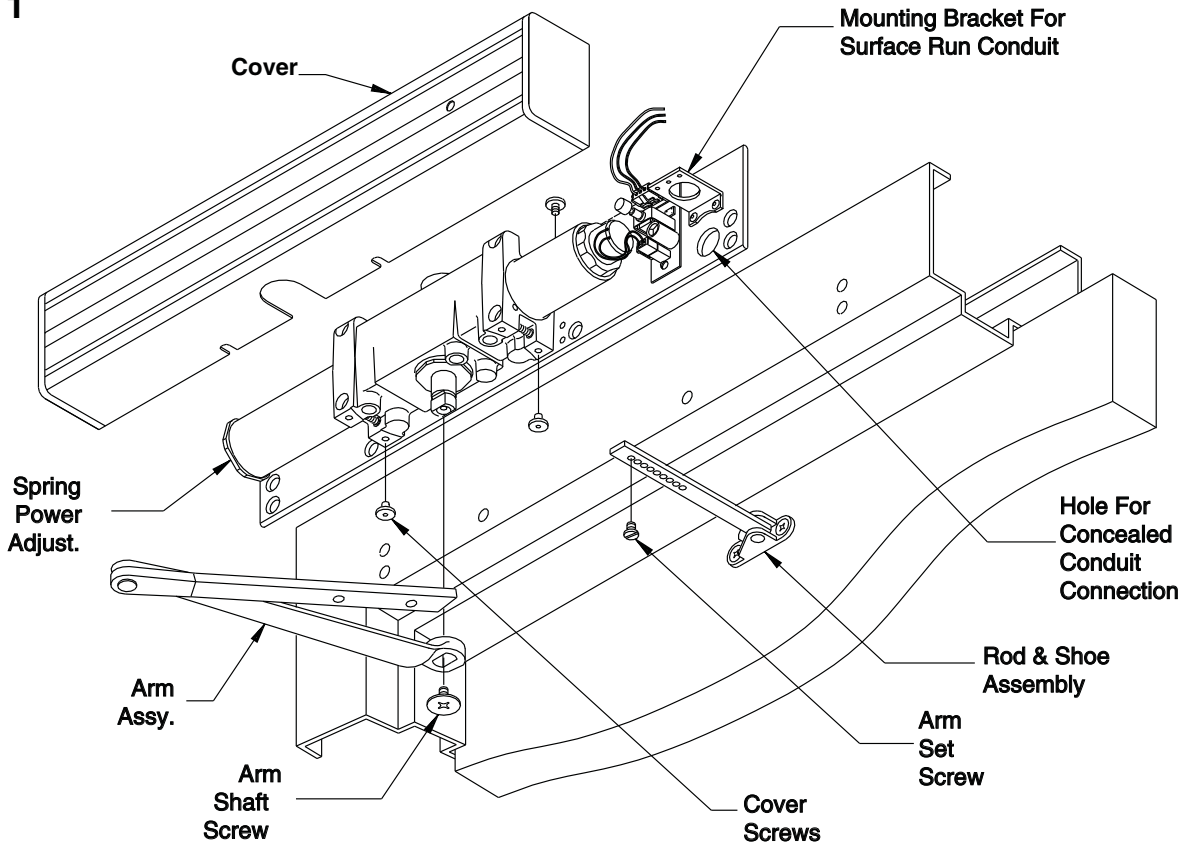


Figure 2

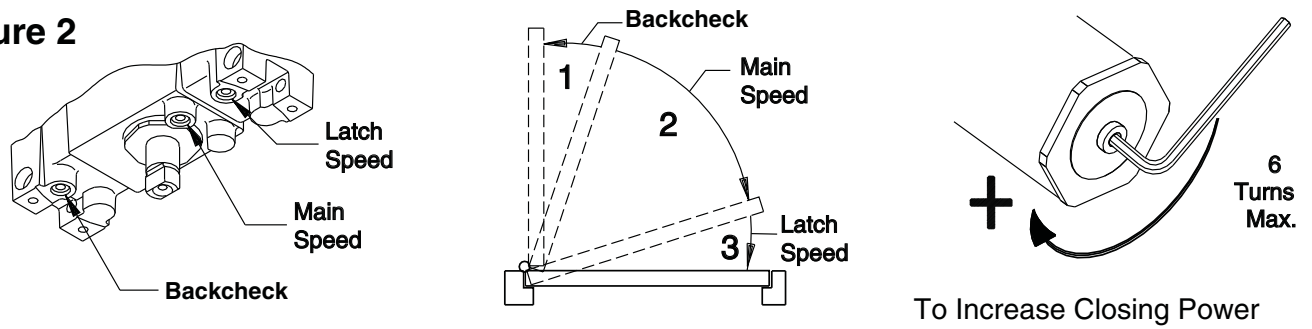


Figure 3

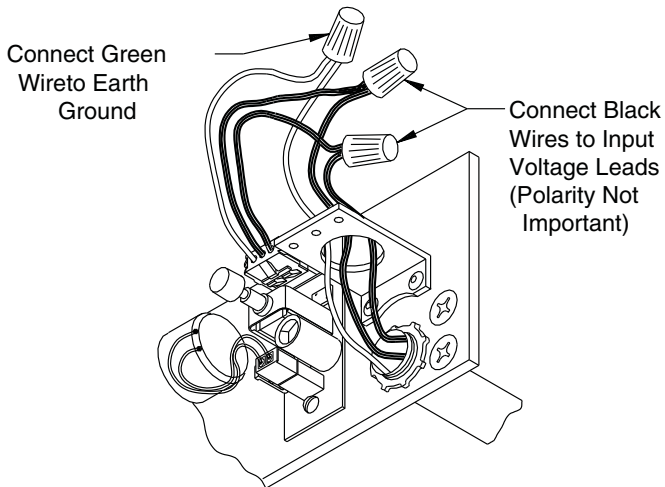
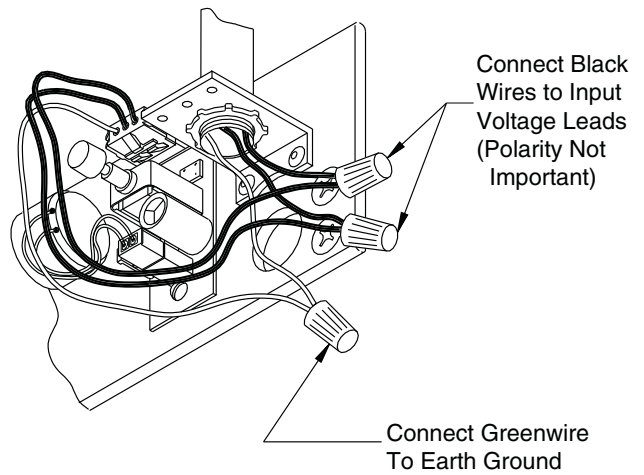


Figure 4

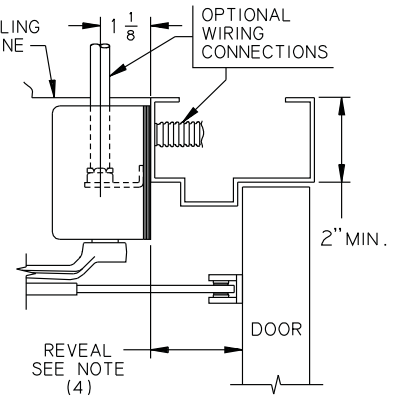
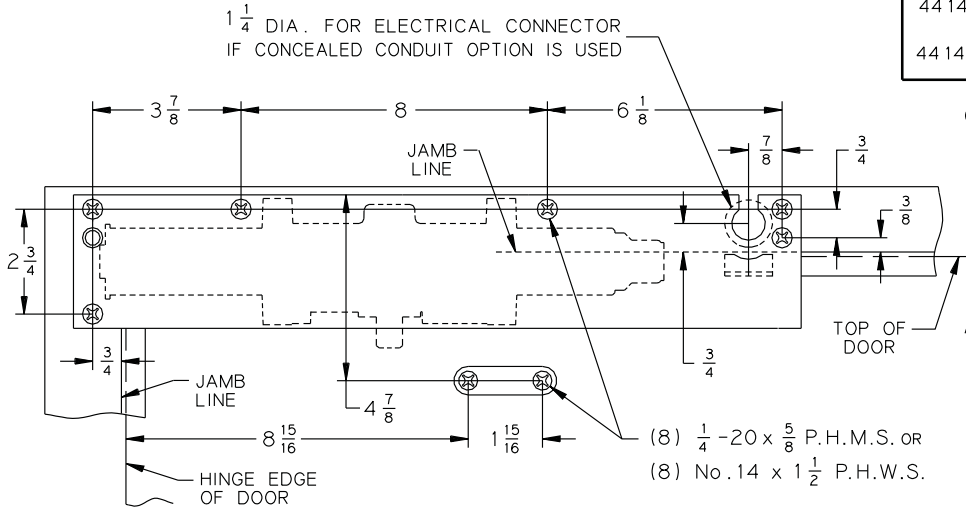
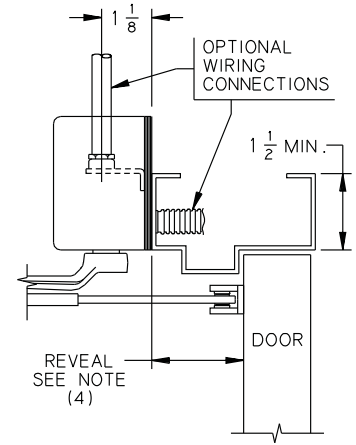
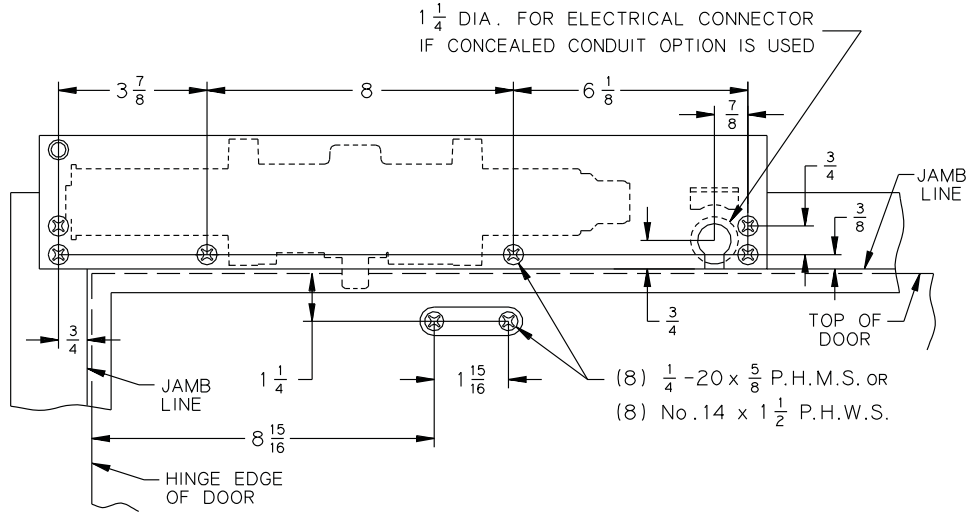


4410 ME

44 14 ME } **HOLD OPEN ANY POINT TO 150°**
HOLD OPEN BYPASS 80° OR 140°
 44 14 MEL } **HOLD OPEN ANY POINT TO 170°**
HOLD OPEN BYPASS 80° OR 140°

LEFT HAND DOOR AND CLOSER SHOWN, RIGHT HAND OPPOSITE **5/94**

"L" INDICATES LONG ARM

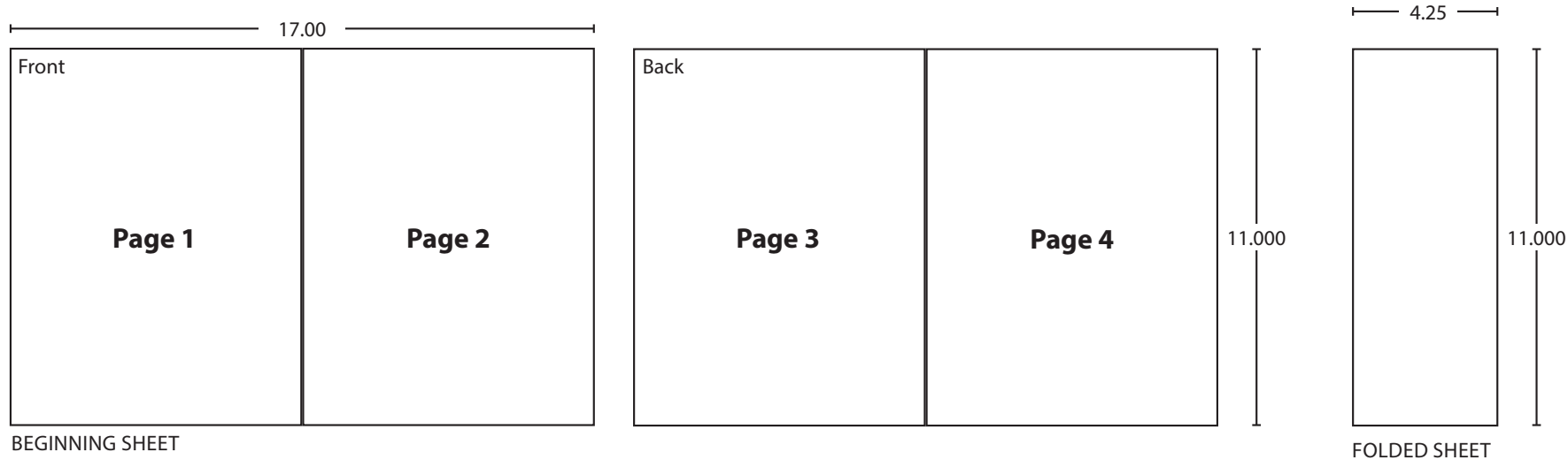


NOTES-

1. Voltage supplied to unit must match voltage shown on Sentronic® label.
2. Locate closer and shoe from \mathcal{C} of pivot when pivots are used. For use with swing clear hinges, consult factory.
3. Auxiliary stop is recommended. For use with overhead stops, shoe must be lowered to clear holder.
4. Long arm required for opening beyond 160°. Reveal not exceed 3 7/8" (5 3/4" FRAME).
5. Maximum stop thickness is 5/8".
6. Electric connector provided by LCN.
7. Reinforcing per ANSI\SDI - 100 is recommended for hollow metal door and frames.

INCH	1/4	3/8	1/2	5/8	3/4	7/8	1 1/8	1 1/4	1 1/2	1 15/16	2
M.M.	6	10	13	16	19	22	29	32	38	49	51
INCH	2 9/16	2 3/4	3 7/8	5 3/4	6 1/8	8	8 15/16	2'4"	3'0"	3'1"	4'0"
M.M.	65	70	98	146	156	203	227	700	900	925	1200





Additional Notes:
1. None

Revision History						Revision Description: H > Revised artwork						
G	H	J	K	L	M							
038791	043228											
Material White Paper						Edited By D. Myers		Approved By M. Sasso		EC Number 043228	Release Date 01-01-14	
Notes 1. printed two sides 2. printed black 3. tolerance ± .13 4. printed in country may vary 5. drawings not to scale						Title 4410ME Series Instruction Sheet						
						Creation Date 05-10-10		Number 15022			Revision H	
						Created By N/A		Activity 3899 Hancock Expwy Security, CO 80911		© Allegion 2014		
						Software: InDesign CS6						