

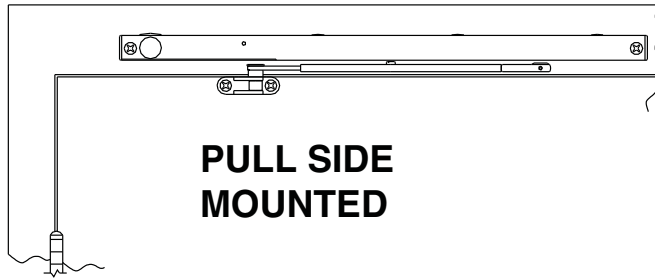


19842

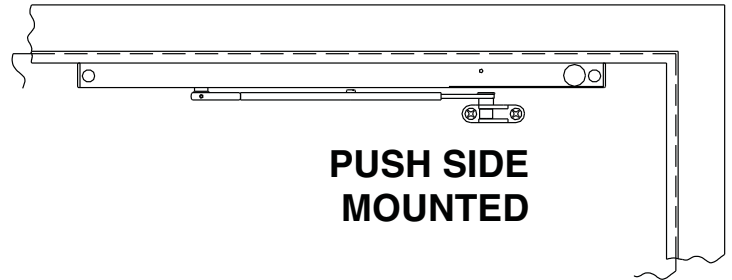
SEH Sentronic Electronic Door Holder

LCN®

Installation Instructions



**PULL SIDE
MOUNTED**



**PUSH SIDE
MOUNTED**

Important Information

The LCN SEH Sentronic is a door holder that must be installed in conjunction with a UL listed opposite-side mounted door closer or floor closer, which provides a minimum of 5 lb closing force measured 30" out on door from the hinge/pivot center line at the hold-open door position.

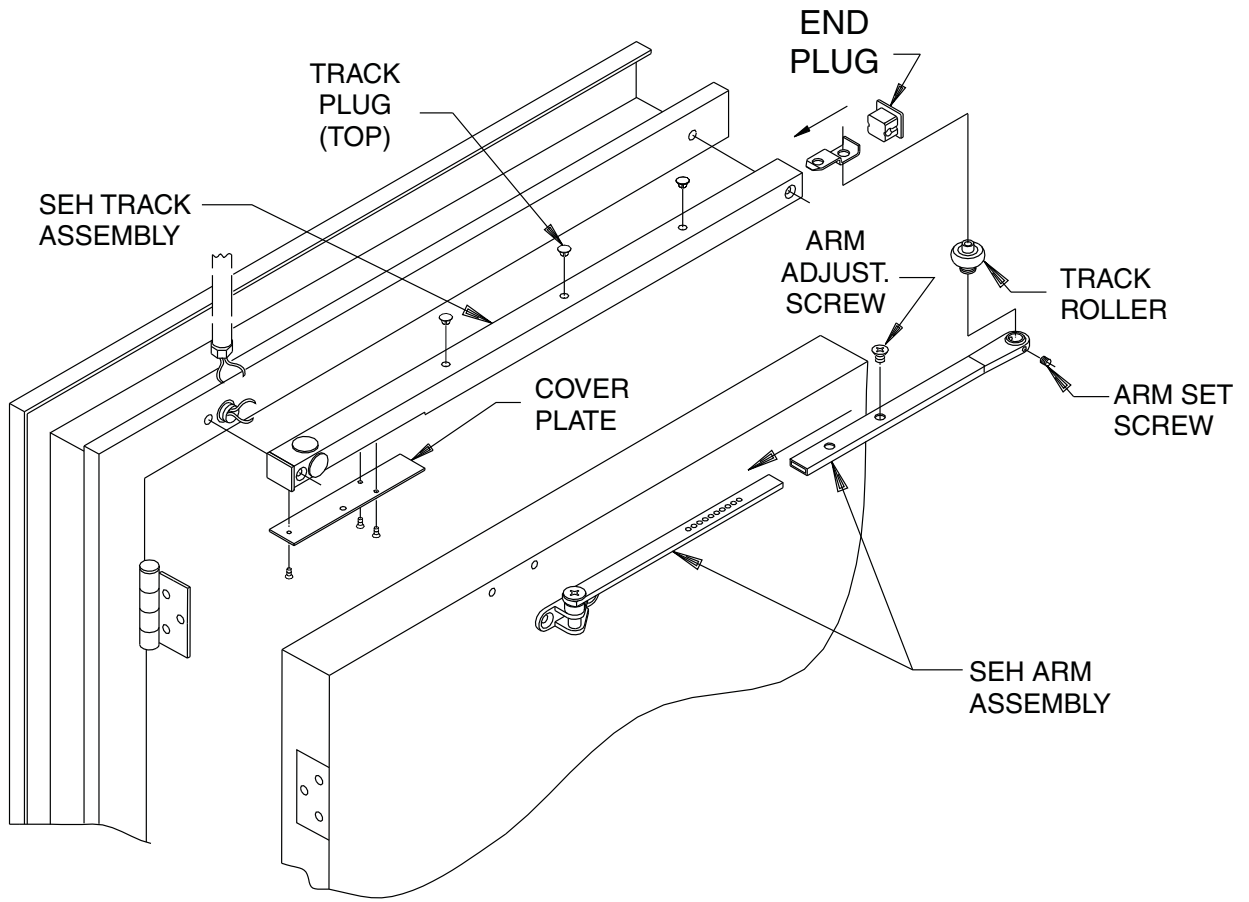
The hold-open feature is adjustable in 3° increments from 80° to 100°. Floor or wall stops should be used.

This instruction sheet and template apply to doors hung on butt hinges. Consult the factory if pivots or swing-clear hinges are to be used.

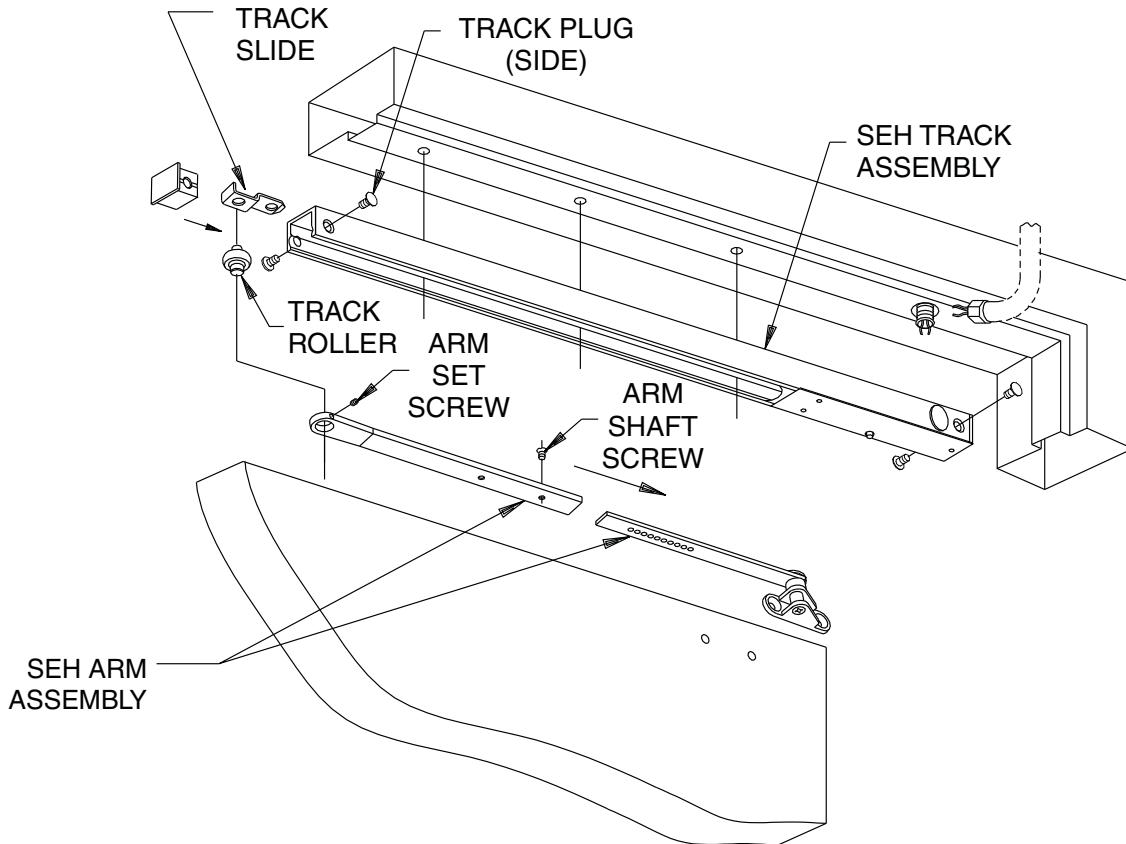
Installation instructions

1. The voltage shown on the track cover plate must match the voltage supplied to the door frame (24V or 120V). If **concealed** wiring is desired, prepare the frame to the specifications per the template on page 3. If **surface** wiring, mount the track to the frame **before** running the EMT/conduit. For **24V wiring**, see the enclosed Conduit Quick Connect instruction sheet.
2. Remove the end cap from the track. Insert the track slide and track roller, making sure that the stud is inserted into the hole in the track slide. Reinsert the end cap into the track. Insert the track plugs into the track. Using the fasteners provided, mount the track on the frame to the dimensions of the template on page 3.
3. Remove the cover plate and make all the necessary electrical connections. Replace the cover plate making sure the Test/Release button is through the hole.
4. Using the fastener provided, mount the rod & shoe part of the arm assembly to the door per the template on page 3.
5. Loosen the set screw in the end of the tube part of the arm assembly and connect to the track roller. Tighten the set screw firmly. With the track roller at the leach edge of the track, open the door part-way and insert the rod into the arm tube.
6. Slide the roller to the hinge edge of the track, into the hold-open position. Open the door to the desired degree of the hold-open and insert the arm adjusting screw, tightening firmly.
7. Turn the power on and perform the electrical checkout as follows:
 - a. With power on, open the door completely. The door should remain in the open position. If the door does not stay open, check the electrical input.
 - b. Push the release test switch. The door should close immediately. Open the door to the hold-open position and let it remain there.
 - c. The system should be checked at frequent intervals. It is suggested that step b be repeated every 90 days.

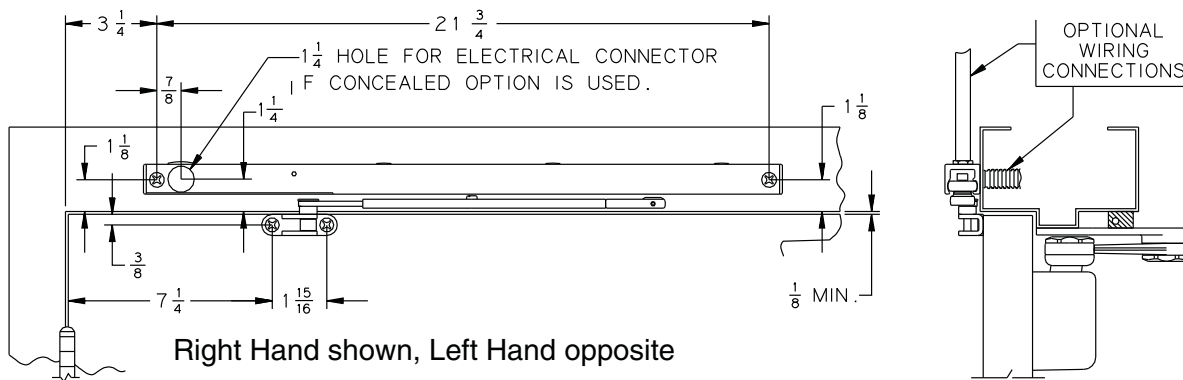
Pull Side Mounting



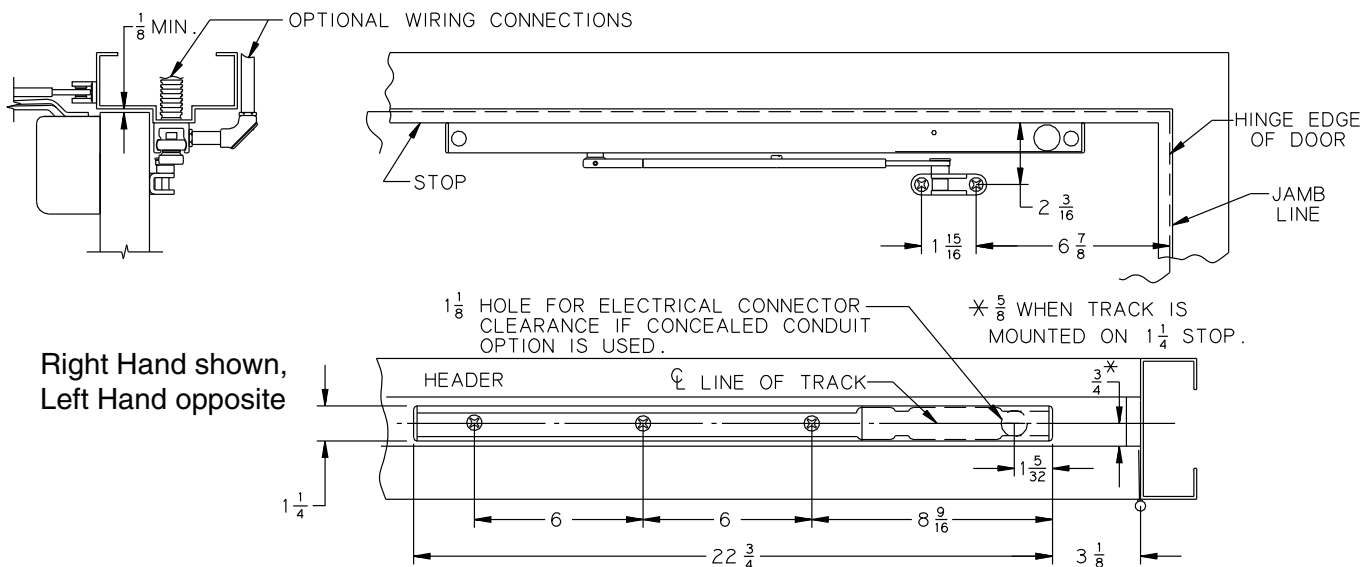
Push Side Mounting



Pull Side Template



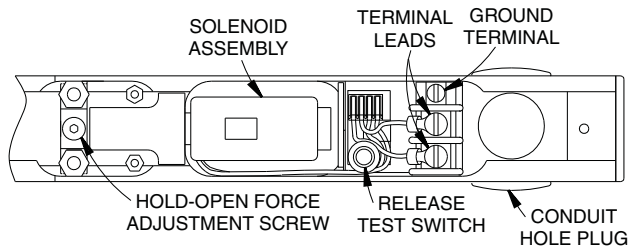
Push Side Template



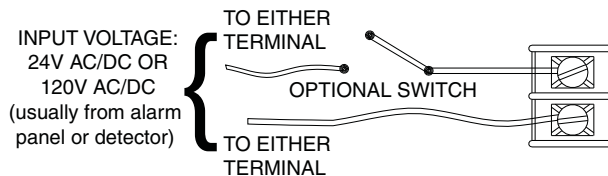
Right Hand shown,
Left Hand opposite

Hold Open Force Adjustment

Locate the hold-open adjustment screw in the diagram above. For greater hold-open force, insert a $\frac{3}{32}$ Allen wrench (included in the screwpack) and turn clockwise. To decrease the amount of hold-open force, turn the screw counter-clockwise. Have a maximum of 4 turns.



Wiring Diagram - Polarity Not Important



Hazardous voltage can shock and cause severe injury!

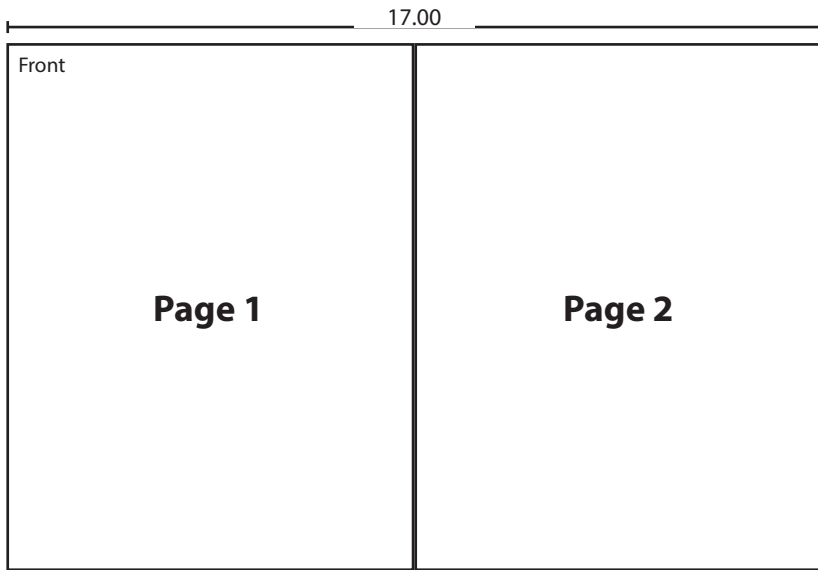
Disconnect the power before making any electrical connections or performing maintenance.

Customer Service

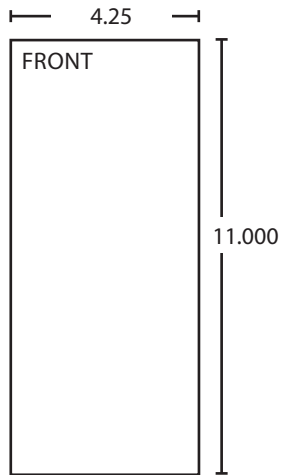
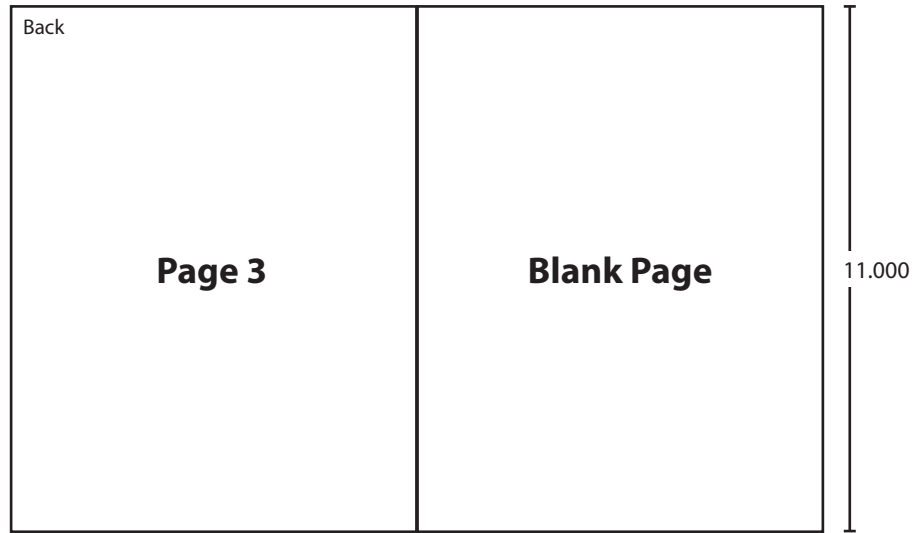
1-877-671-7011 www.allegion.com/us



© Allegion 2014
 Printed in U.S.A.
 19842 Rev. 01/14-h



BEGINNING SHEET



FOLDED SHEET

Additional Notes:
1. None

Revision History						Revision Description:					
G	H	J	K	L	M	H > Revised artwork					
037552	043228										
Material						Edited By		Approved By		EC Number	Release Date
White Paper						D. Myers		M. Sasso		043228	01-01-14
Notes						Title					
1. printed two sides						4040SEH Series Instruction Sheet					
2. printed black						Creation Date		Number		Revision	
3. tolerance ± .13						N/A		19842		H	
4. printed in country may vary						Created By		Activity		© Allegion 2014	
5. drawings not to scale						N/A		3899 Hancock Expwy Security, CO 80911			
						Software: InDesign CS6					