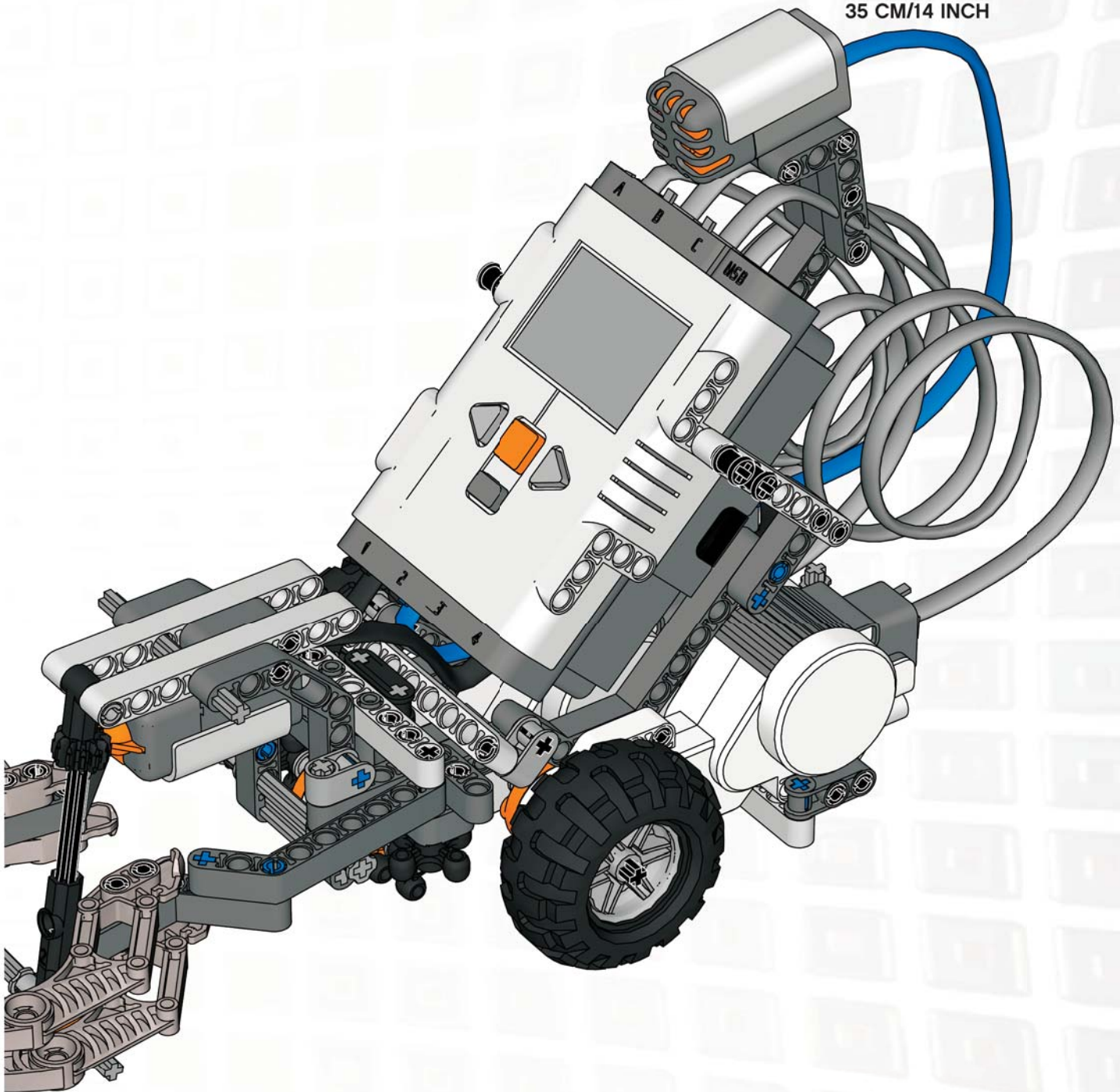


35 CM/14 INCH

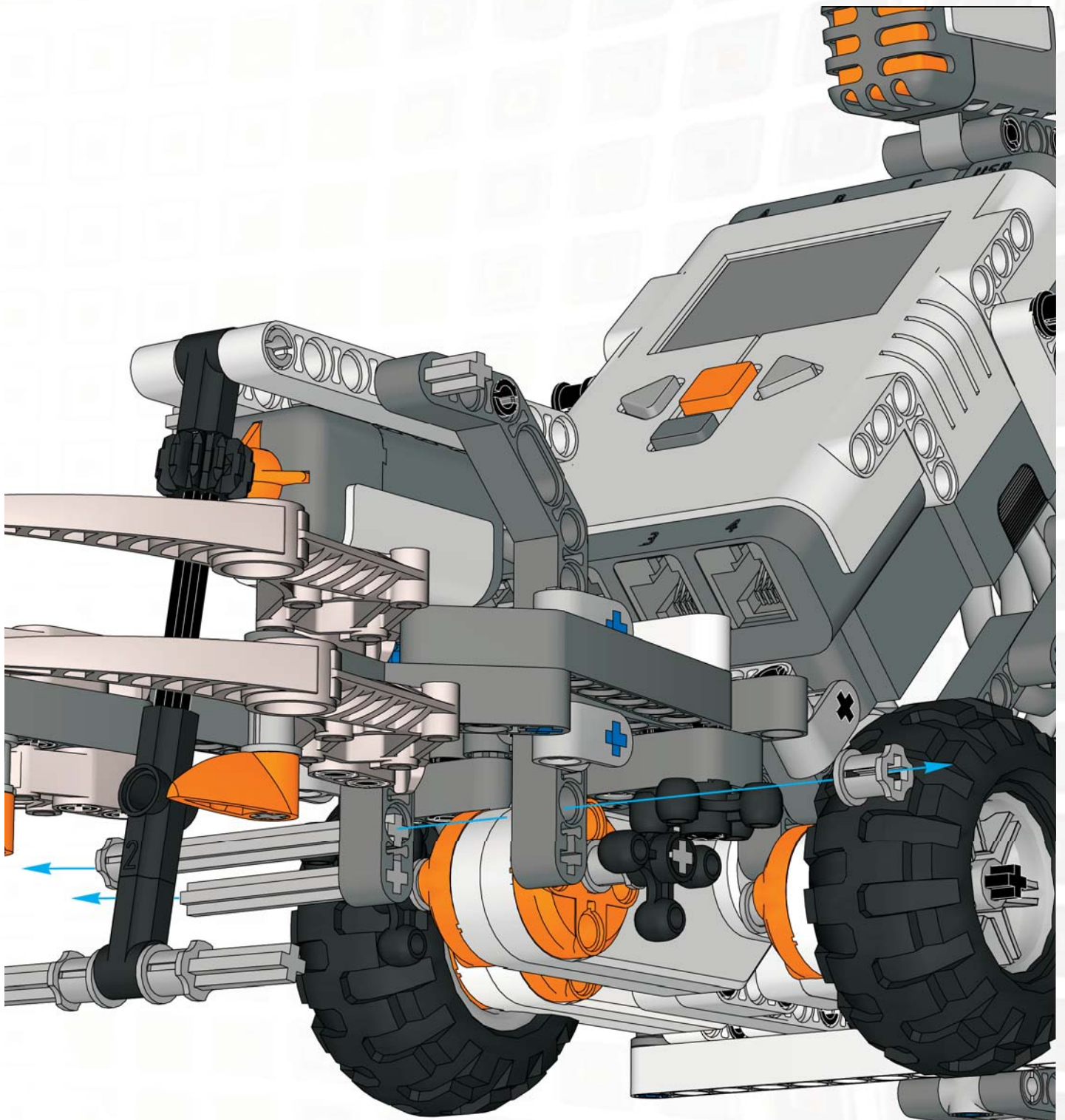
1x

29

35 CM/14 INCH



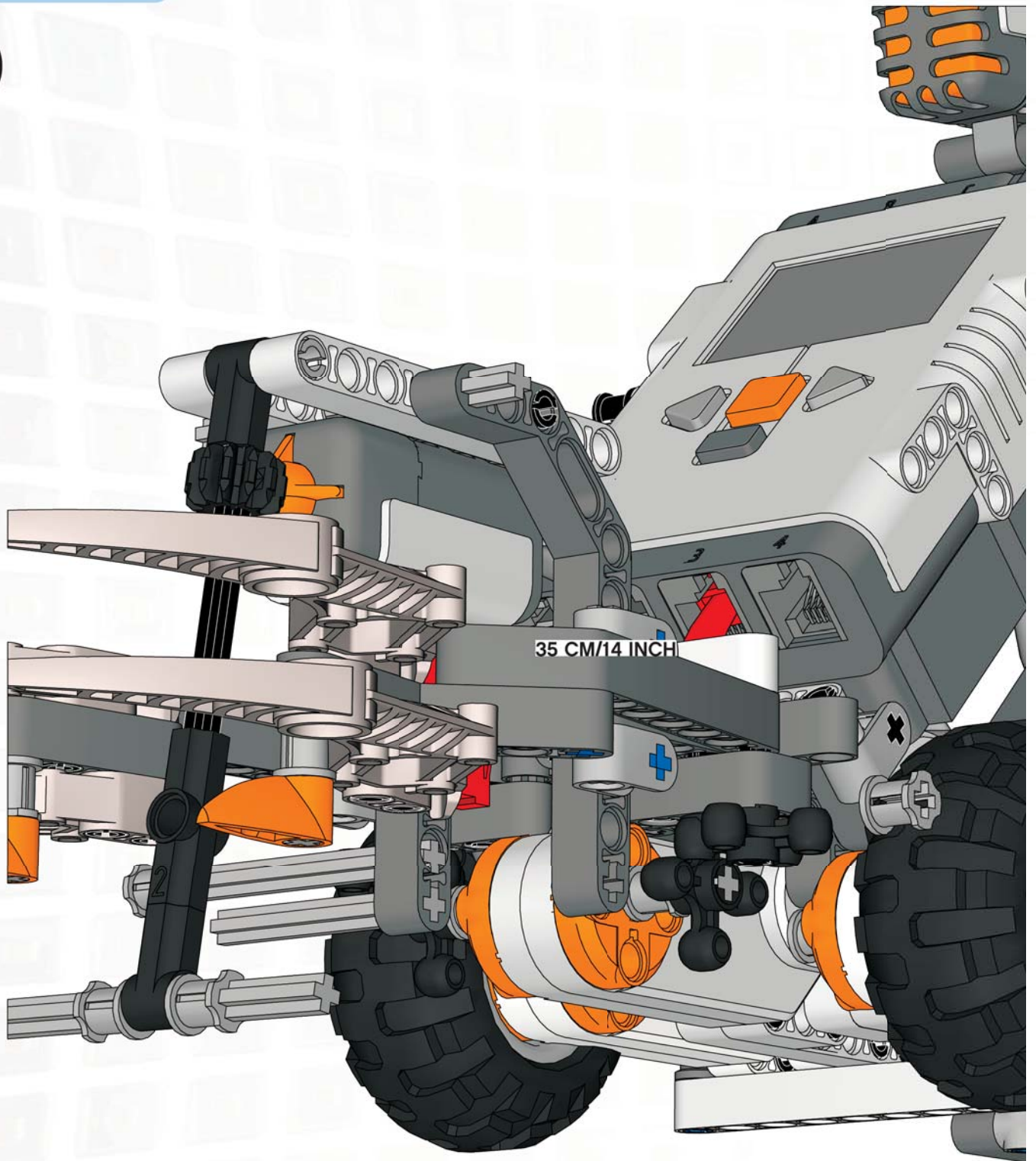


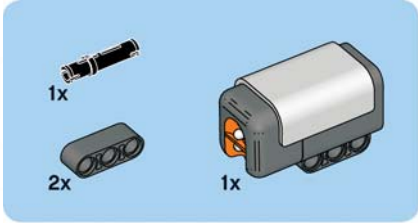


35 CM/14 INCH

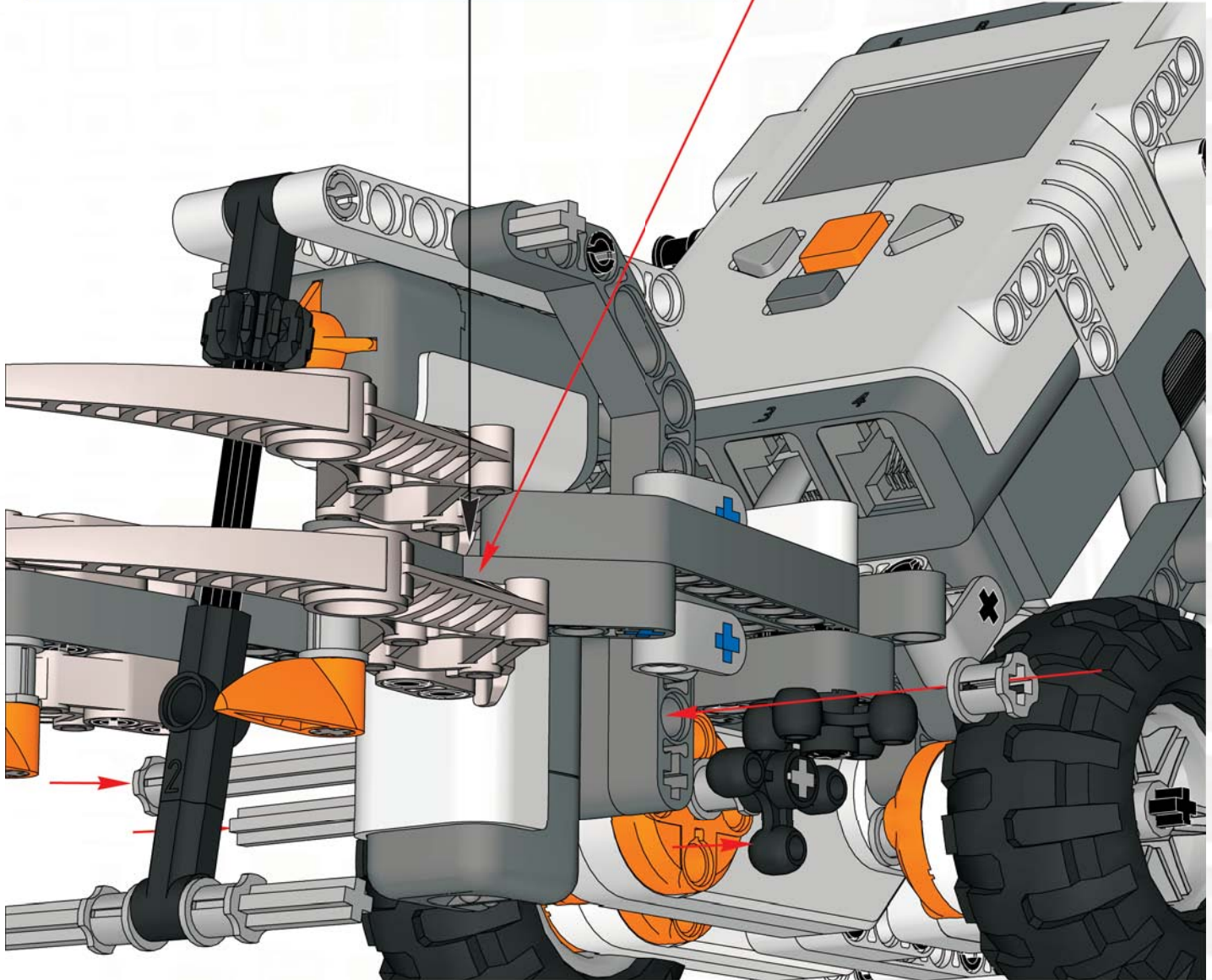
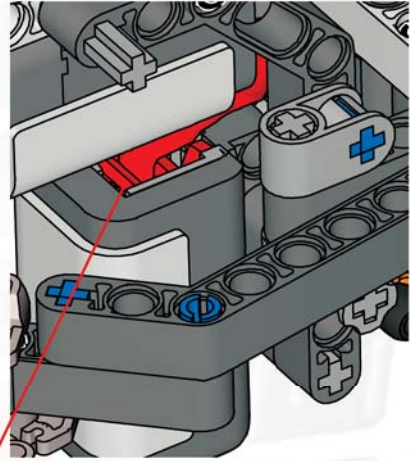
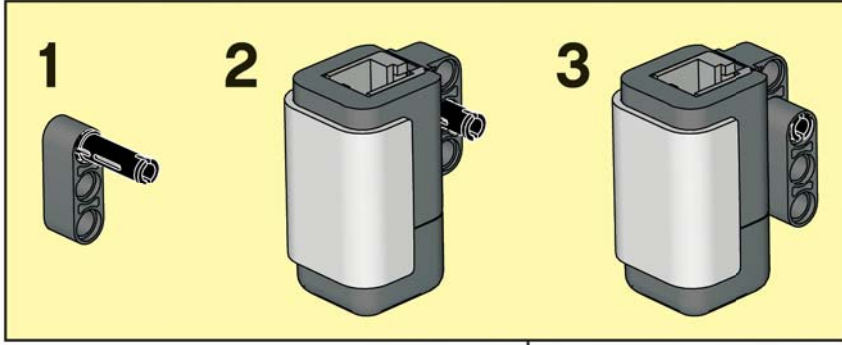
1x

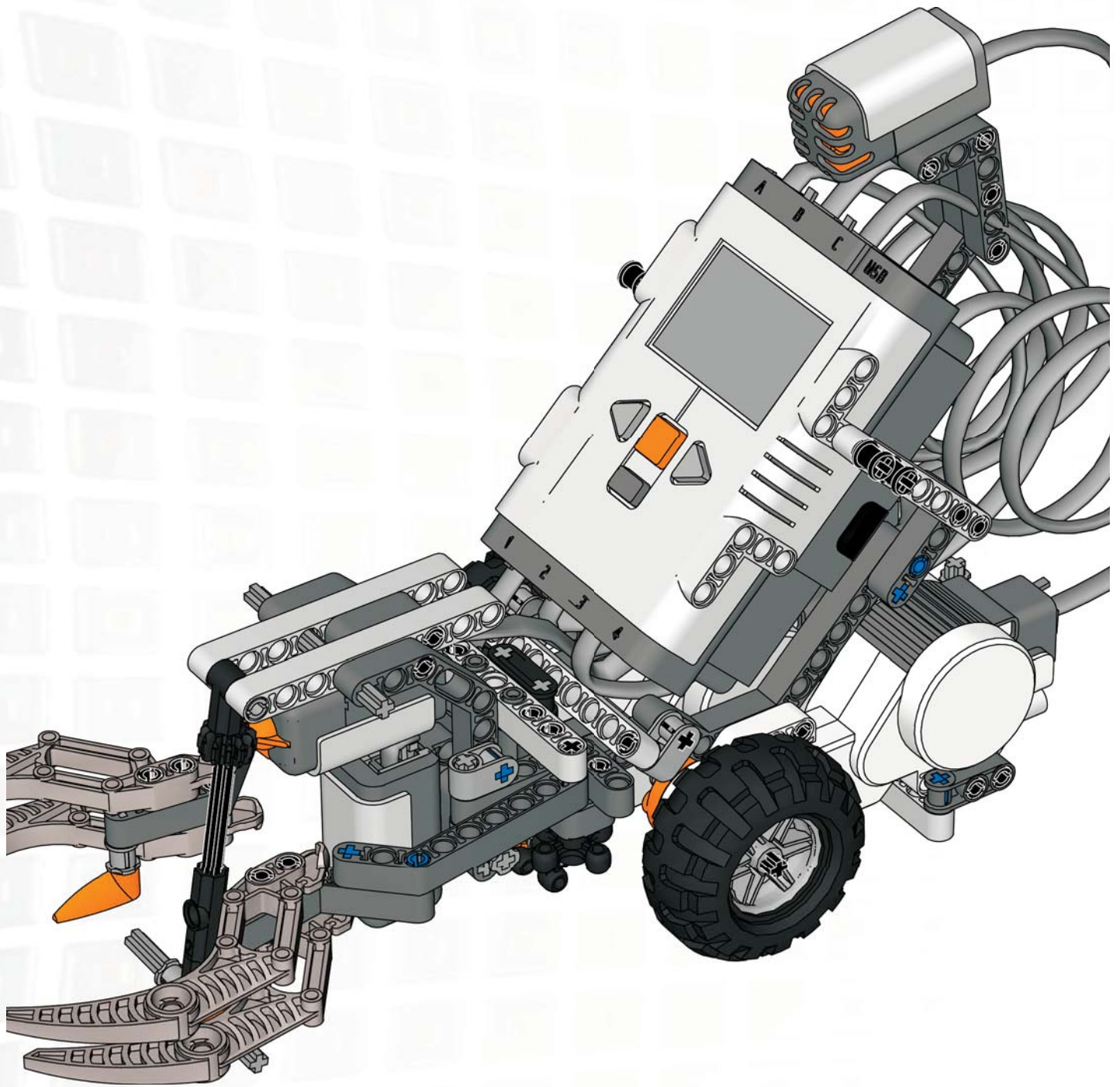
30

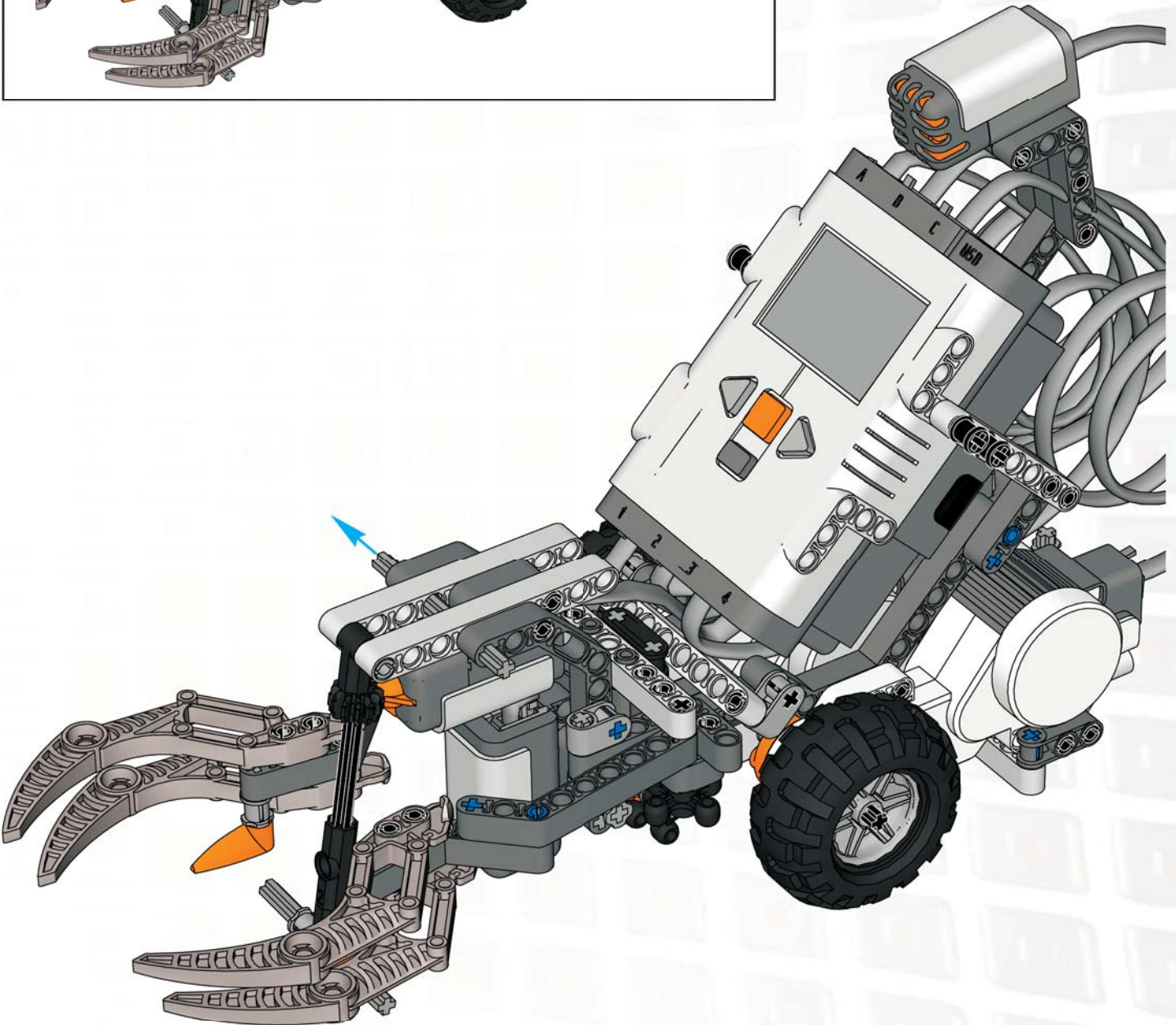
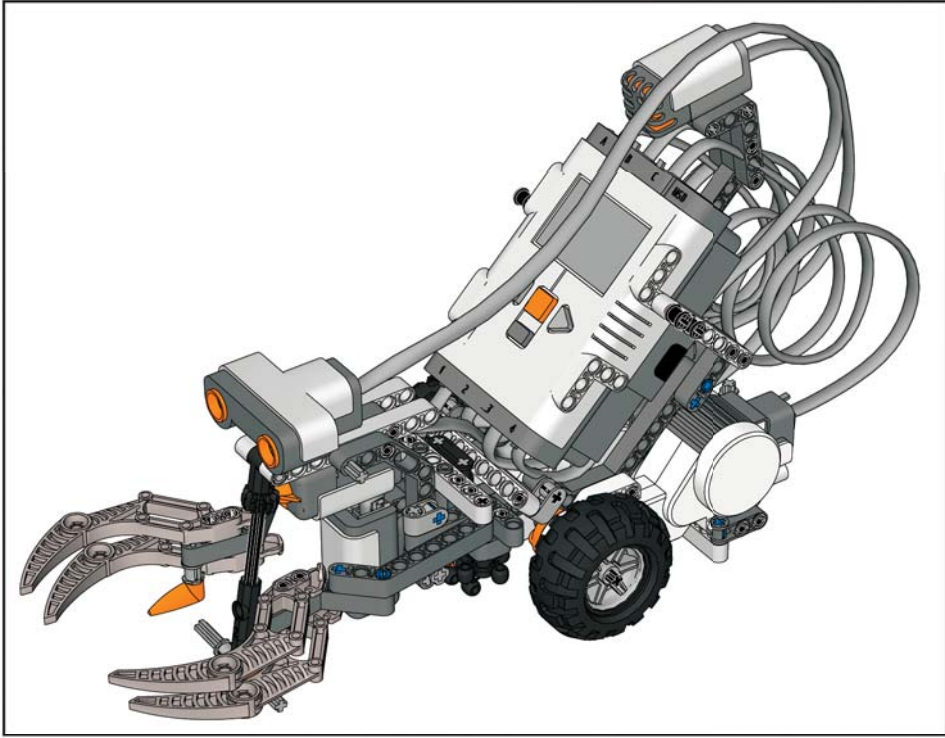




31

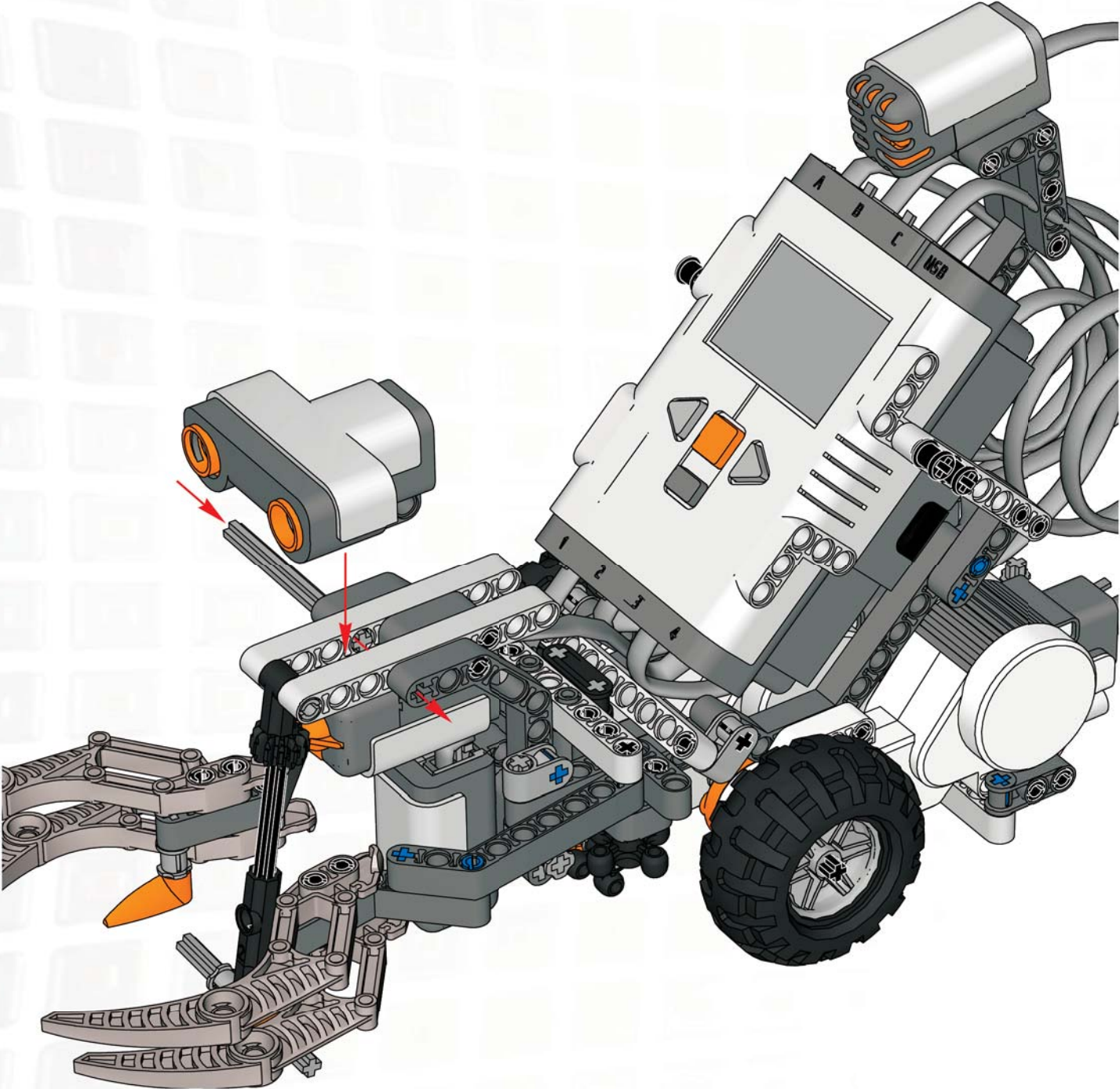


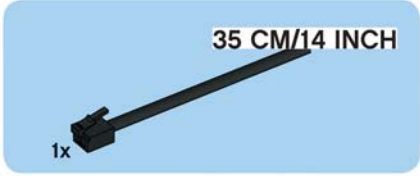




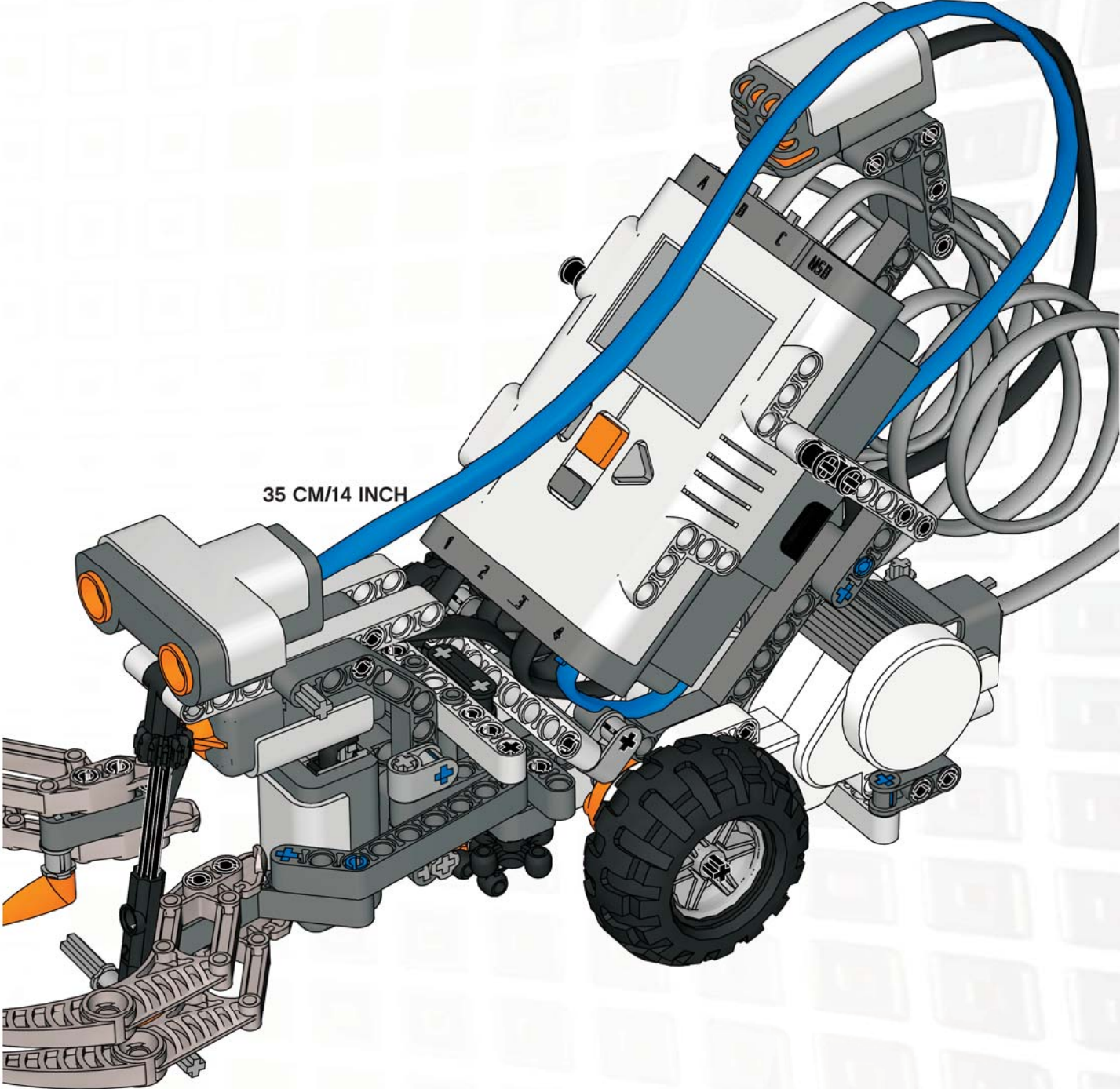


34



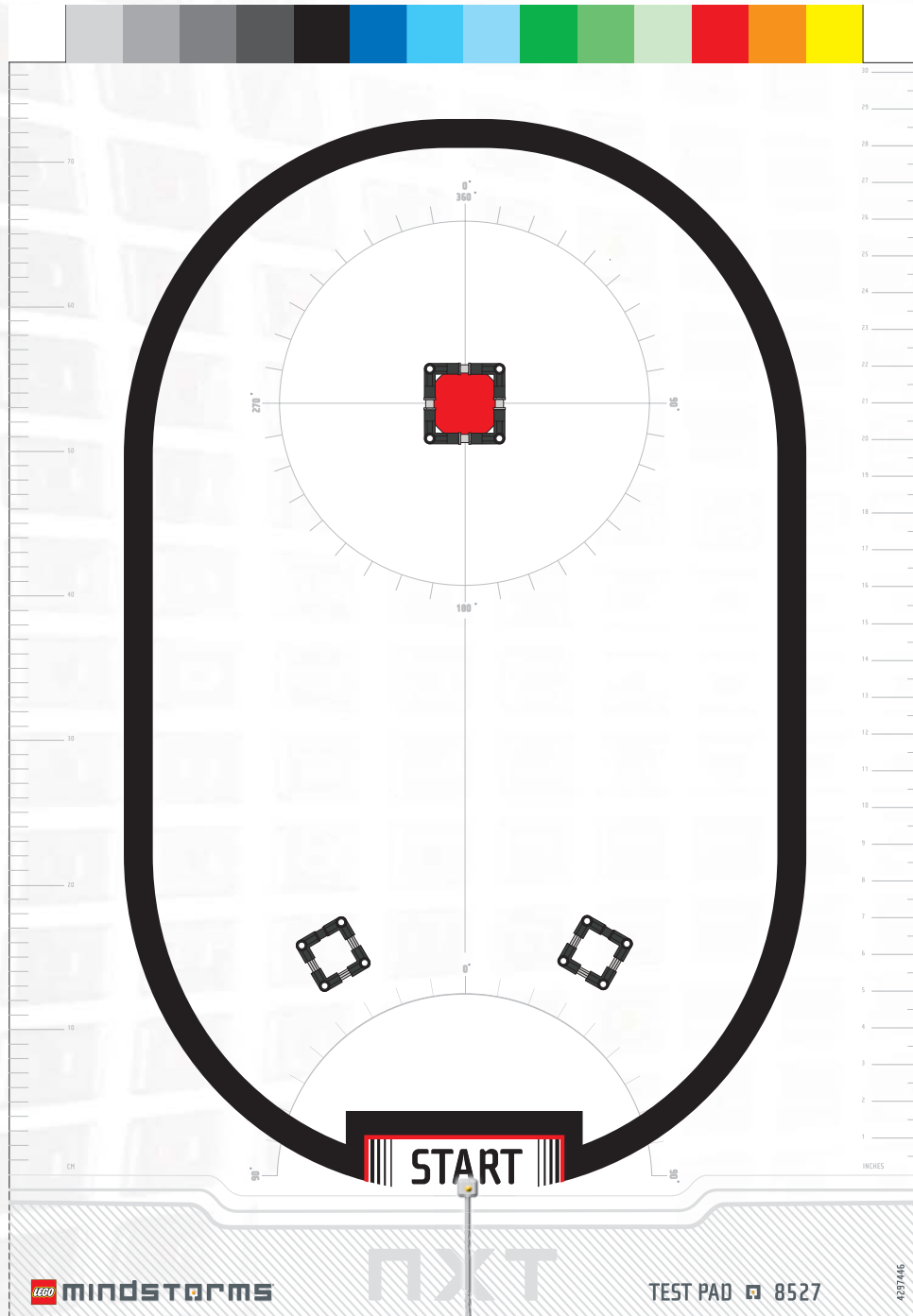


35



TEST PAD

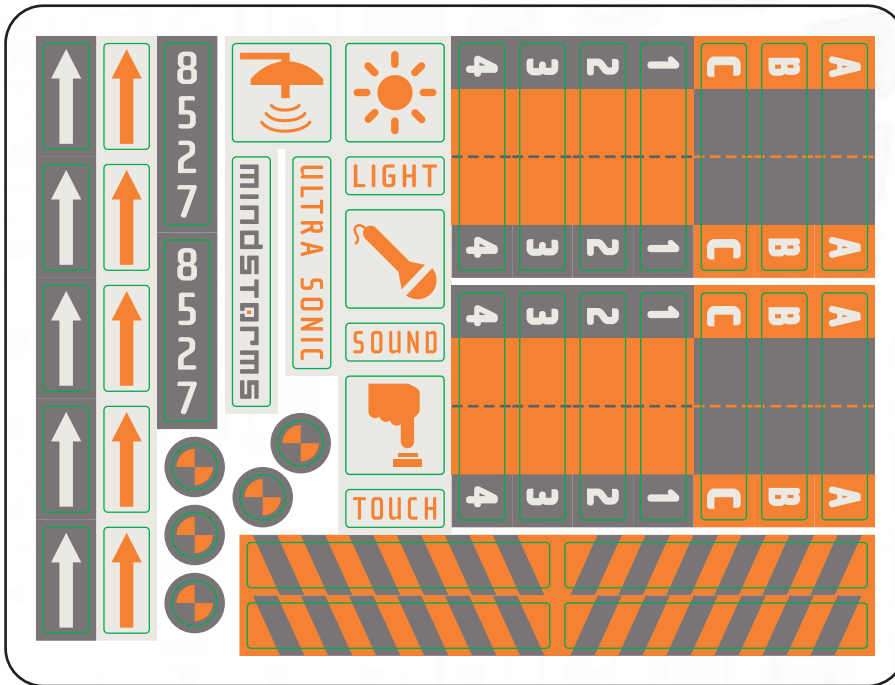
Test all your models on this test pad.



This is the starting point on the pad.

LABELS

Use these labels to decorate your robots.



You can use these labels to stick around both ends of a cable, to make sure the cable is connected to the right port.



TROUBLESHOOTING

Resetting the NXT

If the running icon stops spinning, your NXT has frozen and you will need to reset it. Follow these steps to reset your NXT:



Make sure that your NXT is turned on. Push the reset button that is located on the back of your NXT in the LEGO® Technic hole in the upper left corner. Use, for example, an unfolded paperclip to press the button. If you press the reset button for more than 4 seconds you will need to update the firmware [see below].

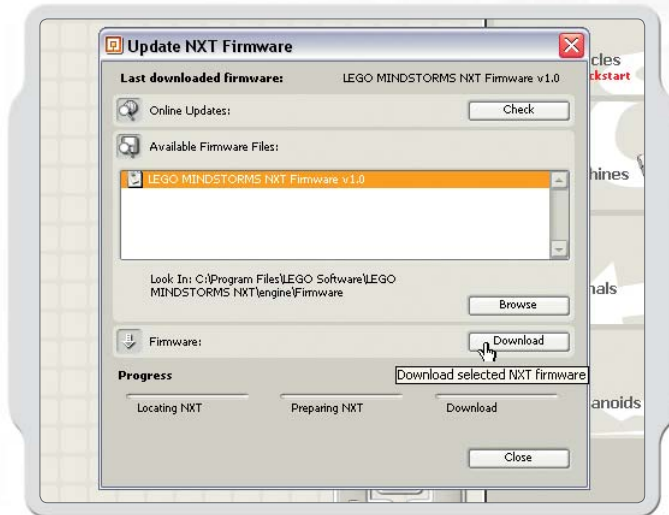
Updating the Firmware in the NXT from your computer

Go to Tools > Update NXT Firmware.



Make sure that your NXT is turned on. Note! If you have just reset your NXT (see above) the display will not show anything. A ticking sound will tell whether it is turned on or not. Make sure that your NXT and computer are connected with the USB cable. Go to the Tools pull-down menu in the software's menu bar and select Update NXT Firmware.

USEFUL INFORMATION



Select the firmware you want to update. Click download. (Note! The Windows 'Found new hardware wizard' will pop up the first time you update your firmware. Complete the wizard by following the on-screen instruction before you continue).

For other types of troubleshooting, go to www.MINDSTORMS.com/support

FCC approval:

Model: MINDSTORMS NXT FCC ID: NPI53788

This device complies with part 15 of the FCC Rules. Operation is subject to the following 2 conditions:

1. This device may not cause harmful interference.
2. This device must accept any interference received including interference that may cause undesired operation.

Warning:

Changes or modifications to this unit not expressly approved by the party responsible for compliance could void the user's authority to operate the equipment.

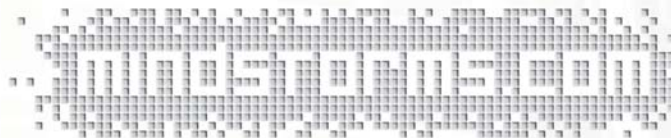
NOTE:

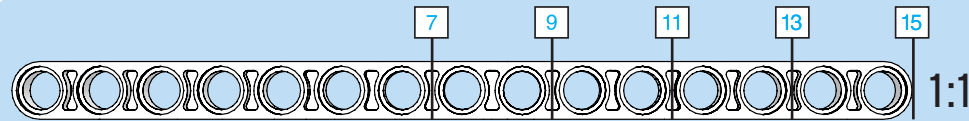
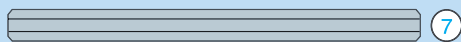
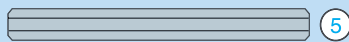
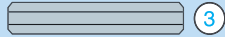
This equipment has been tested and found to comply with the limits for a Class B digital device, pursuant to part 15 of the FCC Rules. These limits are designed to provide reasonable protection against harmful interference in a residential installation. This equipment generates, uses and can radiate radio frequency energy and, if not installed and used in accordance with the instructions, may cause harmful interference to radio communications. However, there is no guarantee that interference will not occur in a particular installation. If this equipment does cause harmful interference to radio or television reception, which can be determined by turning the equipment off and on, the user is encouraged to try to correct the interference by one or more of the following measures:

- Reorient or relocate the receiving antenna.
- Increase the separation between the equipment and receiver.
- Connect the equipment into an outlet on a circuit different from that to which the receiver is connected.

Consult the dealer or an experienced radio/TV technician for help.

Hereby LEGO Company declares that MINDSTORMS NXT (8527) is in compliance with the essential requirements and other relevant provisions of Directive 199/5/E.





Quick Build
Schnellbaumodelle
Construction rapide
Costruzione rapida
Snel bouwen
Construcción rápida
Byg hurtigt
Nopeaan rakentamiseen
Bygg snabbt
Construção Rápida
Γρήγορες Κατασκευές
Kísérletezőknek



Experienced Build
Könnnermodelle
Construction normale
Costruzione esperta
Bouwen voor gevorderden
Construcción experta
Byg videre
Kokeneelle rakentajalle
Bygg mer
Construção para Experimentados
Επιδέξιες Κατασκευές
Haladóknak



Advanced Build
Profimodelle
Construction avancée
Costruzione avanzata
Geavanceerd bouwen
Construcción avanzada
Byg avanceret
Taitavalle rakentajalle
Bygg avancerat
Construção Avançada
Εξελιγμένες Κατασκευές
Profiknak



→ A B C



→ 1



→ 2



→ 3



→ 4

LEGO MINDSTORMS

BLUETOOTH is a trademark owned by Bluetooth SIG, Inc. and licensed to the LEGO Group.

LEGO, the LEGO logo and MINDSTORMS are trademarks of the LEGO Group.

©2006 The LEGO Group. 4499268

Other product and company names listed are trademarks or trade names of their respective companies