

# LENNOX

Industries Inc.

## INSTALLATION INSTRUCTIONS

501,042M  
2/73

**ELECTRIC UNIT  
KIT**

**FUSE PANEL KIT FOR ES2 & ECB6 UNITS  
(PR-241 / 242 / 243)**

**INSTALLATION INSTRUCTIONS FOR FUSE PANEL KITS (PR-241/242/243)  
FOR ES2 AND ECB6 SERIES UNITS**

### I—SHIPPING AND PACKING LIST

Package 1 of 1 Contains

1—Fuse panel with fuse blocks and fuses

*NOTE—Refer to Table 1 for unit application and number of fuse blocks and 50 AMP fuses provided.*

### II—PURPOSE

This kit provides fusing for subdivided circuits on units rated

more than 48 amperes per NEC Section 424.22 (C).

### III—INSTALLATION

1—Mount fuse panel complete with fuse blocks and fuses in an accessible location close to the unit.

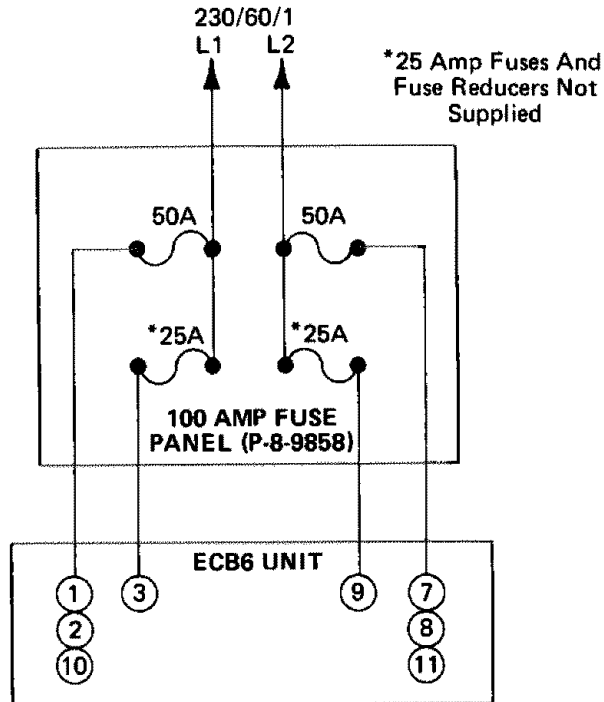
2—Bring in power to fuse box and complete wiring as dictated in Field Wiring Diagrams in this instruction.

**TABLE 1**

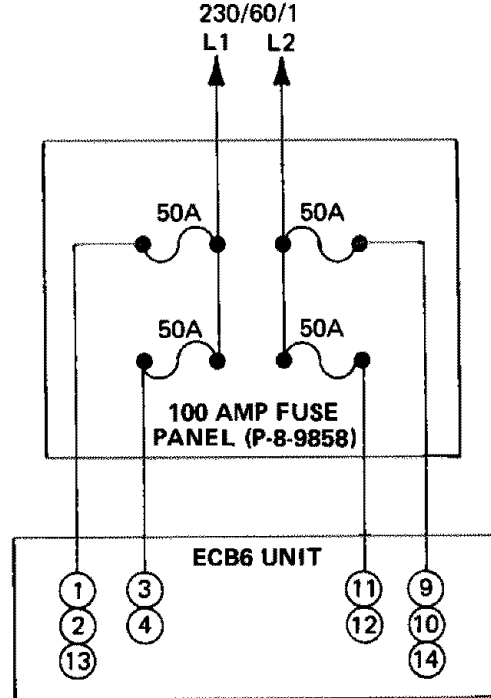
UNIT MODEL NO.	PR KIT NO.	50 AMP FUSES (PROVIDED)	FUSE BLOCKS (PROVIDED)	FUSE PANEL
E2D-511 ES2-511 ECB6-48-2 ECB6-51/65-48-2 ES2D-681 ES2-681 ECB6-64-2 ECB6-51/65-64-2	PR-241	4	2	100 AMP
ECB6-80-2 ECB6-51/65-80-2	PR-242	4	3	100 AMP
ECB6-65-96-1 ECB6-112-1	PR-243	6	4	150 AMP

# APPLICATION WIRING FOR PR-241 FUSE PANEL

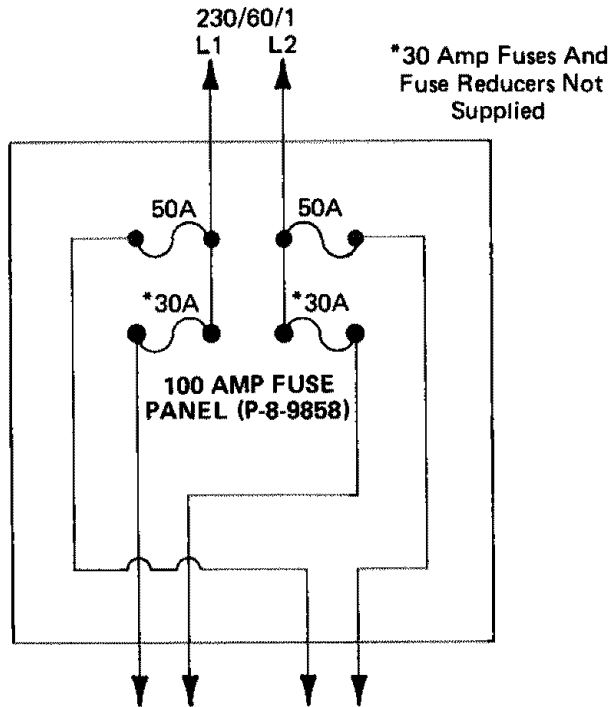
524,213W



**ECB6-48-2  
ECB6-51/65-48-1**

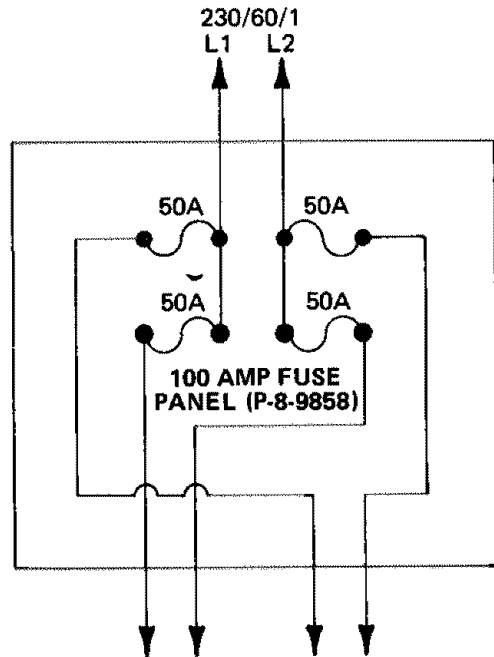


**ECB6-64-2  
ECB6-51/65-64-1**



Refer To Unit Wiring Diagram For Proper Connections

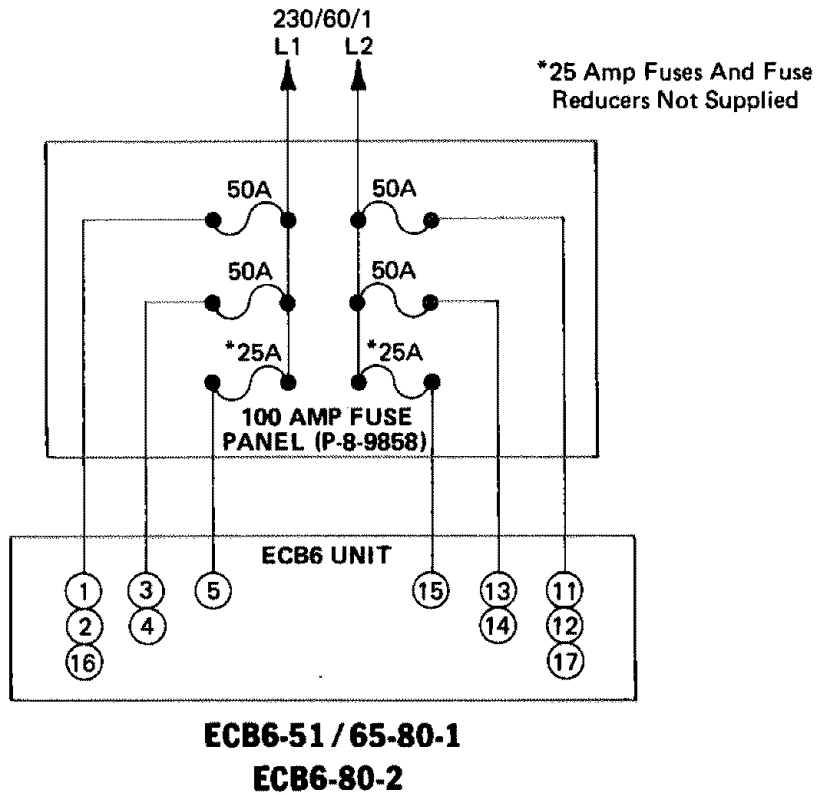
**ESD2-511-2 & ES2-511-2**



Refer To Unit Wiring Diagram For Proper Connections

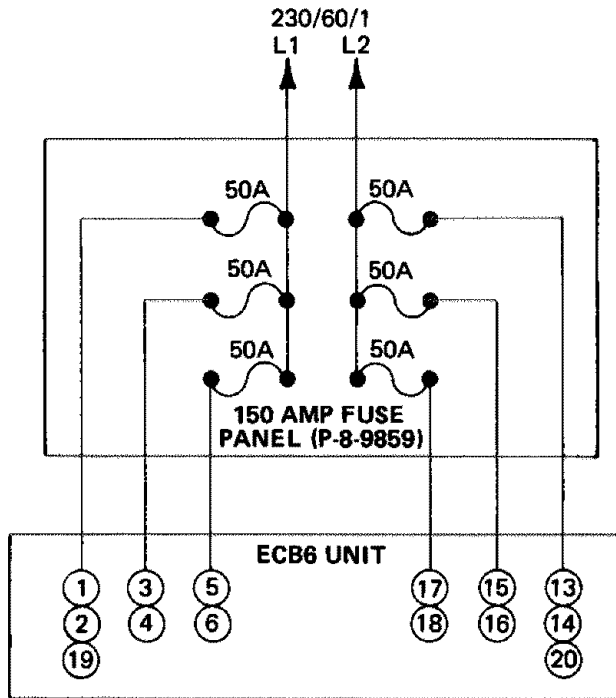
**ESD2-681-2  
ES2-681-2**

# APPLICATION WIRING FOR PR-242 FUSE PANEL 524,214W

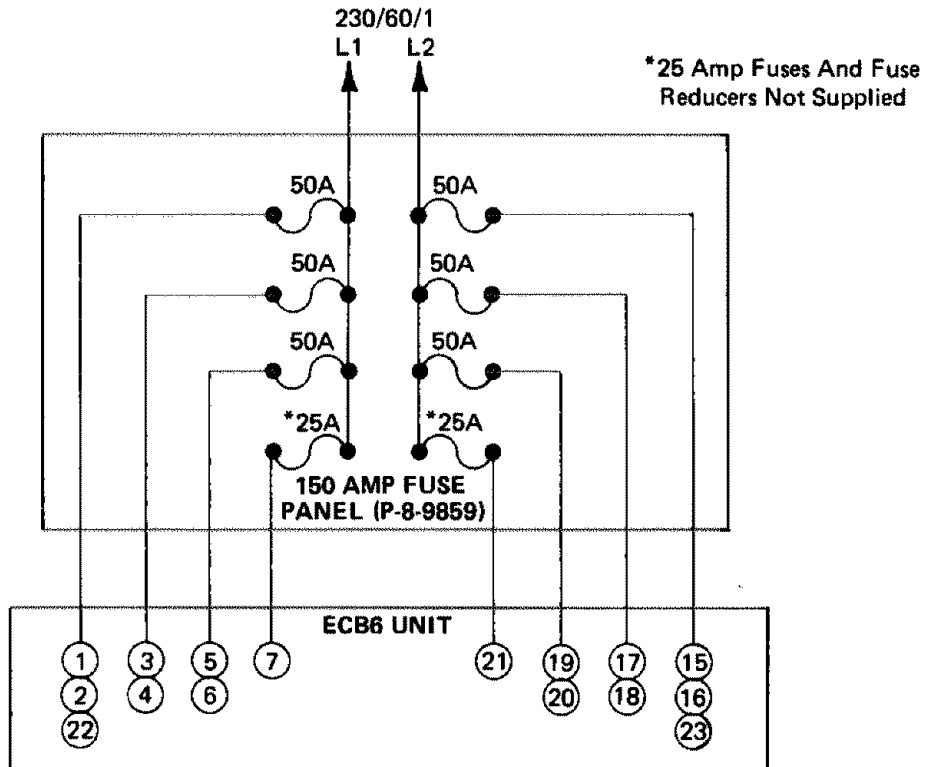


# APPLICATION WIRING FOR PR-243 FUSE PANEL

524,215W



**ECB6-65-96-1**



**ECB6-112-1**