

INSTALLATION INSTRUCTIONS FOR COMBUSTION AIR INDUCER REPLACEMENT KITS (47M55, 57M85 AND 83M56) USED WITH G41UF, G43UF, G51MP & G61MP(V) UNITS

Shipping & Package List

Package 1 of 1 contains the following:

- 1 - Combustion air inducer
- 1 - Gasket

Application

Combustion air inducer replacement kits 47M55, 57M85 and 83M56 are used with units as detailed below.

Unit Model Number	Kit Number
G41UF	47M55
G43UF-045 G43UF-070 G43UF-090-01, -02 G43UF-110-01, -02, -03 G43UF-135-01, -02, -03	47M55
G43UF-090-03, -04 G43UF-110-04 G43UF-135-04	83M56
G51MP-045 G51MP-070 G51MP-090-01, -02 G51MP-110-01, -02 G51MP-135-01, -02	47M55
G51MP-090-03, -04 G51MP-110-03 G51MP-135-03	83M56
G61MP(V)	57M85

Installation

⚠ WARNING

Improper installation, adjustment, alteration, service or maintenance can cause property damage, personal injury or loss of life. Installation and service must be performed by a qualified installer or service agency.

⚠ CAUTION

As with any mechanical equipment, personal injury can result from contact with sharp sheet metal edges. Be careful when you handle this equipment.

1. Set the thermostat to the lowest setting. Shut off the gas supply to the furnace; then disconnect the electrical power.
2. Remove the upper access panel on the furnace.
3. Disconnect the electrical power wiring harness from the combustion air inducer. Disconnect the ground wire.
4. Loosen the hose clamp that secures the combustion air inducer to the flue tee assembly (see figure 1).

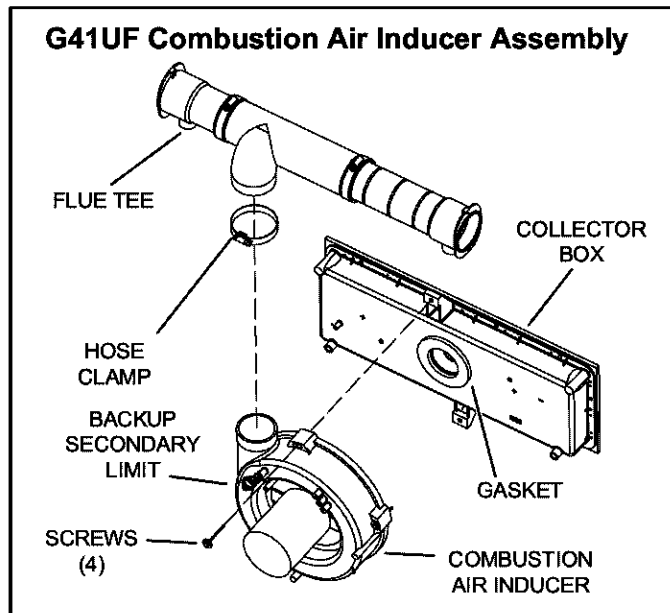


Figure 1



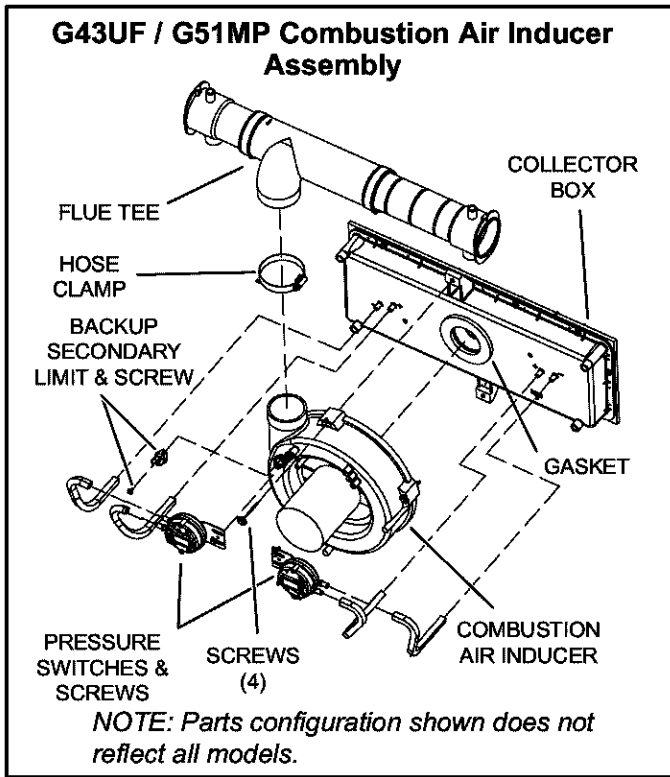


Figure 2

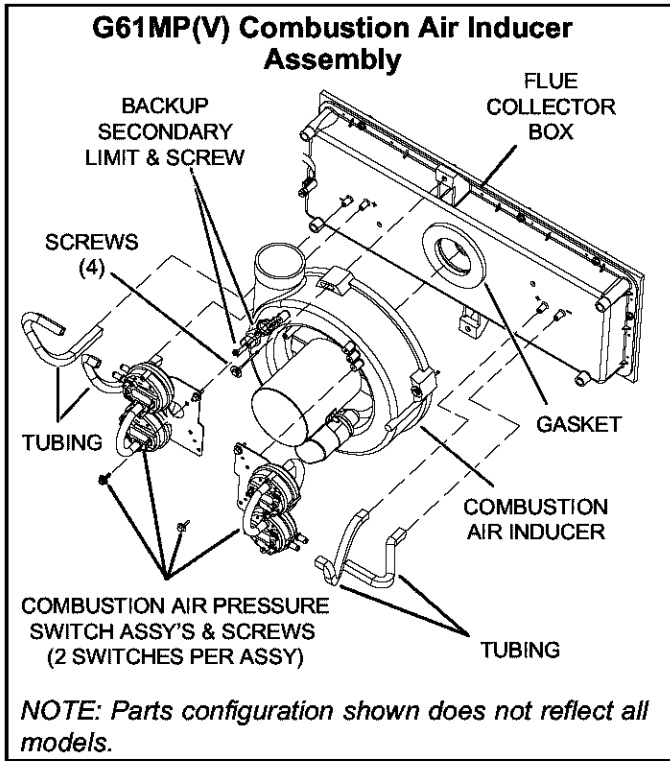


Figure 3

5. **G43UF, G51MP and G61MP(V) Units Only** — Combustion air pressure proving switches are secured to combustion air inducer. Disconnect tubing from pressure switches. Remove screws which secure pressure switches to existing combustion air inducer (see figures 2 and 3). Set pressure switches aside for re-installation.
6. Remove the screw which secures the backup secondary limit to the combustion air inducer. Remove the limit and set it aside for re-installation.
7. Remove four screws which secure the combustion air inducer to the collector box and remove the combustion air inducer from the furnace (see figures 1, 2 and 3).
8. Remove the gasket from the front of the collector box. Install the replacement gasket before installing the replacement inducer.
9. Use the existing screws to secure the replacement combustion air inducer to the collector box. Use a torque wrench to tighten screws to 30 in. lbs. (339 N-cm).
10. Use the existing screw to re-install the existing backup secondary limit on the replacement combustion air inducer. Use a torque wrench to tighten the screw to 5 in. lbs. (56 N-cm).
11. **G43UF, G51MP and G61MP(V) Units Only** — Use existing screws to re-install existing combustion air pressure proving switches on replacement combustion air inducer housing. Use a torque wrench to tighten screws to 15 in. lbs. (169 N-cm).

⚠ WARNING

Improper installation, adjustment, alteration, service or maintenance can cause property damage, personal injury or loss of life. Installation and service must be performed by a qualified installer or service agency.

The pressure switch tubing must be installed properly to ensure operation of the differential pressure switch.

12. Re-attach the pressure switch tubing as shown in figures 4 and 5).
13. Use existing hose clamp to secure replacement combustion air inducer to flue tee assembly.
14. Connect existing wiring harness to replacement inducer and reconnect ground wire.
15. Restore electrical power and gas supply to the furnace.
16. Refer to the unit installation instructions for proper start-up procedure.

Pressure Switch / Collector Box Tubing Circuitry for G43UF / G51MP Units

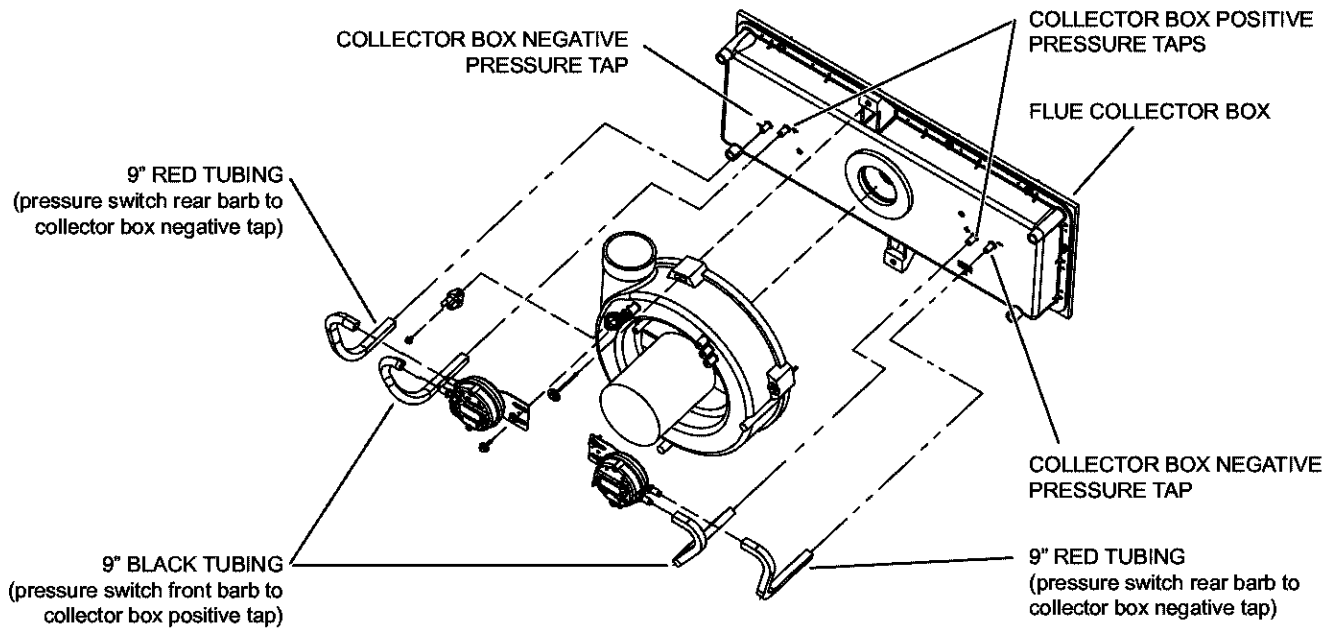


Figure 4

Pressure Switch / Collector Box Tubing Circuitry for G61MP(V) Unit

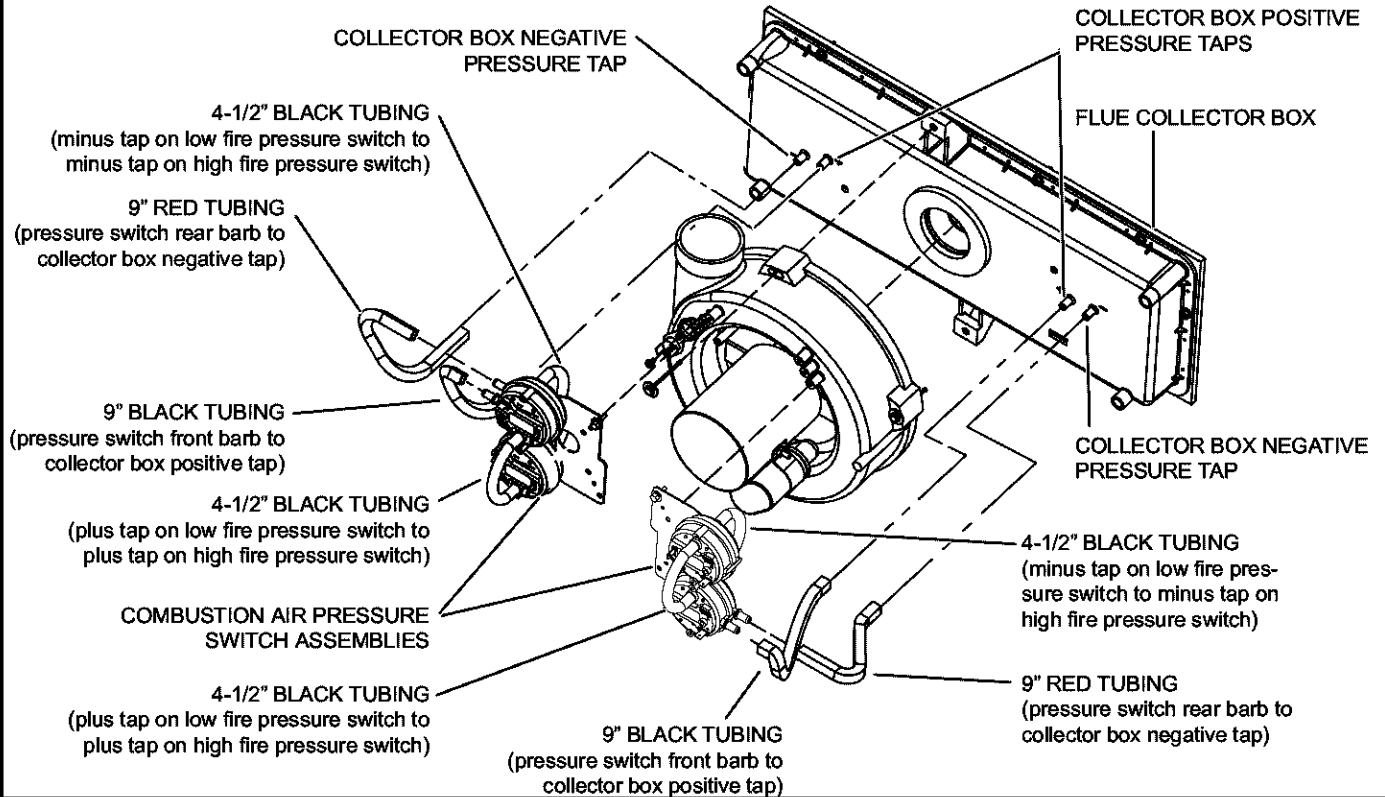


Figure 5