

## REPLACEMENT COMBUSTION AIR BLOWER

### INSTALLATION INSTRUCTIONS FOR REPLACEMENT COMBUSTION AIR BLOWER KIT LB-65734H (14L67) FOR USE ON G32 SERIES FURNACES

#### SHIPPING AND PACKING LIST

##### Package 1 of 1 contains:

- 1 - Combustion air blower assembly
- 3 - Orifices
- 1 - Replacement blower gasket

#### APPLICATION

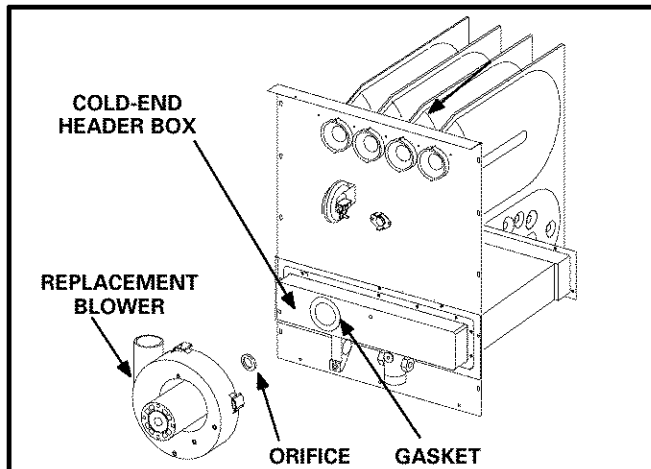
The replacement combustion air blower fits all sizes of G32 series units. Only one orifice should be used when replacing blower. See table 1 for G32 furnace model numbers and the appropriate orifice catalog number and color.

**TABLE 1**  
**REPLACEMENT COMBUSTION AIR BLOWER KIT**

UNIT MODEL NUMBER	ORIFICE CAT. NUMBER	ORIFICE COLOR
G32-75	12L48	Red
G32-100	18J16	Blue
G32-125	67K03	White

#### INSTALLATION

- 1 - Turn off electrical power and gas supply to the furnace.
- 2 - Remove the upper access panel.
- 3 - Disconnect the plug and jack in the wiring harness supplying electrical power to the combustion air blower assembly.
- 4 - Disconnect the flexible pressure switch hose from the stand-off tube on the combustion air blower housing. There is no need to disconnect the hose from the pressure switch.
- 5 - Loosen the flue transition to combustion air blower clamp.
- 6 - Remove four screws securing the combustion air blower assembly to the cold-end header box and remove the combustion air blower assembly from the furnace. See figure 1.



**FIGURE 1**

- 7 - Remove the gasket from the front of the cold-end header box. Install the replacement gasket on the cold-end header box.
- 8 - Select the appropriate orifice according to table 1. DO NOT use the original orifice. Use only the orifice designed for each size unit.
- 9 - Install replacement combustion air blower and secure with four screws used on original blower.
- 10 - Tighten the flue transition to combustion air blower clamp.
- 11 - Reconnect flexible pressure switch hose to stand-off on blower housing.
- 12 - Reconnect plug and jack at blower assembly. Replace upper access panel.
- 13 - Restore electrical power and gas supply to the furnace.
- 14 - Refer to the unit installation instructions for start-up procedure.