



QUICK REFERENCE GUIDE LED LCD TV

Please read this manual carefully before operating your set and retain it for future reference.

LT560C series

LICENSES

Supported licenses may differ by model. For more information about licenses, visit www.lg.com.



Manufactured under license from Dolby Laboratories. "Dolby" and the double-D symbol are trademarks of Dolby Laboratories.



HDMI, the HDMI logo and High-Definition Multimedia Interface are trademarks or registered trademarks of HDMI Licensing LLC.



ABOUT DIVX VIDEO: DivX® is a digital video format created by DivX, LLC, a subsidiary of Rovi Corporation. This is an official DivX Certified® device that plays DivX video. Visit divx.com for more information and software tools to convert your files into DivX video.

ABOUT DIVX VIDEO-ON-DEMAND: This DivX Certified® device must be registered in order to play purchased DivX Video-on-Demand (VOD) movies. To obtain your registration code, locate the DivX VOD section in your device setup menu. Go to vod.divx.com for more information on how to complete your registration.

"DivX Certified® to play DivX® video up to HD 1080p, including premium content."

"DivX®, DivX Certified® and associated logos are trademarks of Rovi Corporation or its subsidiaries and are used under license."

"Covered by one or more of the following U.S. patents:
7,295,673; 7,460,668; 7,515,710; 7,519,274"

OPEN SOURCE SOFTWARE NOTICE


To obtain the source code under GPL, LGPL, MPL and other open source licenses, that is contained in this product, please visit <http://opensource.lge.com>.

In addition to the source code, all referred license terms, warranty disclaimers and copyright notices are available for download.

LG Electronics will also provide open source code to you on CD-ROM for a charge covering the cost of performing such distribution (such as the cost of media, shipping and handling) upon email request to opensource@lge.com. This offer is valid for three (3) years from the date on which you purchased the product.


IMPORTANT SAFETY INSTRUCTIONS

Always comply with the following precautions to avoid dangerous situations and ensure peak performance of your product.





WARNING

RISK OF ELECTRIC SHOCK
DO NOT OPEN



TO REDUCE THE RISK OF ELECTRIC SHOCK DO NOT REMOVE COVER (OR BACK). NO USER SERVICEABLE PARTS INSIDE. REFER TO QUALIFIED SERVICE PERSONNEL.

 The lightning flash with arrowhead symbol, within an equilateral triangle, is intended to alert the user to the presence of uninsulated "dangerous voltage" within the product's enclosure that may be of sufficient magnitude to constitute a risk of electric shock to persons.

 The exclamation point within an equilateral triangle is intended to alert the user to the presence of important operating and maintenance (servicing) instructions in the literature accompanying the appliance.

WARNING

TO REDUCE THE RISK OF FIRE AND ELECTRIC SHOCK, DO NOT EXPOSE THIS PRODUCT TO RAIN OR MOISTURE.

CAUTION

Do not attempt to modify this product in any way without written authorization from LG Electronics. Unauthorized modification could void the user's authority to operate this product.

- Read these instructions.
- Keep these instructions.
- Heed all warnings.
- Follow all instructions.
- Do not use this apparatus near water.
- Clean only with a dry cloth.
- Do not block any ventilation openings. Install in accordance with the manufacturer's instructions.
- Do not install near any heat sources such as radiators, heat registers, stoves, or other apparatus (including amplifiers) that produce heat.
- Do not defeat the safety purpose of the polarized or grounding-type plug. A polarized plug has two blades with one wider than the other. A grounding type plug has two blades and a third grounding prong. The wide blade or the third prong are provided for your safety. If the provided plug does not fit into your outlet, consult an electrician for replacement of the obsolete outlet (Can differ by country).
- Protect the power cord from being walked on or pinched particularly at plugs, convenience receptacles, and the point where they exit from the apparatus.
- Only use attachments/accessories specified by the manufacturer.
- Use only with a cart, stand, tripod, bracket, or table specified by the manufacturer, or sold with the apparatus. When a cart is used, use caution when moving the cart/apparatus combination to avoid injury from tip-over.
- Refer all servicing to qualified service personnel. Servicing is required when the apparatus has been damaged in any way, such as power-supply cord or plug is damaged, liquid has been spilled or objects have fallen into the apparatus, the apparatus has been exposed to rain or moisture, does not operate normally, or has been dropped.
- Never touch this apparatus or antenna during a thunder or lightning storm.

ENGLISH

- When mounting a TV on the wall, make sure not to hang the TV by its power and signal cables.
- Do not allow an impact shock or any objects to fall into the product, and do not drop objects onto the screen.
- **Power Cord**
Caution: It is recommended that appliances be placed upon a dedicated circuit; that is, a single outlet circuit which powers only that appliance and has no additional outlets or branch circuits. Check the specification page in the Owner's Manual to be certain.
Periodically examine the cord of your appliance, and if its appearance indicates damage or deterioration, unplug it, discontinue use of the appliance, and have the cord replaced with an exact replacement part by an authorized service. Protect the power cord from physical or mechanical abuse, such as being twisted, kinked, pinched, closed in a door, or walked upon. Pay particular attention to plugs, wall outlets, and the point where the cord exits the appliance. Do not move the TV with the power cord plugged in. Do not use a damaged or loose power cord. Be sure to grasp the plug when unplugging the power cord. Do not pull on the power cord to unplug the TV.
- **Overloading**
Do not connect too many appliances to the same AC power outlet as this could result in fire or electric shock. Do not overload wall outlets. Overloaded wall outlets, loose or damaged wall outlets, extension cords, frayed power cords, or damaged or cracked wire insulation are dangerous. Any of these conditions could result in fire or electric shock.
- **Outdoor Use/Wet Location**
Warning: To reduce the risk of fire or electrical shock, do not expose this product to rain, moisture or other liquids.
Do not touch the TV with wet hands. Do not install this product near flammable objects, such as gasoline or candles, or expose the TV to direct air conditioning.
Do not expose to dripping or splashing and do not place objects filled with liquids, such as vases, cups, etc., on or over the apparatus (e.g. on shelves above the unit).

- **Grounding**

Ensure that you connect the earth ground wire to prevent possible electric shock (i.e. a TV with a three-prong grounded AC plug must be connected to a three-prong grounded AC outlet). If grounding methods are not possible, have a qualified electrician install a separate circuit breaker. Do not try to ground the unit by connecting it to telephone wires, lightning rods, or gas pipes.

- **Disconnect Device**

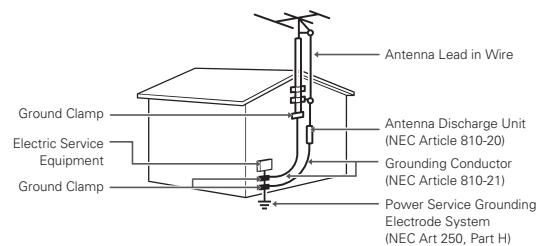
The power outlet must remain readily accessible in the event the device needs to be unplugged.

As long as this unit is connected to the AC wall outlet, it is not disconnected from the AC power source even if the unit is turned off.

- **Outdoor Antenna Grounding**

If an outdoor antenna is installed, follow the precautions below. An outdoor antenna system should not be located in the vicinity of overhead power lines or other electric light or power circuits, or where it can come in contact with such power lines or circuits as death or serious injury can occur. Be sure the antenna system is grounded so as to provide some protection against voltage surges and built-up static charges. Article 810 of the National Electrical Code (NEC) in the U.S.A. provides information with respect to proper grounding of the mast and supporting structure, grounding of the lead-in wire to an antenna discharge unit, size of grounding conductors, location of antenna discharge unit, connection to grounding electrodes, and requirements for the grounding electrode.

Antenna Grounding According to National Electrical Code, ANSI/NFPA 70



• **Cleaning**

When cleaning, unplug the power cord and wipe gently with a soft cloth to prevent scratching. Do not spray water or other liquids directly on the TV as electric shock may occur. Do not clean with chemicals such as alcohol, thinners or benzine.

• **Transporting Product**

Make sure the TV is turned off and unplugged and that all cables have been removed. It may take two or more people to carry larger TVs. Do not press against or put stress on the front panel of the TV during transport.

• **Ventilation**

Install the TV where there is proper ventilation. Do not install in a confined space such as a bookcase. Do not cover the product with cloth or other materials while it is plugged in. Do not install in excessively dusty places.

- Do not touch the ventilation openings. If the TV is turned on for a long period, the ventilation openings may become hot. This does not affect the performance of the product or cause defects in the product.
- If you smell smoke or other odors coming from the TV, unplug the power cord and contact an authorized service center.
- Do not press strongly upon the panel with your hand or a sharp object such as a nail, pencil or pen, or make a scratch on it.
- Keep the product away from direct sunlight.

• **Dot Defect**

The LCD panel is a high technology product with resolution of two million to six million pixels. In a very few cases, you could see fine dots on the screen while you are viewing the TV. Those dots are deactivated pixels and do not affect the performance and reliability of the TV.

• **Generated Sound**

“Cracking”: A cracking noise that occurs while the TV is on or when it is turned off is generated by plastic thermal contraction due to temperature and humidity. This noise is common for products where thermal deformation is required.

Electrical circuit humming/panel buzzing: A low level noise is generated from a high-speed switching circuit, which supplies

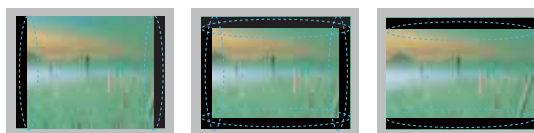
a large amount of current to operate a product. It varies depending on the product. This generated sound does not affect the performance and reliability of the product.

- If the TV feels cold to the touch, there may be a small “flicker” when it is turned on. This is normal; there is nothing wrong with TV. Some minute dot defects may be visible on the screen, appearing as tiny red, green, or blue spots. However, they have no adverse effect on the TV’s performance. Avoid touching the LCD screen or holding your finger(s) against it for long periods of time. Doing so may produce some temporary distortion effects on the screen.

DISPOSAL (Hg lamp only used in LCD TVs)

The fluorescent lamp used in this product contains a small amount of mercury. Do not dispose of this product with general household waste. Disposal of this product must be carried out in accordance to the regulations of your local authority.

Prevent “Image Burn” or “Burn-in” on the TV Screen



- If a fixed image displays on the TV screen for a long period of time, it will be imprinted and become a permanent disfigurement on the screen. This is “image burn” or “burn-in” and is not covered by the warranty.
- If the aspect ratio of the TV is set to 4:3 for a long period of time, image burn may occur on the letterboxed area of the screen.
- Avoid displaying a fixed image on the TV screen for a long period of time (two or more hours for an LCD TV) to prevent image burn.

For USA

NOTE TO CABLE/TV INSTALLER

This reminder is provided to call the CATV system installer’s attention to Article 820-40 of the National Electrical Code (U.S.A.). The code provides guidelines for proper grounding and, in particular, specifies that the cable ground shall be connected to the grounding system of the building, as close to the point of the cable entry as practical.

TABLE OF CONTENTS

2	LICENSES	13	REMOTE CONTROL
2	OPEN SOURCE SOFTWARE NOTICE	15	GENERAL TROUBLESHOOTING
3	IMPORTANT SAFETY INSTRUCTIONS	16	SPECIFICATIONS
6	TABLE OF CONTENTS		
6	Additional Information		
7	INSTALLATION PROCEDURE		
7	ASSEMBLING AND PREPARING		
7	Unpacking		
9	Parts and buttons		
10	Setting up the TV		
10	- Attaching the stand		
11	- Mounting on a table		
11	- Mounting on a wall		
12	- Tidying cables		

Additional Information

The Owner's Manual and Commercial Mode Setup Guide contain detailed information on the advanced features of these TVs. To view the extended documentation, visit our website at: www.lgsolutions.com/products. From the Products page, select **TVs, Systems & Solutions**, then **LCD TVs**, then the applicable TV. Click the **Literature & Downloads** tab at the bottom of the TV page, and select the required document(s) from the Downloads list.

FCC NOTICE

This equipment has been tested and found to comply with the limits for a Class B digital device, pursuant to Part 15 of the FCC Rules. These limits are designed to provide reasonable protection against harmful interference in a residential installation. This equipment generates, uses and can radiate radio frequency energy and, if not installed and used in accordance with the instructions, may cause harmful interference to radio communications. However, there is no guarantee that interference will not occur in a particular installation. If this equipment does cause harmful interference to radio or television reception, which can be determined by turning the equipment off and on, the user is encouraged to try to correct the interference by one or more of the following measures:

- Reorient or relocate the receiving antenna.
- Increase the separation between the equipment and the receiver.
- Connect the equipment to an outlet on a circuit different from that to which the receiver is connected.
- Consult the dealer or an experienced radio/TV technician for help.

This device complies with part 15 of the FCC Rules. Operation is subject to the following two conditions: (1) this device may not cause harmful interference and (2) this device must accept any interference received, including interference that may cause undesired operation of the device. Any changes or modifications in construction of this device which are not expressly approved by the party responsible for compliance could void the user's authority to operate the equipment.

INSTALLATION PROCEDURE

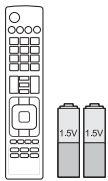
- 1 Open the package and make sure all the accessories are included.
- 2 Attach the stand to the TV set.
- 3 Connect an external device to the TV set.

ASSEMBLING AND PREPARING

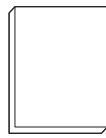
Unpacking

Check your product box for the following items. If there are any missing accessories, contact the local dealer where you purchased your product. The illustrations in this manual may differ from the actual product and item.

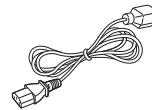
(For 32/37/42LT560C)



**Remote control,
Batteries (AAA)**
(See p.13)



Quick Reference Guide



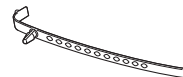
Power Cord



Stand Screws
8 EA, M4 x 14
(See p.10)



Desk-mount Screw
1 EA, M4 x 20
(See p.11)



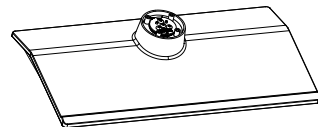
Cable holder
(See p.12)



Power Cord holder
(See p.12)



Stand body
(See p.10)



Stand base
(See p.10)

(For 22/26LT560C)



AC/DC Adapter



Protection cover

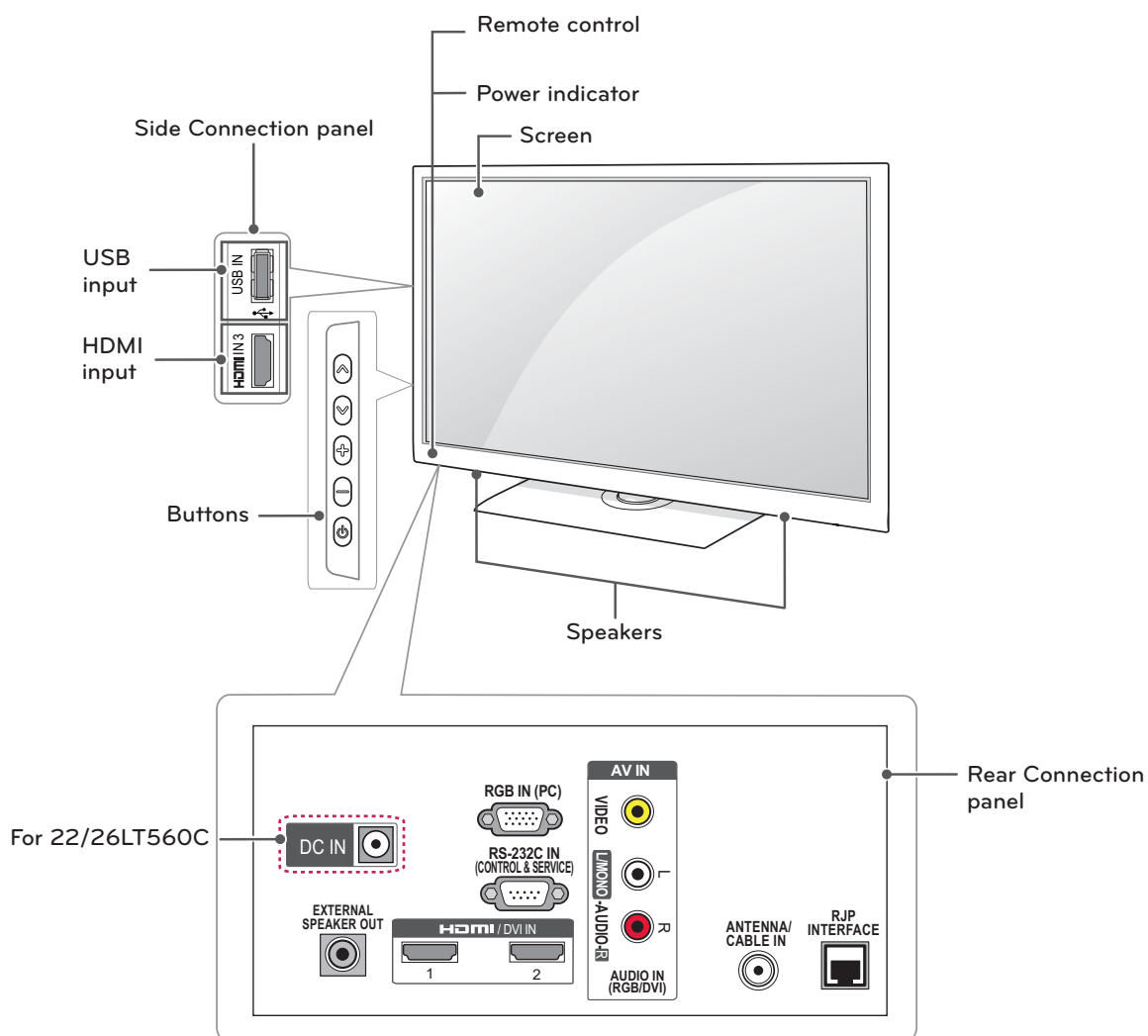
 **CAUTION**

- To ensure safety and product life span, do not use any unapproved items.
- Any damages or injuries sustained due to use of unapproved items are not covered by the warranty.
- In the case of some models, the thin film on the screen is a part of TV and should not be removed.

 **NOTE**

- The items supplied with your product will vary depending on the model.
- Product specifications and/or manual contents subject to change without prior notice due to upgrade of product functions.

Parts and buttons



ENGLISH

Button	Description
∨ ^	Scrolls through the saved channels.
- +	Adjusts the volume level.
⏻	Turns the power on or off.

NOTE

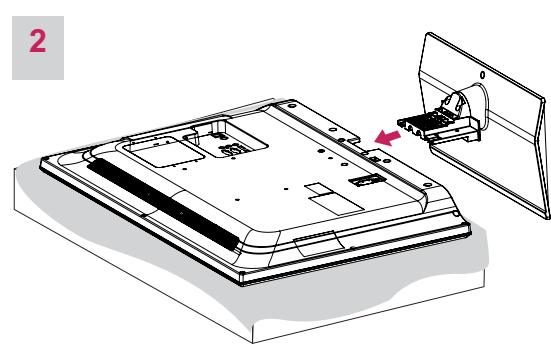
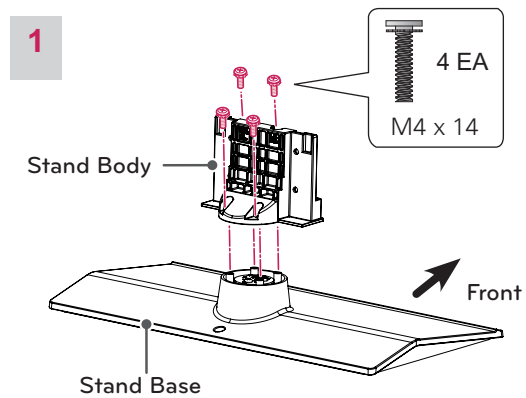
- You can set the power indicator light to on or off by selecting **OPTION** in the main menus.

Setting up the TV

Put your TV on a pedestal stand and mount the TV on a table or wall.

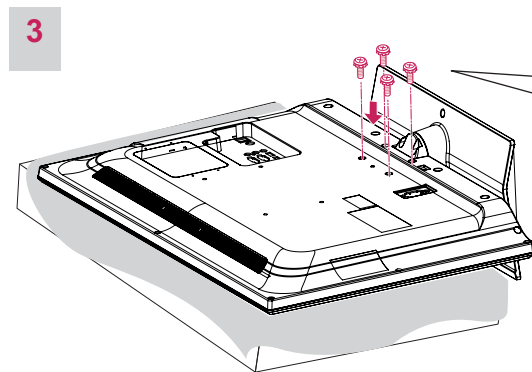
Attaching the stand

If you are not mounting the TV to a wall, use the following instructions to attach the stand.



! CAUTION

- When attaching the stand to the TV set, place the screen facing down on a cushioned table or flat surface to protect the screen from scratches.

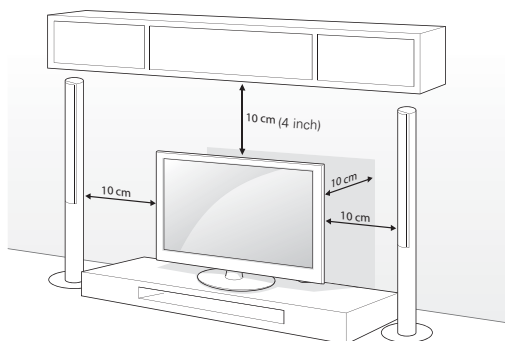


! CAUTION

- Tighten the screws firmly to prevent the TV from tilting forward. Do not over tighten.

Mounting on a table

- 1 Lift and tilt the TV into its upright position on a table.
 - Leave a 10 cm (4 inch) (minimum) space from the wall for proper ventilation.



- 2 Connect the power cord to a wall outlet.

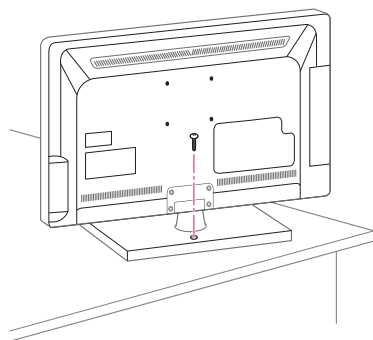


CAUTION

- Do not place the TV near or on sources of heat, as this may result in fire or other damage.

Securing the TV to a table

Fix the TV to a table to prevent from tilting forward, damage, and potential injury. To secure the TV to a table, insert and tighten the supplied screw on the rear of the stand.

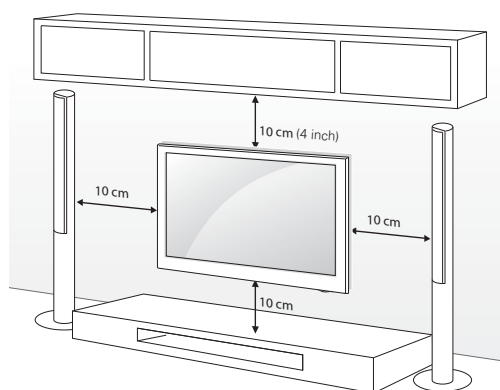


WARNING

- To prevent TV from falling over, the TV should be securely attached to the floor/wall per installation instructions. Tipping, shaking, or rocking the TV may cause injury.

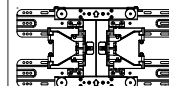
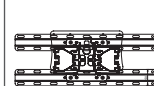
Mounting on a wall

Attach an optional wall mount bracket at the rear of the TV carefully and install the wall mount bracket on a solid wall perpendicular to the floor. When you attach the TV to other building materials, please contact qualified personnel. LG recommends that wall mounting be performed by a qualified professional installer.



Make sure to use screws and wall mount bracket that meet the VESA standard. Standard dimensions for the wall mount kits are described in the following table.

Model	32LT560C	42LT560C
VESA	200 x 100	200 x 200
Standard screw	M6	M6
Number of screws	4	4
Wall mount bracket (optional)	LSW100B, LSW100BG	LSW200B, LSW200BG



CAUTION

- Disconnect the power first, and then move or install the TV. Otherwise electric shock may occur.
- If you install the TV on a ceiling or slanted wall, it may fall and result in severe injury. Use an authorized LG wall mount and contact the local dealer or qualified personnel.
- Do not over tighten the screws as this may cause damage to the TV and void your warranty.
- Use the screws and wall mounts that meet the VESA standard. Any damages or injuries by misuse or using an improper accessory are not covered by the warranty.

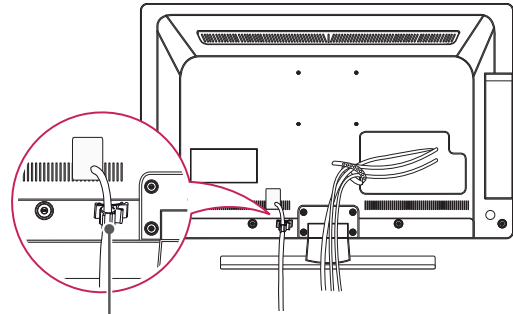
NOTE

- Use the screws that are listed on the VESA standard screw specifications.
- The wall mount kit includes an installation manual and necessary parts.
- The wall mount bracket is optional. You can obtain additional accessories from your local dealer.
- The length of screws may differ depending on the wall mount. Make sure to use the proper length.
- For more information, refer to the manual supplied with the wall mount bracket.

Tidying cables

- 1 Install the power cord holder and power cord. It will help prevent the power cable from being removed by accident.

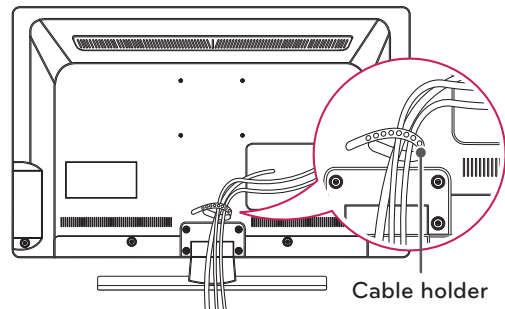
For 32/37/42LT560C



Power cord holder

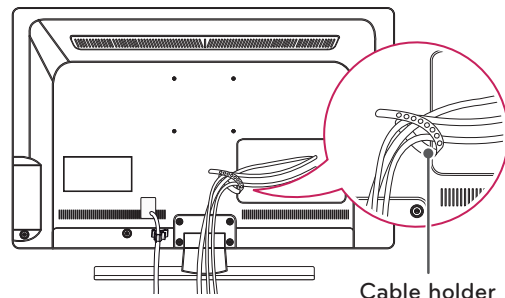
- 2 Gather and bind the cables with the cable holder.

For 22/26LT560C



Cable holder

For 32/37/42LT560C



Cable holder

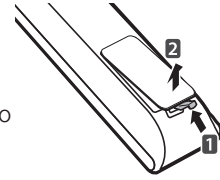
CAUTION

- Do not move the TV by holding the cable holder, as the cable holders may break, and injuries and damage to the TV may occur.

REMOTE CONTROL

The descriptions in this manual are based on the buttons on the remote control. Please read this manual carefully and use the TV correctly.

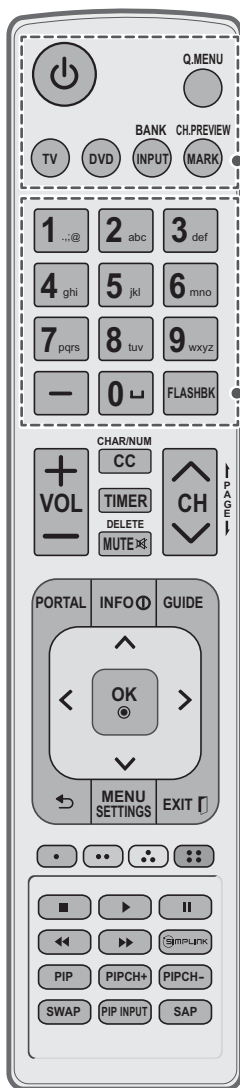
To replace batteries, open the battery cover, replace batteries (1.5 V AAA) matching the ⊕ and ⊖ ends to the label inside the compartment, and close the battery cover. To remove the batteries, perform the installation actions in reverse.



CAUTION

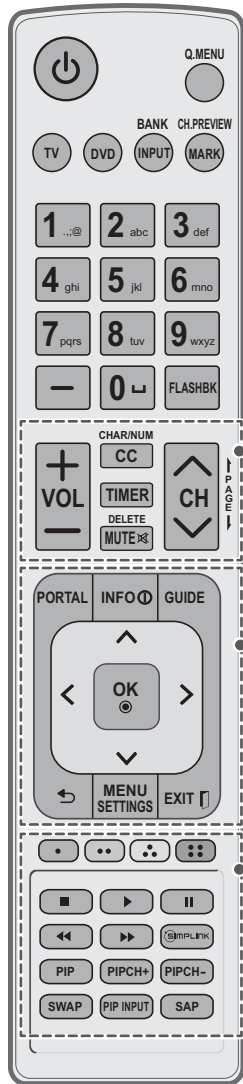
- Do not mix old and new batteries, as this may damage the remote control.







Make sure to point the remote control toward the remote control sensor on the TV.



- ⏻ (POWER)**
Turns the TV on or off.
- (MENU)**
Accesses the quick menu.
- TV**
Selects the remote's operating mode: TV.
- DVD**
Selects the remote's operating mode: DVD.
- INPUT, BANK**
INPUT: Rotates through inputs. Also switches the TV on from standby.
BANK: Not functional
- MARK, CH.PREVIEW**
MARK: Selects a menu or option.
CH.PREVIEW: Not functional
- Number button**
Enters channel numbers or other numbers required.
Also supports characters.
- (DASH)**
Selects a program number for multiple program channels such as 2-1, 2-2, etc.
- FLASHBK**
Tunes to the last channel or input viewed.

ENGLISH



- + VOL -**
Adjusts the volume level.
- CC, CHAR/NUM**
CC: Selects a closed caption.
CHAR/NUM: Switches between Letter and Number input modes.
- TIMER**
Turns the TV off in a set amount of time.
- MUTE , DELETE**
MUTE: Mutes all sounds.
DELETE: Deletes letters and numbers.
- ^ CH v, | PAGE |**
CH: Scrolls through the saved channels.
PAGE: Moves to the previous or next screen.
- PORTAL**
Displays and removes the interactive menu.
- INFO **
Views the information of the current program and screen.
- GUIDE**
Displays and removes the electronic program guide.
- Navigation buttons (up/down/left/right)**
Scrolls through menus or options.
- OK **
Selects menus or options and confirms your input.
-  (BACK)**
Returns to the previous level.
- MENU/SETTINGS**
Accesses the main menu.
- EXIT **
Clears all on-screen displays and returns to TV viewing.
- Color buttons**
These access special functions in some menus.
- VCR/DVD/USB control buttons**
Controls video cassette recorders or DVD players or USB.
-  SIMPLINK**
Accesses the AV devices connected to the TV;
Opens the SIMPLINK menu.
- PIP**
Toggles through picture-in-picture options.
- PIP CH +/-**
Changes the PIP channel.
- SWAP**
Exchanges the main/sub images.
- PIP INPUT**
Selects the connected input source for the sub-picture.
- SAP**
Analog mode: Selects MTS sound (Mono, Stereo, or a SAP)
DTV mode: Changes the audio language.

GENERAL TROUBLESHOOTING

Installation

Symptom	Possible Cause(s)	Possible Solution(s)
Cannot direct enter channel number.	<ul style="list-style-type: none"> (TV in Pass-through Mode) Installer Menu item 028 CH. OVERRIDE is set to 0, i.e., disabled (recommended setting). 	<ul style="list-style-type: none"> If Installer Menu item 028 CH. OVERRIDE is set to 0, only channels that are active in the TV's channel lineup can be selected. Set CH. OVERRIDE to 1 to allow access for direct keypad entry to all channels.
	<ul style="list-style-type: none"> (TV in FTG Mode) The channel entered is not part of the FTG Channel Map. 	<ul style="list-style-type: none"> Channel access is restricted to channels included in the FTG Channel Map. If necessary, make changes to the FTG Channel Map using the FTG File Manager or the FTG Configuration Application, as appropriate.

Display Panel Picture

Symptom	Possible Cause(s)	Possible Solution(s)
No picture.	<ul style="list-style-type: none"> Display panel is turned off. 	<ul style="list-style-type: none"> Turn TV ON. Power failure?
	<ul style="list-style-type: none"> Antenna/cable not connected. 	<ul style="list-style-type: none"> Connect antenna/cable signal to TV.
	<ul style="list-style-type: none"> Connections incorrect. 	<ul style="list-style-type: none"> Check connections on TV.
	<ul style="list-style-type: none"> MPI not connected 	<ul style="list-style-type: none"> If applicable, connect MPI cable to MPI device.
	<ul style="list-style-type: none"> Encrypted program. 	<ul style="list-style-type: none"> Try another channel.
	<ul style="list-style-type: none"> Wrong tuning band. 	<ul style="list-style-type: none"> Adjust Installer Menu settings.

Erratic Operation

Symptom	Possible Cause(s)	Possible Solution(s)
Installer Menu setup.	<ul style="list-style-type: none"> Wrong Installer Menu settings. 	<ul style="list-style-type: none"> Adjust Installer Menu settings as required.

Installer Remote

Symptom	Possible Cause(s)	Possible Solution(s)
Remote doesn't work.	<ul style="list-style-type: none"> Remote not in TV Mode. 	<ul style="list-style-type: none"> Use MODE key to select "TV"; puts remote into TV Mode.
	<ul style="list-style-type: none"> Not aimed at IR remote sensor. 	<ul style="list-style-type: none"> Point remote at TV's IR receiver on TV.
	<ul style="list-style-type: none"> Remote too far from IR sensor. 	<ul style="list-style-type: none"> Move remote closer to TV's IR receiver or darken room.
	<ul style="list-style-type: none"> MPI not connected. 	<ul style="list-style-type: none"> If applicable, connect MPI cable to MPI device.
	<ul style="list-style-type: none"> IR path to TV's receiver obstructed. 	<ul style="list-style-type: none"> Remove obstructions.
	<ul style="list-style-type: none"> Weak batteries. 	<ul style="list-style-type: none"> Replace batteries.
	<ul style="list-style-type: none"> Wrong battery polarity. 	<ul style="list-style-type: none"> Check that "+" and "-" match in battery compartment.
	<ul style="list-style-type: none"> Too much light in room. 	<ul style="list-style-type: none"> Dim room light.
<ul style="list-style-type: none"> Wrong Installer Remote. 	<ul style="list-style-type: none"> Requires compatible Installer Remote. Contact your LG dealer. 	

Picture Reception

Symptom	Possible Cause(s)	Possible Solution(s)
Normal picture, poor or no sound.	<ul style="list-style-type: none"> Wrong Installer Menu settings. 	<ul style="list-style-type: none"> Press MUTE or use Volume Up key to increase sound level.
	<ul style="list-style-type: none"> Broadcast problem. 	<ul style="list-style-type: none"> Try a different channel.

SPECIFICATIONS

Product specifications may be changed without prior notice due to upgrade of product functions.

Power requirement	AC100 - 240 V ~ 50/60 Hz	
Television System	NTSC-M, ATSC, 64 & 256 QAM	
Program Coverage	VHF 2-13, UHF 14-69, CATV 1-135, DTV 2-69, CADTV 1-135	
External Antenna Impedance	75 Ω	
Environment condition	Operating Temperature	0 - 40°C
	Operating Humidity	Less than 80%
	Storage Temperature	-20 - 60°C
	Storage Humidity	Less than 85%

MODELS		32LT560C (32LT560C-UA)
Dimensions (W x H x D)	With stand	765.6 mm x 535.6 mm x 231.9 mm (30.1 inch x 21.0 inch x 9.1 inch)
	Without stand	765.6 mm x 475.8 mm x 68.5 mm (30.1 inch x 18.7 inch x 2.6 inch)
Weight	With stand	9.2 kg (20.2 lbs)
	Without stand	8.0 kg (17.6 lbs)

MODELS		42LT560C (42LT560C-UA)
Dimensions (W x H x D)	With stand	991.7 mm x 663.0 mm x 273.1 mm (39.0 inch x 26.1 inch x 10.7 inch)
	Without stand	991.7 mm x 604.0 mm x 55.0 mm (39.0 inch x 23.7 inch x 2.1 inch)
Weight	With stand	15.5 kg (34.1 lbs)
	Without stand	13.5 kg (29.7 lbs)

) **Federal Communications Commission(FCC) Statement**

You are cautioned that changes or modifications not expressly approved by the part responsible

for compliance could void the user's authority to operate the equipment.

This equipment has been tested and found to comply with the limits for a Class B digital device, pursuant to part 15 of the FCC rules.

These limits are designed to provide reasonable protection against harmful interference in a residential installation.

This equipment generates, uses and can radiate radio frequency energy and, if not installed and used in accordance with the instructions, may cause harmful interference to radio communications.

However, there is no guarantee that interference will not occur in a particular installation.

If this equipment does cause harmful interference to radio or television reception, which can be determined by turning the equipment off and on, the user is encouraged to try to correct the

interference by one or more of the following measures:

- . Reorient or relocate the receiving antenna.
- . Increase the separation between the equipment and receiver.
- . Connect the equipment into an outlet on a circuit different from that to which the receiver is connected
- . Consult the dealer or an experienced radio/TV technician for help.

This device complies with Part 15 of the FCC Rules.

Operation is subject to the following two conditions:

- 1) this device may not cause harmful interference, and
- 2) this device must accept any interference received, including interference that may cause undesired operation of the device.

Indoor use only

FCC Caution: Any changes or modifications not expressly approved by the party responsible for compliance could void the user's authority to operate this equipment.



The model and serial numbers of the TV are located on the back and/or one side of the TV. Record them below should you ever need service.

MODEL _____

SERIAL _____

LG Customer Information Center

For inquires or comments, visit www.lg.com or call:

1-888-865-3026 USA, Commercial User
1-888-542-2623 CANADA

Register your product Online!

www.lg.com

Pro:Centric is a trademark of LG Electronics U.S.A., Inc. Pro:Idiom is a registered trademark of Zenith Electronics LLC. b-LAN is a trademark of LodgeNet Interactive Corporation. All other trademarks or registered trademarks are the property of their respective owners.



This product qualifies for ENERGY STAR in the "factory default (Home Use)" setting.

Changing the factory default settings or enabling other features may increase power consumption that could exceed the limits necessary to qualify for ENERGY STAR.