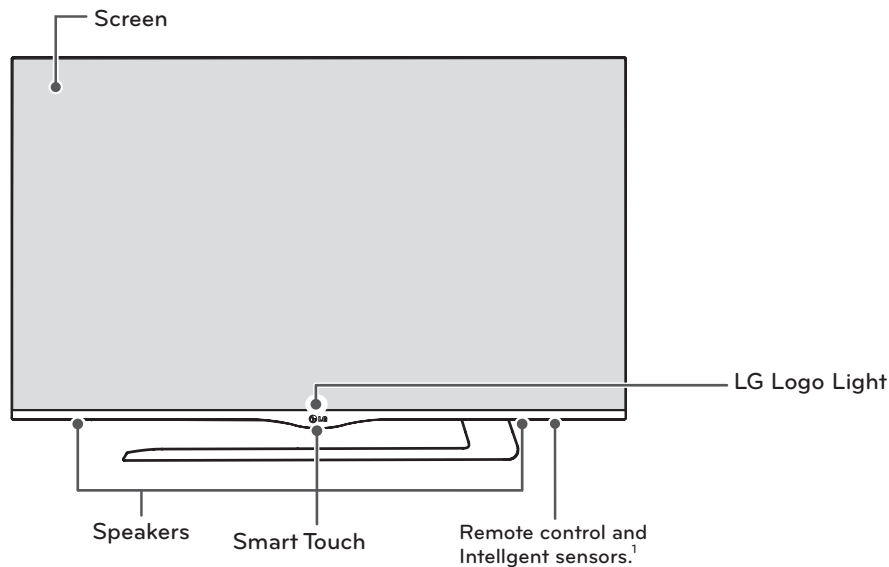


Parts and Buttons



Button	Description
	Turns the power on or off.

1 To Turn the TV On

- Gently press the smart touch button just below the LG logo light at the bottom of the TV.

2 To Turn the TV Off

- If the touch menu is not displayed on the screen, press the smart touch button for about two seconds.

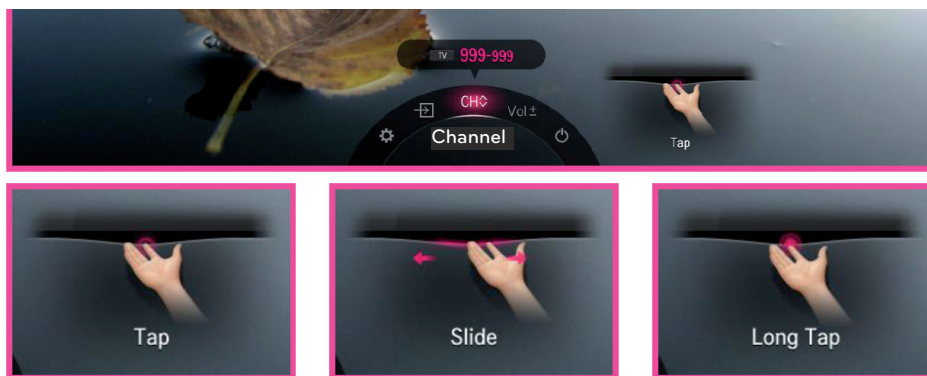
3 To Use the Smart Touch Button

- Touch : Select the menus.

- Touch and Hold : Move to previous or superior step.

- Slide Left / Right: Moves between Channel, Input, Settings, Power Off and Volume menus.

If you want to change the channel or volume setting more quickly, slide and hold for 2 seconds.



! WARNING

- The smart touch button does not work when the touch menus are displayed on the screen.
- The smart touch button does not work when playing videos from a storage device (USB/mobile device).

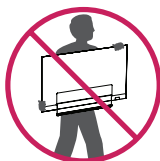
Lifting and moving the TV

When moving or lifting the TV, read the following to prevent the TV from being scratched or damaged and for safe transportation regardless of its type and size.

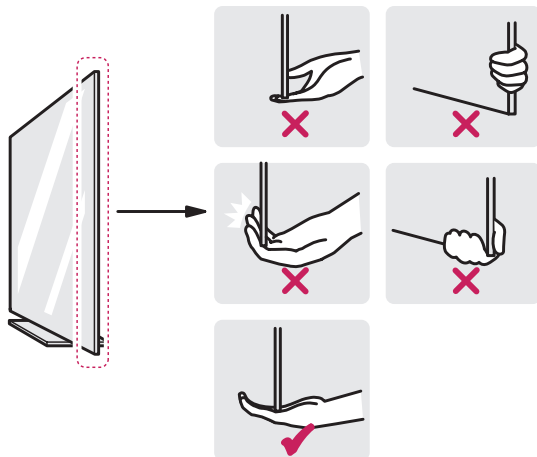
CAUTION

- Avoid touching the screen at all times, as this may result in damage to the screen.
- Do not place the product on the floor with its front facing down. Doing so may result in damage to the screen.

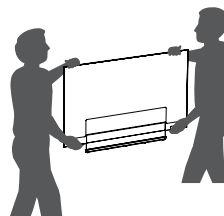
- It is recommended to move the TV in the box or packing material that the TV originally came in.
- Before moving or lifting the TV, disconnect the power cord and all cables.
- When holding the TV, the screen should face away from you to avoid damage.



- Hold the top and bottom of the TV frame firmly. Make sure not to hold the transparent part, speaker, or speaker grill area.



- When transporting a large TV, there should be at least 2 people.
- When transporting the TV by hand, hold the TV as shown in the following illustration.



- When transporting the TV, do not expose the TV to jolts or excessive vibration.
- When transporting the TV, keep the TV upright, never turn the TV on its side or tilt towards the left or right.

Setting up the TV

You can mount your TV to a wall or attach the stand if you wish to place the TV on an entertainment center or other furniture.

Attaching the stand

If you are not mounting the TV to a wall, use the following instructions to attach the stand.

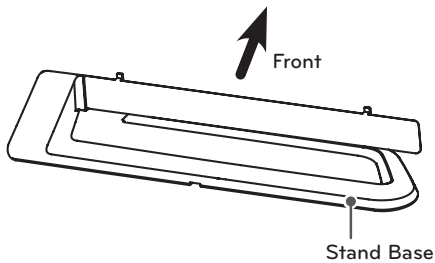
⚠ CAUTION

- When attaching the stand to the TV set, place the screen facing down on a cushioned table or flat surface to protect the screen from scratches.
- Make sure that the screws are fastened tightly. (If they are not fastened securely enough, the TV may tilt forward after being installed.)
- Do not tighten the screws with too much force; otherwise they may be damaged and come loose later.

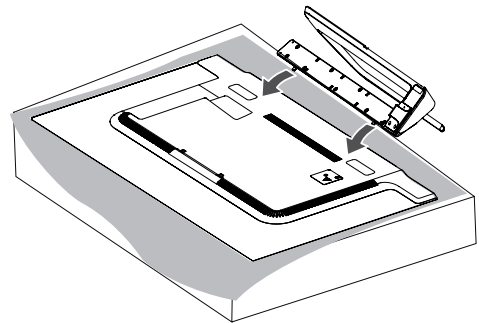
! NOTE

- Remove the stand before installing the TV on a wall mount by performing the stand attachment in reverse.

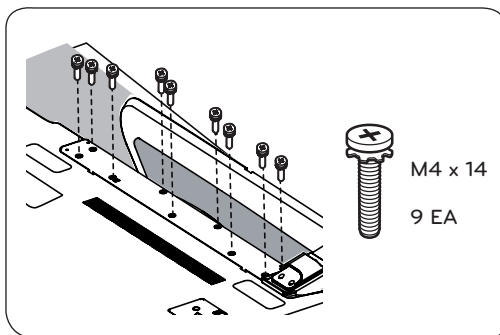
1



2



3



4

