



Wireless Gateway

(9GW9718502.AWP01U)

USER MANUAL



- Make sure to read the safety cautions before using the product, and use the product correctly.
- It is to keep the safety of the users and to prevent property damage, etc.
- After reading the user manual, keep it where user can view at any time.

○ Wireless Gateway

This product is Wireless Gateway applied to the system controlling the lightings.

○ Characteristics of the product

- This product can control LED lightings with the upper level controllers through Ethernet.
- This product can control lighting devices that control LED lightings with Wireless Communication based

○ Table of Contents

Safety Cautions	3~5
Lighting system composition diagram	5
Composition and names	6
1. Product size and name	6
2. Components	6
How to connect	7
Check operation status	8
Check before reporting disorder	8
Guide to consumer dispute settlement standards	9
Product specification	10
Product warranty	11

○ Safety Cautions

▶ The meanings of the symbols appearing on the product and in this manual are as follows. You have to read carefully the parts with this symbol and follow the instructions to avoid the danger.

	Warning	If the instructions are not followed, it may cause severe injury or damage of human lives (death).
	Caution	If the instructions are not followed, light injury or product damage may occur.
		It is the symbol to call attention for the items and operations to prevent danger. To avoid the danger, carefully read and follow the instructions.
		It is the symbol to mark the usages that need to be avoided to prevent danger.

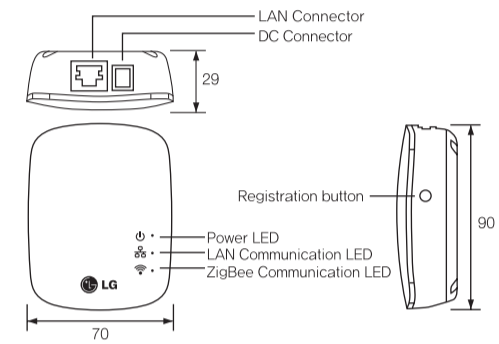
※ This wireless facility has a possibility of radio waves jammed up, so it may not be used for the services that are related to the safety of human lives.

▲ Warning

	Use the rated power. • It may cause fire or product damage.		Do not install the product with moisture all the time. • It may cause fire.
	Do not install in a place with possible flooding. • It may cause electric shock.		Do not install on an uneven installation surface. • It may cause the falling of the product, and it may cause product damage or injury.

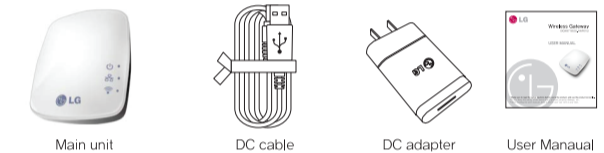
○ Composition and names

1. Product size and names



▲ **Caution** If you press the registration button momentarily during the installation, it will be connected to the installation tool. If you press down the registration button for 5 sec. or longer, all information will be initialized, so be careful.

2. Components



▲ Warning

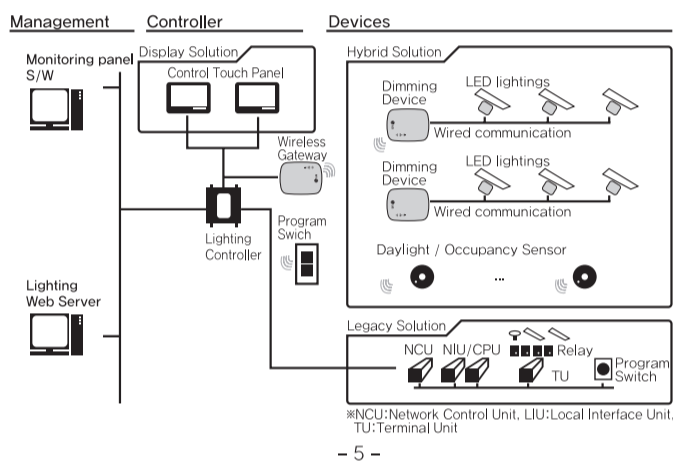
	Make sure to cut off the power before the product installation. • It may cause safety accidents such as electric shock.		If there is a foreign object or flooding inside the product, do not use the product. • It may cause safety accidents such as electric shock or product damage.
	Do not store the product where there is a lot of moisture. • It may cause product defect.		If there is a foreign object or flooding inside the product, do not use the product. • It may cause safety accidents such as electric shock or product damage.
	Do not install the product near fire. • It may cause product defect or safety accident.		Do not use the product after the product is dropped or shock is imposed. • It may cause product disorder.
	Make sure to firmly fix the product on the installation location before using the product. • It may cause the falling of the product or injury.		A qualified technician must perform the electric work according to "Electric Facility Technology Standard or Internal Wiring Regulation", "Indoor Wiring Specification", and this installation manual, and use specified circuit. • If the power capacity is unsuitable or electric work is defect, it may cause fire or electric shock.
	Do not directly spray water on the product main unit during the cleaning. • It may cause fire or electric shock.		

▲ Caution

	Do not install the product where there is a direct sunlight, moisture, or dust.		Do not wipe the product with inflammables that may cause spoil of the surface such as alcohol, benzene, acetone, etc.
--	---	--	---

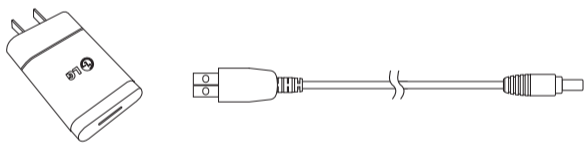
※ This product must be used in connection with LG Electronics lightings, and it may not be used for other purposes

○ Lighting system composition diagram

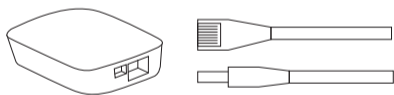


○ How to connect

1. Connect DC cable to DC adapter.



2. Install the wireless gateway, and connect LAN cable and DC cable.



▲ Caution

The LED lighting products that can be connected are as follows, and the connection may not be successful if other products or App are used.

- LED lighting products: products that can be connected with the wireless communication module (using ZigBee protocol) provided by LG Electronics.

○ Check operation status

Icon	Status
	It is lighted when the power is correctly supplied.
	The LAN cable connections and communications are normal, and it instantly blinks during the data communication.
	If ZigBee wireless network is properly connected, it blinks every second.

○ Check before reporting the disorder

Status	Checks and actions to take
	Check if the power cable is properly connected. 1. Check if DC adapter and DC cable are properly connected. 2. If general switch is used, check if DC adapter is correctly connected.
Icon is not lighted.	Check if LAN cable is properly connected.
	If it is not lighted, contact the service center.
Icon is not lighted.	If the blinking interval is fast as about 0.5 sec., contact the service center.

○ About the customer service

1. The rights of the customers
If there is a problem during the use of the product, the customer has a valuable right to receive free service for 1 year after the date of purchase. But if the problem is caused by the mistake of the customer or by natural disaster, it will be charged even if it is within the free service period.
2. Responsibility for charged service (customer pays for the cost)
When you request a service, for the following cases, it will be charged even if it is within free service period.
1) When the failure is caused by inserting foreign object into the product (water, drink, coffee, toy, etc.)
2) When the product is damaged or functional failure is caused by dropping or giving shock to the product
3) When the exterior is damaged or deformed by the use of organic solvent such as thinner or benzene
4) When the failure is caused by using parts or consumables that are not genuine LG Electronics products. You can purchase genuine LG Electronics products (adapter etc.) from nearby LG Electronics service center.
5) When the failure is caused by wrong supply of usage voltage
6) When the parts are lost or damaged by unauthorized disassembly of the product by the customer
7) When the failure is caused by repair or modification by person other than repair technician of LG Electronics service center
8) When the failure is caused by natural disaster (lightning, fire, flood, gas, sea damage, earthquake, etc.)
9) When the failure is caused by not keeping the cautions for safety in LG Electronics product user manual (if cautions for safety are kept well, you can use the product longer.)
10) When the failure is caused by other mistakes of the customers

○ Product Specification

Category	Specification	Unit
Used frequency and channel	2400~2483.5MHz, 15ch (2405~2475MHz)	
Physical layer	IEEE 802.15.4 / CSMA-CA	
Modulation method	DSSS/O-QPSK	
Max. output power	0±2	dBm
Max. reception sensibility	> -90	dBm
Max. transmission speed	< 250	Kbps
Product size	70(W) X 90(H) X 29(T)	mm
Product weight	95	g
Input Voltage(DC Adapter)	5	V
Current consumption (max)	290	mA
Usage temperature	-20~50	°C
Storage temperature	-20~80	°C

○ Product Warranty

Product Warranty

Product: Wireless Gateway Model: 9GW9718502.AWP01U
 Purchased date: year month day
 Customer name: Tel: Address:
 Name of the Shop: Tel: Address:

LG Electronics Inc.

When you request a repair, you have to show this warranty with the date of purchase to receive full service, so keep this warranty in a safe place.

① You can receive the warranty benefits for this product by the contents of the warranty.
 ② Free warranty period is calculated from the date of purchase, so make sure to have the date of purchase written on the warranty. If date of purchase cannot be verified, the warranty period is calculated from 3 months after the manufacture date or customs clearance date.
 ③ If home product is used for commercial purposes (sales activity, abnormal usage environment, etc.), or if it is an industrial product, the warranty period of 1/2 year(6 months) is applied, (including core parts)
 ④ This warranty will not be re-issued.
 ⑤ For the case of supply by separate contract (procurement, HOST, single product, etc.), the warranty will follow the main contract.

Inventory period for major parts
 - Refrigerator, TV, audio, microwave oven, air conditioner, vacuum cleaner, humidifier, dehumidifier, cold and hot wind blower, water purifier, etc. 7 years
 - VTR, DVD player, electric (gas) oven, gas range, telephone, home theatre, video camera, massage chair, electronic pressure cooker, etc. 6 years
 - Washer, navigation, fan/rotary heater, hot air blower, air cleaner, fan, etc. 5 years
 - PC and peripherals, notebook, MP3, cassette, CD player, etc. 4 years
 - Mobile phones, etc. 3 years
 - Products other than the above will follow similar product standards.
 Warranty period of core parts
 - Air conditioner compressor 4 years
 - Refrigerator compressor, TV CPT, monitor CPT, washer motor, microwave oven magnetron, VTR head drum, fan heater / rotary heater burner 3 years
 - PC mother board, LCD TV / PDP TV / LCD monitor panel (excluding notebook monitor) 2 years
 ※ But, even if it is within the core parts warranty period, if the usage hours exceed 10,000 hours for monitor CDT and 5,000 hours for LCD TV, PDP TV, and LCD monitor panel, the warranty period is considered to be over.

※ The contents of this user manual is as of Jan, 2011, and it may be changed according to the circumstances of the company.
P/N : MFL68045801

▲ Warning

○ Federal Communications Commission (FCC) Statement

You are cautioned that changes or modifications not expressly approved by the party responsible for compliance could void the user's authority to operate the equipment. This equipment has been tested and found to comply with the limits for a Class B digital device, pursuant to part 15 of the FCC rules. These limits are designed to provide reasonable protection against harmful interference in a residential installation. This equipment generates, uses and can radiate radio frequency energy and, if not installed and used in accordance with the instructions, may cause harmful interference to radio communications. However, there is no guarantee that interference will not occur in a particular installation. If this equipment does cause harmful interference to radio or television reception, which can be determined by turning the equipment off and on, the user is encouraged to try to correct the interference by one or more of the following measures:

- Reorient or relocate the receiving antenna.
 - Increase the separation between the equipment and receiver.
 - Connect the equipment into an outlet on a circuit different from that to which the receiver is connected.
 - Consult the dealer or an experienced radio/TV technician for help.
- This device complies with Part 15 of the FCC Rules. Operation is subject to the following two conditions:
 1) This device may not cause harmful interference, and
 2) This device must accept any interference received, including interference that may cause undesired operation of the device of the device.

○ FCC Caution

Any changes or modifications not expressly approved by the party responsible for compliance could void the user's authority to operate this equipment and For indoor use only, use outdoors or in other modes not covered by this manual may violate the FCC regulation and violate the user authority to use the product.

○ FCC RF Radiation Exposure Statement:

This equipment complies with FCC radiation exposure limits set forth for an uncontrolled environment. End users must follow the specific operating instructions for satisfying RF exposure compliance.

Equipment used at position in which the spaces between human body and antenna exceeded 20cm