

6-2. Setting the Password

This process is to set a password so that other people cannot use the notebook PC or change the settings. The user can set a password while booting the system or setting up the system.

Caution

- Without the registered password, if any, access to the system will be denied. Write down and keep the password in a safe place.

► Supervisor password

The password prevents unauthorized people from accessing the notebook PC. By default, no password is set for the machine. In case an unauthorized person changes the CMOS setup while the notebook PC is on, a password will be set and the user will be denied from the access to the system.

1. After opening the system setup screen, use the arrow keys to move to **Security**.
2. When the following screen appears, select **Supervisor Password** with the arrow keys and press **[Enter]**.



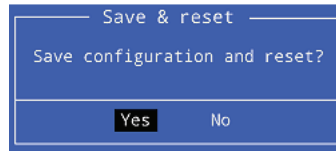
3. When the following message appears, input the password and press **[Enter]**. The password must not exceed 6 characters of letter (A~Z), number (0~9) or their combination.



- When the password confirmation message appears, enter the password again and press **[Enter]**.



- To save the changes in system setup, press **[F10]**.
- When the following message appears, select **[Yes]** and press **[Enter]**. The notebook PC will restart.



- **Supervisor Password** has the privilege to set all the entries in CMOS Setup. It is recommended to use **User Password** if people other than you use the system.

► User Password

The password set in the **User Password** menu is lower than that set in the **Supervisor Password** menu, and so the user can use the **User Password** only after setting a password in the **Supervisor Password** menu.

- After opening the system setup screen, use the arrow keys to move to Security.
- When the following screen appears, select the **User Password** item with the arrow keys and press **[Enter]**.



- When the following message appears, input the password and press **[Enter]**. The password must not exceed 6 characters of letter (A~Z), number (0~9) or their combination.

— Create New Password —

- When the following message appears, press **[Enter]**.

— Confirm New Password —

- To save the changes in system setup, press **[F10]**.
- When the following message appears, select **[Yes]** and press **[Enter]**. The notebook PC will restart.

— Save & reset —
Save configuration and reset?
Yes No



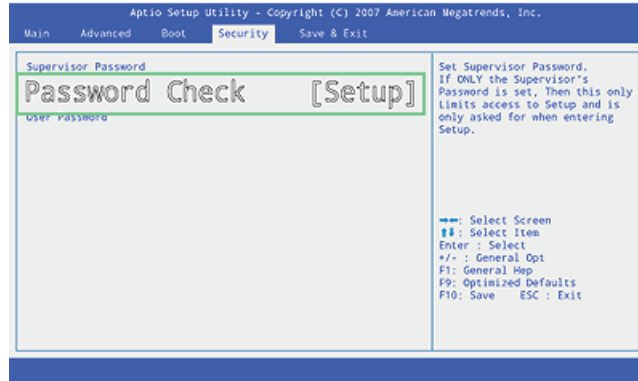
- **User Password** allows limited access to the entries in the CMOS Setup menu compared to **Supervisor Password**.

► Password Check

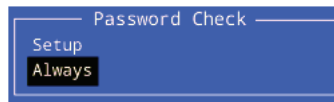
Password on boot feature protects the system by requesting the Set Supervisor Password or Set User Password during boot up.

- After opening the system setup screen, use the arrow keys to move to Security.

2. Select **Password Check** and press **[Enter]**.

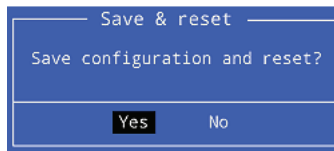



3. When the following screen appears, select **[Always]** and press **[Enter]**.



4. To save the changes in system setup, press **[F10]**.

5. When the following message appears, select **[Yes]** and press **[Enter]**. The notebook PC will restart.



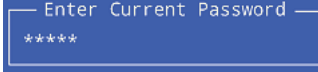
 ■ You may also press the **[Shift] + [+]** keys to toggle between **[Setup]** and **[Always]**.

6-3. Changing or Deleting the Password

You can delete or change the password only after inputting the current password.

▶ Changing the Password

1. Select **[Security]** > **[Supervisor Password]** or **[User Password]**, press **[Enter]**, and enter the password.



2. Change the password in the same way as setting one.

▶ Deleting the Password

1. Select **[Security]** > **[Supervisor Password]** or **[User Password]**, press **[Enter]**, and enter the password.



2. When the following screen appears, press **[Enter]**.



3. When the following screen appears, press **[Enter]**.

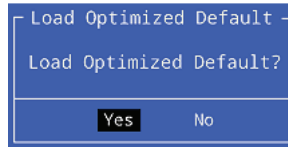


4. The password is deleted.

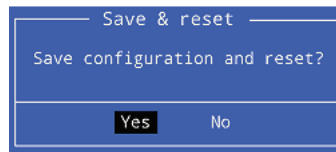
6-4. Restore the Default Settings

If you have changed the system setup by mistake, you can restore the default settings.

1. After opening the system setup screen, use the arrow keys to move to **[Save & Exit]**.
2. Use the arrow keys to select **[Load Setup Defaults]**, and press **[Enter]**.
3. When the following message appears, select **[Yes]** and press the **[Enter]** key. The settings will be reset to their original defaults.



4. To save the changes in system setup, press **[F10]**.
5. When the following message appears, select **[Yes]** and press **[Enter]**. The notebook PC will restart.



- You may also press **[F9]** to use **Optimized Defaults**.

Chapter 7. Restoring the System



7-1. Restoring the System Using Restoration CD

To restore the hard disk, you need to back up necessary software and data files in advance. After completing Windows installation, you need to register User Properties with Windows just as you do to the new system.

1. Make backup copies of important data on the computer.
2. Insert the restoration CD in the CD-ROM drive and reboot. When the **[Press any key to boot from CD...]** message appears, press **Enter**.
3. Follow the instructions on the screen to install **MS-Windows**.
4. After completing **Windows** installation, remove the CD and reboot the system. When the following screen appears, register User Properties according to the instructions on the screen.

–To install Windows XP Media Center 2005 edition, you need to install DOTNETFX and Roll Up on OS CD No. 2 first.

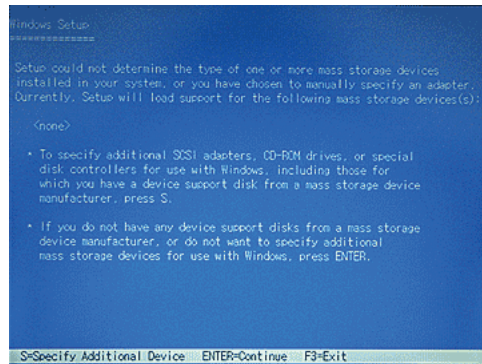
Optional Media Center 2005 may not be provided depending on the model.



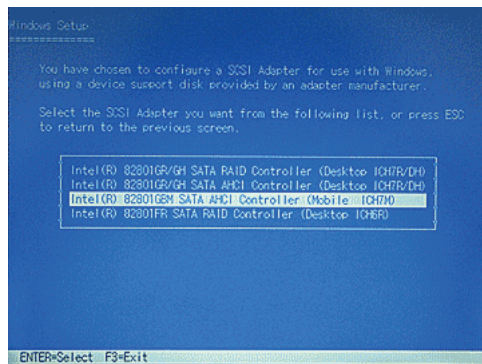
5. When **Windows** has been installed, install necessary drivers and other applications with the provided **LG Intelligent Update CD**.

7-2. Recovering System in General Case

1. Check IMSMF6FloppyWf6flpy32 on the LG Intelligent Update CD.
2. Copy the Driver to the Floppy Disk by executing F6flpy32.exe in f6flpy32 folder.
3. Installing with Windows XP CD and boot with the Floppy Disk by using USB Floppy Drive.
4. While booting with Windows XP CD, press F6 key right after the installing screen appears.
5. When installation screen related SCSI and RAID appears, press 'S'.



6. If another Controller selecting screen appears after those procedure, select 'Intel(R) 82801GBM SATA AHCI Controller (Mobile ICH7M)'.



- Intel(R) 82801GBM SATA AHCI Controller(Mobile ICH7M)
- Intel(R) 82801GR/GH SATA RAID Controller(Desktop ICH7R/DH)
- Intel(R) 82801GR/GH SATA AHCI Controller(Desktop ICH7R/DH)
- Intel(R) 82801FR SATA RAID Controller(Desktop ICH6R)
- Intel(R) 82801FR SATA AHCI Controller(Desktop ICH6R)

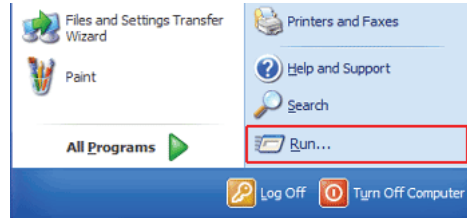
- Intel(R) 82801FBM SATA AHCI Controller(Mobile ICH6M)
- Intel(R) 82801ER SATA RAID Controller(Desktop ICH5R)

7. If another select message appears after those procedure, select 'Enter' to proceed.

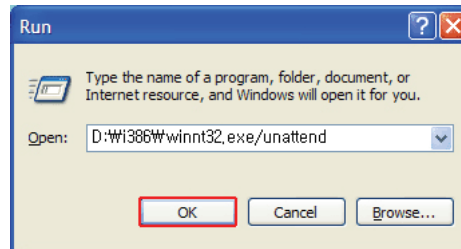
7-3. Upgrading Windows XP

If **Windows XP** is already installed, you can upgrade existing **Windows XP** without formatting the hard disk. In the case that **Windows XP** is already running on the hard disk, upgrade it as follows:

1. Turn on the system where **Windows XP** is installed.
2. Click **Start** and **Run** buttons.



3. Insert the restoration CD, type **D:\w1386\winnt32.exe/unattend** (When CD-ROM drive is Drive D), and click **OK**.



- To execute winnt32.exe without using Unattend option, you must input the Product Key displayed on the computer case. In this case, you need to have the computer certified within 30 days after this.

Chapter 8. Reinstalling the Driver



8-1. Reinstalling the Driver

The user can download drivers at www.lgepc.co.kr.

Windows XP SP3 or higher version is recommended for driver installation.

The screen layout may differ by model type.

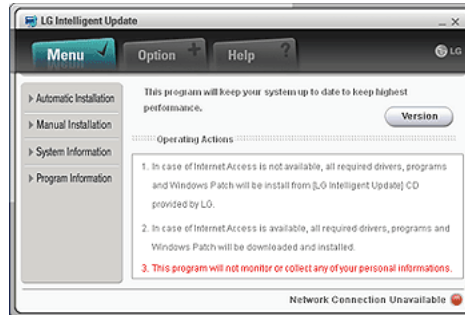
► Installation

1. Insert **LG Intelligent Update** CD in the optical disk drive.
2. When the installation screen appears, click **Next > Next > Next > Finish** buttons or press **Enter** to install.



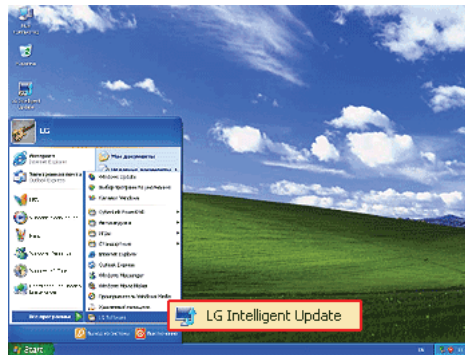
3. **Standard Installation:** Copy the files which will be needed only for execution to the hard disk.
4. **Full Installation:** Copy the entire CD to the hard disk. Drivers can be installed out of the copy without the CD.

5. **LG Intelligent Update** screen appears.



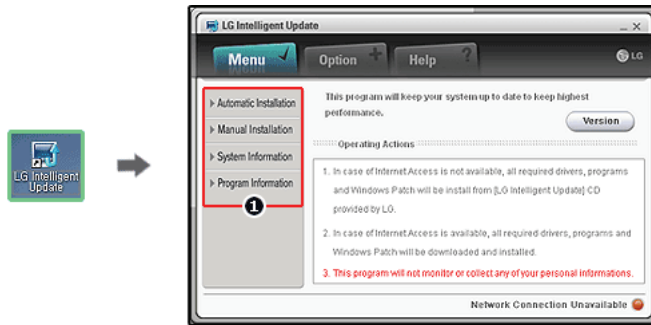
▶ Execution

1. Insert **LG Intelligent Update** CD in the optical disk drive. Then, the program will automatically start.
If the **LG Intelligent Update** program is not installed, **LG Intelligent Update** installation screen will appear.
2. Select **Start > All Programs > LG Software > LG Intelligent Update** to continue.




3. Double-click **LG Intelligent Update** icon on desktop to run the program.

For more details, refer to Help.



4. Now, you can install drivers and applications needed for the system.



- The items that the user must install are automatically displayed on the Software Installation Wizard screen. Read the screen carefully before installation.

Chapter 9. Using the Internet



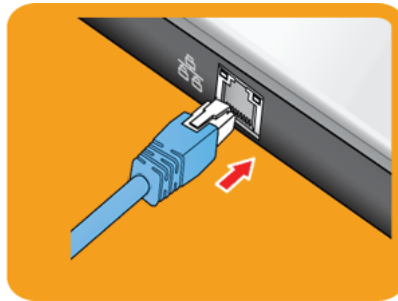
9-1. Using the Internet

There are various methods to access the Internet. Choose the most desirable method for user environments and system specifications.

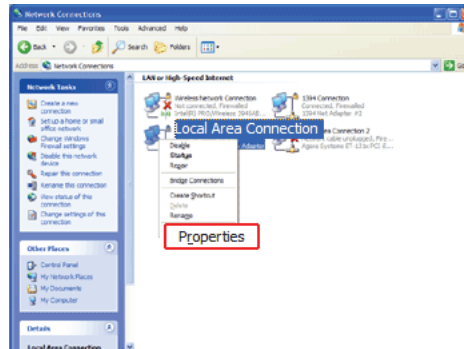
► Using LAN

LAN refers to high speed network environments linking companies and households.

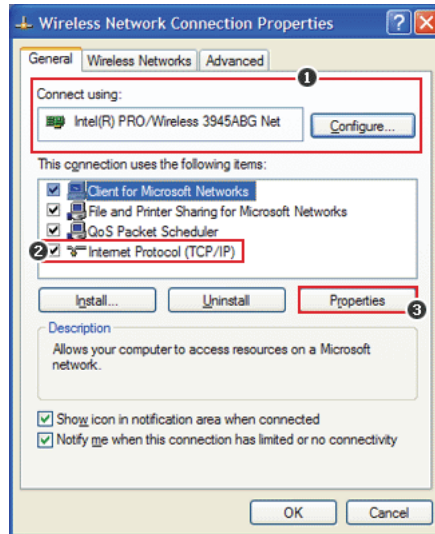
1. Connect LAN cable to the LAN port. On the taskbar, click **Start | Control Panel | Switch to Classic View | Network Connection**.



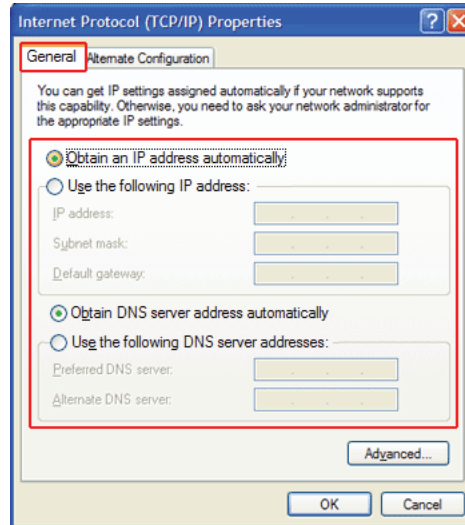
2. When the following screen appears, right-click Local Area Connection and click **Properties** in the list.



3. When the following screen appears, on **General** tab, check ① Device List for Connection to see if **Realtek RTL8102E Family PCI-E Fast Ethernet NIC** driver was installed, and select ② Internet Protocol (TCP/IP), and then click ③ **Properties**.



4. On **Properties** | **General** tab, click Obtain an IP address automatically.



5. Click **OK** button to complete the registration of Internet Protocol (TCP/IP) Properties.



- For IP address registration, contact the network administrator or local network service engineer.
- IP Operator provides a user-friendly environment to manage wired/wireless network setup. The provided **IP Operator** makes networking easy and convenient.

► Using Wireless LAN

Optional The **Wireless LAN** card is optional.

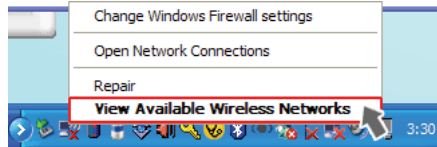
Wireless LAN supports multi-terminal networking at home and office.

Wireless network offers general network features (e.g. sharing files, folders, and a printer) and allows a computer without the Internet connection in a small network to access the Internet through another terminal.

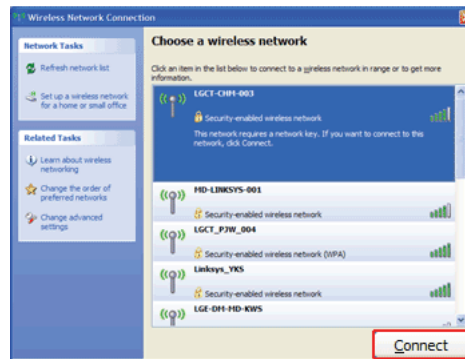
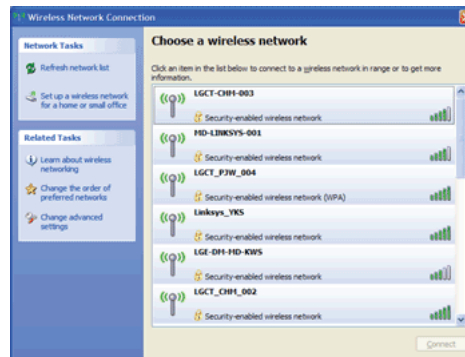
By default, this computer is set for wireless network on the **Windows**.

▶ Connecting Wireless Network By Using the Icon

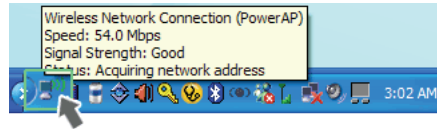
1. On the taskbar, right-click the connection icon and click **View available wireless networks**.



2. Select an AP(Access point) and click **Connect**.



3. To see the connection status, place the cursor over Wireless Network Connection icon on the taskbar.



- If no network key is set for the selected AP, click "Allow me to connect to the selected wireless network, even though it is not secure."
- Click Advanced button to check Connection Properties, if needed.

**Caution**

- Ensure the network is secured to share the computer and be careful not to share confidential data.







9-2. Using IP Operator

The **IP Operator** manages the setting of the wired/wireless network in the system and helps the user easily operate the system. IP Operator stores customized network settings to apply and analyzes the network to automatically set up **TCP/IP** for convenient use. The IP Operator also supports all types of **IEEE 802.11a, b, g** wireless networks, sets the optimal wireless network environment and automatically switches the network environments.

For more information, refer to **IP Operator** Help.

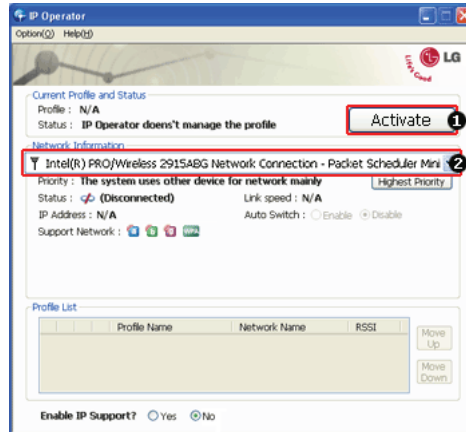
► Using IP Operator

IP Operator displays the following icons describing the network status.

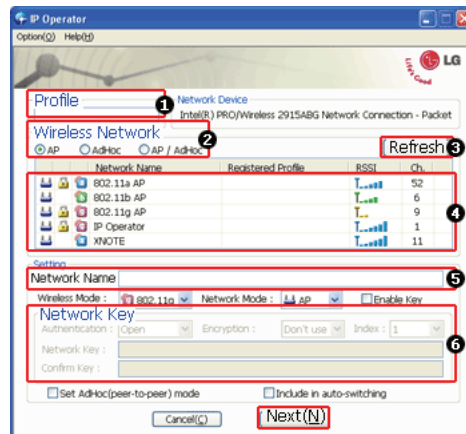
Icons	Descriptions
	IP Operator is starting. (Blue)
	IP Operator is not available. (Grey)
	The network cable is connected.
	The network cable is not connected.
	The wireless network is not connected.
	The signal strength of the current wireless network.

1. Right-click **IP Operator** icon on the taskbar and select Open **IP Operator**.

- When the following screen appears, click No. ① **Activate administration feature** button to make the wireless network available. When a different screen appears, select the right wireless network device from No. ② **Device Name** drop-down list.

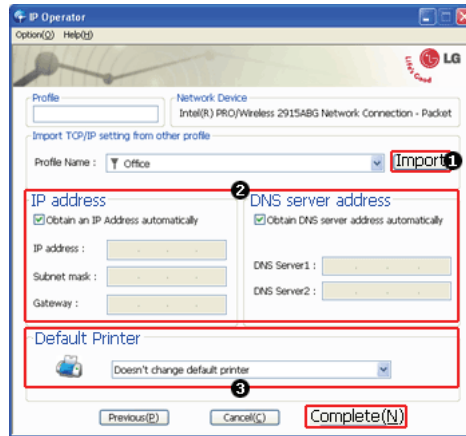


- Click **Add** button and click **Next** when the settings have completed as shown below.

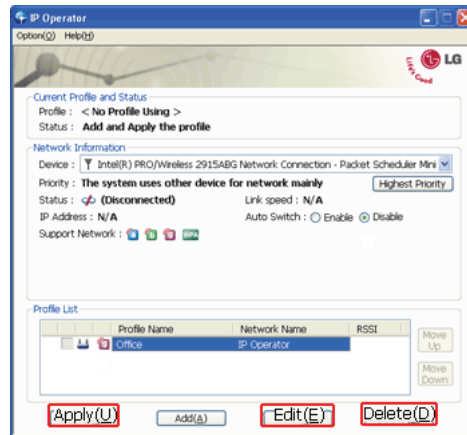


- Type the profile name.
- Select the wireless network type to search.
- Click to search the wireless network again.
- Select one of the searched wireless networks.

8. Type the name of the wireless network.
9. Type the wireless network key, if necessary.
10. Set **TCP/IP** address and the printer for the profile and click **Finish**.
- 11.



12. To refer to the existing settings for **TCP/IP** and the printer, select the profile and click Get button.
13. Set IP and DNS addresses.
14. Select a default printer to apply the profile.
15. Select a profile to use. The user can edit or delete the selected profile, or can apply the selected profile to the system by clicking Apply button.

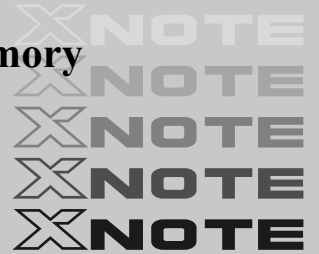


New features provided by IP Operator are as follows:



- 802.3 Automatic Switching: Analyzes the network when the network cable is connected and automatically searches the optimal profile for the system. (Must be set in the Option menu.)
- Automatic Wireless Network Switching: Searches the most suitable network for the use of a wireless network in various locations without manual settings.
- IP Supporting: Helps TCP/IP setup when another program, other than **IP Operator**, tries to set the wireless network, or when the selected wireless network already exists in the profile.
- Device Prioritizing: Prioritizes devices for more convenient use of multiple devices in the system.

Chapter 10. Auxiliary Storage/Memory



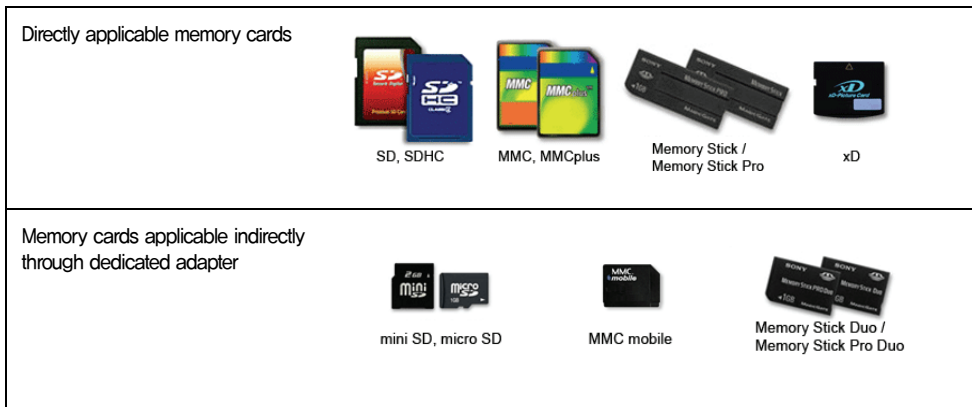
10-1. Using Memory Card

▶ Checking Available Memory Card

This model supports SD, MMC, Memory STick, and Memory Stick Pro.

xD, **SD**, **MMC**, **Memory Stick** and **Memory Stick Pro** cards are mobile storage devices, currently widely used in many digital products.

To use a **Memory Stick Duo** card, **Memory Stick Pro Duo** card, **mini SD** card, **micro SD** card, or an **MMC mobile** card, mount it on the dedicated adapter and insert the adapter into the multi-card slot.



(The available memory type and capacity may differ by the computer model type.)

Check availability before buying a memory card.

▶ Mounting and Using Memory Card

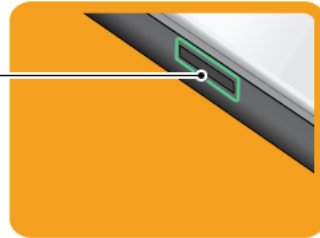
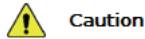
Insert the card into the multi-card slot to the fullest in the right direction.



- When the memory card is formatted, the data stored in the memory card will be deleted. Check whether there are important data before formatting the memory stick.
- To format a **memory stick**, right-click **Memory Stick** drive and select Format. When Format window appears, click Start to continue.
- The format feature may not be available on those **Windows** whose version is lower than **Windows XP**. Format the card on other digital devices or format it after installing Memory Stick Formatter.
- If the writing prevention tab of **Memory Stick** is locked, the user cannot format the memory stick nor write or delete the data.
- **xD**, **SD**, **MMC**, **Memory Stick** and **Memory Stick Pro** cards can be used only as storage devices, and don't support a copyright protection feature.

When using an MMC card:

- Place the MMC card with the arrow facing upward (▲), and insert it into the slot. Forcing the MMC card into the slot may cause an impairment.



- Some memory products manufactured by **Transcend** are made of metal and may cause a short circuit when contacting with the connection port in the multi-card slot. Avoid using metallic-surfaced memory products. They could offset the system performance.

When using a memory card through dedicated adapter:

- Use the dedicated adapter. Otherwise a short-circuit may occur, causing damage to the computer and the memory card.

▶ Removing Memory Card

Push the card as depicted in the following picture to make the card spring out of the slot. Pull the card out in the direction of the arrow.





To safely removing a memory card:

1. Click **Safely Remove Hardware** icon on the taskbar.



2. Click **Safely Remove Hardware (S)**.
3. When **Safely Remove Hardware** window appears, click **Stop**.
4. When **Stop Hardware** window appears, click **OK**.

Chapter 11. Appendix



11-1. Specifications

▶ Available Processors

Intel Atom Processor (L2 Cache Size: 512KB) is supported.

The user must not replace or expand the CPU capacity arbitrarily. The CPU capacity differs depends on model type.

▶ Main Memory

Main memory supports both 512 MB and 1024 MB. The expansion memory slot is not supported.

Memory types and specifications may differ depending on the model.

▶ Secondary Storage Devices

2.5" Hard Disk Drive (SATA)

The hard disk capacity and the type depend on the notebook PC model.

External Optical Disk Drive

Optional It may not be provided depending on the model. Its specifications also differ depending on the model.

▶ LCD

10" WSVGA(1024 x 600) TFT Color LCD

Some models are equipped with Glare Type LCD. This model is enhanced the sharpness compare to the other types of LCD. So, it may appears glaring a lot but this is the normal status.

The size and the resolution rate of the LCD depend on the notebook PC model.

▶ Authentication for **Anticopy Technology**

US Patent Nos.4,631,603;4,577,216;4,819,908;4,907,093;5,315,448;and 6,516,132. Patent number of **Macrovision**.

This product includes the technologies that are possessed by **Macrovision** and corresponding companies and protected by the US Patent Law and other related laws, Use of all technologies subject to the copyrights must be approved by **Macrovision** in advance. Otherwise, the technologies may only be used for internal display. Do not disassemble or remodel the product.

▶ Bluetooth

Bluetooth 2.0+EDR

Optional Bluetooth is optional, and so it may not be installed in some models.

▶ Web Camera

1.3 Web Camera module

UVC (USB Video Class) driver supported

▶ External I/O Interface

External VGA Monitor Port: 1

Microphone: 1

Microphone Input Port (Mic in): 1

Headphone Port: 1

USB 2.0 Ports: 3

Multi-card Slot: 1

RJ 45 (LAN) Port: 1

USIM Card Slot: 1

Optional USIM card slot may not be provided depending on the model.

▶ Video

Mobile Intel Graphic Media Accelerator 950 (Dynamic Video Memory Technology)

The DVMT actively utilizes part of the system memory when processing large graphic data like 3D graphics. Therefore, the size of the graphic memory is displayed as the sum of the actual graphic memory size and the utilized amount of memory, which is decided by the size of system memory.

Applications (graphics program, game, etc.) requiring strong graphic processing power may not work properly.

Specifications may differ by model type.

▶ Sound

Realtek High Definition Audio Codec (ALC888)

Built-in Stereo Speakers

▶ Modem

Ericsson F3507g (HSPA Modem)

Optional The support availability may differ by model type.

▶ LAN

Realtek RTL 8102E PCI Express Fast Ethernet Controller (10/100Mbps)

RJ 45 Jack

Optional The LAN specifications may differ depending on the model.

▶ **Wireless LAN**

MS-6894 0A Wireless 802.11b/g mini-Card (PCIe interface, RTL8187SE single chip)

Wireless LAN specifications may differ by model type and cannot be arbitrarily changed by the user.

▶ **Weight**

Full Installation: About 1.19kg

Battery: Less than 250 g (3 cells) / 350 g (6 cells)

Weight descriptions may differ by model type.

11-2. Power Supply and Environments

▶ AC Adapter (Free Voltage)

Power Capacity: 40W

Input: AC 100V ~ 240V, 1.7A, 50Hz ~ 60Hz

Output: 20V DC 2.0A

Caution: Use a rated and legitimate AC adapter, suitable for the model.

▶ Battery (Li-Ion)

Rated Capacity: 11.1V

Battery Make-up: 3-cell or 6-cell battery (the battery make-up may differ depending on the model.)

Charging Hours: At room temperature (0°C ~ 40°C) and power turned off - Less than 3 hours (Time may differ by model type.)

Not charged under 0°C.

The above temperatures are internal temperatures of the battery pack, and may be different from the actual room temperature.

▶ Operation and Storage Environments

Operating Temperature: 10°C~35°C

Operating Humidity: 20% RH ~ 80% RH

Storage Temperature: -10°C~60°C

Storage Humidity: 10% RH ~ 80% RH

▶ Power Consumption

Operating Conditions	Approximately 30W	When running moving image media
Standby mode (Idle state)	Approximately 15W	In Display Off mode
Power Saving mode (Sleep Mode)	1.5W or lower	When entering S3(Suspend)
Off Mode (Standby(off) Mode)	1W or lower	When terminating the system

The above power consumption is calculated on the assumption that the battery is fully charged.

Power consumption during operation or standby may differ depending on the programs the system is running and product specifications.

Even when the system is turned off, it consumes a minute amount of power, if supplied. To cut off power supply completely, disconnect the power cord from the power outlet.