

### **Part 15.21 statement**

" Change or Modifications that are not expressly approved by the manufacturer could void the user's authority to operate the equipment. "

### **Part 15.105 statement**

This equipment has been tested and found to comply with the limits for a class B digital device, pursuant to Part 15 of the FCC Rules. These limits are designed to provide reasonable protection against harmful interference in a residential installation. This equipment generates uses and can radiate radio frequency energy and, if not installed and used in accordance with the instructions, may cause harmful interference to radio communications. However, there is no guarantee that interference will not occur in a particular installation. if this equipment does cause harmful interference or television reception, which can be determined by turning the equipment off and on, the user is encouraged to try to correct the interference by one or more of the following measures:

- Reorient or relocate the receiving antenna.
- Increase the separation between the equipment and receiver.
- Connect the equipment into an outlet on a circuit different from that to which the receiver is connected.
- Consult the dealer or an experienced radio/TV technician for help.

## **Part 15 Class B Compliance**

This device and its accessories comply with part15 of FCC rules.

Operation is subject to the following two conditions:

- (1) This device & its accessories may not cause harmful interference.
- (2) This device & its accessories must accept any interference received,  
including interference that may cause undesired operation.

## **Body-worn Operation**

This USB modem has been tested for typical body-worn operations  
with the distance of 0.79inches (2.0cm) from the user's body.

To comply with FCC RF exposure requirements, a minimum separation distance  
of 0.79inches(2.05cm) must be maintained from the user's body.

The accessories must not contain any metallic components.

## LG-C105 User Guide

- English

This guide will help you understand your new mobile phone. It will provide you with useful explanations of features on your phone. Some of the contents in this manual may differ from your phone depending on the software of the phone or your service provider.



## Installing the SIM Card and Charging the Battery

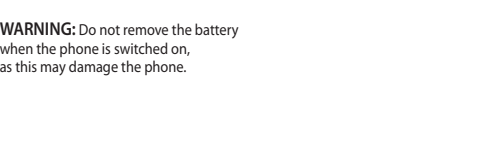
### Installing the SIM Card

When you subscribe to a cellular network, you are provided with a plug-in SIM card loaded with your subscription details, such as your PIN, any optional services available and many others.

**Important!** The plug-in SIM card can be easily damaged by scratches or bending, so be careful when handling, inserting or removing the card. Keep all SIM cards out of the reach of small children.

### Illustrations

- Open the battery cover
- Remove the battery
- Insert your SIM
- Insert your battery
- Close the battery cover
- Charge your battery



- Minute minder** – Select On to hear a tone every minute during a call.
- BT answer mode** – Set to Hands-free or Handset.
- Save new number** – Choose Yes or No.
- Slide close setting** – Choose End call or Continue call.

## Contacts

### Searching for a Contact

- Select Names from the standby screen.
- Using the keypad, enter the first letter of the contact you want to call.
- To scroll through the contacts, use the up and down arrows.

### Adding a New Contact

- Press Menu, then select Contacts and choose Names. Then press Options - Add new contact.
- Enter all the information you have in the fields provided and select Options-Done.

### Adding a Contact to a Group

You can save your contacts in groups; for example, to keep your work colleagues and family separate. There are a number of groups including Family, Friends, Colleagues, School and VIP already set up on the phone.

## Media

## Music

Your LG-C105 has a built-in Music player so you can play all your favorite music. **Playing a Song**

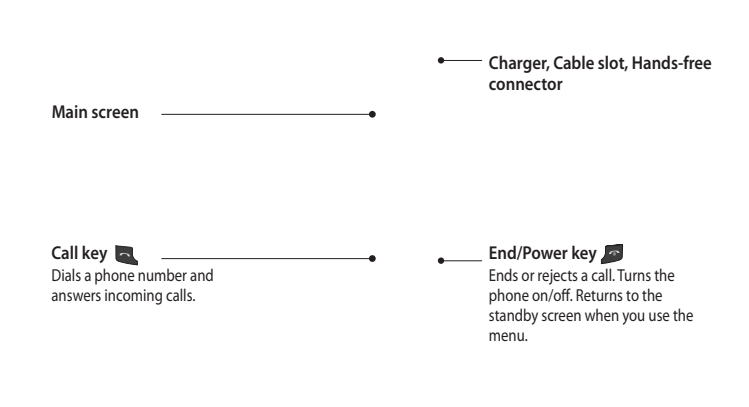
- Press Menu and select Media, then choose Music.
- Choose All tracks then select the song you want to play.
- Select to pause the song.
- Select to skip to the next song.
- Select to skip to the previous song.
- Select Back to stop the music and return to the music player menu.

### Playing a Song

You can create your own playlists by choosing a selection of songs from the All songs folder.

- Press Menu and select Media.
- Choose Music, then select Playlists.
- Press Options and select Add new playlist, then enter the playlist name and press Save.

## Getting to know your phone



## Calls

### Making a call

- Key in the number using the keypad. To delete a digit, press CLR.
- Press to initiate the call.
- To end the call, press .

**TIP!** To enter + when making an international call, press and hold 0.

### Making a Call from Your Contacts

- Select Names from the Standby screen.
- Using the keypad, enter the first letter of the contact you want to call. For example, for Office, press “6” three times to select the first character, “O”.
- Select Call or press to initiate the call.

### Answering and Rejecting a Call

When your phone rings, press to answer the call.

You can control the volume by pressing the Up and Down Navigation keys.

Press or select Reject to reject the incoming call.

**TIP!** You can change the settings on your phone to answer your calls in different ways. Press Menu, select Settings and choose Call. Select Answer mode and choose from Press send key, Slide up and Press any key.

## Messaging

Your LG-C105 includes text messaging, multimedia messaging and E-mail functions, and can also receive network service messages.

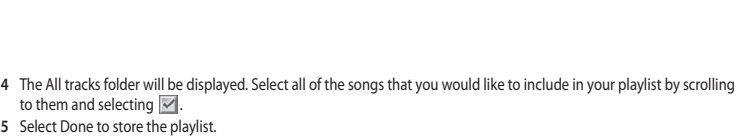
### Sending a Message

- Press Menu, select Messaging and choose Create message.
- A new message editor will open. The message editor combines Text message and Multimedia messages into one intuitive and easy-to-switch-between editor. The default setting for the message editor is text messages.
- Enter your message.
- Choose Options - Insert to add an Image, Video clip, Sound clip, Schedule, Business card, Note, Text field, To-do or Text template.
- Press Options - Send.

### Setting up Your E-mail

You can stay in touch on the move using email on your LG-C105. It's quick and simple to set up a POP3 or IMAP4 email account.

- Press Menu, select Messaging, and choose Message Settings.
- Select E-mail then E-mail accounts.
- Press Add then set the E-mail account.



## Camera

### Taking a Quick Photo

- Select Menu and select Media. Select Camera to open the viewfinder.
- Holding the phone, point the lens toward the subject of the photo.
- Position the phone so you can see the subject of your photo.
- Press the Center key to take a photo.

## Video Camera

### Shooting a Quick Video

- In the standby screen, select Menu and select Media.
- Choose Video.
- Point the camera lens toward the subject of the video.
- Press to start recording.
- “Rec” will appear in the bottom-left corner of the viewfinder and a timer will show the length of your video.
- Select Stop to stop recording.

### Installing a Memory Card

Lift the memory card cover and insert a microSD card with the gold contact area facing downward. Close the memory card cover so that it clicks shut. To remove the memory card, gently push it as shown in the diagram.

**Note:** A memory card is an optional accessory.



### Formatting the Memory Card

Press Menu and select Settings.

Choose Memory manager, select External memory, press Format, and then insert the security code.

**WARNING:** When you format your memory card, all the content will be wiped. If you do not want to lose the data on your memory card, back it up first.



### Speed Dialing

You can assign a speed dial number to a contact you call frequently.

### Viewing your Call History

You can only check the log of missed, received and dialed calls if the network supports Calling Line Identification (CLI) within the service area.

### Changing the call settings

You can set call-specific functions. Press Menu, select Settings and choose Call.

- Call divert** – Choose whether to divert your calls.
- Call barring** – Select when you would like calls to be barred.
- Fixed dial numbers** – Choose a list of numbers that can be called from your phone. You will need your PIN2 code from your operator. Only numbers included in the fixed dial list can be called from your phone.
- Call waiting** – Be alerted when you have a call waiting. This depends on your network provider.
- Call reject** – Set the rejected call list.
- Send my number** – Choose whether your number will be displayed when you call someone. This depends on your network provider.
- Auto redial** – Choose On or Off.
- Answer mode** – Choose whether to answer the phone using Any key, Send key only or Slide up.
- Free call timer** – Choose whether or not to display the call time.



### Sending an E-mail Using your New Account

To send/receive an email, you should set up an email account.

- Select Menu, select Messaging and choose Create message.
- Choose E-mail and a new email will open.
- Enter a subject.
- Enter your message.
- Press Options and select Insert to add an Image, Video Clip, Sound Clip, Business card, Schedule or Note.
- Press Send to and enter the recipient’s address, or press Options and select Insert - Contact Details to open your contacts list.
- Press Send and your email will be sent.

### Entering Text

You can enter alphanumeric characters using the phone’s keypad. The following text input methods are available on the phone: T9 predictive mode, ABC manual mode and 123 mode.

**Note:** Some fields may allow only one text input mode (e.g. telephone numbers in the address book fields).

### T9 Predictive Mode

T9 predictive mode uses a built-in dictionary to recognize the words you are writing based on the key sequences you press. Simply press the number key associated with the letter you want to enter, and the dictionary will recognize the word once all the letters are entered.

## FM Radio

### Using the FM Radio

Your LG-C105 has an FM radio feature so you can tune into your favorite stations and listen on the move.

### Listening to the Radio

- Press Menu and select Media, then choose FM radio.
- Select the channel number of the station you would like to listen to.

### Recording the Radio

- Press the center key while listening to the radio.
- The recording time is displayed on your phone. If you want to stop the recording, press the . When a recording has been made, the recorded contents will be saved in the Gallery as an mp3 file.
- When the recording is done, select Option and then choose from Play, Delete, Sound edit, File, Use as or Send via.

**Note:** If you are in an area with bad radio reception, you may have difficulty listening to the radio. It is recommended that you insert headphones into the hands-free connector when listening to the radio to ensure good radio reception.

## Voice Recorder

Use your Voice recorder to record voice memos or other sounds.

## Gallery

You can store any kind of Media file on your phone's memory to give you easy access to all of your images, sounds, videos, games etc. You can also save your files to a memory card. The advantage of using a memory card is that you can free up space on your phone's memory. All your multimedia files will be saved in the Gallery. Press Menu then select Gallery to open a list of folders.

## Organiser

### Setting your Alarm

You can set up to five alarms to go off at a specified time.

### Using the Calendar

When you enter this menu, a calendar appears. A square cursor is located on the current date.

You can move the cursor to another date using the navigation keys.

### Adding an Item to Your To-Do List

You can view, edit and add tasks to do.

### Using the Calculator

The calculator provides the basic arithmetic functions—addition, subtraction, multiplication and division—as well as scientific functions.

### Using the Stopwatch

This option allows you to use stopwatch functions.

### Converting Units

This can convert many measurements into the unit you want.

### Adding a City to Your World Time

You can add a required city to the list of world clocks. You can also check the current Greenwich Mean Time (GMT) and the time in major cities around the world.

### Go To

This helps you go to the menu you are searching for. You can set an item as Go to.

### Credit Transfer

The credit transfer application is activated for certain countries. This application offers a simple and secure way to transfer call credit to a new contact or a contact from your phonebook.

Some of the options for this application are described below.

- Contacts** - This option allows the user to select the contact from the handset phonebook to whom the call credit will be transferred.
- Security code on/off** - User can protect the use of the credit transfer application with this option. If the security code is activated (ON), then the security code will be requested before call credit transfers to ensure security.

### Using the Stopwatch

This option allows you to use stopwatch functions.

### Converting Units

This can convert many measurements into the unit you want.

### Adding a City to Your World Time

You can add a required city to the list of world clocks. You can also check the current Greenwich Mean Time (GMT) and the time in major cities around the world.

### Go To

This helps you go to the menu you are searching for. You can set an item as Go to.

### Credit Transfer

The credit transfer application is activated for certain countries. This application offers a simple and secure way to transfer call credit to a new contact or a contact from your phonebook.

Some of the options for this application are described below.

- Contacts** - This option allows the user to select the contact from the handset phonebook to whom the call credit will be transferred.
- Security code on/off** - User can protect the use of the credit transfer application with this option. If the security code is activated (ON), then the security code will be requested before call credit transfers to ensure security.

### Using the Stopwatch

This option allows you to use stopwatch functions.

### Converting Units

This can convert many measurements into the unit you want.

### Adding a City to Your World Time

You can add a required city to the list of world clocks. You can also check the current Greenwich Mean Time (GMT) and the time in major cities around the world.

### Go To

This helps you go to the menu you are searching for. You can set an item as Go to.

### Credit Transfer

The credit transfer application is activated for certain countries. This application offers a simple and secure way to transfer call credit to a new contact or a contact from your phonebook.

Some of the options for this application are described below.

- Contacts** - This option allows the user to select the contact from the handset phonebook to whom the call credit will be transferred.
- Security code on/off** - User can protect the use of the credit transfer application with this option. If the security code is activated (ON), then the security code will be requested before call credit transfers to ensure security.

### Using the Stopwatch

This option allows you to use stopwatch functions.

### Converting Units

This can convert many measurements into the unit you want.

### Adding a City to Your World Time

You can add a required city to the list of world clocks. You can also check the current Greenwich Mean Time (GMT) and the time in major cities around the world.

### Go To

This helps you go to the menu you are searching for. You can set an item as Go to.

### Credit Transfer

The credit transfer application is activated for certain countries. This application offers a simple and secure way to transfer call credit to a new contact or a contact from your phonebook.

Some of the options for this application are described below.

- Contacts** - This option allows the user to select the contact from the handset phonebook to whom the call credit will be transferred.
- Security code on/off** - User can protect the use of the credit transfer application with this option. If the security code is activated (ON), then the security code will be requested before call credit transfers to ensure security.

### Using the Stopwatch

This option allows you to use stopwatch functions.

### Converting Units

This can convert many measurements into the unit you want.

### Adding a City to Your World Time

You can add a required city to the list of world clocks. You can also check the current Greenwich Mean Time (GMT) and the time in major cities around the world.

### Go To

This helps you go to the menu you are searching for. You can set an item as Go to.

### Credit Transfer

The credit transfer application is activated for certain countries. This application offers a simple and secure way to transfer call credit to a new contact or a contact from your phonebook.

Some of the options for this application are described below.

- Contacts** - This option allows the user to select the contact from the handset phonebook to whom the call credit will be transferred.
- Security code on/off** - User can protect the use of the credit transfer application with this option. If the security code is activated (ON), then the security code will be requested before call credit transfers to ensure security.

### Using the Stopwatch

This option allows you to use stopwatch functions.

### Converting Units

This can convert many measurements into the unit you want.

### Adding a City to Your World Time

You can add a required city to the list of world clocks. You can also check the current Greenwich Mean Time (GMT) and the time in major cities around the world.

### Go To

This helps you go to the menu you are searching for. You can set an item as Go to.

### Credit Transfer

The credit transfer application is activated for certain countries. This application offers a simple and secure way to transfer call credit to a new contact or a contact from your phonebook.

Some of the options for this application are described below.

- Contacts** - This option allows the user to select the contact from the handset phonebook to whom the call credit will be transferred.
- Security code on/off** - User can protect the use of the credit transfer application with this option. If the security code is activated (ON), then the security code will be requested before call credit transfers to ensure security.

### Using the Stopwatch

This option allows you to use stopwatch functions.

### Converting Units

This can convert many measurements into the unit you want.

### Adding a City to Your World Time

You can add a required city to the list of world clocks. You can also check the current Greenwich Mean Time (GMT) and the time in major cities around the world.

### Go To

This helps you go to the menu you are searching for. You can set an item as Go to.

### Credit Transfer

The credit transfer application is activated for certain countries. This application offers a simple and secure way to transfer call credit to a new contact or a contact from your phonebook.

Some of the options for this application are described below.

- Contacts** - This option allows the user to select the contact from the handset phonebook to whom the call credit will be transferred.
- Security code on/off** - User can protect the use of the credit transfer application with this option. If the security code is activated (ON), then the security code will be requested before call credit transfers to ensure security.

### Using the Stopwatch

This option allows you to use stopwatch functions.

### Converting Units

This can convert many measurements into the unit you want.

### Adding a City to Your World Time

You can add a required city to the list of world clocks. You can also check the current Greenwich Mean Time (GMT) and the time in major cities around the world.

## Web

### Accessing the Web

You can launch the WAP browser and access the homepage of the activated profile on web settings. You can also manually enter a URL address and access the associated WAP page.

- Press Menu and select Web.
- To access the web homepage directly, select Home. Alternately, select Go to address and type in your desired URL.

## Connectivity

### Changing your Connectivity Settings

USB connection mode

- Mass storage: Select Mass storage and connect the handset to your computer. You can then drag and drop files to the LG-C105 removable device folder.
- PC Suite: Select PC Suite and connect the handset to your computer in PCSync mode. When a recording has been made, the recorded contents will be saved in the Gallery as an mp3 file.
- Always ask: Selecting this option will allow you to choose which method to use every time you connect your handset to your computer.

**Note:** To use the USB mass storage function, you will need to insert an external memory card in your phone.

<sup>[1]</sup> You can store any kind of Media file on your phone's memory to give you easy access to all of your images, sounds, videos, games etc

<sup>[2]</sup> You can also save your files to a memory card. The advantage of using a memory card is that you can free up space on your phone's memory