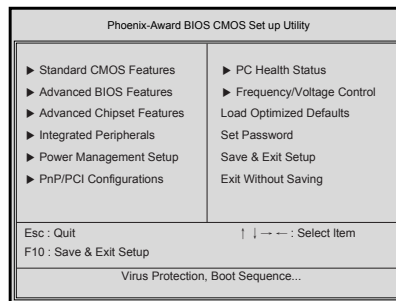


● Hard disk drive setup

- 1 Turn on the computer and monitor.
- 2 Press **[Delete]** key when the logo screen appears.

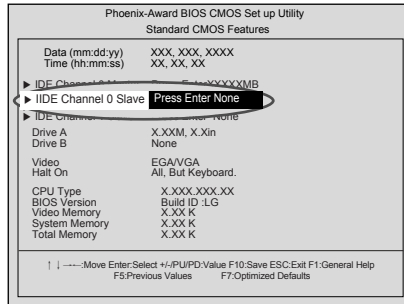


- 3 The CMOS Setup Utility opens.

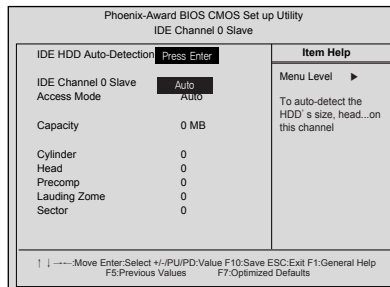


- 4 Use arrow **[↑]**, **[↓]**, **[←]**, and **[→]** keys to select **Standard CMOS Features**, and press **[Enter]**.

- 5 Use arrow [**↑**],[**↓**],[**←**], and [**→**] keys to select **IDE Channel 0 Slave**, and press [**Enter**].



- 6 After setting **IDE Channel 0 Slave** to **Auto** by pressing [**Enter**], press [**Enter**] in **IDE HDD Auto-Detection** so the system automatically recognizes the newly installed slave hard disk drive.



- 7 Press [**F10**] to save the new setting.

- 8 If the following message appears, press [**Enter**]. The computer restarts.

SAVE to CMOS and EXIT(Y/N)? Y

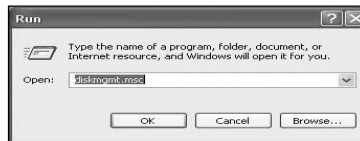
● Hard disk setup (Hard disk with factory default setting)

Caution

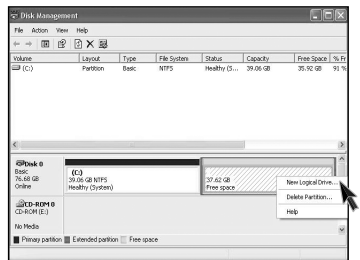
Be careful, Using <diskmgmt.msc> to divide partition delete data in a selected driver.

1 Click [Start] and [Run].

2 Type 'diskmgmt.msc' and press [OK].



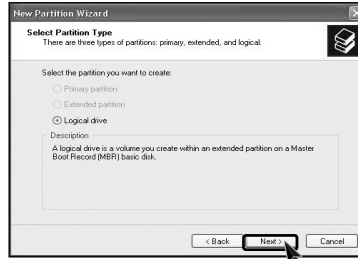
3 If the following window appears, select disk1. Click right button on the mouse to select New partition.



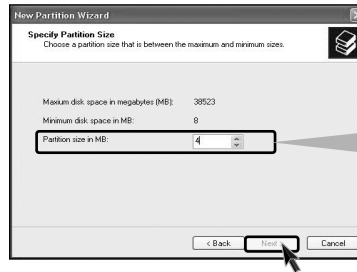
4 Click [Next] if the following message appears.



5 Select a partition and click **[Next]**.

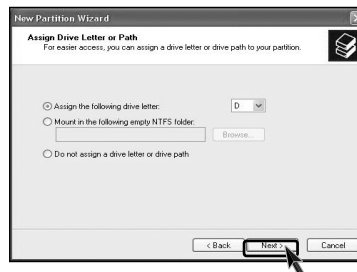


6 Select the maximum size and click **[Next]**.

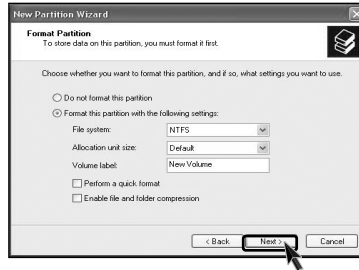


A selected space of the disk will be available to use.

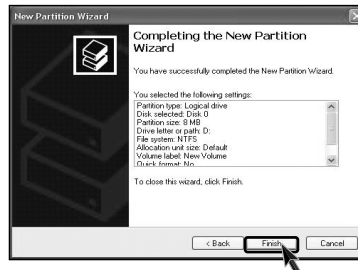
7 Click **[Next]** after selecting a drive value.



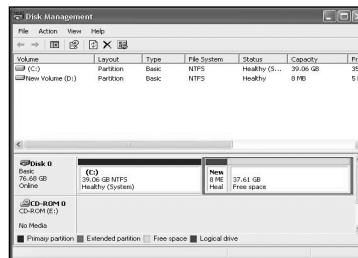
- 8 If the following window appears, select File system, Allocation unit size and Volume label, and click **[Next]**.



- 9 New Partition Wizard is complete, click **[Finish]**.



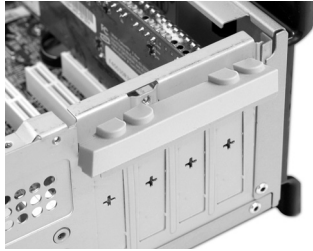
- 10 After the format is complete, the hard disk operates normally.



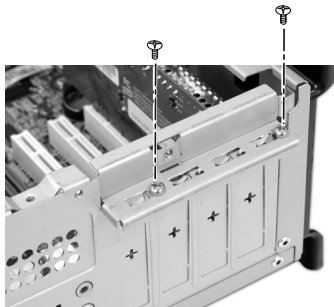
6-6. Installing expansion cards

When you are using the computer, you may need to install expansion cards to improve functionality. The following instruction describes how to install expansion cards.

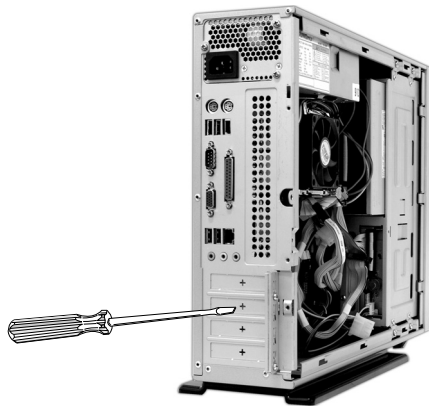
- 1 Refer to Opening the computer case to open the computer case cover.
- 2 Remove the caps shown on the picture.



- 3 Remove 2 screws as shown on the picture.



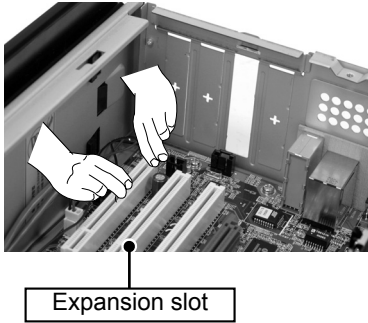
- 4 Use the driver and remove the metal slot cover.
(Remove it, only when installing an additional extension card.)



Warning

- Always use a screwdriver to open the case cover. There is the risk of injury.
- In order not to be injured when disassembling the computer, wear the gloves.

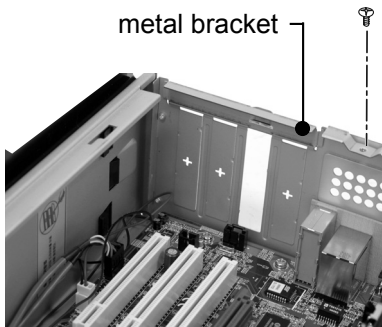
- 5 Hold the expansion card with both hands and align the expansion card and slot. Push down evenly to insert the card into the slot.



 **Caution**

- Incorrect installation of an expansion card may damage the main board and result in a computer malfunction.

- 6 Fasten a screw after installing a metal bracket.



 **Warning**

- Using the computer without closing the case may result in fire, electric shock, injury, and/or damage to the computer.

- 7 Close the cap in the same position as you removed it.



- 8 Refer to Closing the computer case to close the case cover of the computer.

- 9 Install the driver program for the new expansion card.

Specifications * EG/EM model

※ Specifications below differ depending on the models.

CPU	Intel Pentium 4 / Celeron mPGA478 type (2.4GHz or above)
System memory	256MB (up to 2.0 GB) - If built-in VGA is used, maximum 16MB and minimum 1MB is applied for Video Frame buffer in DOS Mode, but Windows Mode automatically manages the video memory (up to 96MB depending on System Memory size).
Cache memory	L1: 8KB/16KB or above, L2: 128KB/256KB/512KB/1024KB or above.
Hard disk drive	40GB or above (E-IDE type)
Floppy disk driver	One 3.5inch 1.44MB drive
Keyboard	PS/2 keyboard (104keys)
Mouse	PS/2 mouse or USB (ball / wheel)
Video	Integrated or external AGP graphic
Sound	Built-in AC'97 audio. Support MIC-IN, SPEAKER-OUT and LINE-IN.(Support virtual 5.1 channel output)
LAN	Integrated 10/100Base-T Ethernet
USB	6ports (support USB 2.0)
Serial I/O	One RS-232C (9pins)
Front I/O	Two USB ports and audio ports (SPEAKER-OUT and MIC-IN)
Parallel I/O	One printer port (25pins)
IEEE1394	One IEEE1394(EG), Not installed(EM)
Extension slot	Three PCI slots, one AGP(EG only) slot and four memory DIMM slots
Product size	Width 100 x Height 345 x depth 421.5(mm).
Cable	Power cable length 1.8m
Power spec	100~127 / 200~240VAC, 5A / 4A, 50/60Hz or 200~240VAC. 4A, 50/60Hz
Environmental requirement	Temperature:Average temperature:77°F (25°C) Operating temperature:41°F~95°F (5~35°C) Storage temperature:-4°F~131°F (-25~55°C)/Humidity:Average humidity:60%(RH) Operating humidity:30%~80%(RH)/Storage humidity:30%~80%(RH)

-NOTE

This equipment has been tested and found to comply with the limits for a Class B digital device, pursuant to part 15 of the FCC Rules. These limits are designed to provide reasonable protection against harmful interference in a residential installation. This equipment generates, uses and can radiate radio frequency energy and, if not installed and used in accordance with the instructions, may cause harmful interference to radio communications. However, there is no guarantee that interference will not occur in a particular installation. If this equipment does cause harmful interference to radio or television reception, which can be determined by turning the equipment off and on, the user is encouraged to try to correct the interference by one or more of the following measures:

- Reorient or relocate the receiving antenna.
- Increase the separation between the equipment and receiver.
- Connect the equipment into an outlet on a circuit different from that to which the receiver is connected.
- Consult the dealer or an experienced radio/TV technician for help.

Caution

Changes or modifications not expressly approved by the party responsible for compliance could void the user's authority to operate the equipment.

memo

memo