



LG

Life's Good

ENGLISH

OWNER'S MANUAL

LED LCD MONITOR

Please read this manual carefully before operating your set and retain it for future reference.

LED LCD MONITOR MODEL

E2342V

E2442V

E2742V

CONTENTS

3 ASSEMBLING AND PREPARING

- 3 Unpacking
- 4 Parts and buttons
- 6 Setting up the Monitor set
 - 6 - Attaching the Stand
 - 6 - Detaching the Stand
 - 7 - Mounting on a table
 - 8 - Mounting on a wall

10 USING THE MONITOR SET

- 10 Connecting to a PC
 - 10 - D-SUB connection
 - 10 - DVI-D connection
 - 10 - HDMI connection

12 CUSTOMIZING SETTINGS

- 12 Accessing The Main Menus
- 13 Customizing Settings
 - 13 - Menu Settings
 - 14 -PICTURE
 - 15 -COLOR
 - 16 -DISPLAY
 - 16 -VOLUME
 - 17 -OTHERS
 - 18 SUPER ENERGY SAVING

- 19 MODE Setting

20 TROUBLESHOOTING

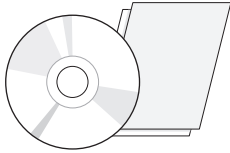
22 SPECIFICATIONS

- 22 E2342V
- 23 E2442V
- 24 E2742V
- 25 Preset Modes (Resolution)
- 25 Indicator

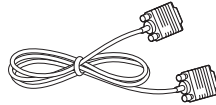
ASSEMBLING AND PREPARING

Unpacking

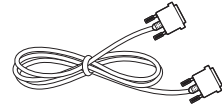
Check your product box for the following items. If there are any missing accessories, contact the local dealer where you purchased your product. The illustrations in this manual may differ from the actual product and accessories.



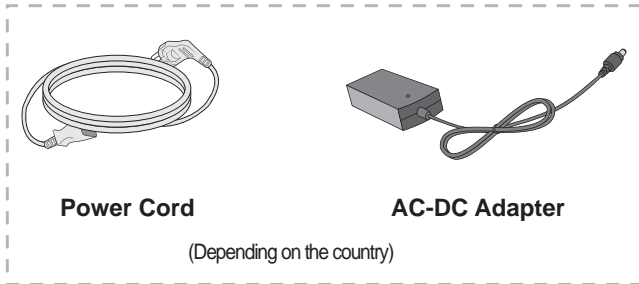
**CD(Owner's Manual) /
Card**



D-SUB Cable



DVI-D Cable
(This cable is not included in all
countries.)

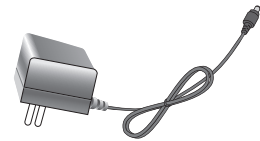


Power Cord

(Depending on the country)

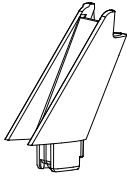
AC-DC Adapter

OR

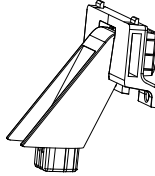


AC-DC adapter

(Depending on the country)



Stand Body
(E2342V /E2442V)



Stand Body
(E2742V)



Stand Base



CAUTION

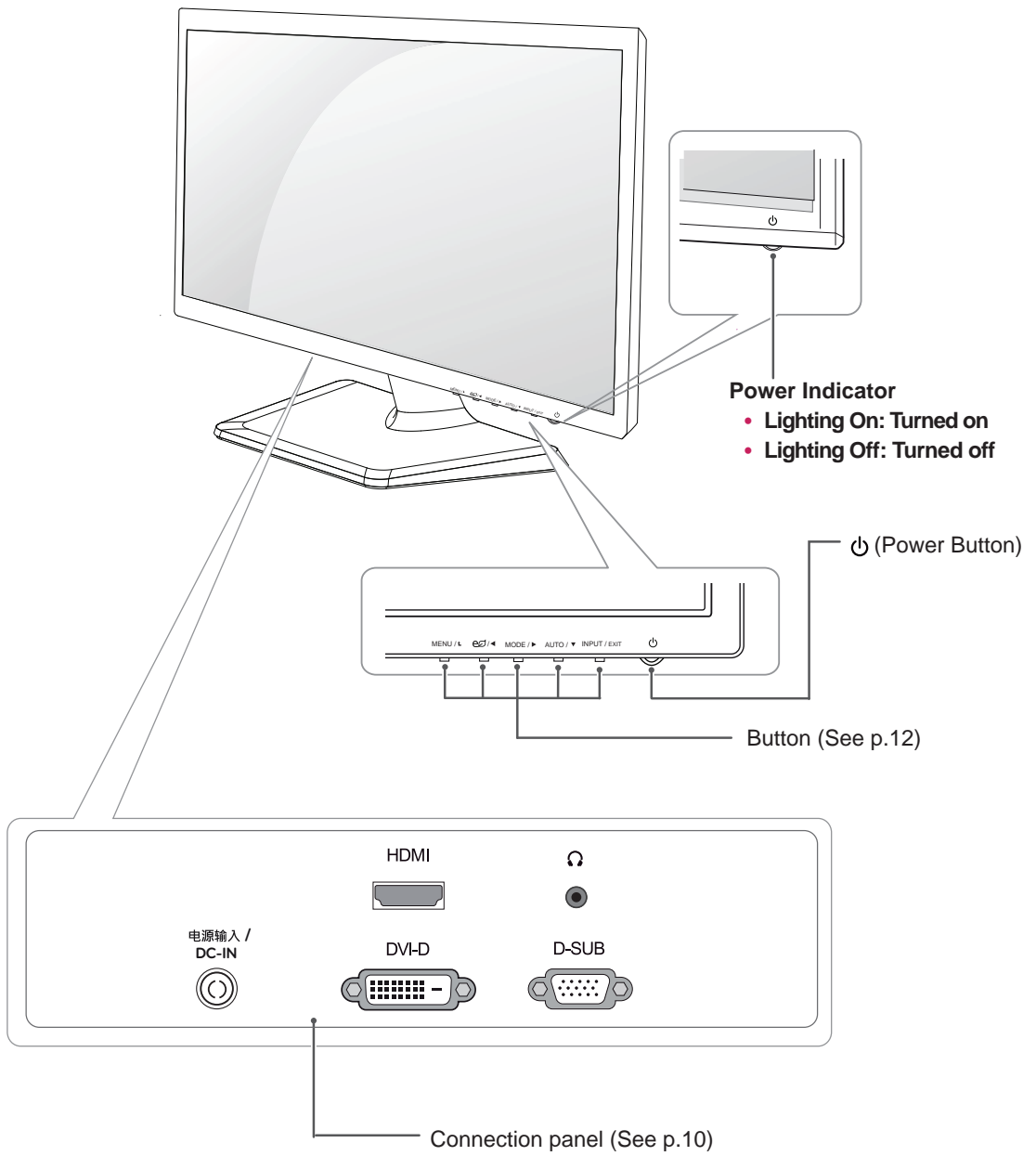
- Do not use any unapproved accessories to ensure the safety and product life span.
- Any damages or injuries by using unapproved accessories are not covered by the warranty.



NOTE

- The accessories supplied with your product may vary depending on the model.
- Product specifications or contents in this manual may be changed without prior notice due to upgrade of product functions.

Parts and buttons



Setting up the Monitor set

Attaching the Stand

- 1 Place the Monitor set with the screen side down on a flat and cushioned surface.

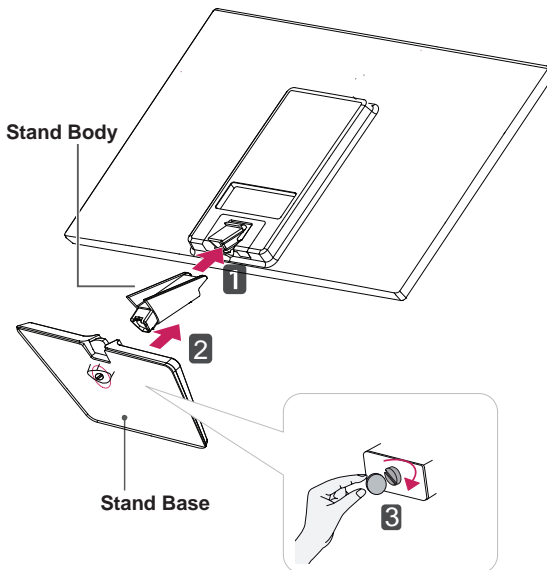


CAUTION

Lay a foam mat or soft protective cloth on the surface to protect the screen from damage.

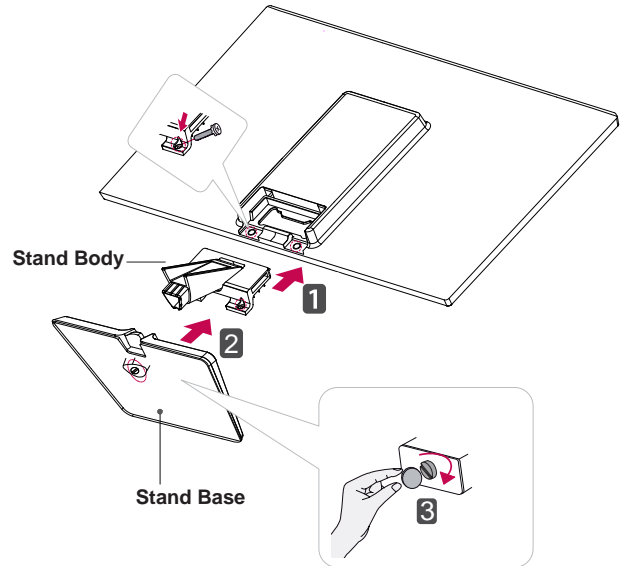
2 E2342V/E2442V

Attach the Stand body and then attach the Stand Base, then tighten the screw to the right with a Coin.



E2742V

Use two screw to assemble the Stand Body and back cover, attach the stand base and then tighten the screw to the right with a Coin.

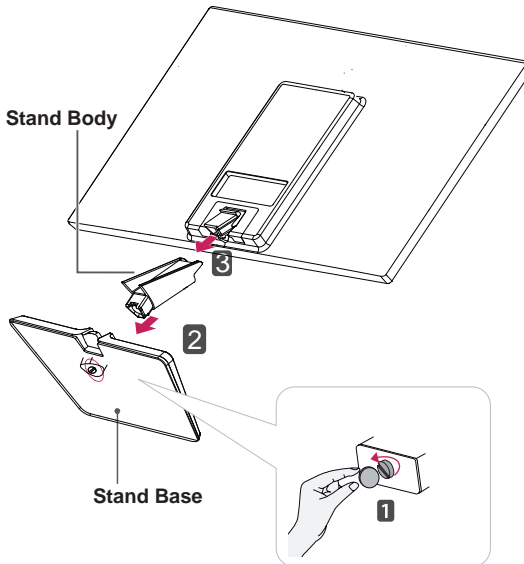


Detaching the Stand

- 1 Place the Monitor set with the screen side down on a flat and cushioned surface.

2 E2342V/E2442V

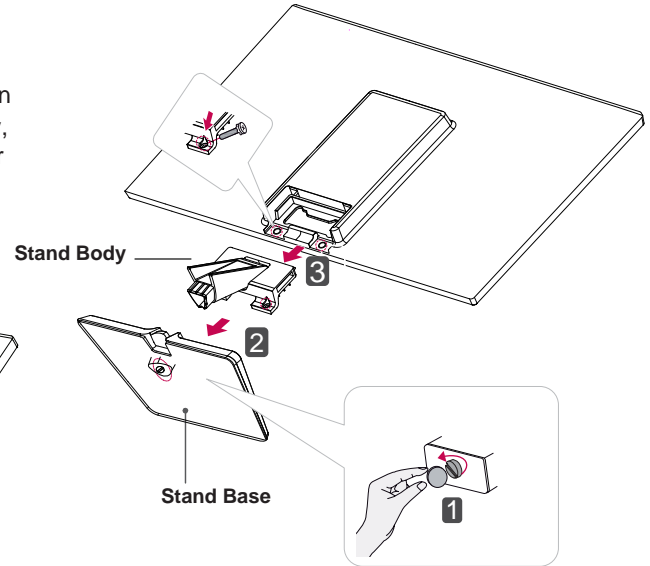
Turn the screw to the left with a **Coin**, and then pull out the **Stand Base** from the **Stand Body**, then pull out the **Stand Body** from the Monitor set .



E2742V

Turn the screw to the left with a **Coin**, and then pull out the **Stand Base** from the **Stand Body**.

Remove 2 screws and pull out the Stand Body from the Monitor set.

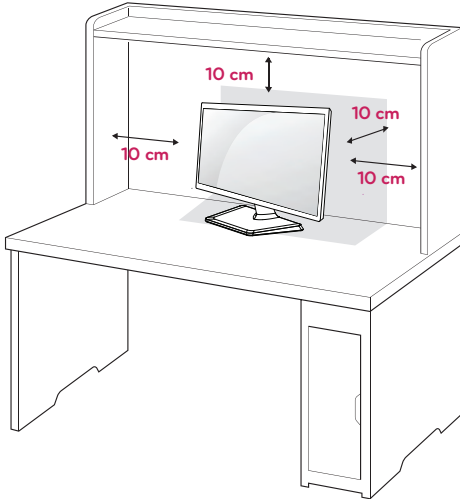


CAUTION

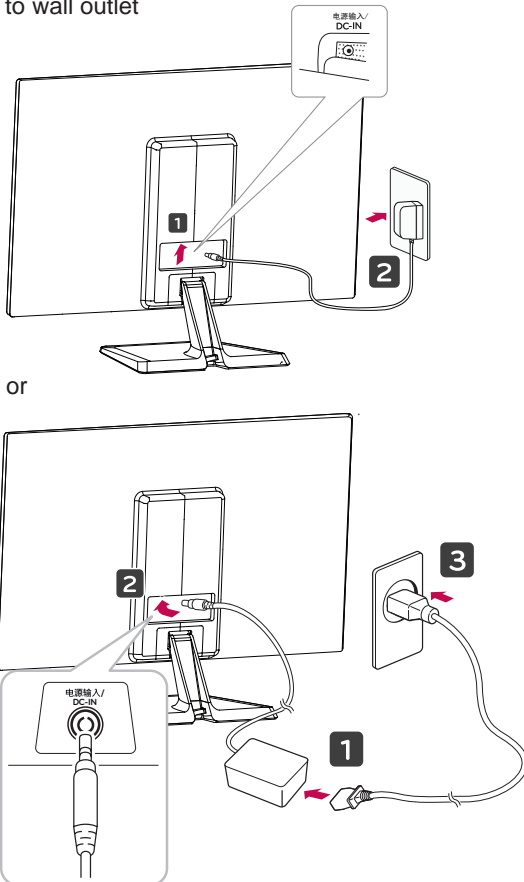
- This illustration depicts the general model of connection. Your monitor may differ from the items shown in the picture.
- Do not carry the product upside down holding only the stand base. The product may fall and get damaged or injure your foot.

Mounting on a table

- 1 Lift and tilt the Monitor set into its upright position on a table.
Leave a 10 cm (minimum) space from the wall for proper ventilation.



- 2 Connect the AC-DC adapter and Power Cord to wall outlet



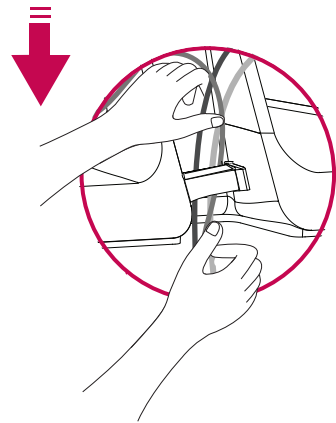
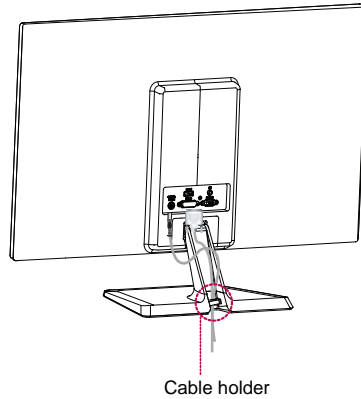
- 3 Press ⏻(Power) button on the bottom switch panel to turn the power on.



CAUTION

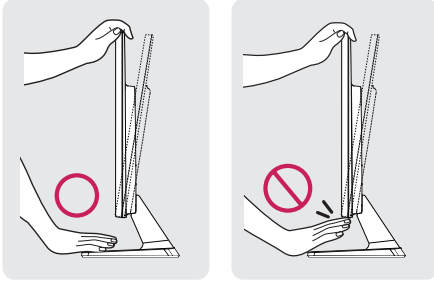
Unplug the power cord before moving the Monitor to another location. Otherwise electric shock may occur.

Using the cable holder

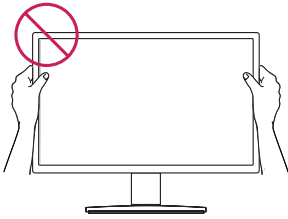


! WARNING

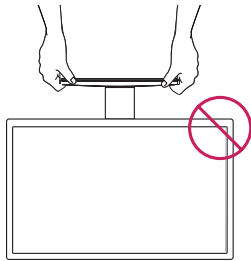
When you adjust the angle, do not hold the bottom of the Monitor set frame as shown on the following illustration, as may injure your fingers.



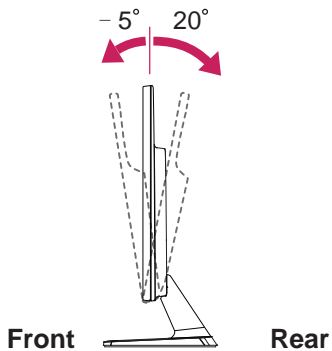
Do not touch or press the screen when adjusting the angle of the monitor.



Do not hold this set like below picture. Monitor screen can detach from stand base and injure your body.

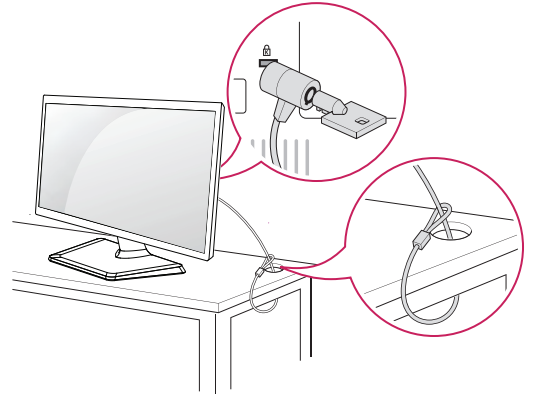
**! NOTE**

Tilt from +20 to -5 degrees up or down to adjust the angle of the Monitor set to suit your view.

**Using the Kensington security system**

The Kensington security system connector is located at the back of the Monitor set. For more information of installation and using, refer to the manual supplied with the Kensington security system or visit <http://www.kensington.com>.

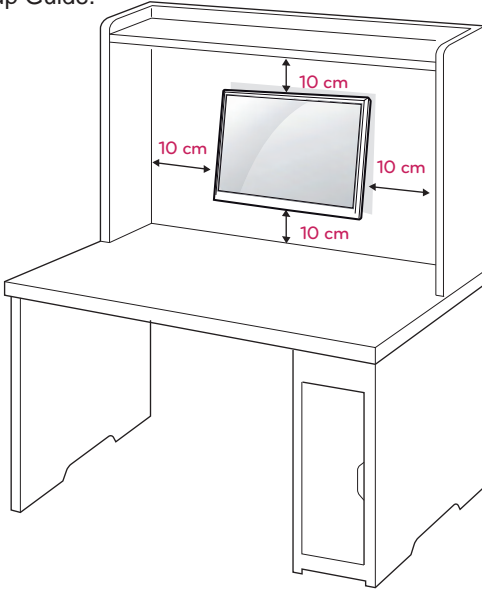
Connect the Kensington security system cable between the Monitor set and a table.

**! NOTE**

The Kensington security system is optional. You can obtain it from most electronics stores.

Mounting on a wall

For proper ventilation, allow a clearance of 10 cm on each side and from the wall. Detailed instructions are available from your dealer, see the optional Tilt Wall Mounting Bracket Installation and Setup Guide.



If you intend to mount the Monitor set to a wall, attach Wall mounting interface (optional parts) to the back of the set.

When you install the Monitor set using a wall mounting interface (optional parts), attach it carefully so it will not drop.

- 1 Please, Use the screw and wall mount interface in accordance with VESA Standards.
- 2 If you use screw longer than standard, the monitor might be damaged internally.
- 3 If you use improper screw, the product might be damaged and drop from mounted position. In this case, LG Electronics is not responsible for it.
- 4 VESA compatible.
- 5 Please use VESA standard as below.
 - 784.8 mm (30.9 inch) and under
 - * Wall Mount Pad Thickness : 2.6 mm
 - * Screw : Φ 4.0 mm x Pitch 0.7 mm x Length 10 mm
 - 787.4 mm (31.0 inch) and above
 - * Please use VESA standard wall mount pad and screws.

Model	E2342V	E2442V E2742V
VESA (A x B)	75 x 75	100 x 100
Standard screw	M4	
Number of screws	4	



CAUTION

- Disconnect the power cord first, and then move or install the Monitor set. Otherwise electric shock may occur.
- If you install the Monitor set on a ceiling or slanted wall, it may fall and result in severe injury.
- Use only an authorized LG wall mount and contact the local dealer or qualified personnel.
- Do not over tighten the screws as this may cause damage to the Monitor set and void your warranty.
- Use only screws and wall mounts that meet the VESA standard. Any damages or injuries by misuse or using an improper accessory are not covered by the warranty.



NOTE

- Use the screws that are listed on the VESA standard screw specifications.
- The wall mount kit will include an installation manual and necessary parts.
- The wall mount bracket is optional. You can obtain additional accessories from your local dealer.
- The length of screws may differ depending on the wall mount. Be sure to use the proper length.
- For more information, refer to the instructions supplied with the wall mount.

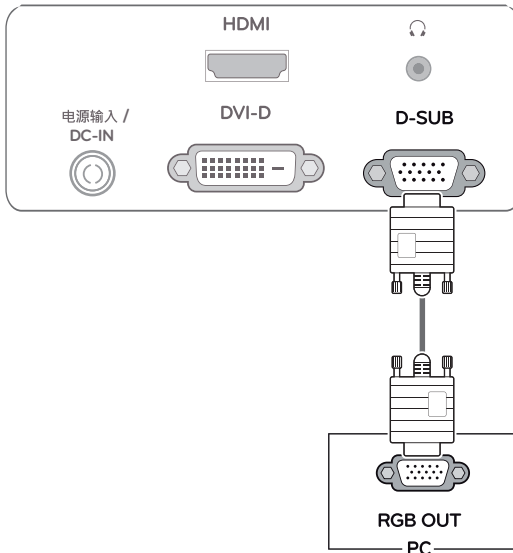
USING THE MONITOR SET

Connecting to a PC

- Your Monitor set supports Plug & Play*.
- *Plug & Play: A PC recognizes a connected device that users connect to a PC and turn on, without device configuration or user intervention.

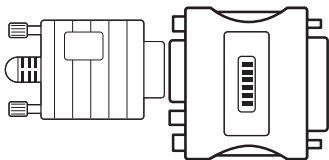
D-SUB connection

Transmits analog video from your PC to the Monitor set. Connect the PC and the Monitor set with the supplied D-sub 15 pin signal cable as shown in the following illustrations.



NOTE

- When using a D-Sub signal input cable connector for Macintosh

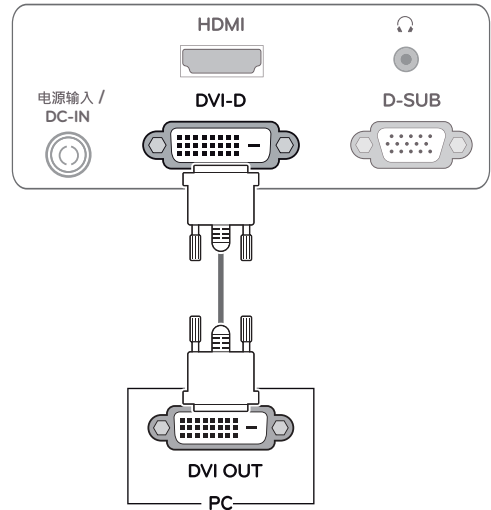


Mac adapter

For Apple Macintosh use, a separate plug adapter is needed to change the 15 pin high density (3 row) D-SUB VGA connector on the supplied cable to a 15 pin 2 row connector.

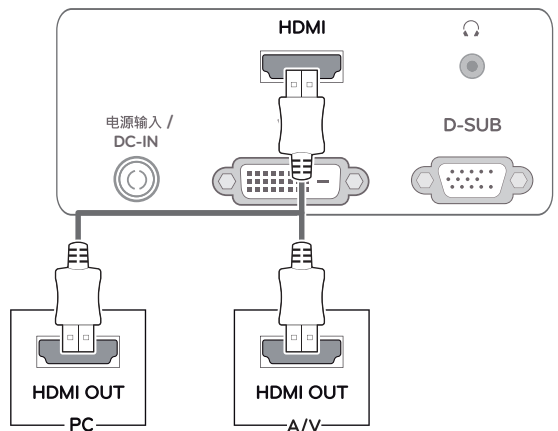
DVI-D connection

Transmits a digital video signal from your PC to the Monitor set. Connect the PC and the Monitor set with a DVI cable as shown in the following illustrations.



HDMI connection

Transmits the digital video and audio signals from your PC or A/V to the Monitor set. Connect the PC or A/V and the Monitor set with the HDMI cable as shown in the following illustrations.

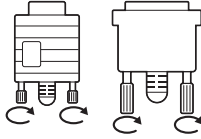


NOTE

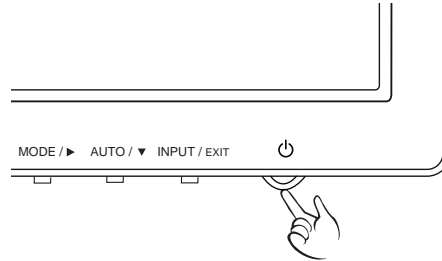
- If you use HDMI PC, it can cause compatibility problem.

**CAUTION**

- Connect the signal input cable and tighten it by turning the screws clockwise.
- Do not press the screen with your finger for a long time as this may result in temporary distortion on the screen.
- Avoid displaying a fixed image on the screen for a long period of time to prevent image burn. Use a screensaver if possible.

**Self Image Setting Function**

Press the power button on the bottom panel to turn the power on. When monitor power is turned on, the **"Self Image Setting"** Function is executed automatically. (Only supported in Analog Mode)

**NOTE**

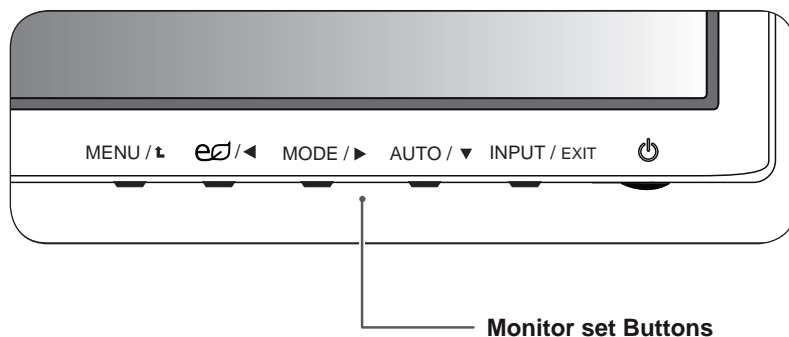
- When you want to use two PC in our Monitor, please connect the signal cable(D-SUB/ DVI-D/HDMI) respectively in Monitor set.
- If you turn the Monitor set on while it is cold, the screen may flicker. This is normal.
- Some red, green, or blue spots may appear on the screen. This is normal.

**NOTE**

- **"Self Image Setting" Function.**
This function provides the user with optimal display settings. When the user connects the monitor for the first time, this function automatically adjusts the display to optimal settings for individual input signals. (Only supported in Analog Mode)
- **'AUTO' Function.**
When you encounter problems such as blurry screen, blurred letters, screen flicker or tilted screen while using the device or after changing screen resolution, press the AUTO function button to improve resolution. (Only supported in Analog Mode)

CUSTOMIZING SETTINGS

- 1 Press the desired button on the bottom of the Monitor set .
- 2 Change the value of the menu item by pressing the buttons on the bottom of the Monitor set.
To return to the upper menu or set other menu items, use the up arrow (▲) button.
- 3 Select **EXIT** to leave the OSD menu.

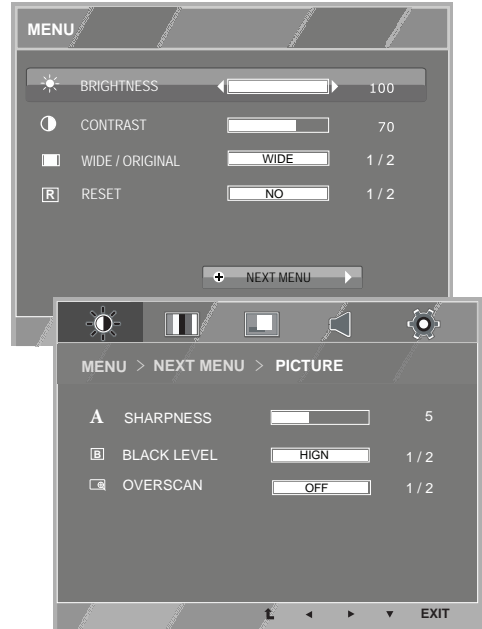


Button	Description
MENU / ▲	Accesses the main menus.(See p.13) OSD LOCKED/ UNLOCKED This function allows you to lock the current control settings, so that they cannot be inadvertently changed. Press and hold the MENU button for several seconds. The message "OSD LOCKED" should appear. You can unlock the OSD controls at any time by pushing the MENU button for several seconds. The message "OSD UNLOCKED" should appear.
eS / ◀ (SUPER ENERGY SAVING)	Use this button to enter SUPER ENERGY SAVING menu.For more information.(See p.18)
MODE / ▶	Use this button to enter CUSTOM,TEXT,PHOTO,CINEMA,GAME menus.(See p.19)
AUTO / ▼	When adjusting your display settings, always press the AUTO button on the MONITOR SETUP OSD. (Only supported in Analog Mode) The best display mode 1920 x 1080
INPUT / EXIT	INPUT You can choose the input signal. <ul style="list-style-type: none"> • When two input signals are connected, you can select the input signal (D-SUB/DVI/ HDMI) you want. • When only one signal is connected, it is automatically detected. The default setting is D-SUB.
	EXIT Exit the OSD(On Screen Display).
⏻ (Power Button)	Turns the power on or off. Power Indicator The power indicator stays red if the display is running properly (On Mode). If the display is in Sleep Mode, the power indicator blinks red.

Customizing Settings

Menu Settings

- 1 Press **MENU** button on the bottom of the Monitor set to display the **MENU** OSD.
- 2 Set the options by pressing the ◀ or ▶ or ▼ buttons.
- 3 Select the "NEXT MENU" button to enter the more option settings.
- 4 Select **EXIT** to leave the OSD menu.
To return to the upper menu or set other menu items, use the up arrow (⬆) button.



Each option is explained below.

Menu	Analog	Digital	HDMI	Description
BRIGHTNESS	•	•	•	To adjust the brightness, contrast of the screen.
CONTRAST	•	•	•	
WIDE/ORIGINAL	•	•	•	WIDE
				Switch to full screen mode according to input image signal.
RESET	•	•	•	ORIGINAL
				Change the input image signal ratio to original. * This function works only if input resolution is lower than Monitor set ratio (16:9).
RESET	•	•	•	Restore all factory default settings . Press the ◀ , ▶ buttons to reset immediately.

MENU-->NEXT MENU	Analog	Digital	HDMI	Description
PICTURE	•	•	•	SHARPNESS
				To adjust the clearness of the screen .
				BLACK LEVEL
COLOR	•	•	•	OVERSCAN
				To improve the clarity and stability of the screen.
				GAMMA
DISPLAY	•	•	•	COLOR TEMP
				To customize the color of the screen
				HORIZONTAL
VOLUME	•	•	•	VERTICAL
				To adjust the position of the screen
				CLOCK
OTHERS	•	•	•	PHASE
				To improve the clarity and stability of the screen
				LANGUAGE
OTHERS	•	•	•	POWER INDICATOR
				To adjust the volume
				WHITE BALANCE
				To customize the screen status for a user's operating environment

- **Analog:** D-SUB(Analog signal) input.
- **Digital:** DVI-D(Digital signal) input.
- **HDMI:** HDMI(Digital signal) input.