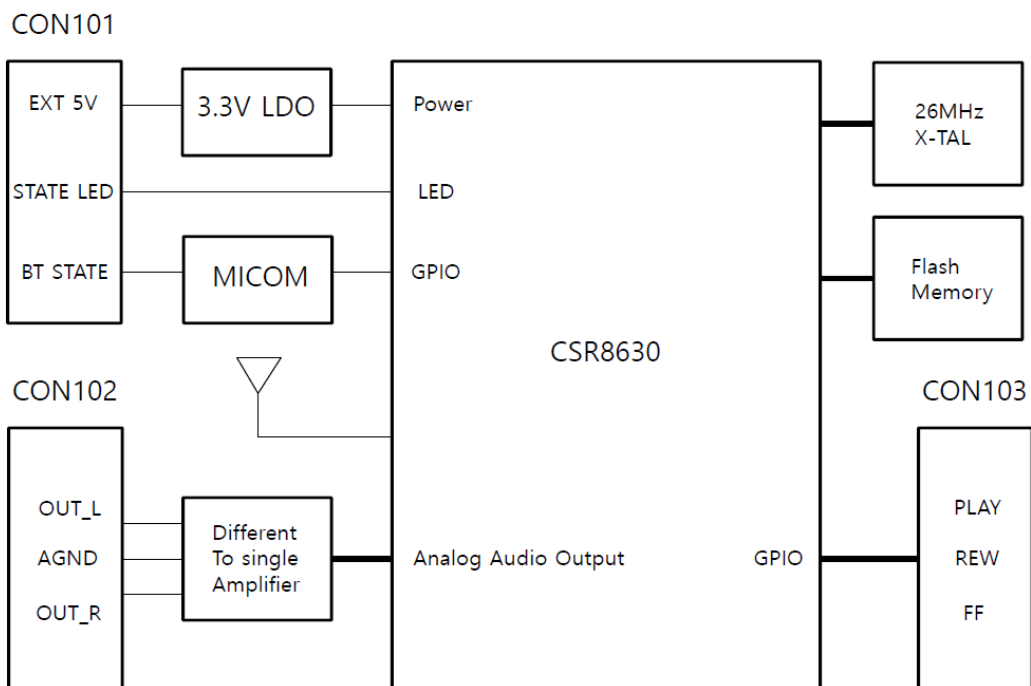




## APPENDIX H : USER'S MANUAL

# BT AUX Module User Guide

This product is installed and used in refrigerator using 2.4GHz Bluetooth technology. It is a Bluetooth module that can be connected to another Bluetooth device and output the sound of that device.



## 1. Description of operatio

	Pin Num	Pin name	Pin Discription
CON101	1	EXT_5V	Receives 5V operation voltage from outside
	2	BT_STATE_LED	Shows Bluetooth connection status. 1) Pairing Standby LED 250 ms ON, 250 ms OFF 2) Connection status LED ON 3) disconnection status LED OFF
	3	BT_STATE	Maintain High (3.3V) when playing music
	4	GND	Ground

	Pin Num	Pin name	Pin Discription
CON102	1	OUT_L	Audio Left output
	2	A_GND	Audio Ground
	3	OUT_R	Audio Right output

	Pin Num	Pin name	Pin Discription
CON103	1	PLAY/Pause	Play / Pause toggle when inputting High (3.3V) for 1 second or more from the outside
	2	REW	Rewind when receiving 500ms square wave (3.3V) input from outside when playing musi
	3	FF	Forward operation when receiving 500ms square wave (3.3V) input from outside when playing music

## 2. Certification and safety approvals

The radio equipment may not be able to provide services related to personal safety due to possible radio interference

### RF standard

Frequency	2402MHz~2480MHz
Propagation	F1D,G1D
Communication	Repeatable type
Environment	-30 °C~50°C
Power source	DC 5V

## Indication of device certification

Product name	Small-power wireless devices
	Wireless devices for wireless data communication systems
	BT AUX Module
Trade Name or Applicant	LG Electronics
Manufacturer / Country of Manufacture	LG Electronics / Korea
Certification Number	BEJEBR844226

## 3. Product Specifications and Characteristics

Product name	BT AUX Module
Product Size	30mm X 45mm
Power	DC 5V
Wireless range	10m 이내
Supported Bluetooth profiles	A2DP
	AVRCP
Bluetooth Specification	Ver4.1

- **7. Notice**
- **WARNING**
- This device is not available for laptop or similar portable system.
  
- **7.1 FCC (Certification)**
- This device complies with part 15 of the FCC rules.
- Operation is subject to the following two conditions:
- (1) This device may not cause harmful interference, and
- (2) This device must accept any interference received, including interference that may cause undesired operation
  
- **FCC WARNING:** This equipment may generate or use radio frequency energy. Changes or modifications to this equipment may cause harmful interference unless the modifications are expressly approved in the instruction manual. The user could lose the authority to operate this equipment if an unauthorized change or modification is made.
  
- **U.S. Regulatory Wireless Notice**
- This products emits radio frequency energy, but the radiated output power of this device is far below the FCC radio frequency exposure limits. Nevertheless, the device should be used in such a manner that the potential for human contact with the antenna during normal operation is minimized.
  
- **FCC Radiation Exposure Statement**
- This equipment complies with FCC radiation exposure limits set forth an uncontrolled environment. This equipment should be installed and operated with minimum distance 20cm between the radiator and your body. This transmitter must not be co-located or operating in conjunction with any other antenna or transmitter.
- Caution : Any changes or modifications to this device not explicitly approved by manufacturer could void your authority to operate this equipment.
  
- **End Product Labeling**
- The modular transmitter must be labeled with its own FCC ID number, and, if the FCC ID is not visible when the module is installed inside another device, then the outside of the device into which the module is installed must also display a label referring to the enclosed module. This exterior label can use wording such as the following: "Contains Transmitter Module FCC ID: BEJEBR844226" or "Contains FCC ID: BEJEBR844226". Any similar wording that expresses the same meaning may be used. The Grantee may either provide such a label, an example of which must be included in the application for equipment authorization, or, must provide adequate instructions along with the module which explain this requirement. In the latter case, a copy of these instructions must be included in the application for equipment authorization.

- **7.2 IC (Certification)**

- This device complies with RSS-247 of the Industry Canada Rules.
- Operation is subject to the following two conditions:
- 1) this device may not cause interference and
- 2) this device must accept any interference, including interference that may cause undesired operation of the device

- **IC Warning**

- This device complies with Industry Canada license-exempt RSS standard(s).
- Operation is subject to the following two conditions:
- (1) this device may not cause interference, and
- (2) this device must accept any interference, including interference that may cause undesired operation of the device.
- Le présent appareil est conforme aux CNR d'Industrie Canada applicables aux appareils radio exempts de licence. L'exploitation est autorisée aux deux conditions suivantes :
- (1) l'appareil ne doit pas produire de brouillage, et
- (2) l'utilisateur de l'appareil doit accepter tout brouillage radioélectrique subi, même si le brouillage est susceptible d'en compromettre le fonctionnement.

- **IC Radiation Exposure Statement:**

- This equipment complies with IC radiation exposure limits set forth for an uncontrolled environment. This equipment should be installed and operated with minimum distance 20 cm between the radiator & your body.
- NOTE: THE MANUFACTURER IS NOT RESPONSIBLE FOR ANY RADIO OR TV INTERFERENCE CAUSED BY UNAUTHORIZED MODIFICATIONS TO THIS EQUIPMENT. SUCH MODIFICATIONS COULD VOID THE USER'S AUTHORITY TO OPERATE THE EQUIPMENT.