



**LG**

Life's Good

ENGLISH

## OWNER'S MANUAL

# IPS LED MONITOR

Please read this manual carefully before operating your set and retain it for future reference.

**IPS LED MONITOR MODEL**

IPS237L

IPS277L

# CONTENTS

## 3 ASSEMBLING AND PREPARING

---

- 3 Unpacking
- 4 Parts and buttons
- 5 Setting up the Monitor set
- 5 - Attaching the Stand Base
- 6 - Detaching the Stand
- 6 - Mounting on a table
- 7 - Using the cable holder
- 9 - Mounting on a wall

## 10 USING THE MONITOR SET

---

- 10 Connecting to a PC
- 10 - D-SUB connection
- 10 - HDMI connection

## 12 CUSTOMIZING SETTINGS

---

- 13 Customizing Settings
- 13 - Menu Settings
- 14 -PICTURE
- 15 -COLOR
- 16 -DISPLAY
- 16 -VOLUME
- 17 -OTHERS
- 18 MY KEY Setting
- 19 -SUPER ENERGY SAVING
- 20 -DUAL DISPLAY
- 20 -DUAL WEB
- 21 -True Color Finder
- 21 -MY KEY SETTING

## 22 TROUBLESHOOTING

---

## 24 SPECIFICATIONS

---

- 24 IPS237L
- 25 IPS277L
- 26 Preset Modes (Resolution)
- 26 Indicator

## 27 PROPER POSTURE

---

- 27 Proper posture for using the Monitor set.

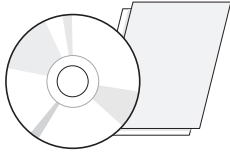
## 28 LICENSES

---

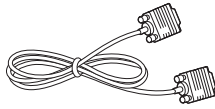
# ASSEMBLING AND PREPARING

## Unpacking

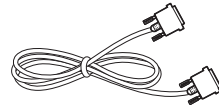
Check your product box for the following items. If there are any missing accessories, contact the local dealer where you purchased your product. The illustrations in this manual may differ from the actual product and accessories.



**CD(Owner's Manual) /  
Card**



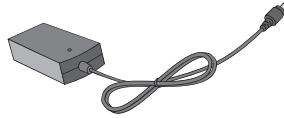
**D-SUB Cable**  
(This cable is not included in all  
countries.)



**DVI-D Cable**  
(This cable is not included  
in all countries.)

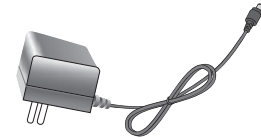


**Power Cord**  
( Depending on the country )

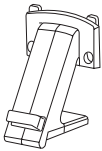


**AC-DC Adapter**

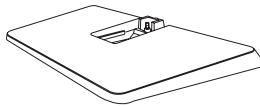
or



**AC-DC Adapter**  
( Depending on the country )



**Stand Body**



**Stand Base**



**Two Screws**



### CAUTION

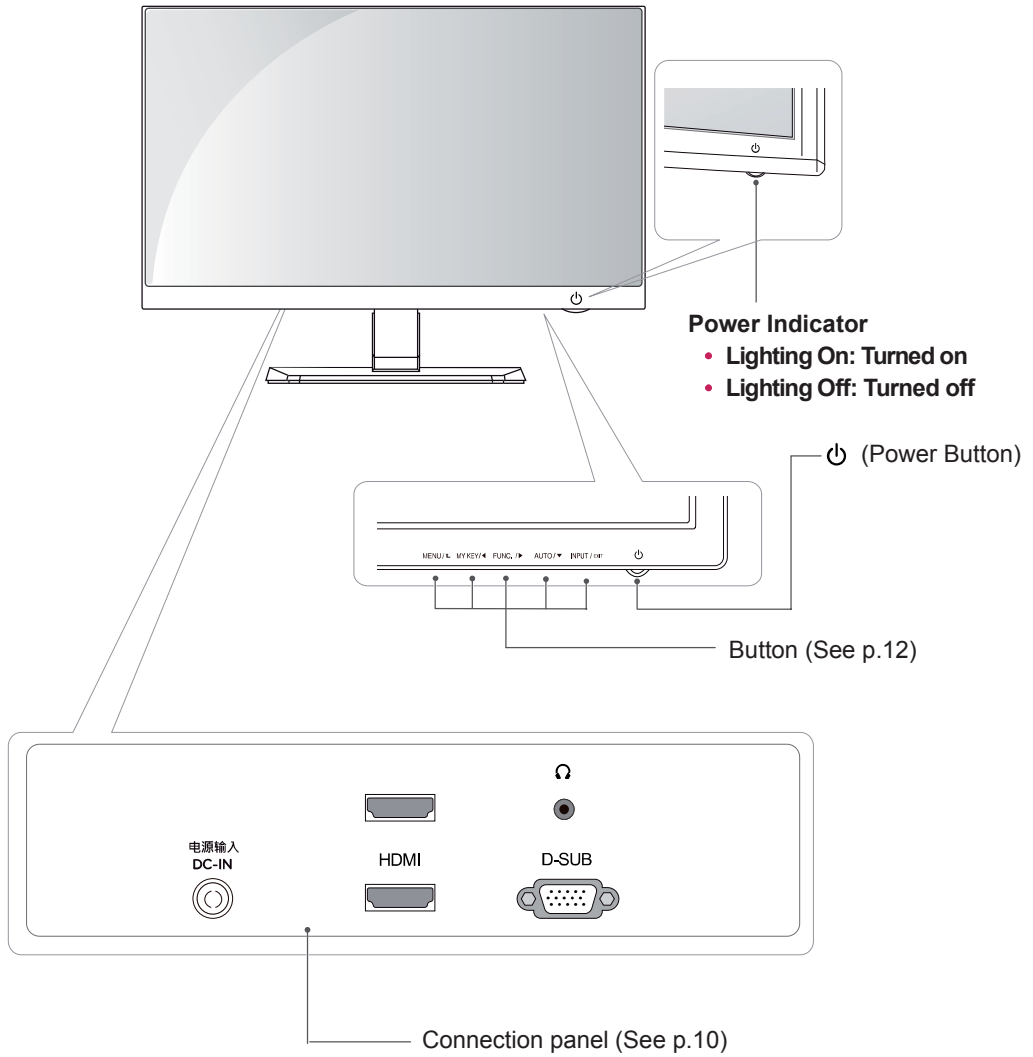
- Do not use any unapproved accessories to ensure the safety and product life span.
- Any damages or injuries by using unapproved accessories are not covered by the warranty.



### NOTE

- The accessories supplied with your product may vary depending on the model.
- Product specifications or contents in this manual may be changed without prior notice due to upgrade of product functions.

## Parts and buttons



## Setting up the Monitor set

### Attaching the Stand Base

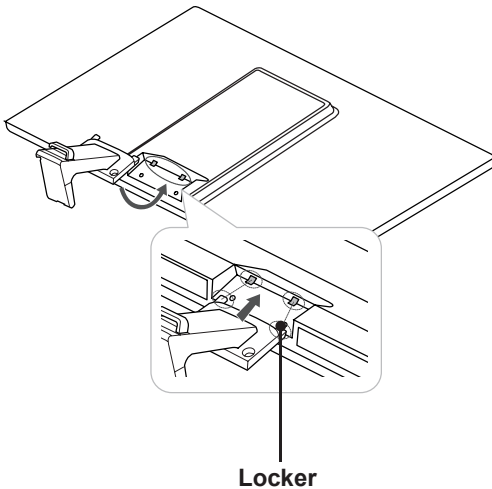
- 1 Place the Monitor set with the screen side down on a flat and cushioned surface.



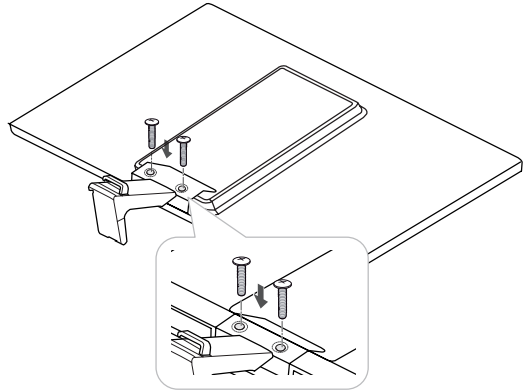
#### CAUTION

Lay a foam mat or soft protective cloth on the surface to protect the screen from damage.

- 2 Attach the **Stand Body** from the monitor.  
Insert the two **Lockers** of the **Stand Body** right into the groove of the monitor head and secure them by pressing the left and right bottom sides.



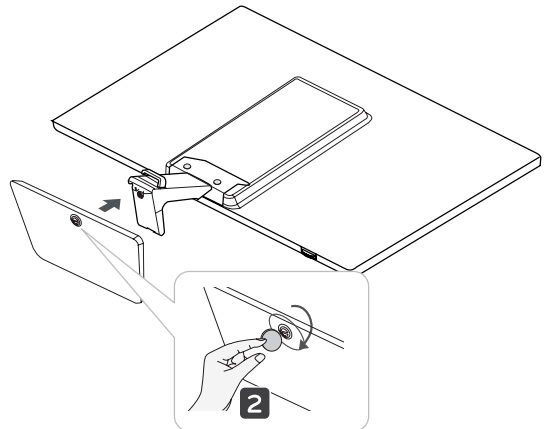
- 3 Secure the monitor and the **Stand Body** with the 2 screws.



#### WARNING

If you don't fasten the screw tightly, monitor will fall down and get damaged.

- 4 Attach the **Stand Base** from the **Stand Body** by turning the screw to the right with a **Coin**.

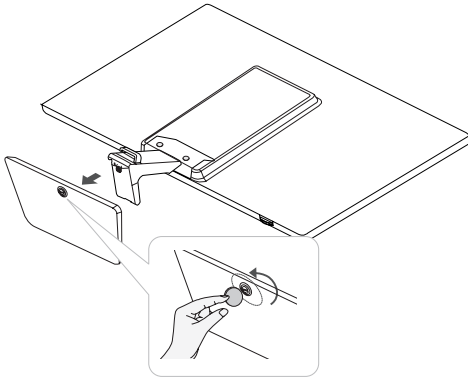


#### CAUTION

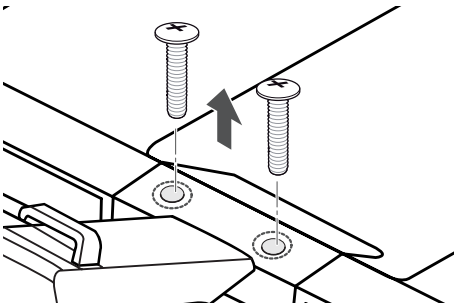
Tighten the screws firmly to prevent the monitor from tilting forward. Do not over tighten.

## Detaching the Stand

- 1 Place the monitor with the screen side down on a flat and cushioned surface.
- 2 Turn the screw to the left, and then pull out the **Stand Base** from the **Stand Body**.

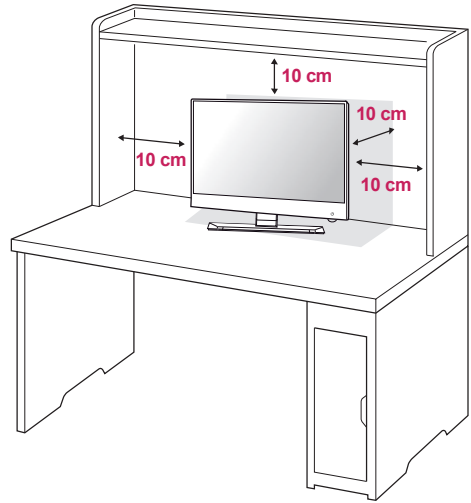


- 3 Remove 2 screws and pull out the **Stand Body** from the monitor.

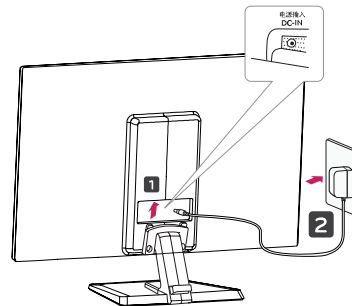


## Mounting on a table

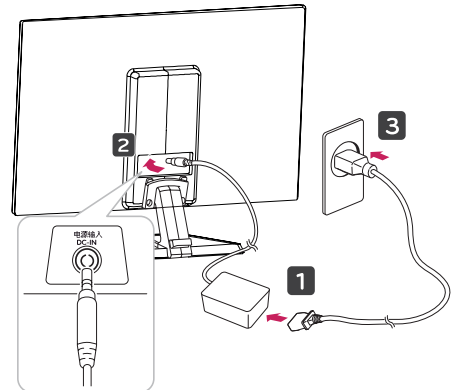
- 1 Lift and tilt the Monitor set into its upright position on a table. Leave a 10 cm (minimum) space from the wall for proper ventilation.




- 2 Connect the AC-DC Adapter and Power Cord to a wall outlet.



or

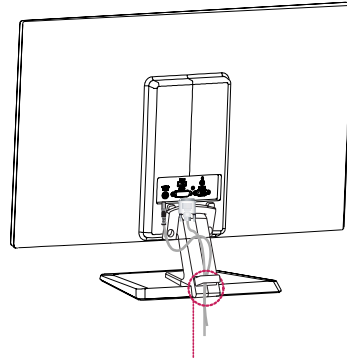


- 3 Press  (Power) button on the bottom switch panel to turn the power on.

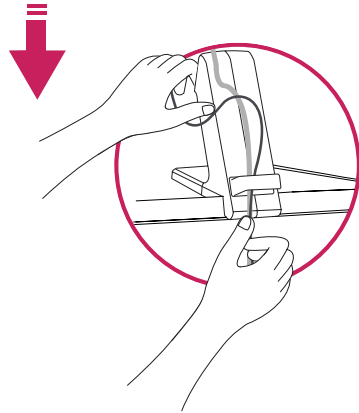
**CAUTION**

Unplug the power cord before moving the Monitor to another location. Otherwise electric shock may occur.

## Using the cable holder

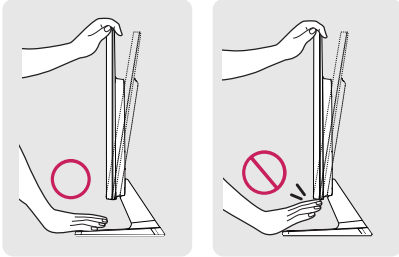


Cable holder

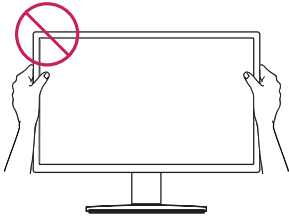


**! WARNING**

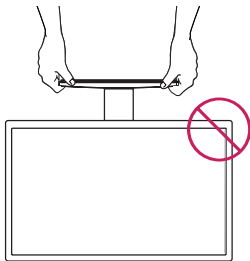
When you adjust the angle, do not hold the bottom of the Monitor set frame as shown on the following illustration, as may injure your fingers.



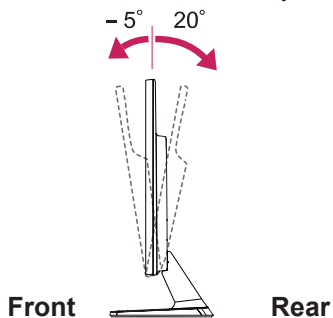
Do not touch or press the screen when adjusting the angle of the monitor.



Do not hold this set like below picture. Monitor screen can detach from stand base and injure your body.

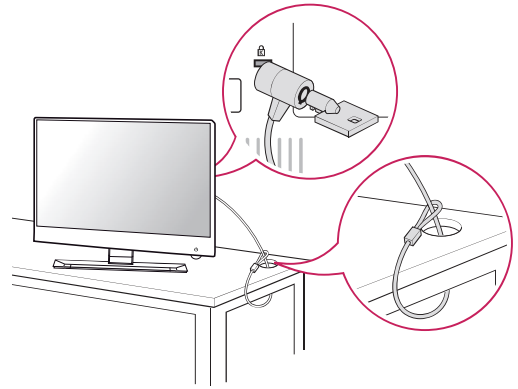
**! NOTE**

Tilt from +20 to -5 degrees up or down to adjust the angle of the Monitor set to suit your view.

**Using the Kensington security system**

The Kensington security system connector is located at the back of the Monitor set. For more information of installation and using, refer to the manual supplied with the Kensington security system or visit <http://www.kensington.com>.

Connect the Kensington security system cable between the Monitor set and a table.

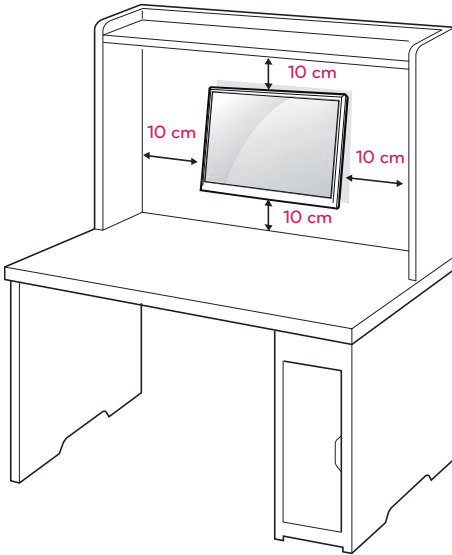
**! NOTE**

The Kensington security system is optional. You can obtain it from most electronics stores.



## Mounting on a wall

For proper ventilation, allow a clearance of 10 cm on each side and from the wall. Detailed instructions are available from your dealer, see the optional Tilt Wall Mounting Bracket Installation and Setup Guide.



If you intend to mount the Monitor set to a wall, attach Wall mounting interface (optional parts) to the back of the set.

When you install the Monitor set using a wall mounting interface (optional parts), attach it carefully so it will not drop.

- 1 Please, Use the screw and wall mount interface in accordance with VESA Standards.
- 2 If you use screw longer than standard, the monitor might be damaged internally.
- 3 If you use improper screw, the product might be damaged and drop from mounted position. In this case, LG Electronics is not responsible for it.
- 4 VESA compatible.
- 5 Please use VESA standard as below.
  - 784.8 mm (30.9 inch) and under
    - \* Wall Mount Pad Thickness : 2.6 mm
    - \* Screw :  $\Phi$  4.0 mm x Pitch 0.7 mm x Length 10 mm
  - 787.4 mm (31.0 inch) and above
    - \* Please use VESA standard wall mount pad and screws.

VESA (A x B)	75 x 75
Standard screw	M4
Number of screws	4



### CAUTION

- Disconnect the power cord first, and then move or install the Monitor set. Otherwise electric shock may occur.
- If you install the Monitor set on a ceiling or slanted wall, it may fall and result in severe injury.
- Use only an authorized LG wall mount and contact the local dealer or qualified personnel.
- Do not over tighten the screws as this may cause damage to the Monitor set and void your warranty.
- Use only screws and wall mounts that meet the VESA standard. Any damages or injuries by misuse or using an improper accessory are not covered by the warranty.



### NOTE

- Use the screws that are listed on the VESA standard screw specifications.
- The wall mount kit will include an installation manual and necessary parts.
- The wall mount bracket is optional. You can obtain additional accessories from your local dealer.
- The length of screws may differ depending on the wall mount. Be sure to use the proper length.
- For more information, refer to the instructions supplied with the wall mount.

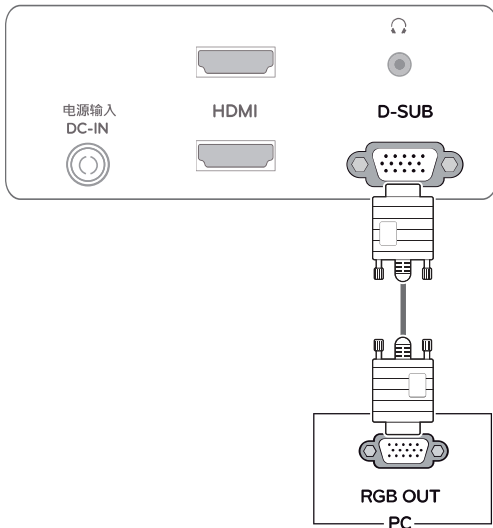
# USING THE MONITOR SET

## Connecting to a PC

- Your Monitor set supports Plug & Play\*.  
\*Plug & Play: A PC recognizes a connected device that users connect to a PC and turn on, without device configuration or user intervention.

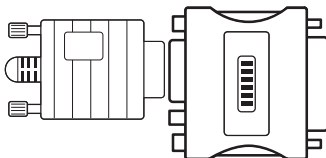
### D-SUB connection

Transmits analog video from your PC to the Monitor set. Connect the PC and the Monitor set with the supplied D-sub 15 pin signal cable as shown in the following illustrations.



**NOTE**

- When using a D-Sub signal input cable connector for Macintosh

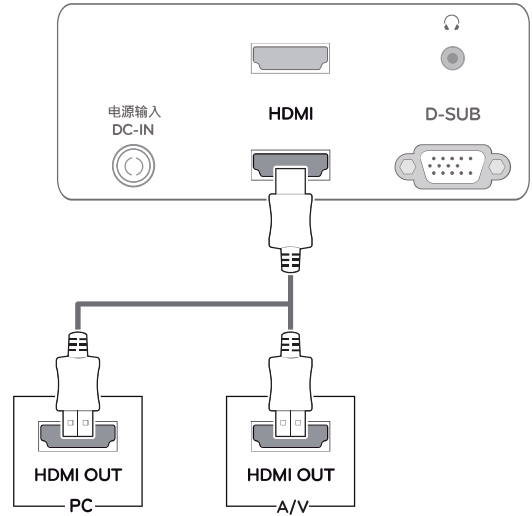


- Mac adapter**

For Apple Macintosh use, a separate plug adapter is needed to change the 15 pin high density (3 row) D-SUB VGA connector on the supplied cable to a 15 pin 2 row connector.

### HDMI connection

Transmits the digital video and audio signals from your PC or A/V to the Monitor set. Connect the PC or A/V and the Monitor set with the HDMI cable as shown in the following illustrations.

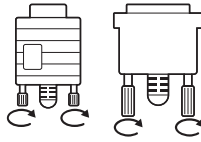


**NOTE**

- If you use HDMI PC, it can cause compatibility problem.

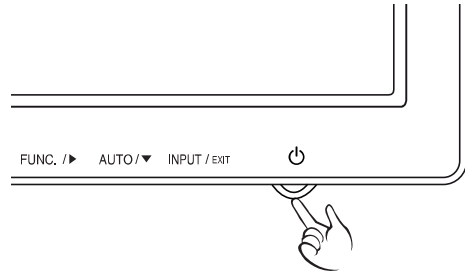
**CAUTION**

- Connect the signal input cable and tighten it by turning the screws clockwise.
- Do not press the screen with your finger for a long time as this may result in temporary distortion on the screen.
- Avoid displaying a fixed image on the screen for a long period of time to prevent image burn. Use a screensaver if possible.



**Self Image Setting Function**

Press the power button on the bottom panel to turn the power on. When monitor power is turned on, the **"Self Image Setting"** Function is executed automatically. (Only supported in Analog Mode)



**NOTE**

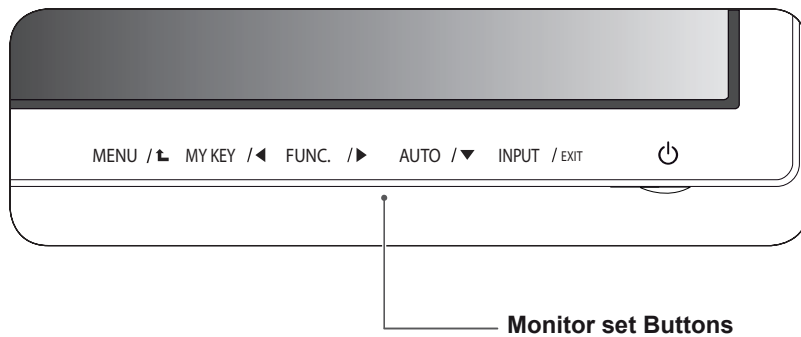
- When you want to use two PC in our Monitor, please connect the signal cable(D-SUB/ DVI-D/HDMI) respectively in Monitor set.
- If you turn the Monitor set on while it is cold, the screen may flicker. This is normal.
- Some red, green, or blue spots may appear on the screen. This is normal.

**NOTE**

- **"Self Image Setting" Function.**  
This function provides the user with optimal display settings. When the user connects the monitor for the first time, this function automatically adjusts the display to optimal settings for individual input signals. (Only supported in Analog Mode)
- **'AUTO' Function.**  
When you encounter problems such as blurry screen, blurred letters, screen flicker or tilted screen while using the device or after changing screen resolution, press the AUTO function button to improve resolution. (Only supported in Analog Mode)

# CUSTOMIZING SETTINGS

- 1 Press the desired button on the bottom of the Monitor set.
- 2 Change the value of the menu item by pressing the buttons on the bottom of the Monitor set.  
To return to the upper menu or set other menu items, use the up arrow (⬆) button.
- 3 Select **EXIT** to leave the OSD menu.

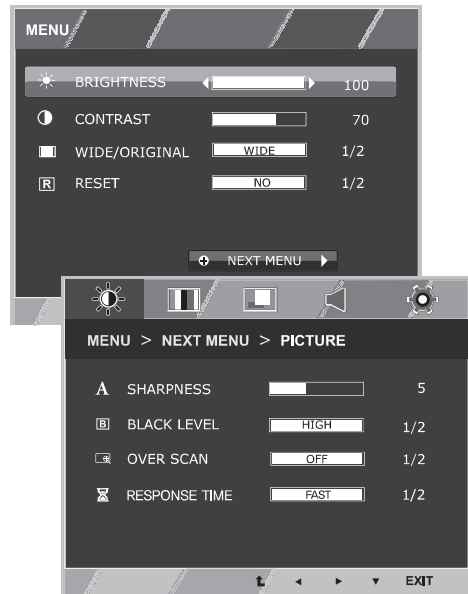


Button	Description
MENU / ⬆	Accesses the main menus.(See p.13)
	<b>OSD LOCKED/ UNLOCKED</b> This function allows you to lock the current control settings, so that they cannot be inadvertently changed. Press and hold the MENU button for several seconds. The message "OSD LOCKED" should appear. You can unlock the OSD controls at any time by pushing the MENU button for several seconds. The message "OSD UNLOCKED" should appear.
MY KEY/⬅	Use this button to enter MY KEY menu.For more information.(See p.18)
FUNC./➡	Use this button to enter PICTURE MODE, SUPER ENERGY SAVING, DUAL DISPLAY, DUAL WEB,MY KEY SETTING menus.(See p.18)
AUTO / ▼	When adjusting your display settings, always press the AUTO button on the MONITOR SETUP OSD. (Only supported in Analog Mode)
	<b>The best display mode</b> 1920 x 1080
INPUT / EXIT	You can choose the input signal. <ul style="list-style-type: none"> <li>• When two input signals are connected, you can select the input signal (D-SUB/DVI/ HDMI) you want.</li> <li>• When only one signal is connected, it is automatically detected. The default setting is D-SUB.</li> </ul>
	<b>EXIT</b>
	Exit the OSD(On Screen Display).
⏻ (Power Button)	Turns the power on or off.
	<b>Power Indicator</b> The power indicator stays red if the display is running properly (On Mode). If the display is in Sleep Mode, the power indicator blinks red.

# Customizing Settings

## Menu Settings

- 1 Press **MENU** button on the bottom of the Monitor set to display the **MENU** OSD.
- 2 Set the options by pressing the ◀ or ▶ or ▼ buttons.
- 3 Select the "**NEXT MENU**" button to enter the more option settings.
- 4 Select **EXIT** to leave the OSD menu.  
To return to the upper menu or set other menu items, use the up arrow (↑) button.



Each option is explained below.

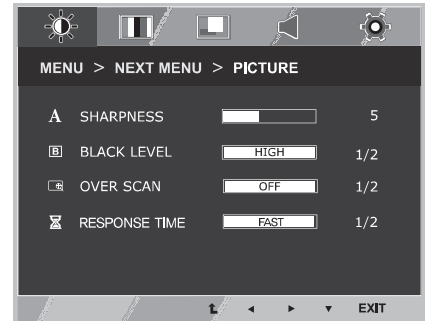
MENU	Analog	Digital	HDMI	Description
<b>BRIGHTNESS</b>	•	•	•	To adjust the brightness, contrast of the screen
<b>CONTRAST</b>	•	•	•	
<b>WIDE/ORIGINAL</b>	•	•	•	<b>WIDE</b>
				Switch to full screen mode according to input image signal.
<b>RESET</b>	•	•	•	<b>ORIGINAL</b>
				Change the input image signal ratio to original. * This function works only if input resolution is lower than Monitor set ratio (16:9).
<b>RESET</b>	•	•	•	Restore all factory default settings. Press the ◀ , ▶ buttons to reset immediately.

MENU > NEXT MENU	Analog	Digital	HDMI	Description
<b>PICTURE</b>	•	•	•	<b>SHARPNESS</b>
				To adjust the clearness of the screen .
				<b>BLACK LEVEL</b>
				To set offset level
<b>COLOR</b>	•	•	•	<b>OVER SCAN</b>
				To improve the clarity and stability of the screen
				<b>RESPONSE TIME</b>
				To customize the color of the screen
<b>DISPLAY</b>	•	•	•	<b>GAMMA</b>
				<b>COLOR TEMP</b>
				<b>SIX COLOR</b>
				<b>COLOR RESET</b>
<b>VOLUME</b>	•	•	•	<b>HORIZONTAL</b>
				To adjust the position of the screen
				<b>VERTICAL</b>
				<b>CLOCK</b>
<b>OTHERS</b>	•	•	•	<b>PHASE</b>
				To improve the clarity and stability of the screen
				<b>LANGUAGE</b>
<b>OTHERS</b>	•	•	•	<b>POWER INDICATOR</b>
				To customize the screen status for a user's operating environment
<b>OTHERS</b>	•	•	•	<b>WHITE BALANCE</b>

- **Analog:** D-SUB(Analog signal) input.
- **Digital:** DVI-D(Digital signal) input.
- **HDMI:** HDMI(Digital signal) input.

## PICTURE

- 1 Press **MENU** button on the bottom of the Monitor set to display the **MENU OSD**.
- 2 Select the "**NEXT MENU**" button to enter the more option settings.
- 3 Enter to **PICTURE** by pressing the ▼ button.
- 4 Set the options by pressing the ◀ or ▶ or ▼ buttons.
- 5 Select **EXIT** to leave the OSD menu.  
To return to the upper menu or set other menu items, use the up arrow (⬆) button.

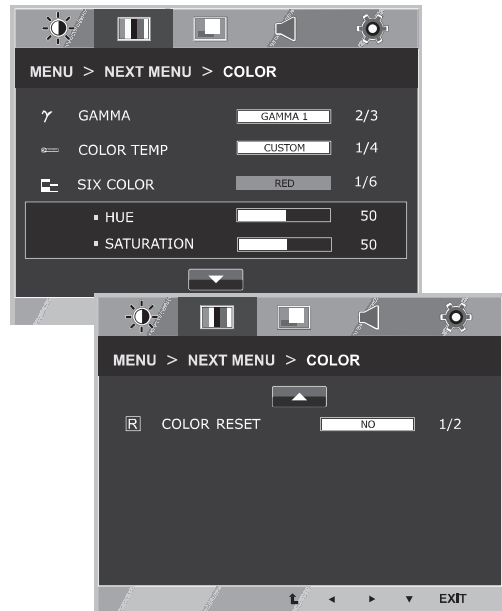


Each option is explained below.

MENU > NEXT MENU > PICTURE	Description
<b>SHARPNESS</b>	To adjust the clearness of the screen.
<b>BLACK LEVEL</b>	You can set the offset level. If you select 'HIGH', the screen will be bright and if you select 'LOW', the screen will be dark.(only for HDMI input) * Offset?As the criteria for video signal, it is the darkest screen the monitor can show.
<b>OVER SCAN</b>	To select the range of output image for DTV timing in HDMI input.(only for HDMI input)Recommend overscan function to turn on when connect AV equipment.
<b>RESPONSE TIME</b>	If you set FAST, you enable the Response Time Control function. If you set NORMAL, you disenable the Response Time Control function.

## COLOR

- 1 Press **MENU** button on the bottom of the Monitor set to display the **MENU OSD**.
- 2 Select the "**NEXT MENU**" button to enter the more option settings.
- 3 Select **COLOR** by pressing the ► button.
- 4 Enter to **COLOR** by pressing the ▼ button.
- 5 Set the options by pressing the ◀ or ▶ or ▼ buttons.
- 6 Select **EXIT** to leave the OSD menu.  
To return to the upper menu or set other menu items, use the up arrow (↑) button.

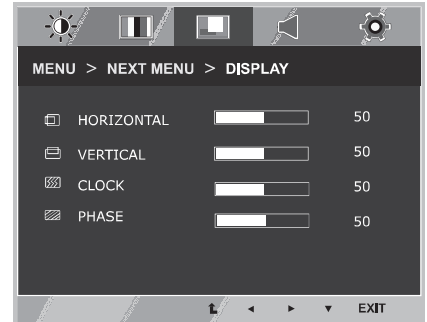


Each option is explained below.

MENU > NEXT MENU > COLOR	Description				
<b>GAMMA</b>	Set your own gamma value. : GAMMA 0, GAMMA 1, GAMMA 2 on the monitor, high gamma values display whitish images and low gamma values display blackish images.				
<b>COLOR TEMP</b>	<p><b>CUSTOM</b></p> <ul style="list-style-type: none"> <li>• <b>RED</b>:Set your own red color levels.</li> <li>• <b>GREEN</b>: Set your own green color levels.</li> <li>• <b>BLUE</b>:Set your own blue color levels.</li> </ul> <p>Select the screen color.  <b>WARM</b>: Set the screen to warm color temperature (more red).  <b>MEDIUM</b>: Set the screen to medium color temperature.  <b>COOL</b>: Set the screen to cool color temperature (more blue).</p>				
<b>SIX COLOR</b>	<p>Sets and stores the hue and saturation for six colors(RED/ GREEN/BLUE/ CYAN/MAGENTA/YELLOW) to satisfy the color requirements of a user.</p> <table border="1" style="width: 100%;"> <tr> <td><b>HUE</b></td> <td>Adjusts the screen hue.</td> </tr> <tr> <td><b>SATURATION</b></td> <td>Adjusts the color sharpness on the screen. Lower values make the color sharpness weaker and colors lighter while higher values make the color sharpness stronger and colors dark.</td> </tr> </table>	<b>HUE</b>	Adjusts the screen hue.	<b>SATURATION</b>	Adjusts the color sharpness on the screen. Lower values make the color sharpness weaker and colors lighter while higher values make the color sharpness stronger and colors dark.
<b>HUE</b>	Adjusts the screen hue.				
<b>SATURATION</b>	Adjusts the color sharpness on the screen. Lower values make the color sharpness weaker and colors lighter while higher values make the color sharpness stronger and colors dark.				
<b>COLOR RESET</b>	Resets the color settings to the factory default settings for the current input device.				

## DISPLAY

- 1 Press **MENU** button on the bottom of the Monitor set to display the **MENU OSD**.
- 2 Select the "**NEXT MENU**" button to enter the more option settings.
- 3 Select **DISPLAY** by pressing the ► button.
- 4 Enter to **DISPLAY** by pressing the ▼ button.
- 5 Set the options by pressing the ◀ or ▶ or ▼ buttons.
- 6 Select **EXIT** to leave the OSD menu.  
To return to the upper menu or set other menu items, use the up arrow (⬆) button.

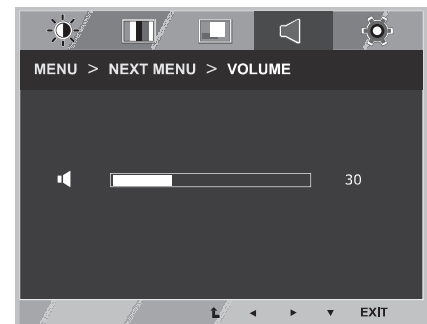


Each option is explained below.

MENU > NEXT MENU > DISPLAY	Description
<b>HORIZONTAL</b>	To move image left and right.
<b>VERTICAL</b>	To move image up and down.
<b>CLOCK</b>	To minimize any vertical bars or stripes visible on the screen background. The horizontal screen size will also change.
<b>PHASE</b>	To adjust the focus of the display. This item allows you to remove any horizontal noise and clear or sharpen the image of characters.

## VOLUME

- 1 Press **MENU** button on the bottom of the Monitor set to display the **MENU OSD**.
- 2 Select the "**NEXT MENU**" button to enter the more option settings.
- 3 Select **VOLUME** by pressing the ► button.
- 4 Enter to **VOLUME** by pressing the ▼ button.
- 5 Set the options by pressing the ◀ or ▶ buttons.
- 6 Select **EXIT** to leave the OSD menu.  
To return to the upper menu or set other menu items, use the up arrow (⬆) button.



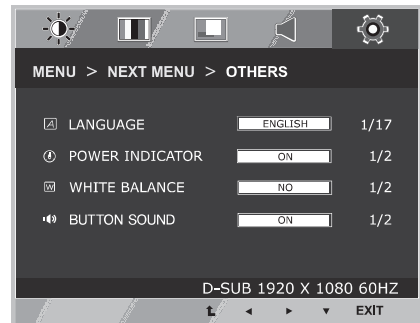
Each option is explained below.

MENU > NEXT MENU > VOLUME	Description
<b>VOLUME</b>	To adjust the volume of headphone/earphone. (Only for HDMI input)



## OTHERS

- 1 Press **MENU** button on the bottom of the Monitor set to display the **MENU** OSD.
- 2 Select the "**NEXT MENU**" button to enter the more option settings.
- 3 Select **OTHERS** by pressing the ► button.
- 4 Enter to **OTHERS** by pressing the ▼ button.
- 5 Set the options by pressing the ◀ or ▶ or ▼ buttons.
- 6 Select **EXIT** to leave the OSD menu.  
To return to the upper menu or set other menu items, use the up arrow (⬆) button.

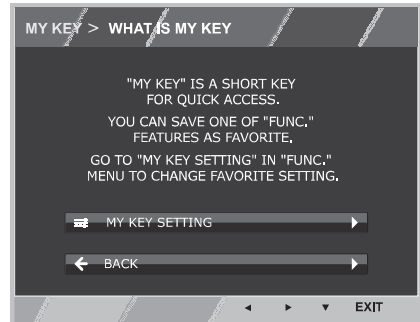


Each option is explained below.

MENU > NEXT MENU > OTHERS	Description
<b>LANGUAGE</b>	To choose the language in which the control names are displayed.
<b>POWER INDICATOR</b>	Use this function to set the power indicator on the bottom side of the monitor to ON or OFF.If you set OFF, it will go off. If you set ON at any time, the power indicator will automatically be turned on.
<b>WHITE BALANCE</b>	If the output of the video card is different the required specifications,the color level may deteriorate due to video signal distortion. Using this function, the signal level is adjusted to fit into the standard output level of the video card in order to provide the optimal image.Activate this function when white and black colors are present in the screen.
<b>BUTTON SOUND</b>	To select or turn off the Buzzer sound. The Buzzer sound operates in below cases

## MY KEY Setting

- 1 Press **MY KEY** button on the bottom of the Monitor set to display the **MY KEY** OSD.
- 2 Set the options by pressing the ◀ or ▶ or ▼ buttons.
- 3 Select **EXIT** to leave the OSD menu.

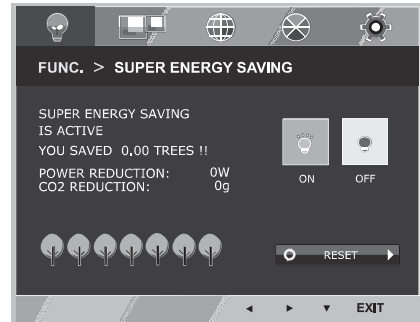


Each option is explained below.

MY KEY	Description
MY KEY SETTING	MY KEY is short key. You can select one of FUNC. (PICTURE MODE, SUPER ENERGY SAVING, DUAL DISPLAY, DUAL WEB) as your favorite feature.

## SUPER ENERGY SAVING

- 1 Press **FUNC.** button on the bottom of the Monitor set to display the **FUNC.** OSD.
- 2 Select **SUPER ENERGY SAVING** by pressing the **▶** button.
- 3 Enter to **SUPER ENERGY SAVING** by pressing the **▼** button.
- 4 Set the options by pressing the **◀** or **▶** or **▼** buttons.
- 5 Select **EXIT** to leave the OSD menu. To return to the upper menu or set other menu items, use the up arrow (**⬆**) button.



Each option is explained below.

SUPER ENERGY SAVING	Description
<b>ON</b>	Enables SUPER ENERGY SAVING you can save energy with this energy- efficient function
<b>OFF</b>	Disables SUPER ENERGY SAVING.
<b>RESET</b>	Resets the values of total energy consumption reduction and CO2 emission reduction estimates.

### ! NOTE

- **TOTAL POWER REDUCTION:** How much power is saved while using the monitor.
- **TOTAL CO2 REDUCTION:** Change the TOTAL POWER REDUCTION to CO2.
- **SAVING DATA(W/h)**

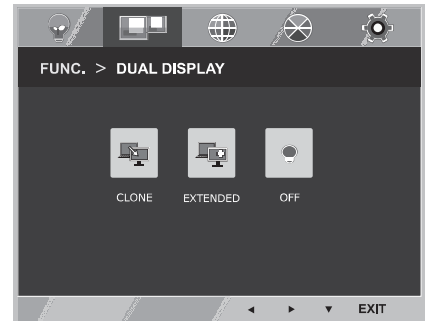
	584 mm (23 inch)	686 mm (27 inch)
SUPER SAVING	7 W/h	8 W/h

- Saving Data depends on the Panel. So, those values should be different from each panel and panel vendor.
- LG calculated these values by using “**broadcast video signal**” (including broadcast video: IEC 62087)
- SUPER SAVING refers to how much power can be saved using the SUPER ENERGY SAVING function.

\* Before using below functions, please install DUAL PACKAGE programme.

## DUAL DISPLAY

- 1 Press **FUNC.** button on the bottom of the Monitor set to display the **FUNC.** OSD.
- 2 Select **DUAL DISPLAY** by pressing the ► button.
- 3 Enter to **DUAL DISPLAY** by pressing the ▼ button.
- 4 Set the options by pressing the ◀ or ▶ buttons.
- 5 Select **EXIT** to leave the OSD menu. To return to the upper menu or set other menu items, use the up arrow (↑) button.



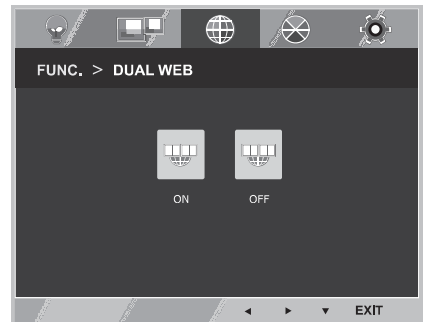
Each option is explained below.

DUAL DISPLAY	Description
<b>CLONE</b>	By selecting CLONE, user can use secondary monitor as done mode of primary monitor.
<b>EXTENDED</b>	By selecting EXTENDED, user can use secondary monitor as extended mode of primary monitor.
<b>OFF</b>	If select OFF, DUAL DISPLAY is off.

\* Before using below functions, please install DUAL PACKAGE programme.

## DUAL WEB

- 1 Press **FUNC.** button on the bottom of the Monitor set to display the **FUNC.** OSD.
- 2 Select **DUAL WEB** by pressing the ► button.
- 3 Enter to **DUAL WEB** by pressing the ▼ button.
- 4 Set the options by pressing the ◀ or ▶ buttons.
- 5 Select **EXIT** to leave the OSD menu. To return to the upper menu or set other menu items, use the up arrow (↑) button.



Each option is explained below.

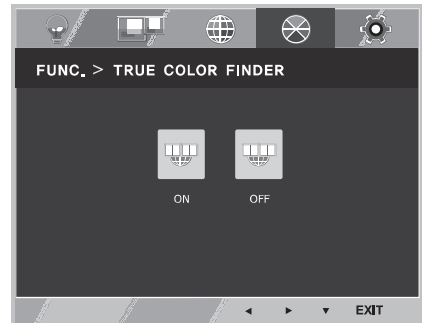
DUAL WEB	Description
<b>ON</b>	Help user to browse web efficiently by dividing in half. Help to arrange and move window on screen. Help user to control divided windows ratio.
<b>OFF</b>	If select OFF, DUAL WEB is off.

### NOTE

- When monitor goes to power saving mode with pc saving option -> Pressing any button -> OSD appear and user should press dual button -> User can bring back to normal mode.

## True Color Finder

- 1 Press **FUNC.** button on the bottom of the Monitor set to display the **FUNC.** OSD.
- 2 Select **TRUE COLOR FINDER** by pressing the ► button.
- 3 Enter to **TRUE COLOR FINDER** by pressing the ▼ button.
- 4 Set the options by pressing the ◀ or ▶ buttons.
- 5 Select **EXIT** to leave the OSD menu. To return to the upper menu or set other menu items, use the up arrow (⬆) button.



Each option is explained below.

TRUE COLOR FINDER	Description
<b>ON</b>	<p>Please buy a supported calibrator to use the True Color Finder function. Then, install the True Color Finder software provided with the product to calibrate the monitor.</p> <p>-Once calibrated, the monitor need to be turned off and turned back on to apply the calibrated value.</p> <p>In general, it is recommended to perform calibration once a month.</p> <p>-When the input port is changed, it is desirable to calibrate the monitor again.</p> <p>The supported calibrators are as follows: i1-Display3, ColorMunki Photo and ColorMunki Design from X-rite, and Spyder3 from DataColor. (More calibrators are to be supported in the near future.)</p>
<b>OFF</b>	If it is set to OFF, the monitor gets back to the picture quality set before the calibration.

## MY KEY SETTING

- 1 Press **FUNC.** button on the bottom of the Monitor set to display the **FUNC.** OSD.
- 2 Select **MY KEY SETTING** by pressing the ► button.
- 3 Enter to **MY KEY SETTING** by pressing the ▼ button.
- 4 Set the options by pressing the ◀ or ▶ buttons.
- 5 Select **EXIT** to leave the OSD menu. To return to the upper menu or set other menu items, use the up arrow (⬆) button.



Each option is explained below.

MY KEY SETTING	Description
<b>PICTURE MODE</b>	PICTURE MODE adjust the Monitor set for the best picture appearance.
<b>SUPER ENERGY SAVING</b>	Enables SUPER ENERGY SAVING you can save energy with this energy-efficient function.
<b>DUAL DISPLAY</b>	User can use CLONE or EXTENDED in another monitor.
<b>DUAL WEB</b>	Help user to browse web efficiently by dividing in half and some other convenience in browsing dual pages.

# TROUBLESHOOTING

Check the following before calling for service.

No image appears	
Is the power cord of the display connected?	<ul style="list-style-type: none"> <li>• Check and see if the power cord is connected properly to the power outlet.</li> </ul>
Is the power indicator light on?	<ul style="list-style-type: none"> <li>• Press the Power button.</li> </ul>
Is the power on and the power indicator Red?	<ul style="list-style-type: none"> <li>• Adjust the brightness and the contrast.</li> </ul>
Is the power indicator flickering?	<ul style="list-style-type: none"> <li>• If the display is in power saving mode, try moving the mouse or pressing any key on the keyboard to bring up the screen.</li> <li>• Try to turn on the PC.</li> </ul>
Do you see an "OUT OF RANGE" message on the screen?	<ul style="list-style-type: none"> <li>• This message appears when the signal from the PC (video card) is out of horizontal or vertical frequency range of the display. See the 'Specifications' section of this manual and configure your display again.</li> </ul>
Do you see a "NO SIGNAL" message on the screen?	<ul style="list-style-type: none"> <li>• When the monitor is on "No-Signal" in 5 minutes, the monitor goes to DPM mode.</li> </ul>

Do you see a "OSD LOCKED" message on the screen?	
Do you see "OSD LOCKED" when you push MENU button?	<ul style="list-style-type: none"> <li>• You can secure the current control settings, so that they cannot be inadvertently changed. You can unlock the OSD controls at any time by pushing the MENU button for several seconds: the message "OSD UNLOCKED" will appear.</li> </ul>

Display image is incorrect	
Display Position is incorrect.	<ul style="list-style-type: none"> <li>• Press the <b>AUTO</b> button to automatically adjust your display image to the ideal setting.</li> </ul>
On the screen background, vertical bars or stripes are visible.	<ul style="list-style-type: none"> <li>• Press the <b>AUTO</b> button to automatically adjust your display image to the ideal setting.</li> </ul>
Any horizontal noise appearing in any image or characters are not clearly portrayed.	<ul style="list-style-type: none"> <li>• Press the <b>AUTO</b> button to automatically adjust your display image to the ideal setting.</li> <li>• Check <b>Control Panel ► Display ► Settings</b> and adjust the display to the recommended resolution or adjust the display image to the ideal setting. Set the color setting higher than 24 bits (true color).</li> </ul>

**CAUTION**

- Check **Control Panel ► Display ► Settings** and see if the frequency or the resolution were changed. If yes, readjust the video card to the recommend resolution.
- If the recommended resolution (optimal resolution) is not selected, letters may be blurred and the screen may be dimmed, truncated or biased. Make sure to select the recommend resolution.
- The setting method can differ by computer and O/S (Operation System), and resolution mentioned above may not be supported by the video card performance. In this case, please ask to the computer or the video card manufacturer.

**Display image is incorrect**

The screen color is mono or abnormal.	<ul style="list-style-type: none"> <li>• Check if the signal cable is properly connected and use a screwdriver to fasten if necessary.</li> <li>• Make sure the video card is properly inserted in the slot.</li> <li>• Set the color setting higher than 24 bits (true color) at <b>Control Panel ► Settings</b>.</li> </ul>
The screen blinks.	<ul style="list-style-type: none"> <li>• Check if the screen is set to interlace mode and if yes, change it to the recommend resolution.</li> </ul>

**Do you see an "Unrecognized monitor, Plug&Play (VESA DDC) monitor found" message?**

Have you installed the display driver?	<ul style="list-style-type: none"> <li>• Be sure to install the display driver from the display driver CD (or diskette) that comes with your display. Or, you can also download the driver from our web site: <a href="http://www.lg.com">http://www.lg.com</a>.</li> <li>• Make sure to check if the video card supports Plug&amp;Play function.</li> </ul>
--	--

**The screen is flickering.**

Did you select the recommended resolution?	<ul style="list-style-type: none"> <li>• If the selected resolution is HDMI <b>1080i</b> 60/50 Hz, the screen may be flickering. Change the resolution to the recommended resolution <b>1080P</b>.</li> </ul>
--	---

# SPECIFICATIONS

## IPS237L

<b>Display</b>	<b>Screen Type</b>	58.42 cm (23 inch) Flat Panel Active matrix-TFT LCD Anti-Glare coating Visible diagonal size: 58.42 cm
	<b>Pixel Pitch</b>	0.2652 mm x 0.2652 mm (Pixel Pitch)
<b>Sync Input</b>	<b>Horizontal Frequency</b>	30 kHz to 83 kHz (Automatic)
	<b>Vertical Frequency</b>	56Hz to 75Hz (D-SUB, DVI-D) 56Hz to 61Hz (HDMI)
	<b>Input Form</b>	Separate Sync. HDMI
<b>Video Input</b>	<b>Signal Input</b>	15 pin D-SUB Connector / HDMI Connector
	<b>Input Form</b>	RGB Analog (0.7 Vp-p/ 75 ohm), Digital
<b>Resolution</b>	<b>Max</b>	D-SUB(Analog) : 1920 x 1080 @ 60 Hz HDMI (Digital) : 1920 x 1080 @ 60 Hz
	<b>Recommend</b>	VESA 1920 x 1080 @ 60 Hz
<b>Plug &amp; Play</b>	DDC 2B(Analog,HDMI)	
<b>Power Consumption</b>	On Mode : 25 W(Typ.) Sleep Mode ≤ 0.5 W Off Mode ≤ 0.5 W	
<b>Power Input</b>	19 V --- 1.6 A	
<b>AC-DC Adapter</b>	Type ADS-40SG-19-3 19032G, manufactured by SHENZHEN HONOR ELECTRONIC or Type ADS-40FSG-19 19032GPG-1, manufactured by SHENZHEN HONOR ELECTRONIC or Type ADS-40FSG-19 19032GPBR-1, manufactured by SHENZHEN HONOR ELECTRONIC or Type ADS-40FSG-19 19032GPI-1, manufactured by SHENZHEN HONOR ELECTRONIC or Type ADS-40FSG-19 19032GPCU-1, manufactured by SHENZHEN HONOR ELECTRONIC or Type LCAP21, manufactured by LIEN CHANG ELECTRONIC ENTERPRISE or Type LCAP26-A, manufactured by LIEN CHANG ELECTRONIC ENTERPRISE or Type LCAP26-E, manufactured by LIEN CHANG ELECTRONIC ENTERPRISE or Type LCAP26-I, manufactured by LIEN CHANG ELECTRONIC ENTERPRISE or Type LCAP26-B, manufactured by LIEN CHANG ELECTRONIC ENTERPRISE	
	<b>OUTPUT:</b> 19 V --- 1.7 A	
<b>Dimensions (Width x Height x Depth)</b>	<b>With Stand</b>	53.3 cm x 39.8 cm x 15.4 cm
	<b>Without Stand</b>	53.3 cm x 32.1 cm x 3.4 cm
<b>Weight</b>	3.57 kg	
<b>Tilt Range</b>	-5° to 20°	
<b>Environmental conditions</b>	<b>Operating Temperature</b>	10°C to 35 °C
	<b>Operating Humidity</b>	10 % to 80 %
	<b>Storage Temperature</b>	-20°C to 60 °C
	<b>Storage Humidity</b>	5 % to 90 % non-Condensing
<b>Stand Base</b>	Attached ( ), Detached (O)	
<b>Power cord</b>	Wall-outlet type	

Product specifications shown above may be changed without prior notice due to upgrade of product functions.



## IPS277L

<b>Display</b>	<b>Screen Type</b>	68.6 cm (27 inch) Flat Panel Active matrix-TFT LCD Anti-Glare coating Visible diagonal size: 68.6 cm
	<b>Pixel Pitch</b>	0.3114 mm x 0.3114 mm (Pixel Pitch)
<b>Sync Input</b>	<b>Horizontal Frequency</b>	30 kHz to 83 kHz (Automatic)
	<b>Vertical Frequency</b>	56Hz to 75Hz (D-SUB, DVI-D) 56Hz to 61Hz (HDMI)
	<b>Input Form</b>	Separate Sync. HDMI
<b>Video Input</b>	<b>Signal Input</b>	15 pin D-SUB Connector / HDMI Connector
	<b>Input Form</b>	RGB Analog (0.7 Vp-p/ 75 ohm), Digital
<b>Resolution</b>	<b>Max</b>	D-SUB(Analog) : 1920 x 1080 @ 60 Hz DVI / HDMI (Digital) : 1920 x 1080 @ 60 Hz
	<b>Recommend</b>	VESA 1920 x 1080 @ 60 Hz
<b>Plug &amp; Play</b>	DDC 2B(Analog,HDMI)	
<b>Power Consumption</b>	On Mode : 25 W(Typ.) Sleep Mode ≤ 0.5 W Off Mode ≤ 0.5 W	
<b>Power Input</b>	19 V --- 1.6 A	
<b>AC-DC Adapter</b>	Type ADS-40SG-19-3 19032G, manufactured by SHENZHEN HONOR ELECTRONIC or Type ADS-40FSG-19 19032GPG-1, manufactured by SHENZHEN HONOR ELECTRONIC or Type ADS-40FSG-19 19032GPBR-1, manufactured by SHENZHEN HONOR ELECTRONIC or Type ADS-40FSG-19 19032GPI-1, manufactured by SHENZHEN HONOR ELECTRONIC or Type ADS-40FSG-19 19032GPCU-1, manufactured by SHENZHEN HONOR ELECTRONIC or Type LCAP21A, manufactured by LIEN CHANG ELECTRONIC ENTERPRISE or Type LCAP26A-A, manufactured by LIEN CHANG ELECTRONIC ENTERPRISE or Type LCAP26A-E, manufactured by LIEN CHANG ELECTRONIC ENTERPRISE or Type LCAP26A-I, manufactured by LIEN CHANG ELECTRONIC ENTERPRISE or Type LCAP26A-B, manufactured by LIEN CHANG ELECTRONIC ENTERPRISE	
	<b>OUTPUT:</b> 19 V --- 1.7 A	
<b>Dimensions (Width x Height x Depth)</b>	<b>With Stand</b>	62.3 cm x 44.9 cm x 16.9 cm
	<b>Without Stand</b>	62.3 cm x 37.3 cm x 3.5 cm
<b>Weight</b>	5.25 kg	
<b>Tilt Range</b>	-5° to 20°	
<b>Environmental conditions</b>	<b>Operating Temperature</b>	10°C to 35 °C
	<b>Operating Humidity</b>	10 % to 80 %
	<b>Storage Temperature</b>	-20°C to 60 °C
	<b>Storage Humidity</b>	5 % to 90 % non-Condensing
<b>Stand Base</b>	Attached ( ), Detached (O)	
<b>Power cord</b>	Wall-outlet type	

Product specifications shown above may be changed without prior notice due to upgrade of product functions.

## Preset Modes (Resolution)

### IPS237L/IPS277L

Display Modes (Resolution)	Horizontal Frequency(kHz)	Vertical Frequency(Hz)	Polarity(H/V)	
720 x 400	31.468	70	-/+	
640 x 480	31.469	60	-/-	
640 x 480	37.500	75	-/-	
800 x 600	37.879	60	+/+	
800 x 600	46.875	75	+/+	
1024 x 768	48.363	60	-/-	
1024 x 768	60.023	75	+/+	
1152 x 864	67.500	75	+/+	
1280 x 1024	63.981	60	+/+	
1280 x 1024	79.976	75	+/+	
1680 x 1050	65.290	60	-/+	
1920 x 1080	67.500	60	+/+	Recommend Mode

## HDMI TIMING

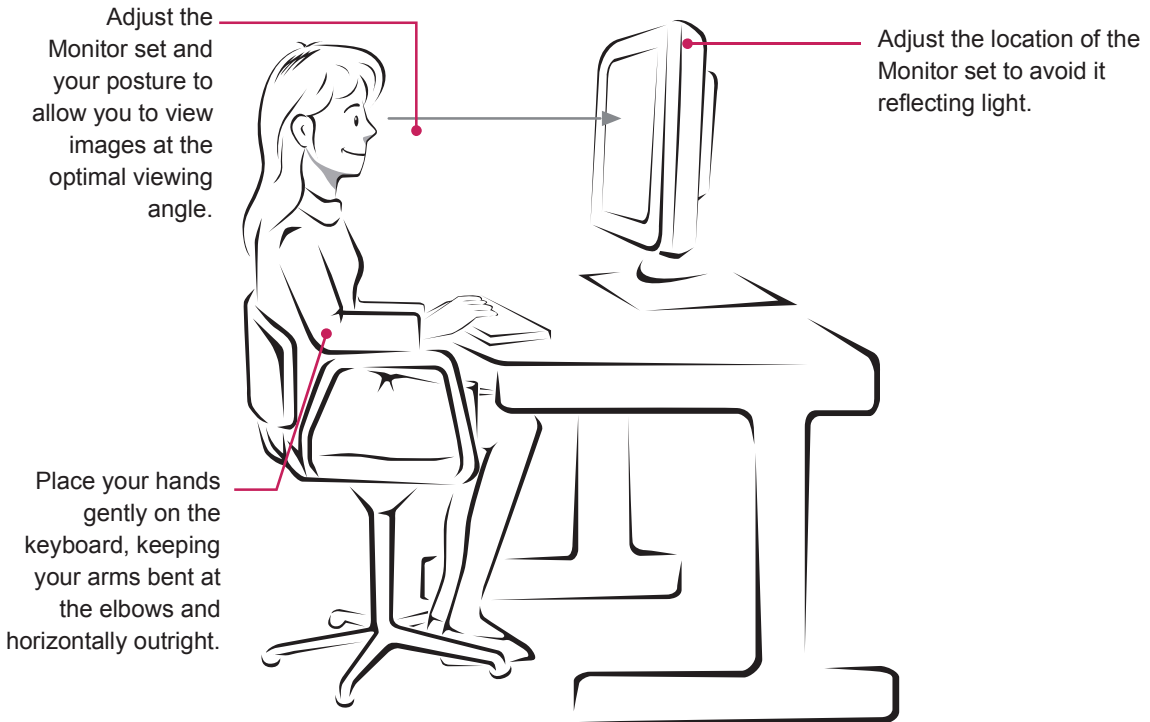
Display Modes (Resolution)	Horizontal Frequency(kHz)	Vertical Frequency(Hz)	
480P	31.50	60	
576P	31.25	50	
720P	37.50	50	
720P	45.00	60	
1080i	28.12	50	
1080i	33.75	60	
1080P	56.25	50	
1080P	67.50	60	Recommend Mode

## Indicator

Mode	LED Color
On Mode	Red
Sleep Mode	Blinking Red
Off Mode	Off

# PROPER POSTURE

## Proper posture for using the Monitor set.



# LICENSES

Supported licenses may differ by model. For more information of the licenses, visit [www.lg.com](http://www.lg.com).



HDMI, the HDMI logo and High-Definition Multimedia Interface are trademarks or registered trademarks of HDMI Licensing LLC.



Make sure to read the Safety Precautions before using the product.

Keep the Owner's Manual (CD) in an accessible place for future reference.

The model and serial number of the SET is located on the back and one side of the SET. Record it below should you ever need service.

MODEL \_\_\_\_\_

SERIAL \_\_\_\_\_

ENERGY STAR is a set of power-saving guidelines issued by the U.S. Environmental Protection Agency (EPA).



As an ENERGY STAR Partner LGE U. S. A., Inc. has determined that this product meets the ENERGY STAR guidelines for energy efficiency.