

## **Part 15.21 statement**

" Change or Modifications that are not expressly approved by the manufacturer could void the user's authority to operate the equipment. "

## **Part 15.105 statement**

This equipment has been tested and found to comply with the limits for a class B digital device, pursuant to Part 15 of the FCC Rules.

These limits are designed to provide reasonable protection against harmful interference in a residential installation.

This equipment generates uses and can radiate radio frequency energy and, if not installed and used in accordance with the instructions, may cause harmful interference to radio communications.

However, there is no guarantee that interference will not occur in a particular installation. if this equipment does cause harmful interference or television reception, which can be determined by turning the equipment off and on, the user is encouraged to try to correct the interference by one or more of the following measures:

- Reorient or relocate the receiving antenna.
- Increase the separation between the equipment and receiver.
- Connect the equipment into an outlet on a circuit different from that to which the receiver is connected
- Consult the dealer or an experienced radio/TV technician for help.

## LIMITED WARRANTY STATEMENT

### 1. WHAT THIS WARRANTY COVERS:

LG offers you a limited warranty that the enclosed subscriber unit and its enclosed accessories will be free from defects in material and workmanship, according to the following terms and conditions:

- (1) The limited warranty for the product extends for ONE (1) year beginning on the date of purchase of the product.
- (2) The limited warranty extends on to the original purchaser of the product and is not assignable or transferable to any subsequent purchaser/end user.
- (3) This warranty is good only to the original purchaser of the product during the warranty period as long as it is in the U.S., including Alaska, Hawaii, U.S. Territories and Canada.
- (4) The external housing and cosmetic parts shall not be covered under these limited warranty terms.
- (5) Upon request from LG, the consumer must provide information to reasonably prove the date of purchase.
- (6) The customer shall bear the cost of shipping the product to the Customer Service Department of LG. LG shall bear the cost of shipping the product back to the consumer after the completion of service under this limited warranty.

### 2. WHAT THIS WARRANTY DOES NOT COVER:

- (1) Defects or damages resulting from use of the product in other than its normal and customary manner.
- (2) Defects or damages from abnormal use, abnormal conditions, improper storage, exposure to moisture or dampness, unauthorized modifications, unauthorized connections, unauthorized repair, misuse, neglect, abuse, accident, alteration, improper installation, or other acts which are not the fault of LG, including damage caused by shipping blown fuses spills of food or liquid.
- (3) Breakage or damage to antennas unless caused directly by defects in material or workmanship.
- (4) That the Customer Service Department at LG was not notified by consumer of the alleged defect or malfunction of the product during the applicable limited warranty period.
- (5) Products which have had the serial number removed or made illegible.
- (6) The limited warranty is in lieu of all other warranties, express or implied either in fact or by operations law, statutory or otherwise, including, but limited to any implied warranty of marketability or fitness for a particular use.
- (7) Damage resulting from use of non-LG approved accessories.
- (8) All plastic surfaces and all other externally exposed parts that are scratched or damaged due to normal customer use.
- (9) Products operated outside published maximum ratings.  
3
- (10) Products used or obtained in a rental program.
- (11) Consumables (such as fuses).

### 3. STATE LAW RIGHTS:

No other express warranty is applicable to this product. THE DURATION OF ANY IMPLIED WARRANTIES, INCLUDING THE IMPLIED WARRANTY OF MARKETABILITY, IS LIMITED TO THE DURATION OF THE EXPRESS WARRANTY HEREIN. LG INFOCOMM INC. SHALL NOT BE LIABLE FOR THE LOSS OF THE USE OF THE PRODUCT, INCONVENIENCE, LOSS OR ANY OTHER DAMAGES, DIRECT OR CONSEQUENTIAL, ARISING OUT OF THE USE OF, OR INABILITY TO USE, THIS PRODUCT OR FOR ANY BREACH OF ANY EXPRESS OR IMPLIED WARRANTY, INCLUDING THE IMPLIED WARRANTY OF MARKETABILITY APPLICABLE TO THIS PRODUCT. Some states do not allow the exclusion of incidental or consequential damages or limitations on how long an implied warranty lasts; so these limitations or exclusions may not apply to you. This warranty gives you specific legal rights and you may also have other rights which vary from state to state.

### 4. HOW TO GET WARRANTY SERVICE:

To obtain warranty service, please call the following web address:

[www.lgeservice.com](http://www.lgeservice.com)

# For Your Safety

## Important Information

This user guide contains important information on the use and operation of this phone. Please read all the information carefully for optimal performance and to prevent any damage to or misuse of the phone. Any changes or modifications not expressly approved in this user guide could void your warranty for this equipment.

## Before You Start

### Safety Instructions

**WARNING!** To reduce the possibility of electric shock, do not expose your phone to high humidity areas, such as the bathroom, swimming pool, etc.

**Always store your phone away from heat.** Never store your phone in settings that may expose it to temperatures less than 32°F or greater than 104°F, such as outside during extreme weather conditions or in your car on a hot day. Exposure to excessive cold or heat will result in malfunction, damage and/or catastrophic failure.

**Be careful when using your phone near other electronic devices.** RF emissions from your mobile phone may affect nearby in adequately shielded electronic equipment. You should consult with manufacturers of any personal medical devices such as pacemakers and hearing aides to determine if they are susceptible to interference from your mobile phone.

Turn off your phone in a medical facility or at a gas station. Never place your phone in a microwave oven as this will cause the battery to explode.

**IMPORTANT!** Please read the TIA SAFETY INFORMATION on page 78 before using your phone.

### Safety Information

Read these simple guidelines. Breaking the rules may be dangerous or illegal. Further detailed information is given in this user guide.

- ▶ Never use an unapproved battery since this could damage the phone and/or battery and could cause the battery to explode.
- ▶ Never place your phone in a microwave oven as it will cause the battery to explode.
- ▶ Do not dispose of your battery by fire or with hazardous or flammable materials.
- ▶ Make sure that no sharp-edged items come into contact with the battery. There is a risk of this causing a fire.
- ▶ Store the battery in a place out of reach of children.
- ▶ Be careful that children do not swallow any parts such as rubber plugs (earphone, connection parts of the phone, etc.). This could cause asphyxiation or suffocation.

- ▶ Unplug the power cord and charger during lightning storms to avoid electric shock or fire.
- ▶ When riding in a car, do not leave your phone or set up the hands-free kit near to the air bag. If wireless equipment is improperly installed and the air bag is activated, you may be seriously injured.
- ▶ Do not use a hand-held phone while driving.
- ▶ Do not use the phone in areas where its use is prohibited. (For example: aircraft).
- ▶ Do not expose the battery charger or adapter to direct sunlight or use it in places with high humidity, such as a bathroom.
- ▶ Never store your phone in temperatures less than -4°F or greater than 122°F.
- ▶ Do not use harsh chemicals (such as alcohol, benzene, thinners, etc.) or detergents to clean your phone. There is a risk of this causing a fire.
- ▶ Do not drop, strike, or shake your phone severely. Such actions may harm the internal circuit boards of the phone.
- ▶ Do not use your phone in high explosive areas as the phone may generate sparks.
- ▶ Do not damage the power cord by bending, twisting, pulling, or heating. Do not use the plug if it is loose as it may cause a fire or electric shock.
- ▶ Do not place any heavy items on the power cord. Do not allow the power cord to be crimped as it may cause fire or electric shock.
- ▶ Do not handle the phone with wet hands while it is being charged. It may cause an electric shock or seriously damage your phone.
- ▶ Do not disassemble the phone.
- ▶ Do not place or answer calls while charging the phone as it may short-circuit the phone and/or cause electric shock or fire.
- ▶ Only use the batteries, antennas, and chargers provided by LG. The warranty will not be applied to products provided by other suppliers.
- ▶ Only authorized personnel should service the phone and its accessories. Faulty installation or service may result in accidents and consequently invalidate the warranty.
- ▶ Do not hold or let the antenna come in contact with your body during a call.
- ▶ An emergency call can be made only within a service area. For an emergency call, make sure that you are within a service area and that the phone is turned on.

### **FCC RF Exposure Information**

**WARNING!** Read this information before operating the phone. In August 1996, the Federal Communications (FCC) of the United States, with its action in Report and Order FCC 96-326, adopted an updated safety standard for human exposure to radio frequency (RF) electromagnetic energy emitted by FCC regulated transmitters. Those guidelines are consistent with the safety standard previously set by both U.S. and international standards bodies.

The design of this phone complies with the FCC guidelines and these international standards.

### **CAUTION**

Use only the supplied and approved antenna. Use of unauthorized antennas or modifications could impair call quality, damage the phone, void your warranty and/or result in violation of FCC regulations. Do not use the phone with a damaged antenna. If a damaged antenna comes into contact with skin, a minor burn may result. Contact your local dealer for a replacement antenna.

### **Body-worn Operation**

This device was tested for typical body-worn operations with the back of the phone kept 0.79 inches (2cm) between the user's body and the back of the phone. To comply with FCC RF exposure requirements, a minimum separation distance of 0.79 inches (2cm) must be maintained between the user's body and the back of the phone. Third-party belt-clips, holsters, and similar accessories containing metallic components should not be used. Body-worn accessories that cannot maintain 0.79 inches (2cm) separation distance between the user's body and the back of the phone, and have not been tested for typical body-worn operations may not comply with FCC RF exposure limits and should be avoided.

### **Vehicle Mounted External Antenna (optional, if available)**

A minimum separation distance of 8 inches (20cm) must be maintained between the user/bystander and the vehicle mounted external antenna to satisfy FCC RF exposure requirements. For more information about RF exposure, visit the FCC website at [www.fcc.gov](http://www.fcc.gov)

### **FCC Part 15 Class B Compliance**

This device and its accessories comply with part 15 of FCC rules. Operation is subject to the following two conditions: (1) This device and its accessories may not cause harmful interference, and (2) this device and its accessories must accept any interference received, including interference that may cause undesired operation.

### **Cautions for Battery**

- ▶ Do not disassemble.
- ▶ Do not short-circuit.
- ▶ Do not expose to high temperature: 60°C (140°F).]
- ▶ Do not incinerate.

### **Battery Disposal**

- ▶ Please dispose of your battery properly or bring to your local wireless carrier for recycling.
- ▶ Do not dispose in fire or with hazardous or flammable materials.

### **Adapter (Charger) Cautions**

- ▶ Using the wrong battery charger could damage your phone and void your warranty.
- ▶ The adapter or battery charger is intended for indoor use only.

Do not expose the adapter or battery charger to direct sunlight or use it in places with high humidity, such as the bathroom.

# Getting to know your phone

**Main screen**

**Clear key**

Deletes a character with each press.

**Call key**

Dials a number or answers an incoming call.

**End/Power key**

Ends or rejects a call.  
Turns the phone on/off.  
Press once to return to the standby screen.

**Charger, USB Cable,  
Handsfree connector**

**MicroSD card**

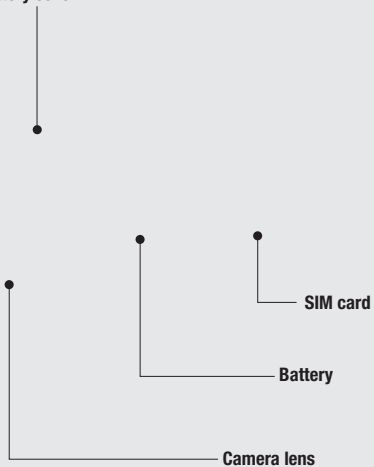
Front

Front

**Capture button**

**Volume**

**Battery cover**





# Inserting the SIM and Battery

## 1 Remove the battery cover

Slide the battery cover towards the bottom of the phone and away from it.



**WARNING:** Do not use your fingernail when removing the battery.



**WARNING:** Do not remove the battery when the phone is switched on, as this may damage the phone.

## 2 Remove the battery

Lever the bottom edge of the battery and remove it carefully from the battery compartment.

## 3 Insert the SIM card

Slide the SIM card into the SIM card holder. Make sure that the gold contact area on the card is facing downwards.

To remove the SIM card, pull it gently in the reverse direction.

#### 4 Insert the battery

Insert the top of the battery into the top edge of the battery compartment. Ensure the battery contacts align with the terminals on the phone. Press down the bottom of the battery until it clips into place.

#### 6 Charging your phone

Pull open the cover of the charger socket on the side of your KS500. Insert the connector on your charger, and plug into a mains electricity socket. Your KS500 will need to be charged until the message "Battery full" appears on the screen.

#### 5 Replace the battery cover

Slide the battery cover towards the top of the phone until it clicks into place.

# Memory card

## Inserting a memory card

You can expand the memory space available on your phone using a memory card. The KS500 will support a memory card of up to 4 GB.

**TIP!** A memory card is an optional accessory.

To insert the memory card, slide it into the slot at the top until it clicks into place, making sure that the gold contact area is facing upwards.

# Menu map

## GAMES & APPS

- 1 My games & apps
- 2 Settings

## CALLING

- 1 Make video call
- 2 Call logs
- 3 Call durations
- 4 Data volume
- 5 Call costs
- 6 Call divert
- 7 Call barring
- 8 Fixed dial numbers
- 9 Call waiting
- 0 Common settings
- \* Video call settings

## ORGANISER

- 1 Calendar
- 2 To do
- 3 Memo
- 4 Secret memo
- 5 Date finder
- 6 Settings

## MULTIMEDIA

- 1 Camera
- 2 Video camera
- 3 Music
- 4 Voice recorder

## MESSAGING

- 1 Create new message
- 2 Inbox
- 3 Mailbox
- 4 Drafts
- 5 Outbox
- 6 Sent items
- 7 My folders
- 8 Templates
- 9 Emoticons
- 0 Settings

## MY STUFF

- 1 My images
- 2 My sounds
- 3 My videos
- 4 My games & apps
- 5 SVG contents
- 6 Others
- 7 My memory card

## YAHOO!

- 1 Yahoo! Go

## CONTACTS

- 1 Add new
- 2 Search
- 3 Speed dials
- 4 Groups
- 5 Service dial numbers
- 6 Own number
- 7 My business card
- 8 Settings

## TOOLS

- 1 Quick menu
- 2 Alarms
- 3 Calculator
- 4 Stopwatch
- 5 Converter
- 6 World time

## BROWSER

- 1 Home
- 2 Enter address
- 3 Bookmarks
- 4 RSS reader
- 5 Saved pages
- 6 History
- 7 Settings

## CONNECTIVITY

- 1 Bluetooth
- 2 Server sync
- 3 USB connection

## SETTINGS

- 1 Profiles
- 2 Phone
- 3 Screen
- 4 Date & Time
- 5 Network
- 6 Internet profiles
- 7 Access points
- 8 Packet data conn.
- 9 Security
- 0 Memory manager
- \* Streaming settings
- # Reset settings

01

02

03

04

05

06

07

08

09

Setup

13

# Your standby screen

From here you can access menu options, make a quick call or change your profile - as well as many other things.

## Optical sensor

Your KS500 has a special feature; an optical sensor. You can use this to navigate menus as well as your web browser. Use the optical sensor by rubbing the panel with your thumb to drag the cursor around the screen. There's no need to press too hard as the optical sensor is sensitive enough to pick up on a light touch.

From the main menu, select **Settings**, **Phone**, then **Optical sensor settings**. From here you can choose **All** to enable its use in the browser and the menus, **Browser only**, or you can turn it **Off**.



**WARNING:** When the optical sensor is directly exposed to the sun, its function can be malfunctioned.

s Standby screen

s Optical sensor panel

## The main menu

The main menu provides twelve menu options.

- 1 Select **Menu**.
- 2 Use the arrow keys to select the required menu option.
- 3 When the option you require is selected, press **OK** to open.

01

02

03

04

05

06

07

08

09

# Your standby screen

## The status bar

The status bar displays various icons to indicate, amongst other things, signal strength, remaining battery life and new messages.

Icon	Description	Icon	Description
	Multitasking		Normal profile in use
	Network signal strength (number of bars will vary)		Outdoor profile in use
	No network signal		Silent profile in use
	Remaining battery life		External memory
	Battery empty		Calls are diverted
	New text message		GPRS available
	New voice message		EDGE in use
	New email		Roaming
	New multimedia message		Bluetooth is active
	An alarm is set		Calls are rejected
			HSDPA available
			3G available
			Flight mode is selected

# Calls

## Making a call

- 1 Enter the number using the keypad.  
To delete a digit press .
- 2 Press the green key to dial the entered number.
- 3 To end the call, press the red key.

**TIP!** To enter + for making an international call, press and hold **0**.

## Making a call from your contacts

- 1 From the main menu, press the down-arrow to open your contacts.
- 2 Using the keypad, enter the first letter of the contact you want to call. So, for 'Office', press **6** (MNO) three times.
- 3 Use the arrow keys to scroll through your contacts.
- 4 Press the green key to call the selected contact.

## Answering or rejecting a call

When your phone rings, press the green key to answer the call.

Press the red key to reject the incoming call.

**TIP!** You can change the settings on your phone to change how you answer a call.

From the main menu, select **Calling**, then **Common settings**, and select **Answer mode**. You can choose from **Press send key**, **Slide up** and **Press any key**.

01

02

03

04

05

06

07

08

09



# Calls

## Speed dialing

You can assign a frequently-called contact to a speed dial number.

- 1 From the main menu, select , then **Speed dials**.
- 2 Your voicemail is set to speed dial 1. Choose any other number to assign to a contact.
- 3 Your address book will open. Select the contact you'd like to assign that number to and press **OK**.

To call a speed dial number, press and hold the assigned number until the contact appears on screen. The call will initiate automatically.

## Viewing your call logs

From the main menu, select and choose **Call logs**.

**All calls** - View the complete list of all of your dialled, received and missed calls.

**Dialled calls** - View the list of all the numbers you have called.

**Received calls** - View the list of all the numbers that have called you.

**Missed calls** - View the list of any calls you have missed.

To view other information on your calls, select the following in the menu:

**Call duration** - View details of how long you have spent on your calls.

**Call costs** - View the charges applied to your dialled numbers (this service is network-dependent, some operators are unable to support it) and the duration of all your calls; received and dialled.

**Data volume** - View the amount in kilobytes of all your received and sent data.

**TIP!** From any call log, select Options to delete selected or all logged items.

## Using call divert

- 1 From the main menu, select .
- 2 Select **Call divert**.
- 3 Choose whether you would like to divert all calls when the line is busy, when there is no answer or when you are not reachable.
- 4 Choose whether to divert to your voicemail or to another number.
- 5 Enter your divert number or select **Search** to browse for your divert number.

**Note:** Charges may be incurred for diverting calls. Please contact your network provider for details.

**TIP!** To turn off all call divers, choose **Deactivate all** from the **Call divert** menu.

## Using call barring

- 1 From the main menu, select .
- 2 Select **Call barring**.
- 3 Choose any or all of the following options for **Voice calls** or **Video calls**:

### All outgoing

### Outgoing international

### O/G international calls except home country

### All incoming

### Incoming when abroad

- 4 Select **Activate** and enter the call barring password. Please check with your network operator for this service.

**TIP!** If you only want to allow calls to specific numbers from your phone, you can turn on the **Fixed dial numbers** feature. To do so, select **Fixed dial numbers** from the **Calling** menu and then choose **Turn on**. Please note, you'll need your PIN2 code from your operator.

# Calls

## Changing the common settings

- 1 From the main menu, select and then choose **Common settings**.
- 2 From here you can amend the settings for:

**Call reject** - You can set which incoming calls to reject.

**Send my number** - Choose whether your number will be displayed when you call someone.

**Auto redial** - Choose **On** or **Off**.

**Answer mode** - Choose whether to answer the phone using the accept key, any key or by sliding your handset open.

**Minute minder** - Select **On** to hear a tone every minute during a call.

**BT answer mode** - You can choose whether calls should be answered by the handset or by a Bluetooth headset, if one is connected.

**Save new number** - Choose whether to save the phone number when ending a call, if the phone number is not already saved in your phonebook.

**Slide close setting** - Choose whether or not to end the active call when the slide is closed.

## Searching for a contact

- 1 From the main menu, select and choose **Search**.
- 2 Using the keypad enter the first letter of the contact you want to call. So, for 'Office', press **6** (MNO) three times.
- 3 Scroll through the contacts and their different numbers using the arrow keys.

## Adding a new contact

- 1 From the main menu, select and choose **Add new**.
- 2 Choose whether to store your new contact on your **Handset** or **USIM**.
- 3 Enter the information you would like to store about the contact and select **Done**.

Or, use the following shortcut:

- 1 Enter the number you wish to store and select **Options**.
- 2 Choose **Save number** and then select whether you would like to create a new contact or update an existing one by choosing **New contact** or **Update contact**.
- 3 Enter the relevant information as above and select **Done**.

**Note:** When it comes to storing a contact's email address, press the key on the keypad to get access to symbols such as '@'.

## Contact options

There are many things you can do when viewing a contact. Here's how to access and use those features:

- 1 Open the contact you'd like to use. See **Searching for a contact** above.
- 2 Select **Options** to open the list of options. From here you can:

**Send message** - Send a message to the contact. If the contact has an email address, you can send them an email from here, too.

**Send business card** - Send the contact's details as a business card.

**Make voice call** - Make a voice call to the contact.

**Make video call** - Make a video call to the contact.

**Add new contact** - Add a new contact.

**Edit** - Change the contact's details.

**Mark/unmark** - Mark/unmark the selected contact.

01

02

03

04

05

06

07

08

09

# Calls

**Search by** - Search a contact by name, number or group.

**Save to USIM/Handset** - Choose to move or copy to the SIM card or phone (depending on where you originally saved the contact).

**Delete** - Delete the contact. Select **Yes** to confirm.

**Text input** - Options for **Insert symbol**, **Input method**, **Writing language** and **Add to dictionary**.

## Adding a contact to a group

You can collect your contacts into groups, keeping your work colleagues and family members separate, for example. There are a number of groups including Family; Friends and Colleagues; School; and VIP already set up on the phone.

- 1 From the main menu, select and choose **Groups**.
- 2 Scroll to the group you wish to add a contact to, select it and choose **Add**.

- 3 Your contact list will open. Scroll to the contacts you would like to add to the group and select **Mark**, then **Done**.

**TIP!** You can assign a ringtone to a group. Select the group you wish to assign the ringtone to and select **Options**.

## Adding a picture to a contact

You can change the appearance of your contacts in your address book to include a picture.

- 1 From the main menu, select and choose **Settings**.
- 2 Select **Contact list settings** and select **Off** or **On** from the **Show picture** tab.
- 3 Return to the address book and select the contact to which you want to add a picture.
- 4 Choose **Options** and select **Edit**.
- 5 Scroll down to the **Image** section. Choose **Edit** and select an option. If you select **Take a picture**, your camera viewfinder will open, so you can take a picture of your contact.

## Copying your contacts to your SIM

You can copy your contacts from your SIM to your handset or from your handset to your SIM.

- 1 From the main menu, select and choose **Settings** and then **Copy**.
- 2 Choose between **Handset to USIM** or **USIM to handset**.
- 3 Choose whether to copy all the contacts together or one at a time.

## Deleting all of your contacts

- 1 From the main menu, select and choose **Settings** and then **Clear contacts**.
- 2 Select to delete contacts from **USIM** or **Handset**.
- 3 Select **Yes** to confirm your selection.

## Viewing information

- 1 From the main menu, select and choose one of the options to view your **Service dial numbers**, your **Own number** or your own business card.

**TIP!** If you haven't yet created a business card, the **My business card** screen will give you the option to create one. Select **Add** and enter your details as you would for any other contact. Select **Done** when you are finished.

01

02

03

04

05

06

07

08

09

# Messaging

## Messaging

Your KS500 combines SMS, MMS and email into one intuitive and easy-to-use feature.

### Sending a message

- 1 From the main menu, select **Message** and then **Create new message**.
- 2 Choose to send a **Message** or **Email**.
- 3 A new, blank message will open.
- 4 Enter your message using T9 predictive or Abc manual.  
See **Entering text** below to see how to switch between the different text entry modes.
- 5 From the **Options** menu, select **Insert** to add an image, video, sound or symbol.
- 6 Select **Send**.
- 7 Enter the phone number or select **Contacts** to open your contacts list.  
You can add multiple contacts.
- 8 Select **Send**.

## Entering text

There are two ways to enter text: T9 predictive and Abc manual.

To turn on T9 predictive text, begin a new message, choose **Options**, select **Input method** and choose **T9 mode**.

With T9 on, you can only switch between T9 and Abc mode by pressing **Options**, **Input method** and then select **Abc mode**.

### T9 predictive

T9 mode uses a built-in dictionary to recognise the words you are writing based on the key sequences you enter. Simply touch the number key associated with the letter you want to enter, and the dictionary will recognise the word once all the letters are entered. For example, press 8, 3, 5, 3, 7, 4, 6, 6, 3 to write 'telephone'.

If the word you want doesn't appear, choose **Options** and select **Add to dictionary**. Enter the word using Abc manual mode and your word or name will be added to the dictionary.

## Abc manual

In Abc mode you must press the key repeatedly to enter a letter. For example, to write 'hello', press 4 twice, 3 twice, 5 three times, 5 three times again, then 6 three times.

## Setting up your email

You can stay in touch on the move by using the email facility on your KS500. It's quick and simple to set up a POP3 or IMAP4 email account.

- 1 From the main menu, select and then **Settings**.
- 2 Select **Email** then **Email accounts**.
- 3 Select **Options** then **Edit**.
- 4 You can now choose how your account works:

**My name** - Enter your name.

**Username** - Enter the account username.

**Password** - Enter the account password.

**Email address** - Enter the account email address.

**Reply email address** - Enter the 'reply to' email address.

**Outgoing mail server** - Enter the account's mail sever address.

**Incoming mail server** - Enter the account details.

**Maximum receive size** - Choose the size limit of your emails, the maximum is 1MB.

**Mailbox type** - Enter the mailbox type, POP3 or IMAP4.

**Save to server** - Choose whether to save your emails to the server. For IMAP4 accounts copies are always saved.

**Save sent mail into** - Choose where to save your IMAP4 emails. For POP3 accounts copies are always saved on the phone.

**Access point** - Choose your Internet access point.

**Auto retrieve** - Choose whether to retrieve your mail.

**Advanced settings** - Choose whether to use the advanced settings.

01

02

03

04

05

06

07

08

09



# Messaging

**SMTP port number** - Normally, this will be 25.

**Incoming server port** - Normally, this is 110 for POP3 accounts and 143 for IMAP4 accounts.

**SMTP authentication** - Choose the security settings for the outgoing mail server.

**SMTP username** - Enter the SMTP username.

**SMTP password** - Enter the SMTP password.

**APOP secure login** - Choose to activate APOP secure login for a POP3 account. IMAP4 accounts are always set to off.

## Retrieving your email

You can check for new email automatically or manually. See **Changing your email settings** for details on how to check for new email automatically.

To check manually:

- 1 From the main menu, select **Messaging** and then **Mailbox**.
- 2 Select the account for which you would like to check your email and then select **Retrieve**.
- 3 Your KS500 will connect to your email account and retrieve your new messages.

## Changing your email settings

You can use the following settings to configure your email preferences.

- 1 From the main menu, select **Messaging** and then **Settings**.
- 2 Select **Email** - from there you change the following settings:

**Allow reply email** - Choose to allow the sending of 'read confirmation' messages.

**Request reply email** - Choose whether to request 'read confirmation' messages.

**Retrieve interval** - Choose how often your KS500 checks for new email messages.

**Include message in Fwd & Reply** - Choose whether or not to include the original message in your replies.

**Include attachment** - Choose whether or not to include the original attachment.

**Auto retrieval in roaming** - Choose to auto retrieve your messages when abroad, or stop auto retrieval.

**New email notification** - Choose whether to be alerted to new emails.

**Signature** - Create an email signature and switch this feature on.

**Priority** - Choose the priority level of your email messages.

## Message folders

From the main menu, select .

**Inbox** - All received messages are placed in your inbox. From here you can send replies, forward and perform other actions, see page 28 for details.

**Mailbox** - The mailbox folder contains folders for each email account configured on the phone.

**Drafts** - If you don't have time to finish writing a message, you can save what you've done so far.

**Outbox** - This is a temporary storage folder and contains messages that are being sent.

**Sent items** - All sent messages are placed into your **Sent items** folder.

01

02

03

04

05

06

07

08

09

# Messaging

**My folders** - Allows you to group messages as you prefer.

**Templates** - A list of useful messages, to be used for quick replies.

**Emoticons** - A list of useful emoticons.

You can also access your messaging settings by selecting **Settings**.

## Managing your messages

You can use your Inbox to manage your messages.

1 From the main menu, select **Messaging** and then **Inbox**.

2 Select **Options** and then choose to:

**Reply** - Send a reply to the selected message.

**Forward** - Send the selected message on to another person.

**Call** - Call the person who sent you the message.

**Delete** - Delete selected messages.

**Create new message** - Create a new message or Email.

**Mark/unmark** - Mark/unmark the selected messages.

**Move to my folder** - Move the selected message to one of the folders you have created.

**Filter** - Sort messages depending on whether they are SMS or MMS.

**TIP!** If you see the message **No space for messages** you can delete either messages or saved files to create space.

## Using templates

You can create templates for the SMS and MMS messages you send most frequently. You'll find some templates already on your phone, and you can edit these if you wish.

- 1 From the main menu, select **Messaging** and then **Templates**.
- 2 Choose **Text templates** or **Multimedia templates**. Once you've selected a message, choose **Options** and then **Edit** to change an existing template. You can also choose **Add new** to create a new template or **Delete** to delete an existing template.
- 3 You can use a template when you create a new message by selecting **Options**, followed by **Insert** and then **Templates**.

## Changing your text message settings

Your KS500 message settings are pre-defined so that you can send messages immediately.

If you'd like to change the settings, see below for more information.

From the main menu, select **Messaging**, then choose **Settings** and then **Text message**. You can make changes to:

**Text message centre** - Enter the details for your message centre.

**Delivery report** - Choose to receive confirmation that your message was delivered.

**Validity period** - Choose how long your message is stored at the message centre.

**Message types** - Convert your text into Text, Voice, Fax, X.400 or Email.

**Character encoding** - Choose how your characters are encoded; note that this impacts the size of your message and may therefore affect data charges.

**Send long text as** - Choose how to send long messages (by multiple SMS or by single MMS).

01

02

03

04

05

06

07

08

09

# Messaging

## Changing your multimedia message settings

From the main menu, select **Messaging**, then choose **Settings**, followed by **Multimedia message**.

You can make changes to:

**Retrieval mode** - Choose whether to automatically or manually download multimedia messages depending on whether you are at home or roaming.

**Delivery report** - Choose to allow and/or request a delivery report.

**Read reply** - Choose to allow and/or send a read report.

**Priority** - Choose the priority level of your MMS.

**Validity period** - Choose how long your message is stored at the message centre.

**Slide duration** - Choose how long your slides appear on screen.

**Delivery time** - Choose from **Immediately**, **After 1 hour**, **After 1 day** and **After 1 week**.

**Multi msg centre** - Select an operator-specific network profile for the sending of multimedia messages.

## Changing your other settings

From the main menu, select **Messaging**, choose **Settings** and then choose from the following:

**Videomail or Voicemail** - Your Videomail and/or Voicemail numbers are stored here. Contact your network operator for more information on the service they provide.

**Service message** - Here you can switch off 'push' messaging; your messages will no longer be pushed directly to your device as they are received, only when you check for new messages.

**Info. service** - Choose the reception status, alerts and language of your info messages.

# Camera

## Taking a quick photo

- 1 Press the **key** on the right-hand side of the handset and the camera's viewfinder will appear on screen.
- 2 Holding the phone horizontally, point the lens towards the desired subject of the photo.
- 3 Press the centre key or the **key** to take a photo.

The file name of captured picture indicates the current date and time.

e.g. PDD-MM-YY\_hh.mm

(P : Prefix / D : Day / M : Month /  
Y : Year / h : Hour / m : Minute)

## After you've taken your photo

Your captured photo will appear on screen. The name of the image runs along the bottom of the screen and you'll see options displayed at the right of the screen. Select **Options** to rename or edit the image.

Go back to previous menu.

View the pictures you have taken in your Album.

Sent the photo as an MMS, Email, via Bluetooth.

See page 24 for **Sending a message**, and page 54 about sending and receiving your files using **Bluetooth**.

Take another photo straight away. Your current photo will be saved.

Use the image as **Wallpaper**, as a Contact image, or in your Start-up or Shut down screen.

Delete the photo you have just taken and confirm by touching **Yes**. The viewfinder will reappear.

**TIP!** In camera mode select Play icon to open the photo album. See page 33, **Viewing your saved photos**, for details.

01

02

03

04

05

06

07

08

09

# Camera

## Using the toolbar

Before taking a photo, select **Settings** to configure various options.

**Colour effect** - Choose from four colour tone options: **Off**, **Black & White**, **Negative** and **Sepia**.

**White balance** - The white balance ensures that any white in your photos appears realistic. In order for your camera to correctly adjust the white balance you may need to determine the light conditions. Choose from **Auto**, **Sunny**, **Incandescent**, **Cloudy** or **Fluorescent**.

**Night mode** - **On** or **Off**

**Timer** - The self-timer allows you to set a delay after the capture button is pressed. Choose from **3 secs.**, **5 secs.** or **10 secs.**. Great for that group photo you want to be a part of.

**Shot mode** - **Normal**, **Burst shot** and **Frame shot**

**Image quality** - Choose between **Normal**, **Fine** and **Super fine**. The finer the quality, the sharper the photo will be but the file size will increase as a result, which means you'll be able to store fewer photos in your phone's memory.

**Memory in use** - Choose whether to save your photos to the **Handset** memory or to the **External** memory.

**Hide icons** - Set whether to automatically hide the icons on the side of the viewfinder.

**Sound** - Select one of the three different shutter sounds.

## Changing the image size

The larger the image size, the larger the file. Storing larger sized images will take up more of your phone's memory. If you want to fit more pictures on to your phone you can alter the image size to make the file size smaller.

- 1 Select **Size** from the right toolbar.
- 2 Select an option from those presented (**3M, 2M, 1M, 640X480, 320X240, Wallpaper, Contacts**).

## Viewing your saved photos

- 1 You can access your saved photos from within the camera mode and from the standby screen. From the viewfinder, simply select **Album** from the right toolbar. From the main menu, select and then **My images**.
- 2 Your gallery will appear on screen.
- 3 Use the arrows to select the photo you want to view and choose **View** to enlarge it.

## Choosing a shot mode

- 1 Select **Settings** to open the available shot modes.
- 2 Choose from the four options:

**Normal shot** - This is the default shot type, the photo will be taken in the normal way, as outlined in **Taking a quick photo** on page 31.

**Burst shot** - This enables you to take nine shots automatically in very quick succession. See **Using burst shot mode** on page 34 for details.

**Frame shot** - Choose from one of the fun frames to transform your friend into a pirate or just decorate their surroundings.

01

02

03

04

05

06

07

08

09



# Camera

## Using burst shot mode

Burst shot mode is great for taking photos of moving objects or at sporting events.

- 1 Select **Burst shot**.
- 2 Position the subject in the viewfinder and press the capture button as you would to take a normal photo.
- 3 The camera will take nine shots in quick succession and display the first with eight thumbnails on the left side of the screen.
- 4 Select the shot you want to view by selecting the thumbnail once.

## Using a frame shot mode

Frame shot can be used to transform your friend into a pirate, or just to decorate their surroundings with a frame.

- 1 Select **Frame shot** menu.
- 2 Position the subject in the fun frame and press the capture button.
- 3 Save the image by selecting **Save**.

# Video camera

## Shooting a quick video

- 1 Press the **Key** on the right hand side of the handset and the camera's viewfinder will appear on screen.
- 2 Select **Video** from the right toolbar and the video camera's viewfinder will appear on screen.
- 3 Point the camera lens towards the desired subject of the video.
- 4 Press the centre key or the **Key** to start recording.
- 5 **REC** will appear in the bottom of the viewfinder and a timer will show the length of your video.
- 6 To pause the video select **Pause** and resume by selecting **Resume**.
- 7 Select **Stop** to stop recording.

**Note:** You can also access the video camera from the main menu by selecting **Video camera**, scrolling down and selecting **Video camera** to open the viewfinder.

## After you've shot your video

A still image representing your captured video will appear on screen. The name of the video runs along the bottom of the screen. You can access the **Use as** and **Rename** options by pressing **Settings**.

## Using the toolbar

Before shooting a video, select **Settings** to configure various options.

**Colour effect** - Choose from four colour tone options: **Off**, **Black & White**, **Negative** and **Sepia**.

**White balance** - The white balance ensures that any white in your videos appears realistic. In order for your camera to correctly adjust the white balance you may need to determine the light conditions. Choose from **Auto**, **Sunny**, **Incandescent**, **Cloudy** or **Fluorescent**.

01

02

03

04

05

06

07

08

09

# Video camera

## Night mode - On or Off

**Video quality** - Choose between **Super fine**, **Fine** and **Normal**. The finer the quality the sharper a video will be, but the file size will increase as a result, which means you'll be able to store fewer videos in the phone's memory.

## Duration - Normal or MMS.

**TIP!** The settings menu is superimposed over the viewfinder, so when you change elements of the image colour or quality you'll be able to see the image change in preview behind the settings menu.

Use the arrow keys to navigate the options in **Others**.

**Memory in use** - Choose whether to save your videos to the Handset memory or to the External memory.

**Hide icons** - Set the camera to automatically hide the icons to the side of the viewfinder.

**Voice** - Choose Mute to record a video without sound.

## Watching your saved videos

- 1 Select the album icon. Your album will appear on screen.
- 2 Highlight the video you want to view to bring it to the front of the album.
- 3 Select the video to open it fully.

## Adjusting the volume when viewing a video

To adjust the volume of the audio on a video whilst it is playing, use the keys on the side of the handset.

# My stuff

You can store multimedia files in your phone's memory in **My stuff** so that you have easy access to all of your pictures, sounds, videos and games. You can also save your files to a memory card. The advantage of using a memory card is that you can free up space on your phone's memory.

## My images

**My images** contains a folder of default images pre-loaded onto your phone, images downloaded by you and images taken with your phone's camera.

## Option menus

The options available to you depend on what type of image you have selected. All of the options listed below will be available for pictures you have taken on the phone's Camera.

In the images folder, select Options to display your list of options.

**Send** - Send the selected image to a friend via message, email or Bluetooth.

**Note:** The image may need to be resized before it can be sent by MMS.

**Use as** - Select as Wallpaper, Contacts image, Start up image or Shut down image.

**Move** - Move an image from the phone memory to a memory card or vice versa.

**Copy** - Copy an image from the phone memory to a memory card or vice versa.

**Delete** - Delete the selected image.

**Mark/Unmark** - Select multiple files.

**Print via** - Print an image file via Bluetooth®.

**File** - Edit, Rename or view the File info. (Name, Size, Date, Resolution, Type, Copyright and Protect) of the selected image.

**Create new folder** - Create a new folder within the Pictures folder.

**Slide show** - See **Creating a slide show** on page 38.

01

02

03

04

05

06

07

08

09

# My stuff

**Sort by** - Arrange your images by date, type or name.

**List view/Grid view** - Change the way you view your photos.

**Memory manger** - View the memory status.

## Sending a photo

- 1 From the main menu, select .
- 2 Select **My images**.
- 3 Select a photo and choose **Options**.
- 4 Select **Send** and choose from **Message**, **Email** or **Bluetooth**.
- 5 If you choose **Message** or **Email**, your photo will be attached to the message and you can write and send the message as normal. If you choose **Bluetooth**, you will be prompted to turn Bluetooth on and if you choose **Yes**, your phone will search for a device to send the picture to.

## Organising your images

- 1 From the main menu, select .
- 2 Select **My images**.
- 3 Select **Options** and then **Sort by**.
- 4 Choose from **Date**, **Type** or **Name**.

## Deleting an image

- 1 From the main menu, select .
- 2 Select **My images**.
- 3 Select an image and choose **Options**.
- 4 Select **Delete**.

## Creating a slide show

If you want to look at the images on your phone, you can create a slide show to save you from having to open and close each individual image.

- 1 From the main menu, select .
- 2 Select **My images**.
- 3 Select the photo with which you would like to begin the slideshow and choose **Options**.
- 4 Select **Slide show** and it will begin.
- 5 Select **Stop** to pause the slide show or **Back** to end the slide show and return to the **My images** folder.

Selecting **Options** during the slide show allows you to change to full or landscape view.

## My sounds

The **My sounds** folder contains **Default sounds** as well as your **Voice recordings**. From here you can set sounds as ringtones or send them to other people.

## Using a sound

- 1 From the main menu, select .
- 2 Select **My sounds**.
- 3 Select **Default sounds** or **Voice recordings**.
- 4 Find a sound and choose **Play** to listen to it.
- 5 Select **Options** and choose **Use as** to set the sounds as your **Voice ringtone**, **Video ringtone**, **Message tone**, **Start-up sound** or **Shut down sound**.

## My videos

The **My videos** folder contains downloaded videos and videos that you have recorded with your phone.

01

02

03

04

05

06

07

08

09

# My stuff

## Watching a video

- 1 From the main menu, select .
- 2 Select **My videos**.
- 3 Select a video and choose **Play**.

## Using options while video is paused

Select **Options** while in pause mode and choose from:

**Landscape view** - View the video file in full shot.

**Mute/Unmute** - Switch the sound on/off.

**Capture** - Capture the frozen frame as a picture.

**Repeat** - Repeat the video file.

**File info.** - View the name, size, date, time, type, duration, dimension, protection and copyright details.

**Send** - Send the video in a message, Email, via Bluetooth.

**Delete** - Delete the video.

**Use as** - Use as a video ringtone.

## Sending a video clip

- 1 Select a video and select **Options**.
- 2 Select **Send** and choose from **Message**, **Email** or **Bluetooth**.
- 3 If you choose **Message** or **Email**, your video clip will be attached to the message and you can write and send the message as normal. If you choose **Bluetooth**, you will be prompted to turn Bluetooth on and your phone will search for a device to send the video to.

## Using a video clip as a ringtone

- 1 Select a video and choose **Options**.
- 2 Select **Use as** and choose **Voice ringtone** or **Video ringtone**.

## Using the video options menu

From the **Videos** folder, you can choose from the following options:

**Send** - Send a video to a friend.

**Move** - Move a video clip from the phone memory to a memory card or vice versa.

**Copy** - Copy a video clip from the phone memory to a memory card or vice versa.

**Delete** - Delete a video.

**Mark/Unmark** - Select multiple files.

**File** - Edit the file name and view its information.

**Create new folder** - Create a new folder within the My videos folder.

**Sort by** - Sort videos into a specific order.

**Grid view/List view** - View the options menu by Grid or List type.

**Memory manager** - View the memory status.

## Games and applications

Your KS500 comes with pre-loaded games to keep you amused when you have time to spare. If you choose to download any additional games or applications they should be saved in this folder.

### Playing a game

- 1 From the main menu, select .
- 2 Select **My games & apps**.
- 3 Select the game of your choice and choose **Launch**.

### SVG contents

The SVG contents folder contains all of your default and downloaded flash contents.

### Viewing an SVG file

- 1 Select **My stuff** then **SVG contents**.
- 2 Select the file and press **Play**.

01

02

03

04

05

06

07

08

09



# My stuff

## Using options viewing the SVG file

Select **Options** while in pause mode and choose from:

**Play/Pause** - Pause or resume playback.

**Full screen/Landscape view** - View your SVG in full screen or landscape view mode. (this only appears if you select **Options** without pausing).

**Mute/Unmute** - Switch the sound on/off.

**Use as wallpaper** - Set the SVG file as a wallpaper.

**File info.** - View the details about the file.

## Others

The **Others** folder is used to store files which are not pictures, sounds, videos, games or applications.

## My memory card

If you've inserted a memory card it will be displayed as a folder within **My stuff**. That folder will be divided into four further folders: **Images, Sounds, Videos** and **Others**.

## Using your phone as a mass storage device

Your KS500 can be used as a mass storage device, just like a USB stick. This is a great way of moving files from your computer to your phone. If you've inserted a memory card and are connecting as mass storage, two drives will appear on your computer.

- 1 From the main menu, select **Connectivity**.
- 2 Select **USB Connection**.
- 3 Scroll to **Mass storage** and choose **Select**.
- 4 Insert the smaller end of the USB cable into the USB cable connector on the edge of the KS500. Plug the larger end into the USB port of your computer.

- 5 A removable disk folder will open automatically (two if you have a memory card inserted) showing all the folders on your phone.
- 6 Drag and drop your images, videos, music or documents into the desired folders.
- 7 Safely remove your phone by clicking on the **Safely remove hardware** icon in your desktop toolbar.

01

02

03

04

05

06

07

08

09

# Multimedia

## Music

Your LG KS500 has a built-in MP3 player so you can play all your favourite music.

To access the MP3 player, choose from the main menu and then select **Music**. From here you have access to:

**Recently played** - This option shows the last played track.

**All tracks** - Contains all of the songs you have on your phone.

**Artists** - You can view and play music sorted by artist.

**Albums** - You can view and play music sorted by album.

**Genres** - You can view and play music sorted by genre.

**Playlists** - Contains any playlists you have created.

**Shuffle tracks** - If you want to play a continuous random selection, choose this option.

## Transferring music onto your phone

The easiest way to transfer music onto your phone is via Bluetooth or your sync cable.

To transfer using Bluetooth:

- 1 Make sure both devices have Bluetooth switched on and are visible to one another.
- 2 Select the music file on the device and choose to send it via Bluetooth.
- 3 Choose **Yes** on your phone to accept the file.
- 4 The file should appear in **Music > All tracks**.

## Playing a song

- 1 From the main menu, select .
- 2 Choose **Music**.
- 3 Select **All tracks** and then the song you want to play. Select **Play** to begin.
- 4 From the **Options** menu, choose **Minimize** to hide the music player screen so that you can continue using your phone as normal while music is playing.
- 5 Select **Back** to return to the music menu.

**TIP!** To change the volume while listening to music, use the volume keys on the side of your phone.

## Creating a playlist

You can create your own playlists by choosing a selection of songs from the **All tracks** folder.

- 1 From the main menu, select .
- 2 Choose **Music**, then **Playlist**.
- 3 Select **Add**, enter the playlist name and choose **Save**.
- 4 The **All tracks** folder will be shown. Select the songs that you would like to include by moving to them and pressing **Mark** ; a tick will show next to their name.
- 5 Select **Done** to store the playlist.

## Playing a playlist

- 1 From the main menu, select .
- 2 Choose **Music**, then **Playlists**.
- 3 Move to the playlist you would like to play and choose **Select** and then **Play**.

## Editing a playlist

From time to time, you may want to add new songs or delete songs from a playlist. You may also want to organise your playlists.

- 1 From the main menu, select .
- 2 Choose **Music**, then **Playlists**.
- 3 Scroll to the playlist you want to edit and choose **Select**, then **Options**.  
Choose from:

**Add new songs** - You can add or delete songs from the playlist using this option.

**Remove from list** - Remove a song from the playlist. Touch **Yes** to confirm.

**Move up/Move down** - Move the song up or down the list to change the playing order.

## Deleting a playlist

- 1 From the main menu, select .
- 2 Choose **Music**, then **Playlists**.
- 3 Scroll to the playlist you want to delete and select **Options**.
- 4 Select **Delete** and choose **Yes** to confirm.

# Multimedia

## Voice recorder

Use your **Voice recorder** to record voice memos or other sounds.

- 1 From the main menu, select .
- 2 Choose **Voice recorder**.
- 3 Select **Rec.** to begin recording.
- 4 Select **Pause** to pause the recording.
- 5 Select **Stop** to end the recording.
- 6 From the Options menu, select **Play** to listen to the recording or select **Delete** to delete it.

**Note:** You can listen to all of the voice recordings you have saved by selecting **Options**, then **Go to Voice recordings**.

## Sending the voice recording

- 1 Once you have finished recording, select **Options**.
- 2 Select **Send** and choose from **Message**, **Bluetooth** or **Email**. If you choose **Message** or **Email**, the recording will be added to the message and you can write and send it as normal.

## Transferring a file to your phone

You can also transfer files from your computer to your phone using Bluetooth.

- 1 Make sure your phone and computer have Bluetooth switched on and that they are visible to one another.
- 2 Use your computer to send the file via Bluetooth.
- 3 Accept the file by choosing **Yes**.
- 4 The file will be saved within the appropriate folder depending on its type. So, for example, a photo will be saved in the **My images** folder and music in the **My sounds** folder. If your phone cannot identify the file type, it will be saved in the **Others** folder.

**Note:** Files sent using Bluetooth can be saved to the phone's memory.

# Organiser

## Adding an event to your calendar

- 1 From the main menu, select , then **Calendar**.
- 2 Select the date you would like to add an event to. You can choose a date either by scrolling to it using the arrow keys or by selecting **Options**, then **Add new event** and manually entering the date.
- 3 Select **Add new event** and enter the time you would like your event to begin. Scroll down using the arrow keys and enter the end time of your event.
- 4 Scroll down and enter a **Subject** for the event.
- 5 Choose whether or not you would like to set an **Alarm** for the event. Scroll left or right to see the available options. You can select for the alarm to go off at the starting time of the event or at a set period of time before the event starts.

- 6 Choose whether or not the event is a one-off or if it is to be repeated. You can choose from **Daily**, **Weekly**, **Monthly**, **Annually** or **User setting** options. If the event is repeated, you can also enter an **Expiration date** for when the events will stop repeating.
- 7 Select **Done** and your event will be saved in the calendar. An icon will mark the days that contain events.

## Editing a calendar event

- 1 From the main menu, select , then **Calendar**.
- 2 Choose **Options** and select **Weekly** to see a list of all your events. Scroll to the event you would like to edit and select **View**. Alternatively select the day of the event in the calendar and select **View**.
- 3 Select **Options**, then **Edit** and scroll to the event detail you want to change. Make your modifications and choose **Done** to store the edited event.

**Note:** You can delete an event from your calendar by viewing the event and choosing **Delete**.

01

02

03

04

05

06

07

08

09

# Organiser

## Sharing a calendar event

- 1 From the main menu, select , then **Calendar**.
- 2 Choose **View** to select the event you would like to share and choose **Options**.
- 3 Choose **Send** and select from **Text message**, **Multimedia message**, **Email** or **Bluetooth**.

## Adding a memo

- 1 From the main menu select , then **Memo**.
- 2 Select **Add** and type your memo.
- 3 Select **Save**.
- 4 Your memo will appear on screen the next time you open the **Memo** application.

**TIP!** You can edit an existing memo. Select the one you want to edit, choose **Options** and select **Edit**.

# Tools

## Setting an alarm

- 1 From the main menu, select , then **Alarms**.
- 2 Select **Add new**, from the **Options** menu.
- 3 Enter the time you would like the alarm to sound at.
- 4 Choose whether you would like your alarm to sound **Once, Daily, Mon - Fri, Mon - Sat, Sat - Sun** or **Except holiday**.
- 5 Scroll down to choose the alarm sound. Select **Edit** to select a new sound.
- 6 Scroll down and enter a name for the alarm or keep the suggested name.
- 7 Select **Done**.

**Note:** You can set up to 5 alarms.

The alarm will go on even when the phone is switched off.

## Using the calculator

- 1 From the main menu, select , then **Calculator**.
- 2 Press the numeric keys to input numbers.
- 3 Use the arrow keys to add, subtract, multiply and divide.
- 4 More complex calculations can be accessed in the **Options** menu.
- 5 Press to clear the screen a start a new calculation.

## World time

- 1 From the main menu, select , then **World time**.
- 2 To add a new city to the list, choose **Options, Add city**, then select a city from the list.
- 3 To set your current time-zone, select **Options**, then **Change current city**.

01

02

03

04

05

06

07

08

09



# Tools

## Converter

- 1 From the main menu, select , then **Converter**.
- 2 You can choose to convert **Currency, Surface, Length, Weight, Temperature, Volume** or **Speed**.
- 3 Select the units of measurement you would like to convert from and to.
- 4 The result of the conversion will appear below.

## Using the stopwatch

- 1 From the main menu, select , then **Stopwatch**.
- 2 Press **Start** to begin the timer.
- 3 Press **Lap** if you'd like to record a lap time.
- 4 Press **Stop** to end the timer.
- 5 Press **Resume** to continue timing, or choose **Reset** to start again.

# Browser

Browser brings you up-to date news, sport, weather and traffic reports, and much more. You can also use it to download the latest ringtones, music, wallpapers and games.

## Accessing the web

- 1 From the main menu, select .
- 2 To access the browser homepage directly, select **Home** to access the internet homepage, or **Enter address** to type in the URL of the web-page you'd like to visit.

**Note:** An additional cost is incurred when connecting to this service and downloading content. Check data charges with your network provider.

## Adding and accessing bookmarks

For quick and easy access to your favourite websites, you can add bookmarks and save web-pages.

- 1 When viewing a page that you'd like to bookmark, select **Options**, then **Bookmarks**.
- 2 Select **Add to bookmarks**.
- 3 Confirm title and press **Done**.
- 4 Select a folder to store the bookmark in.

**TIP!** After opening the page in browser, you can save the current page by selecting **Save page**.

## Accessing a saved page

- 1 From the main menu, select .
- 2 Select **Saved pages**.
- 3 Choose a page and select **Open**.

## Viewing your browser history

- 1 From the main menu, select.
- 2 Select **History**.
- 3 A list of web-pages you have accessed recently will be displayed. If you'd like to open one of them, you can.

## Changing the web browser settings

- 1 From the main menu, select . Then choose **Settings**.
- 2 You can choose the way your mobile handles, displays and uses information when browsing the internet. You can modify a variety of settings by selecting **Options**, then **Settings**.

01

02

03

04

05

06

07

08

09

# Yahoo!

## Yahoo!

To access Yahoo! Services, select **Yahoo!** from the main **Menu**.

**TIP!** You may be unable to access Yahoo! in some countries. This is dependent on Network Services.

## RSS reader

RSS reader provides news updates from websites registered in your phone. You read these files in Rss reader, which collects news from registered websites registered in your phone and provides it to you in a simple form.

# Settings

Within this folder you can change the phone's settings to personalise your KS500.

## Changing your screen settings

- 1 From the main menu, select .
  - 2 Select **Screen** and choose from:
    - Screen theme** - Modify your phone's display, including wallpaper.
    - Menu style** - Choose the style used to display menus.
    - Dialling** - Adjust the font style used when entering a phone number.
    - Font** - Adjust the font type.
    - Backlight** - Choose how long the backlight remains on for.
    - Handset theme** - Change the look of your screen.
    - Greeting message** - Choose to add a message to your standby screen.
- Note:** The longer the backlight is on for, the more battery power is used and you may need to charge your phone more often.

## Activating your profiles

From the main menu, choose **Settings**, then **Profiles**. Select the profile you would like to activate.

Choose from:

- Normal
- Silent
- Outdoor
- Flight mode
- Customised 1
- Customised 2
- Customised 3

## Personalising your profiles

- 1 Choose the profile setting you want to edit and select **Options**, then **Edit**.
- 2 For the **Silent** profile, you can switch vibration on or off. For the other profiles, you can change sounds and alerts.

01

02

03

04

05

06

07

08

09

# Settings

## Other phone settings

From the main menu, choose **Settings**. You can then adjust the settings for the following areas.

**Phone** - Change the phone settings for the key lock, Optical sensor settings, languages and power saving. You can also view handset information.

**Screen** - Change your screen settings.

**Date & Time** - Adjust the date and time settings or choose to automatically update the time when you travel.

**Network** - Your KS500 automatically connects to your preferred network. To change these settings use this menu. You can also add new access points using this menu.

**Access points** - Your network operator has already saved this information.

**Packet data conn.** - Set the packet data connection.

**Reset settings** - Reset all the settings to their factory definitions.

## Changing security settings

**PIN code request** - Set the phone to ask for the PIN code of your SIM card when switching on the phone.

**Handset lock** - Set the phone lock to avoid unauthorised use. You will need a security code.

**Change codes** - Change the codes: PIN / PIN2 / Security code

## Using Memory manager

Your KS500 has three memories available: the phone; the SIM card; and an external memory card (you may need to purchase the memory card separately).

You can use **Memory manager** to determine how each memory is used and see how much space is available.

From the main menu, choose **Settings**, then **Memory manager**. Your options are:

**Handset common memory** - View the memory available on your KS500 for images, sounds, videos, multimedia messages, email, java and others.

**Handset reserved memory** - View the memory available on your handset for a variety of items.

**USIM memory** - View the memory available on your SIM Card.

**External memory** - View the memory available on your external memory card (you may need to purchase the memory card separately).

**Primary storage setting** - Choose between **Handset memory** and **External memory** as the primary storage.

## Bluetooth

Bluetooth is a great way to send and receive files as no wires are needed and connection is quick and easy. You can also connect a Bluetooth headset to make and receive calls.

Before you can start sharing files with Bluetooth, you will need to pair your device with another Bluetooth device. For information on pairing devices, see **Pairing with another Bluetooth device on the next page**.

### To switch Bluetooth on:

- 1 From the main menu, choose **Connectivity**, then **Bluetooth**.
- 2 Select **Turn on**.

### To send a file:

- 1 Open the file you want to send.
- 2 Select **Options** and choose **Send**, then **Bluetooth**.
- 3 Your KS500 will automatically search for other Bluetooth enabled devices within range.
- 4 Choose the device you want to send the file to and select **Send**.

**TIP!** Keep an eye on the progress bar to make sure your file is sent.

### To receive a file:

- 1 To receive files, your Bluetooth must be both on and visible. See **Changing your Bluetooth settings** on the next page for more information.
- 2 A message will prompt you to accept the file from the sender. Select **Yes** to receive the file.

01

02

03

04

05

06

07

08

09

# Settings

## Changing your Bluetooth settings

- 1 From the main menu, choose **Connectivity**, then **Bluetooth**.
- 2 Choose **Settings**.  
You can make changes to the following:  
**My device visibility** - Choose from **Visible**, **Hidden** or **Visible for 1 min..**  
**My device name** - Enter a personalised name to identify your KS500.  
**Supported services** - Search for the profile supported by KS500.  
**My address** - View your Bluetooth address.

## Pairing with another Bluetooth device

By pairing your KS500 and another device, you can set up a passcode protected connection. This means your communications are more secure.

- 1 Check your Bluetooth is on and visible.
- 2 Select **Search for new device** from the Bluetooth menu.
- 3 Your KS500 will search for devices. When the search is completed **Add** and **Refresh** will appear on screen.
- 4 Choose the device you want to pair with, select **Add**, enter the passcode and choose **Select**.
- 5 Your phone will then connect to the other device, on which you should enter the same passcode.
- 6 Your passcode-protected Bluetooth connection is now ready.

## Changing your security settings

Change your security settings to keep your KS500 and the important information it holds protected.

From the main menu, choose **Settings**, then **Security**.

**PIN code request** - A PIN code can be requested when you turn your phone on.

**Handset lock** - Choose when your security code will be requested.

**Change codes** - Change your **Security code**, **PIN code** or **PIN2 code**.

# Accessories

These accessories are supplied with your KS500.

## Charger

## Battery

## Stereo headset and handsfree connector

## Data cable and CD

Connect and synchronise your KS500 with your PC.

## User guide

Learn more about your KS500.

### Note:

- Always use genuine LG accessories.
- Failure to do this may invalidate your warranty.
- Accessories may be different in different regions; please check with our regional service company or agent for further inquiries.

01

02

03

04

05

06

07

08

09



## Network service

The wireless phone described in this guide is approved for use on the GSM 900, DCS 1800, PCS 1900 and W-CDMA networks.

A number of features included in this guide are called Network Services. These are special services that you arrange through your wireless service provider. Before you can take advantage of any of these Network Services, you must subscribe to them through your service provider and obtain instructions for their use from your service provider.

## Technical data

### General

Product name : KS500

System : GSM 900 / DCS 1800 / PCS 1900  
/ W-CDMA

### Ambient Temperatures

Max : +55°C (discharging), +45°C (charging)

Min : -10°C