

APPENDIX H  
: USER'S MANUAL

# User's Guide

## L2300B L2300C

**M**ake sure to read the **Important Precautions** before using the product.  
Keep the User's Guide(CD) in an accessible place for future reference.

**S**ee the label attached on the back cover and quote this information to your dealer when you require service.



## Important Precautions

**This unit has been engineered and manufactured to ensure your personal safety, however improper use may result in potential electrical shock or fire hazards. In order to allow the proper operation of all safeguards incorporated in this display, observe the following basic rules for its installation, use, and servicing.**

### On Safety

Use only the power cord supplied with the unit. In case you use another power cord, make sure that it is certified by the applicable national standards if not being provided by the supplier. If the power cable is faulty in any way, please contact the manufacturer or the nearest authorized repair service provider for a replacement.

The power supply cord is used as the main disconnection device. Ensure that the socket-outlet is easily accessible after installation.

Operate the display only from a power source indicated in the specifications of this manual or listed on the display. If you are not sure what type of power supply you have in your home, consult with your dealer.

Overloaded AC outlets and extension cords are dangerous. So are frayed power cords and broken plugs. They may result in a shock or fire hazard. Call your service technician for replacement.

Do not Open the Display.

- There are no user serviceable components inside.
- There are Dangerous High Voltages inside, even when the power is off.
- Contact your dealer if the display is not operating properly.

To Avoid Personal Injury :

- Do not place the display on a sloping shelf unless properly secured.
- Use only a stand recommended by the manufacturer.

To Prevent Fire or Hazards:

- Always turn the display OFF if you leave the room for more than a short period of time. Never leave the display ON when leaving the house.
- Keep children from dropping or pushing objects into the display's cabinet openings. Some internal parts carry hazardous voltages.
- Do not add accessories that have not been designed for this display.
- During a lightning storm or when the display is to be left unattended for an extended period of time, unplug it from the wall outlet.

## Important Precautions

### On Installation

Do not allow anything to rest upon or roll over the power cord, and do not place the display where the power cord is subject to damage.

Do not use this display near water such as near a bathtub, washbowl, kitchen sink, laundry tub, in a wet basement, or near a swimming pool.

Displays are provided with ventilation openings in the cabinet to allow the release of heat generated during operation. If these openings are blocked, built-up heat can cause failures which may result in a fire hazard. Therefore, NEVER:

- Block the bottom ventilation slots by placing the display on a bed, sofa, rug, etc.
- Place the display in a built-in enclosure unless proper ventilation is provided.
- Cover the openings with cloth or other material.
- Place the display near or over a radiator or heat source.

Do not rub or strike the Active Matrix LCD with anything hard as this may scratch, mar, or damage the Active Matrix LCD permanently.

Do not press the LCD screen with your finger for a long time as this may cause some afterimages.

Some dot defects may appear as Red, Green or Blue spots on the screen. However, this will have no impact or effect on the display performance.

If possible, use the recommended resolution to obtain the best image quality for your LCD display. If used under any mode except the recommended resolution, some scaled or processed images may appear on the screen. However, this is characteristic of the fixed-resolution LCD panel.

### On Cleaning

- Unplug the display before cleaning the face of the display screen.
- Use a slightly damp (not wet) cloth. Do not use an aerosol directly on the display screen because over-spraying may cause electrical shock.

### On Repacking

- Do not throw away the carton and packing materials. They make an ideal container in which to transport the unit. When shipping the unit to another location, repack it in its original material.

### On Disposal

- The fluorescent lamp used in this product contains a small amount of mercury.
- Do not dispose of this product with general household waste.  
Disposal of this product must be carried out in accordance to the regulations of your local authority.

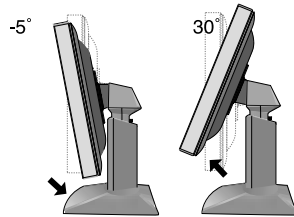
## Connecting the Display

- Before setting up the monitor, ensure that the power to the monitor, the computer system, and other attached devices is turned off.

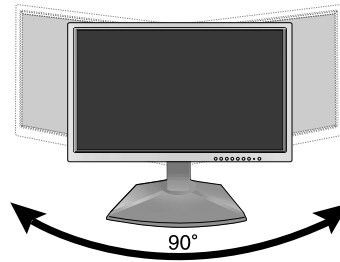
### Positioning your display

1. Adjust the position of the panel in various ways for maximum comfort.

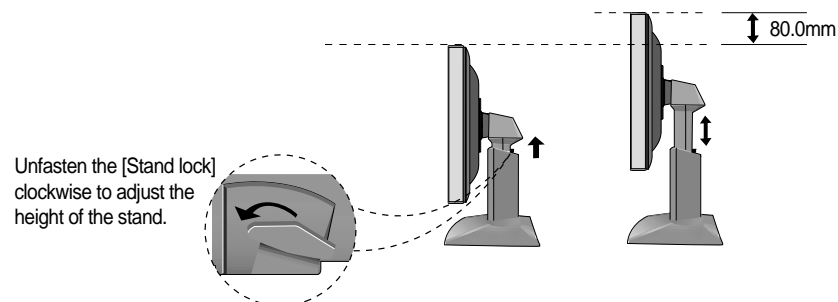
- Tilt Range :  $-5^{\circ} \sim 30^{\circ}$



- Swivel :  $90^{\circ}$



- Height Range : maximum 3.15 inch (80.0mm)



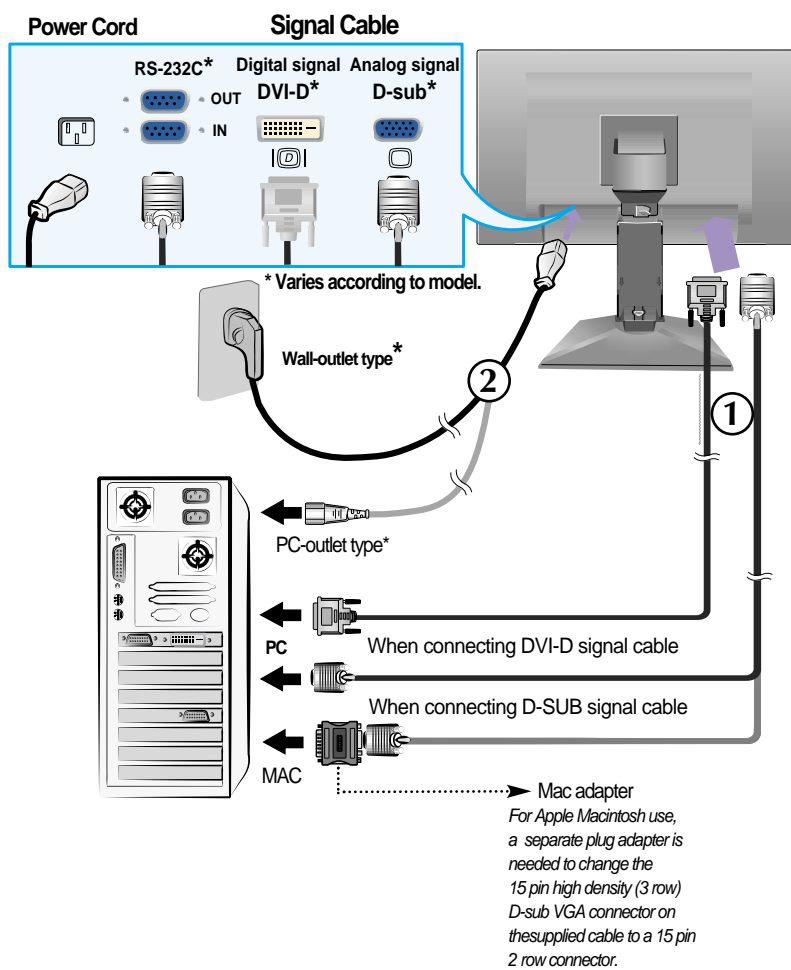
### Ergonomic

It is recommended that in order to maintain an ergonomic and comfortable viewing position, the forward tilt angle of the monitor should not exceed 5 degrees.

## Connecting the Display

### Using the Computer

1. Place the monitor in a convenient, well-ventilated location near your computer.  
To adjust height of your monitor, unlock the stand lock on top of the stand.
2. Connect the signal cable. When attached, tighten the thumbscrews to secure the connection.
3. Connect the power cord into a proper power outlet that is easily accessible and close to the display.



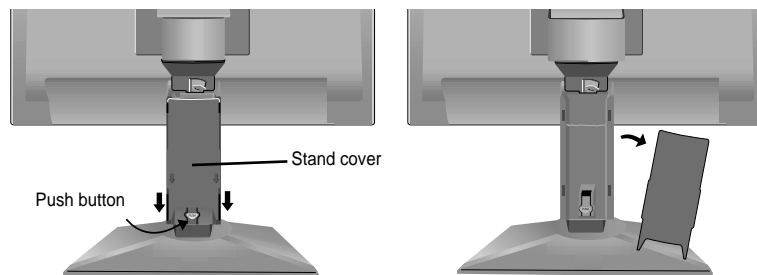
#### NOTE

- This is a simplified representation of the rear view.
- This rear view represents a general model; your display may differ from the view as shown.

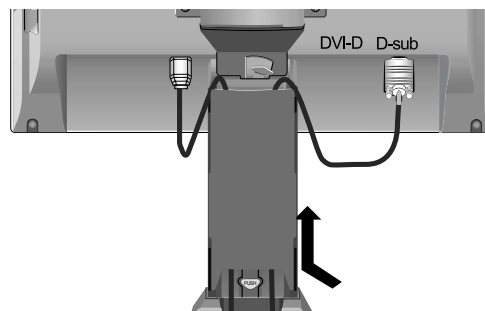
## Connecting the Display

### To arrange cables in order

1. Press the push button, and pull the stand cover down to separate it from the stand.

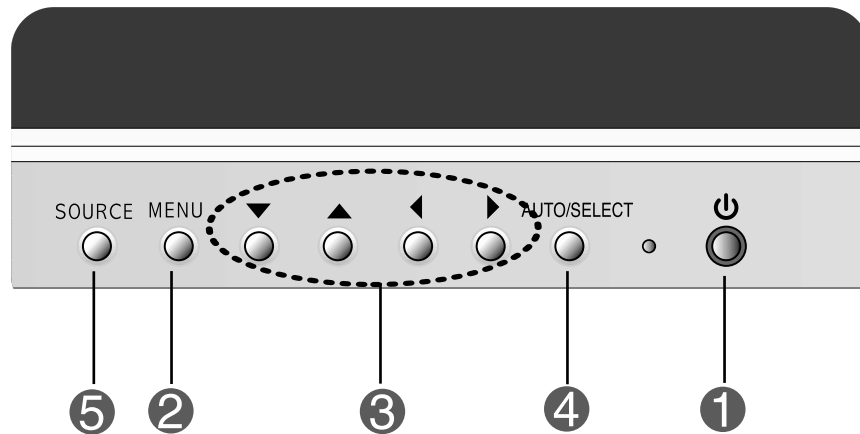


2. After connecting cables, put the stand cover correctly into the holes on the stand. If securely connected, you can hear the click sound from the latch.



## Control Panel Functions

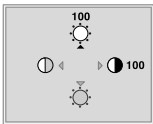




### Front Panel Controls



Control	Function
<b>1</b> Power Button	Use this button to turn the display on or off.
Power (DPMS) Indicator	This Indicator lights up green when the display operates normally. If the display is in DPM (Energy Saving) mode, this indicator color changes to amber.
<b>2</b> MENU Button	Use this button to enter or exit the On Screen Display.
<b>3</b> ▼▲◀▶ Buttons	Use these buttons to choose or adjust items in the On Screen Display.
<b>4</b> AUTO/SELECT Button	Use this button to enter a selection in the On Screen Display.



## Control Panel Functions

Control	Direct Access Function
	<p><b>3</b> ▼▲◀▶</p> <p>Bring up Contrast and Brightness adjustment.</p>
	<p><b>4</b> <b>AUTO adjustment function</b></p> <p>When adjusting your display settings, always press the <b>AUTO/SELECT</b> button before entering the On Screen Display(OSD). This will automatically adjust your display image to the ideal settings for the current screen resolution size (display mode).</p> <p>The best display mode is L2300B monitor : <b>1920x1200@60Hz</b> L2300C monitor : <b>1360x768@60Hz</b></p>
	<p><b>5</b> <b>SOURCE Selection:</b> <b>SOURCE</b>                      <b>AUTO/SELECT</b></p> <p>Use this button to make DVI DIGITAL, DSUB ANALOG connector active. This feature is used when two computers are connected to the display. The default setting is Dsub.</p> <ul style="list-style-type: none"><li>• DVI DIGITAL</li><li>• DSUB ANALOG</li></ul>
 	<p><b>CONTROLS LOCKED/UNLOCKED:</b> <b>MENU and ▶</b></p> <p>This function allows you to secure the current control settings, so that they cannot be inadvertently changed. Press and hold the MENU button and ▶ button for 5 seconds: the message “<b>CONTROLS LOCKED</b>” appears. You can unlock the OSD controls at any time by pushing the MENU button and ▶ button for 5 seconds: the message “<b>CONTROLS UNLOCKED</b>” will appear.</p>

## On Screen Display (OSD) Control Adjustment

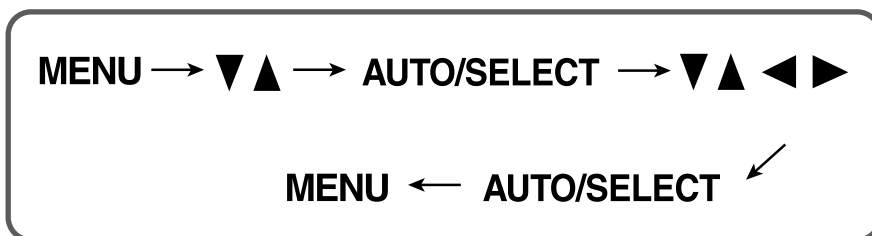
### Screen Adjustment

Making adjustments to the image size, position and operating parameters of the display is quick and easy with the On Screen Display Control system. A short example is given below to familiarize you with the use of the controls. The following section is an outline of the available adjustments and selections you can make using the OSD.

#### NOTE

- Allow the display to stabilize for at least 30 minutes before making image adjustments.

To make adjustments in the On Screen Display, follow these steps:



- 1 Press the **MENU Button**, then the main menu of the OSD appears.
- 2 To access a control, use the ▼ or ▲ **Buttons**. When the icon you want becomes highlighted, press the **AUTO/SELECT Button**.
- 3 Use the ▼ ▲ ◀ ▶ **Buttons** to adjust the item to the desired level.
- 4 Accept the changes by pressing the **AUTO/SELECT Button**.
- 5 Exit the OSD by pressing the **MENU Button**.

## On Screen Display(OSD) Selection and Adjustment

The following table indicates all the On Screen Display control, adjustment, and setting menus.

Main menu	Sub menu	A	D	Reference
CONTRAST/ BRIGHTNESS	CONTRAST	●	●	To adjust the brightness and contrast of the screen
	BRIGHTNESS	●	●	
COLOR ADJUSTMENT	USER(R/G/B)	●	●	To customize the color of the screen
	9300K	●	●	
	6500K	●	●	
IMAGE POSITION	H POSITION	●		To adjust the position of the screen
	V POSITION	●		
TRACKING	AUTO	●		To improve the clarity and stability of the screen
	CLOCK	●		
	PHASE	●		
SETUP	LANGUAGE	●	●	To customize the screen status for a user's operating environment
	IMAGE SIZE	●	●	
	TRANSPARENCY	●	●	
	ZOOM	●	●	
	SET ID	●	●	
OSD POSITION	HORIZONTAL	●	●	To adjust position of the OSD window on the screen
	VERTICAL	●	●	
● : Adjustable A : Analog Input D : Digital Input				

### NOTE

- The order of icons may differ depending on the model (A9~A12).

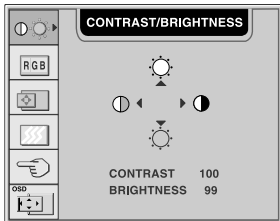
## On Screen Display(OSD) Selection and Adjustment

You were introduced to the procedure of selecting and adjusting an item using the OSD system. Listed below are the icons, icon names, and icon descriptions of the all items shown on the Menu.

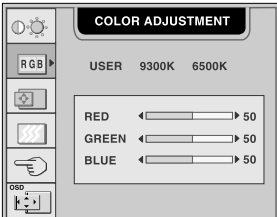
### NOTE

- OSD (On Screen Display) menu languages on the monitor may differ from the manual.

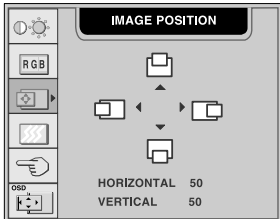
### To adjust the brightness and contrast of the screen

OSD Adjust	Description
	<p><b>CONTRAST</b> To adjust the contrast of the screen.</p> <p><b>BRIGHTNESS</b> To adjust the brightness of the screen.</p>

### To customize the color of the screen

OSD Adjust	Description
	<p><b>USER RED/GREEN/BLUE</b> Set your own color levels.</p> <p><b>9300K</b> Select the screen color.</p> <ul style="list-style-type: none"> <li>9300K: Slightly bluish white.</li> <li>6500K: Slightly reddish white.</li> </ul>

### To adjust the position of the screen

OSD Adjust	Description
	<p><b>Horizontal Position</b> To move image left and right.</p> <p><b>Vertical Position</b> To move image up and down.</p>

## On Screen Display(OSD) Selection and Adjustment

### To improve the clarity and stability of the screen

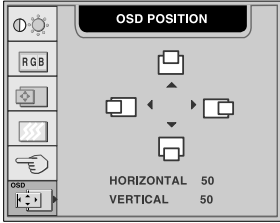
OSD Adjust	Description
	<p><b>AUTO</b> This function is suitable for analog signal input only. This button is for the automatic adjustment of the screen position, clock and phase.</p> <p><b>CLOCK</b> To minimize any vertical bars or stripes visible on the screen background. The horizontal screen size will also change.</p> <p><b>PHASE</b> To adjust the focus of the display. This item allows you to remove any horizontal noise and clear or sharpen the image of characters. <b>Phase</b> adjustment should be done after adjusting the <b>Clock</b>.</p>

### To customize the screen status for a user's operating environment

OSD Adjust	Description
	<p><b>LANGUAGE</b> To choose the language in which the control names are displayed.</p> <p><b>IMAGE SIZE</b> This function displays the image in its original size or enlarged size so as to fit in the full screen of the LCD panel.</p> <p><b>TRANSPARENCY</b> To adjust the transparency of the OSD menu screen.</p> <p><b>ZOOM</b> To adjust horizontal and vertical image size simultaneously. If you want to move the zooming point, use the H/V POSITION function in the sub-menu. However, if the monitor turns off when zooming in and out the screen, the monitor will be returned to original screen.</p> <p><b>SET ID</b> You can assign a unique SET ID NO (name assignment) to each monitor when several monitors are connected for display. Specify the number (0 ~ 99) using the ◀ ▶ button and exit. Use the assigned SET ID to individually control each monitor using the Monitor Control Program.</p>

# On Screen Display(OSD) Selection and Adjustment

## To adjust position of the OSD window on the screen

OSD Adjust	Description
 <p>The screenshot shows the OSD POSITION menu. On the left is a vertical menu with icons for Power, RGB, Contrast, Brightness, and OSD. The OSD icon is highlighted. The main area shows a central square with four arrows pointing up, down, left, and right. Below this are the labels 'HORIZONTAL 50' and 'VERTICAL 50'.</p>	<p><b>Horizontal Position</b> To adjust horizontal position of the OSD window on the screen.</p> <p><b>Vertical Position</b> To adjust vertical position of the OSD window on the screen.</p>

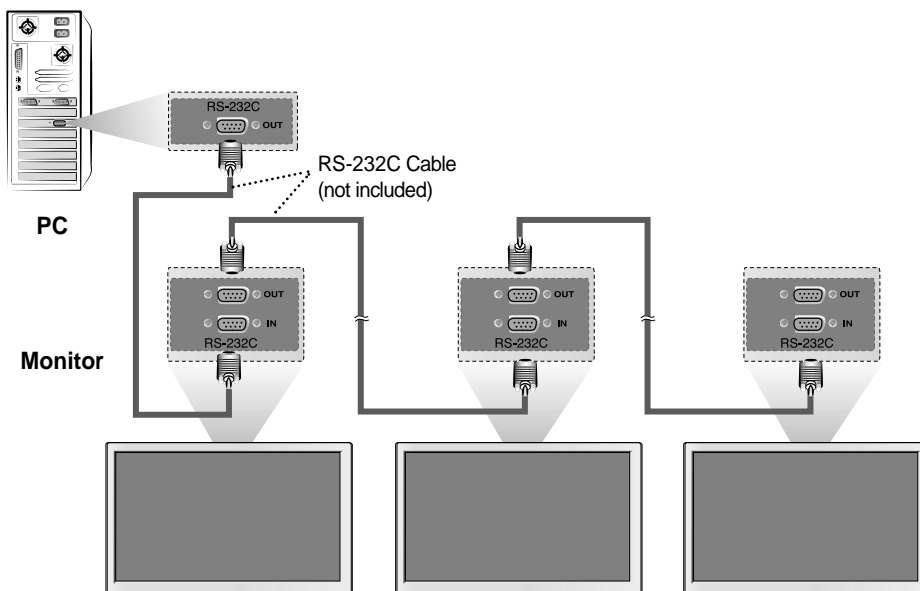
## Controlling the Multiple Monitors

Use this method to connect several monitors to a single PC.  
You can control several monitors at a time by connecting them to a single PC.

### ● Connecting the cable

Connect the RS-232C cable as shown in the picture.

\* The RS-232C protocol is used for communication between the PC and monitor.  
You can turn the monitor on/off, select an input source or adjust the OSD menu from your PC.



### ● Communication Parameter

Baud Rate : 9600bps  
Data Length : 8bits  
Parity Bit : NONE  
Stop Bit : 1bit  
Flow Control : NONE

## Controlling the Multiple Monitors

### Command Reference List

	COMMAND1	COMMAND2	DATA(Hexa)
01. Power	k	a	0, 1
02. Input Select	k	b	6, 8
03. Image Size (*L2300C)	k	c	1, 6
Image Size (*L2300B)	k	c	2, 6
04. Contrast	k	g	0 - 64
05. Brightness	k	h	0 - 64
06. Key Lock	k	m	0, 1
07. Color	k	u	0, 2

### Transmission / Receiving Protocol

#### Transmission

[Command1][Command2][ ][Set ID][ ][Data][Cr]

- \* [Command 1]: First command.
- \* [Command 2]: Second command.
- \* [Set ID]: You can adjust the set ID to choose desired monitor ID number in Setup menu. Adjustment range is 0~ 99. When selecting Set ID '0', every connected monitor set is controlled. Set ID is indicated as decimal (0~99) on menu and as Hexa decimal (0x0~0x63) on transmission/receiving protocol.
- \* [DATA]: To transmit command data.  
Transmit 'FF' data to read status of command.
- \* [Cr]: Carriage Return  
ASCII code '0x0D'
- \* [ ]: ASCII code Space (0x20)

#### OK Acknowledgement

[Command2][ ][Set ID][ ][OK][Data][x]

- \* The Monitor transmits ACK (acknowledgement) based on this format when receiving normal data. At this time, if the data is data read mode, it indicates present status data. If the data is data write mode, it returns the data of the PC computer.

#### Error Acknowledgement

[Command2][ ][Set ID][ ][NG][Data][x]

- \* The Monitor transmits ACK (acknowledgement) based on this format when receiving abnormal data from non-viable functions or communication errors.

- Data 1: Illegal Code  
 2: Not supported function  
 3: Wait more time



## Controlling the Multiple Monitors

### ● Transmission / Receiving Protocol

#### Power On (Command:a)

To control Power On/Off of the monitor.

##### Transmission

[k][a][ ][Set ID][ ][Data][Cr]

Data 0 : Power Off      1 : Power On

##### Acknowledgement

[a][ ][Set ID][ ][OK][Data][x]

To show Power On/Off.

##### Transmission

[k][a][ ][Set ID][ ][FF][Cr]

Data 0 : Power Off      1 : Power On

##### Acknowledgement

[a][ ][Set ID][ ][OK][Data][x]

#### Input Select (Command:b) (Main Picture Input)

To select input source for the monitor.

You can also select an input source using the front panel controls on the monitor.

##### Transmission

[k][b][ ][Set ID][ ][Data][Cr]

Data 6 : DSUB ANALOG

8 : DVI DIGITAL

##### Acknowledgement

[b][ ][Set ID][ ][OK][Data][x]

#### Size(Command:c)

To adjust the screen format.

You can also adjust the screen format in the

Setup menu.

##### Transmission

[k][c][ ][Set ID][ ][Data][Cr]

\* L2300C - Data 1 : full

6 : (1 : 1)

\* L2300B - Data 2 : full

6 : (1 : 1)

##### Acknowledgement

[c][ ][Set ID][ ][OK][Data][x]

## Controlling the Multiple Monitors

### ● Transmission / Receiving Protocol

#### **Contrast (Command:g)**

To adjust screen contrast.

You can also adjust contrast in the Contrast/Brightness menu.

#### Transmission

[k][g][ ][Set ID][ ][Data][Cr]

Data Min : 0 ~ Max : 64

Refer to 'Real data mapping' as shown below.

#### Acknowledgement

[g][ ][Set ID][ ][OK][Data][x]

\* Real data mapping

0 : Step 0

⋮

A : Step 10 (SET ID 10)

⋮

F : Step 15 (SET ID 15)

10 : Step 16 (SET ID 16)

⋮

64 : Step 100

#### **Brightness (Command:h)**

To adjust screen brightness.

You can also adjust brightness in the Contrast/Brightness menu.

#### Transmission

[k][h][ ][Set ID][ ][Data][Cr]

Data Min : 0 ~ Max : 64

Refer to 'Real data mapping' as shown below.

#### Acknowledgement

[h][ ][Set ID][ ][OK][Data][x]

\* Real data mapping

0 : Step 0

⋮

A : Step 10 (SET ID 10)

⋮

F : Step 15 (SET ID 15)

10 : Step 16 (SET ID 16)

⋮

64 : Step 100

## Controlling the Multiple Monitors

### ● Transmission / Receiving Protocol

#### **Key Lock (Command:m)**

To lock the front panel controls on the monitor.

##### *Transmission*

```
[k][m][ ][Set ID][ ][Data][Cr]
```

Data 0 : Lock off            1 : Lock on

##### *Acknowledgement*

```
[m][ ][Set ID][ ][OK][Data][x]
```

If you're not using the front panel controls on the monitor, use this mode.

#### **Color (Command:U)**

To adjust the screen color.

You can also adjust color in the Color adjustment menu.

##### *Transmission*

```
[k][u][ ][Set ID][ ][Data][Cr]
```

Data 0 : 9300K  
2 : 6500K

##### *Acknowledgement*

```
[u][ ][Set ID][ ][OK][Data][x]
```

## Troubleshooting

Check the following before calling for service.

No image appears	
<p>⚠ Is the power cord of the display connected?</p>	<ul style="list-style-type: none"> <li>• Check and see if the power cord is connected properly to the power outlet.</li> </ul>
<p>⚠ Is the power indicator light on?</p>	<ul style="list-style-type: none"> <li>• Press the Power button.</li> </ul>
<p>⚠ Is the power on and the power indicator green?</p>	<ul style="list-style-type: none"> <li>• Adjust the brightness and the contrast.</li> </ul>
<p>⚠ Is the power indicator amber?</p>	<ul style="list-style-type: none"> <li>• If the display is in power saving mode, try moving the mouse or pressing any key on the keyboard to bring up the screen.</li> <li>• Make sure if the power is on.</li> <li>• Try to turn on the PC.</li> </ul>
<p>⚠ Do you see an "OUT OF RANGE" message on the screen?</p>	<ul style="list-style-type: none"> <li>• This message appears when the signal from the PC (video card) is out of horizontal or vertical frequency range of the display. See the 'Specifications' section of this manual and configure your display again.</li> </ul>
<p>⚠ Do you see a "CHECK SIGNAL CABLE" message on the screen?</p>	<ul style="list-style-type: none"> <li>• This message appears when the signal cable between your PC and your display is not connected. Check the signal cable and try again.</li> </ul>
Do you see a "CONTROLS LOCKED" message on the screen.	
<p>⚠ Do you see "CONTROLS LOCKED" when you push MENU button?</p>	<ul style="list-style-type: none"> <li>• You can secure the current control settings, so that they cannot be inadvertently changed. You can unlock the OSD controls at any time by pushing the <b>MENU</b> button and <b>▶</b> button for 5 seconds: the message "<b>CONTROLS UNLOCKED</b>" will appear.</li> </ul>

## Troubleshooting

Display image is incorrect	
⚠ Display Position is incorrect.	<ul style="list-style-type: none"><li>• Press the <b>AUTO/SELECT</b> button to automatically adjust your display image to the ideal setting. If the results are unsatisfactory, adjust the image position using the <b>H position and V position</b> icon in the on screen display.</li><li>• Check <b>Control Panel --&gt; Display --&gt; Settings</b> and see if the frequency or the resolution were changed. If yes, readjust the video card to the recommend resolution.</li></ul>
⚠ On the screen background, vertical bars or stripes are visible.	<ul style="list-style-type: none"><li>• Press the <b>AUTO/SELECT</b> button to automatically adjust your display image to the ideal setting. If the results are unsatisfactory, decrease the vertical bars or stripes using the <b>CLOCK</b> icon in the on screen display.</li></ul>
⚠ Any horizontal noise appearing in any image or characters are not clearly portrayed.	<ul style="list-style-type: none"><li>• Press the <b>AUTO/SELECT</b> button to automatically adjust your display image to the ideal setting. If the results are unsatisfactory, decrease the horizontal bars using the <b>PHASE</b> icon in the on screen display.</li><li>• Check <b>Control Panel --&gt; Display --&gt; Settings</b> and adjust the display to the recommended resolution or adjust the display image to the ideal setting. Set the color setting higher than 24 bits (true color).</li></ul>
⚠ The screen color is mono or abnormal.	<ul style="list-style-type: none"><li>• Check if the signal cable is properly connected and use a screwdriver to fasten if necessary.</li><li>• Make sure the video card is properly inserted in the slot.</li><li>• Set the color setting higher than 24 bits (true color) at <b>Control Panel - Settings</b>.</li></ul>
⚠ The screen blinks.	<ul style="list-style-type: none"><li>• Check if the screen is set to interlace mode and if yes, change it to the recommend resolution.</li><li>• Make sure the power voltage is high enough, It has to be hgher than <b>AC100-240V 50/60Hz</b>.</li></ul>

## Troubleshooting

### "IMAGE SIZE" function on OSD menu does not work.

㉔ "IMAGE SIZE" function on OSD menu does not work?

- **[L2300B]**

Check if the resolution is set as 1920x1200 or less than 512x360.

The optimal resolution is 1920x1200 and the image is fully displayed on the monitor and is not converted as 1:1 image size. If the resolution is less than 512x360, the image size is smaller than that of the OSD's and is also not converted as 1:1 image size.

- **[L2300C]**

Check if the resolution is set as 1360 x768 or less than 512x360.

The optimal resolution is 1360 x768 and the image is fully displayed on the monitor and is not converted as 1:1 image size. If the resolution is less than 512x360, the image size is smaller than that of the OSD's and is also not converted as 1:1 image size.

### Have you installed the display driver?

㉔ Have you installed the display driver?

- Be sure to install the display driver from the display driver CD (or diskette) that comes with your display. Or, you can also download the driver from our web site: <http://www.lge.com>.

㉔ Do you see an "Unrecognized monitor, Plug&Play (VESA DDC) monitor found" message?

- Make sure to check if the video card supports Plug&Play function.

<b>Display</b>	23 inches (58.4cm) Flat Panel Active matrix-TFT LCD Hard coating(3H), Anti-Glare 0.258 mm x 0.258mm	
<b>Sync Input</b>	<b>Horizontal Freq.</b>	D-Sub : 28 - 92kHz (Analog) DVI-D : 28 - 92kHz (Digital)
	<b>Vertical Freq.</b>	Analog :48 - 87Hz (Automatic) Digital : 57 - 63Hz (Automatic)
	<b>Input Form</b>	Separate TTL, Positive/Negative Composite TTL, Positive/Negative SOG (Sync On Green) Digital
<b>Video Input</b>	<b>Signal Input</b>	15 pin D-Sub Connector(Analog) DVI - D connector (Digital)
	<b>Input Form</b>	RGB Analog (0.7Vp-p/75ohm), Digital
<b>Resolution</b>	<b>Max</b>	D-SUB : Analog - VESA 1920 x 1200@60Hz DVI-D :Digital - VESA 1920 x 1200@60Hz
	<b>Recommend</b>	VESA 1920 x 1200@60Hz
<b>Plug&amp;Play</b>	DDC 2B	
<b>Power Consumption</b>	<b>Normal</b>	: 80W
	<b>Stand-by/Suspend</b>	≤ 2W
	<b>DPM Off</b>	≤ 2W
	<b>Soft Off</b>	≤ 2W
<b>Dimensions &amp;Weight (with tilt/ swivel stand)</b>	<b>Width</b>	57.9 cm / 22.79 inches
	<b>Height</b>	44.06 cm / 17.35 inches(Min) 52.06 cm / 20.49 inches(Max)
	<b>Depth</b>	23.81 cm / 9.37 inches
	<b>Net</b>	10.4 kg(22.92 lbs)
<b>Tilt/Swivel Range</b>	<b>Tilt range</b>	-5° ~ 30°
	<b>Swivel range</b>	90°
	<b>Height range</b>	80mm / 3.15 inches
<b>Power Input</b>	AC 100-240V~ 50/60Hz 1.0A	
<b>Environmental Conditions</b>	<b>Operating Conditions</b>	
	<b>Temperature</b>	10°C to 35 °C
	<b>Humidity</b>	10 % to 80 % non-Condensing
	<b>Storage Conditions</b>	
<b>Temperature</b>	-20°C to 60 °C	
<b>Humidity</b>	5 % to 95 % non-Condensing	

<b>Display</b>	23 inches (582.96cm) Flat Panel Active matrix-TFT LCD Hard coating(3H), Anti-Glare 0.375 mm x 0.124mm x RGB	
<b>Sync Input</b>	<b>Horizontal Freq.</b>	D-Sub : 30 - 83kHz (Analog) DVI-D : 30 - 72kHz (Digital)
	<b>Vertical Freq.</b>	Analog : 56 - 85Hz (Automatic) Digital : 56 - 85Hz (Automatic)
	<b>Input Form</b>	Separate TTL, Positive/Negative Composite TTL, Positive/Negative SOG (Sync On Green) Digital
<b>Video Input</b>	<b>Signal Input</b>	15 pin D-Sub Connector(Analog) DVI - D connector (Digital)
	<b>Input Form</b>	RGB Analog (0.7Vp-p/75ohm), Digital
<b>Resolution</b>	<b>Max</b>	D-SUB : Analog - VESA 1600 x 1200@60Hz DVI-D : Digital - VESA 1360 x 768@60Hz
	<b>Recommend</b>	VESA 1360x 768@60Hz
<b>Plug&amp;Play</b>	DDC 2B	
<b>Power Consumption</b>	<b>Normal</b>	: 90W
	<b>Stand-by/Suspend</b>	≤ 2W
	<b>DPM Off</b>	≤ 2W
	<b>Soft Off</b>	≤ 2W
<b>Dimensions &amp; Weight (with tilt/ swivel stand)</b>	<b>Width</b>	57.9 cm / 22.79 inches
	<b>Height</b>	44.06 cm / 17.35 inches(Min) 52.06 cm / 20.49 inches(Max)
	<b>Depth</b>	23.81 cm / 9.37 inches
	<b>Net</b>	11.6 kg(25.57 lbs)
<b>Tilt/Swivel Range</b>	<b>Tilt range</b>	-5° ~ 30°
	<b>Swivel range</b>	90°
	<b>Height range</b>	80mm / 3.15 inches
<b>Power Input</b>	AC 100-240V~ 50/60Hz 1.0A	
<b>Environmental Conditions</b>	<b>Operating Conditions</b>	
	<b>Temperature</b>	10°C to 35 °C
	<b>Humidity</b>	10 % to 80 % non-Condensing
	<b>Storage Conditions</b>	
<b>Temperature</b>	-20°C to 60 °C	
<b>Humidity</b>	5 % to 95 % non-Condensing	



## Specifications

<b>Tilt/Swivel Stand</b>	Attached( O ), Detached ( )
<b>Signal cable</b>	Attached( O ), Detached ( )
<b>Power cord</b>	Wall-outlet type or PC-outlet type

### NOTE

- Information in this document is subject to change without notice.

## Specifications

### Preset Modes (Resolution)

#### 吋 2300B monitor

	Display Modes (Resolution)	Horizontal Freq. (kHz)	Vertical Freq. (Hz)
1	640 x 480	31.47	60
2	800 x 600	37.88	60
3	1024 x 768	48.36	60
4	1280 x 1024	63.98	60.02
5	1600 x 1200	75.00	60
6	1920 x 1200	74.04	60
7	1152 x 900	61.80	65.96
8	640 x 350	31.47	70
9	720 x 400	31.47	70
10	640 x 480	37.50	75
11	800 x 600	46.88	75
12	832 x 624	49.72	75
13	1024 x 768	60.12	75
14	1152 x 870	68.68	75
15	1280 x 1024	79.98	75.02
16	640 x 480	43.27	85
17	800 x 600	53.67	85
18	1024 x 768	68.68	85

D-Sub : Mode 1 ~ Mode 18

DVI-D : Mode 1 ~ Mode 6

#### 吋 2300C monitor

	Display Modes (Resolution)	Horizontal Freq. (kHz)	Vertical Freq. (Hz)
1	640 x 350	31.47	70
2	720 x 400	31.47	70
3	640 x 480	31.47	60
4	640 x 480	37.50	75
5	640 x 480	43.27	85
6	800 x 600	37.88	60
7	800 x 600	46.88	75
8	800 x 600	53.67	85
9	832 x 624	49.73	75
10	1024 x 768	48.36	60
11	1024 x 768	60.12	75
12	1024 x 768	68.68	85
13	1280 x 720	44.78	60
14	1360 x 768	47.72	60
15	1280 x 1024	63.98	60
16	1280 x 1024	79.98	75
17	1600 x 1200	75.00	60

D-Sub : Mode 1 ~ Mode 17

DVI-D : Mode 1 ~ Mode 14

## Specifications

### Indicator

MODE	LED Color
Normal	green
Stand-by/Suspend	amber
DPMS Off	amber

#### VESA wall mounting

Connected to another object (stand type and wall-mounted type). This monitor accepts a VESA-compliant mounting interface pad. - **optional**  
For further information, refer to the VESA Wall Mounting Instruction Guide.

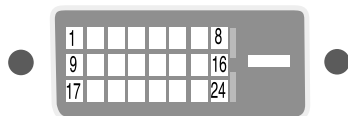


#### Kensington Security Slot- optional

Connected to a locking cable that can be purchased separately at most computer stores

# Specifications

## Signal Connector Pin Assignment



### ■ DVI-D Connector

Pin	Signal(DVI-D)	Pin	Signal(DVI-D)
1	T. M. D. S. Data2-	16	Hot Plug Detect
2	T. M. D. S. Data2+	17	T. M. D. S. Data0-
3	T. M. D. S. Data2/4 Shield	18	T. M. D. S. Data0+
4	T. M. D. S. Data4-	19	T. M. D. S. Data0/5 Shield
5	T. M. D. S. Data4+	20	T. M. D. S. Data5-
6	DDC Clock	21	T. M. D. S. Data5+
7	DDC Data	22	T. M. D. S. Clock Shield
8	Analog Vertical Sync.	23	T. M. D. S. Clock+
9	T. M. D. S. Data1-	24	T. M. D. S. Clock-
10	T. M. D. S. Data1+		
11	T. M. D. S. Data1/3 Shield		
12	T. M. D. S. Data3-		
13	T. M. D. S. Data3+		
14	+5V Power		
15	Ground (return for +5V, H. Sync. and V. Sync.)		

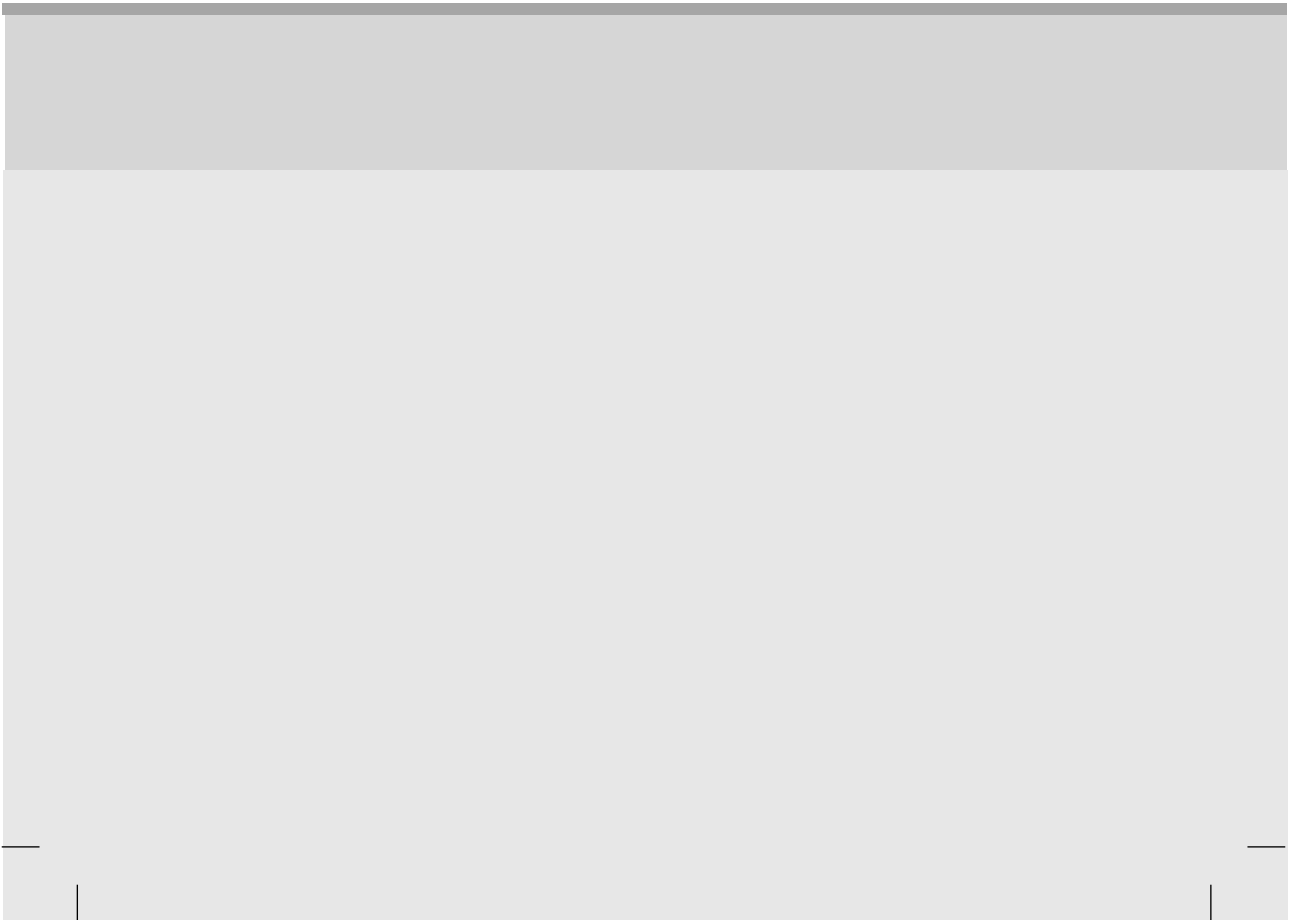
T. M. D. S. (Transition Minimized Differential Signaling)





# Regulatory information

## Regulatory information



■■■ Regulatory Information cont.

**:: FCC Compliance Statement**

This equipment has been tested and found to comply within the limits of a Class B digital device pursuant to Part 15 of the FCC Rules. These limits are designed to provide reasonable protection against harmful interference in a residential installation.

This equipment generates, uses, and can radiate radio frequency energy and if not installed and used in accordance with the instructions, may cause harmful interference to radio communications. However, there is no guarantee that interference will not occur in a particular installation.

If this equipment does cause harmful interference to radio or television reception (which can be determined by turning the equipment on and off), the user is encouraged to try to correct the interference by using one or more of the following measures:

- Reorient or relocate the receiving antenna.
- Increase the separation between the equipment and the receiver.
- Connect the equipment into an outlet on a circuit different from that to which the receiver is connected.
- Consult the dealer or an experienced radio/TV technician for help.

Caution: Changes or modifications not expressly approved by the party responsible for compliance could void the user's (or your) authority to operate the equipment. Only peripherals (digital input/output devices, terminals, printers, etc.) certified to comply with the Class B limits may be attached to this monitor. Operation with non-certified peripherals is likely to result in interference to radio and TV reception. Only shielded signal cables may be used with this System.

NOTICE

The regulations are applied only to the products with the ID LABEL indicating specific requirements.

**:: Canadian DOC Notice**

This Class B digital apparatus meets all requirements of the Canadian Interference-Causing Equipment Regulations. Cet appareil numérique de la classe B

respecte toutes les exigences du Règlement sur le matériel brouilleur du Canada.

NOTICE

The regulations are applied only to the products with the ID LABEL indicating specific requirements.

**:: CE Conformity Notice (for Europe)**

Products with the "CE" Marking comply with the EMC Directive(89/336/EEC) and LOW VOLTAGE Directive (73/23/EEC) issued by the Commission of the European Community.

Compliance with these directives implies conformity to the following European Norms :

- EN 55022 ; Radio Frequency Interference
- EN 50082-1:1992 ; Electromagnetic Immunity
- EN 60555-2 ; Power Line Harmonics
- EN 60555-3 ; Voltage Fluctuations
- EN 60950 ; Product Safety

NOTICE

The regulations are applied only to the products with the ID LABEL indicating specific requirements.

**:: Low Radiation Compliance (MPR II)**

This monitor meets one of the strictest guidelines available today for low radiation emissions, offering the user extra shielding and an antistatic screen coating. These guidelines, set forth by a government agency in Sweden, limit the amount of emission allowed in the Extremely Low Frequency (ELF) and Very Low Frequency (VLF) electromagnetic range.

**:: TCO95 (TCO95 applied model only)**



**Congratulations!**

You have just purchased a TCO'95 approved and labelled product! Your choice has provided you with a product developed for professional use. Your purchase has also contributed to reducing the burden on the environment and to the further development of environmentally-adapted electronic products.

## ■ ■ ■ Regulatory Information cont.

### Why do we have environmentally labelled computers?

In many countries, environmental labelling has become an established method for encouraging the adaptation of goods and services to the environment. The main problem as far as computers and other electronic equipment are concerned is that environmentally harmful substances are used both in the products and during their manufacture. Since it has not been possible so far for the majority of electronic equipment to be recycled in a satisfactory way, most of these potentially damaging substances sooner or later enter Nature.

There are also other characteristics of a computer, such as energy consumption levels, that are important from both the working and natural environment viewpoints. Since all types of conventional electricity generation have a negative effect on the environment (acidic- and climatic-influencing emissions, radioactive waste, etc.), it is vital to conserve energy. Electronic equipment in offices consumes an enormous amount of energy, since it is often routinely left running continuously.

### What does the environmental labelling involve?

This product meets the requirements for the TCO'95 scheme, which provides for international environmental labelling of personal computers. The labelling scheme was developed as a joint effort by the TCO (The Swedish Confederation of Professional Employees), Naturkyddsforeningen (The Swedish Society for Nature Conservation), and NUTEK (The National Board for Industrial and Technical Development in Sweden), and SEMKO AB (an international certification agency).

The requirements cover a wide range of issues: environment, ergonomics, usability, emission of electrical and magnetic fields, energy consumption and electrical and fire safety.

The environmental demands concern, among other things, restriction on the presence and use of heavy metals, brominated and chlorinated flame retardants, CFCs (freons), and chlorinated solvents. The product must be prepared for recycling, and the manufacturer is obliged to have an environmental plan, which must be adhered to in each country where the company implements its operational policy.

The energy requirements include a demand that the

computer and/or display, after a certain period of inactivity, shall reduce its power consumption to a lower level, in one or more stages. The length of time to reactivate the computer shall be reasonable for the user.

Labelled products must meet strict environmental demands, for example, in respect of the reduction of electric and magnetic fields, along with physical and visual ergonomics and good usability.

The following is a brief summary of the environmental requirements met by this product. The complete environmental criteria document may be ordered from:

TCO Development Unit  
Linnegatan 14, S-11494 Stockholm, Sweden  
FAX +46-8 782 92 07  
E-mail (Internet): [development@tco.se](mailto:development@tco.se)

Current information regarding TCO'95 approved and labelled products may also be obtained on the Internet using the address: <http://www.tco-info.com/>

TCO'95 is a co-operative project between:



Naturkydds  
foreningen



NUTEK

SEMKO

Närings- och teknikutvecklingsverket

### Environmental requirements

Brominated flame retardants are present in printed circuit boards, cabling, casings, and housings, and are added to delay the spread of fire. Up to 30% of the plastic in a computer casing can consist of flame-retardant substances. These are related to another group of environmental toxins, PCBs, and are suspected of giving rise to similar harm, including reproductive damage in fish-eating birds and mammals. Flame retardants have been found in human blood, and researchers fear that they can disturb fetus development.

Bio-accumulative<sup>1</sup> TCO'95 demands require that plastic components weighing more than 25 grams must not contain flame retardants with organically bound chlorine or bromine.

Lead can be found in picture tubes, display screens, solder, and capacitors. Lead damages the nervous system and in higher doses causes lead poisoning. The



## ■ ■ ■ Regulatory Information cont.

relevant bio-accumulative TCO'95 requirement permits the inclusion of lead, as no replacement has yet been developed.

Cadmium is present in rechargeable batteries and in the color-generating layers of certain computer displays. Cadmium damages the nervous system and is toxic in high doses. The relevant bio-accumulative TCO'95 requirement states that batteries may not contain more than 25 ppm (parts per million) of cadmium. The color-generating layers of display screens must not contain any cadmium.

Mercury is sometimes found in batteries, relays and switches. Mercury damages the nervous system and is toxic in high doses. The relevant bio-accumulative TCO'95 requirement states that batteries may not contain more than 25 ppm of mercury and that no mercury is present in any of the electrical or electronic components concerned with the display unit.

CFCs (freons) are sometimes used for washing printed circuit boards and in the manufacture of expanded foam for packaging. CFCs break down ozone and thereby damage the ozone layer in the atmosphere, causing increased reception on Earth of ultra-violet light with consequent increased risks of skin cancer (malignant melanoma). The relevant TCO'95 requirement: Neither CFCs nor HCFCs may be used during the manufacture of the product or its packaging.

<sup>1</sup> Bio-accumulative means that the substance accumulates within living organisms.

### Shipping Package

The packaging material can be recycled, or you can save it to return the monitor to a service center for repair or disposal.

### CFC Compounds in Distribution Packaging

Cushioning material used for shipping finished monitors are not manufactured with nor do they contain any CFC compounds.

### Design for Disassembly/Recycling

These monitors have been designed for easy end-of-life disassembly and recycling. Fasteners are generally of the same type for efficient disassembly. Components made of different materials can be easily separated and plastics have been identified using international symbols to aid in recycling.

### Monitor Disposal

#### WARNING

If you need to dispose of a monitor, ask a qualified service representative for the proper procedure. Improper disposal could result in personal injury from implosion.

:: **TCO'99** (TCO'99 applied model only)



### Congratulations!

You have just purchased a TCO'99 approved and labelled product! Your choice has provided you with a product developed for professional use. Your purchase has also contributed to reducing the burden on the environment and also to the further development of environmentally adapted electronics products.

### Why do we have environmentally labelled computers?

In many countries, environmental labelling has become an established method for encouraging the adaptation of goods and services to the environment. With the growing manufacture and usage of electronic equipment throughout the world, there is a recognized concern for the materials and substances used by electronic products with regards to their eventual recycling and disposal. By proper selection of these materials and substances, the impact on the environment can be minimized.

There are also other characteristics of a computer, such as energy consumption levels, that are important from the viewpoints of both the work (internal) and natural (external) environments. Electronic equipment in offices is often left running continuously, resulting in unnecessary consumption of large amounts of energy and additional power generation. From the standpoint of carbon dioxide emissions alone, it is vital to save energy.

### What does labelling involve?

The product meets the requirements for the TCO'99 scheme which provides for international and environmental labelling of personal computers and/or displays.

The labelling scheme was developed as a joint effort by the TCO (The Swedish Confederation of Professional Employees), Svenska Naturskyddsforeningen (The Swedish Society for Nature Conservation) and Statens Energimyndighet (The Swedish National Energy Administration).

## ■■■ Regulatory Information cont.

Approval requirements cover a wide range of issues: ecology, ergonomics, emission of electrical and magnetical fields, energy consumption and electrical safety.

Ecological criteria impose restrictions on the presence and use of heavy metals, brominated and chlorinated flame retardants, and other substances. The product must be prepared for recycling and the manufacturing site(s) shall be certified according to ISO14001 or EMAS registered.

Energy requirements include a demand that the system unit and/or display, after a certain period of inactivity, shall reduce its power consumption to a lower level in one or more stages. The length of time to reactivate the system unit shall be reasonable for the user.

Labelled products must meet strict environmental demands, for example, in respect of the reduction of electrical and magnetical fields as well as work load and visual ergonomics.

Below you will find a brief summary of the ecological requirements met by this product. The complete ecological criteria document can be found at TCO Development's website <http://www.tcodevelopment.com> or may be ordered from:

**TCO Development**  
SE-114 94 STOCKHOLM, Sweden  
Fax: +46 8 782 92 07  
Email : [development@tco.se](mailto:development@tco.se)  
Information regarding TCO'99 approved and labelled products may also be obtained at <http://www.tcodevelopment.com>

### Ecological requirements

#### Flame retardants

Flame retardants may be present in printed wiring board laminates, cables, and housings. Their purpose is to prevent, or at least to delay the spread of fire. Up to 30% by weight of the plastic in a computer casing can consist of flame retardant substances. Many flame retardants contain bromine or chlorine, and these flame retardants are chemically related to PCBs (polychlorinated biphenyls). Both the flame retardants containing bromine or chlorine and the PCBs are suspected of giving rise to health effects, including reproductive damage in fish-eating birds and mammals, due to the bio-accumulative\* processes when not disposed of in accordance with strict standards for disposal.

TCO'99 requires that plastic components weighing more than 25 grams shall not contain flame retardants with organically bound bromine or chlorine. Flame retardants are allowed in the printed wiring board laminates due to the lack of commercially available alternatives.

#### Cadmium\*\*

Cadmium is present in rechargeable batteries and in the colour-generating layers of certain computer displays. TCO'99 requires that batteries, the colour-generating layers of display screens, and the electrical or electronics components shall not contain any cadmium.

#### Mercury\*\*

Mercury is sometimes found in batteries, relays and switches. TCO'99 requires that batteries shall not contain any mercury. It also demands that mercury is not present in any of the electrical or electronics components associated with the labelled unit. There is however one exception. Mercury is, for the time being, permitted in the back light system of flat panel monitors as there today is no commercially available alternative. TCO aims on removing this exception when a mercury free alternative is available.

#### Lead\*\*

Lead can be found in picture tubes, display screens, solders and capacitors. TCO'99 permits the use of lead due to the lack of commercially available alternatives, but in future requirements TCO Development aims at restricting the use of lead.

\* Bio-accumulative is defined as substances which accumulate in living organisms.

\*\*Lead, Cadmium and Mercury are heavy metals which are bio-accumulative.

## ■■■ Regulatory Information cont.

:: **TCO'03** (TCO'03 applied model only)



### **Congratulations!**

The display you have just purchased carries the TCO'03 Displays label.

This means that your display is designed, manufactured and tested according to some of the strictest quality and environmental requirements in the world. This makes for a high performance product, designed with the user in focus that also minimizes the impact on our natural environment. Some of the features of the TCO'03 Display requirements:

### **Ergonomics**

- Good visual ergonomics and image quality in order to improve the working environment for the user and to reduce sight and strain problems. Important parameters are luminance, contrast, resolution, reflectance, colour rendition and image stability.

### **Energy**

- Energy-saving mode after a certain time – beneficial both for the user and the environment
- Electrical safety

### **Emissions**

- Electromagnetic fields
- Noise emissions

### **Ecology**

- The product must be prepared for recycling and the manufacturer must have a certified environmental management system such as EMAS or ISO 14 001
- Restrictions on
  - chlorinated and brominated flame retardants and polymers
  - heavy metals such as cadmium, mercury and lead.

The requirements included in this label have been developed by TCO Development in co-operation with scientists, experts, users as well as manufacturers all over the world. Since the end of the 1980s TCO has been involved in influencing the development of IT equipment in a more user-friendly direction. Our labelling system started

with displays in 1992 and is now requested by users and IT-manufacturers all over the world.

For more information, please visit  
[www.tcodevelopment.com](http://www.tcodevelopment.com)

## English

### **Information for Environmental Preservation**

LGE. announced the 'LG Declaration for a Cleaner Environment' in 1994, and this ideal has served as a guiding managerial principle ever since. The Declaration is a foundation that has allowed us to undertake environmentally friendly activities in careful consideration of economic, environmental, and social aspects.

We promote activities for environmental preservation, and we specifically develop our products to embrace the concept of environment-friendly.

We minimize the hazardous materials contained in our products. For example, there is no cadmium to be found in our monitors.

### **Information for recycling**

This monitor may contain parts which could be hazardous to the environment. It is important that this monitor be recycled after use.

LGE. handles all waste monitors through an environmentally acceptable recycling method. There are several take-back and recycling systems currently in operation worldwide. Many parts will be reused and recycled, while harmful substances and heavy metals are treated by an environmentally friendly method.

If you want to find out more information about our recycling program, please contact your local LG vendor or a corporate representative of LG.

We set our vision and policies on a cleaner world by selecting the issue of the global environment as a task for corporate improvement. Please visit our website for more information about our 'green' policies.

[http://www.lge.com/experience/social\\_commitment/environment.jsp](http://www.lge.com/experience/social_commitment/environment.jsp)

## ■ ■ ■ Regulatory Information cont.

### ■ ■ ■ Deutsch

#### Informationen zur Erhaltung der Umwelt

Im Jahr 1994 verkündete LGE die 'LG Declaration for a Cleaner Environment' (LG Erklärung für eine sauberere Umwelt). Seitdem dient dieses Ideal als führendes Prinzip des Unternehmens. Diese Erklärung war die Basis für die Durchführung von

umweltfreundlichen Aktivitäten, wobei wirtschaftliche, umweltbezogene und soziale Aspekte in die Überlegungen mit einbezogen wurden.

Wir fördern Aktivitäten zum Schutz der Umwelt und die Entwicklung unserer Produkte ist darauf ausgerichtet, unserem Konzept bezüglich Umweltfreundlichkeit gerecht zu werden.

Wir sind darauf bedacht, den Anteil der in unseren Produkten enthaltenen schädlichen Materialien zu minimieren. So ist in unseren Monitoren beispielsweise kein Kadmium zu finden.

#### Informationen zum Thema Recycling

Dieser Monitor enthält Teile, die umweltschädlich sein können. Es ist unbedingt erforderlich, dass der Monitor recycelt wird, nachdem er außer Dienst gestellt wurde.

Bei LGE werden alle ausrangierten Monitore in einem unter umweltbezogenen Aspekten geeigneten Verfahren recycelt. Augenblicklich sind weltweit mehrere Rücknahme- und Recyclingsysteme im Einsatz. Viele Teile werden wieder verwendet und recycelt. Schädliche Substanzen und Schwermetalle werden durch umweltverträgliche Verfahren behandelt.

Falls Sie mehr über unser Recyclingprogramm erfahren möchten, wenden Sie sich bitte an Ihren lokalen LG-Händler oder einen Unternehmensvertreter von LG.

Wir richten unsere Firmenpolitik auf eine sauberere Umwelt hin aus, indem wir umweltspezifische Aspekte als wichtigen Punkt in die Weiterentwicklung unseres Unternehmens einfließen lassen. Zusätzliche Informationen über unsere 'grüne' Firmenpolitik erhalten Sie auf unserer Website.

[http://www.lge.com/experience/social\\_commitment/environment.jsp](http://www.lge.com/experience/social_commitment/environment.jsp)

### ■ ■ ■ Français

#### Information sur la protection de l'environnement

LGE a publié sa 'Déclaration en faveur d'un

environnement plus propre' en 1994 et celle-ci est restée, depuis lors, un principe directeur de notre entreprise. Cette déclaration a servi de base à notre réflexion et nous a permis de prendre en compte à la fois les aspects économiques et sociaux de nos activités, tout en respectant l'environnement.

Nous encourageons les activités en faveur de la préservation de l'environnement et c'est dans cet esprit que nous développons nos produits : nous réduisons au minimum les matières dangereuses qui entrent dans leur composition et l'on ne trouve pas de cadmium, par exemple, dans nos moniteurs.

#### Information sur le recyclage

Ce moniteur peut contenir des composants qui présentent un risque pour l'environnement. Il est donc important que celui-ci soit recyclé après usage.

LGE traite les moniteurs en fin de cycle conformément à une méthode de recyclage respectueuse de l'environnement. Nous reprenons nos produits et les recyclons dans plusieurs sites répartis dans le monde entier. De nombreux composants sont réutilisés et recyclés, et les matières dangereuses, ainsi que les métaux lourds, sont traités selon un procédé écologique.

Si vous souhaitez plus de renseignements sur notre programme de recyclage, veuillez contacter votre revendeur LG ou un l'un de nos représentants.

Nous voulons agir pour un monde plus propre et croyons au rôle de notre entreprise dans l'amélioration de l'environnement. Pour plus de renseignements sur notre politique "verte", rendez visite à notre site :

[http://www.lge.com/experience/social\\_commitment/environment.jsp](http://www.lge.com/experience/social_commitment/environment.jsp)

### ■ ■ ■ Italiano

#### Informazioni per la tutela dell'ambiente

La LGE ha annunciato nel 1994 la cosiddetta 'LG Declaration for a Cleaner Environment' (Dichiarazione di LG a favore di un ambiente più pulito), un ideale che da allora funge da principio ispiratore della gestione aziendale. La dichiarazione rappresenta il fondamento che consente di intraprendere attività a favore dell'ambiente tenendo conto degli aspetti economici, ambientali e sociali.

## ■■■ Regulatory Information cont.

Noi della LG, promuoviamo attività a favore della tutela dell'ambiente sviluppando appositamente i nostri prodotti per cogliere il concetto del rispetto dell'ambiente riducendo i materiali dannosi presenti nei nostri prodotti. Ad esempio nei nostri monitor non è presente il cadmio.

### Informazioni per il riciclaggio

Il monitor può presentare componenti che potrebbero risultare eventualmente dannosi per l'ambiente. È importante che il monitor sia riciclato al termine del suo utilizzo.

La LGE gestisce tutti i monitor di rifiuto con un metodo di riciclaggio soddisfacente dal punto di vista ambientale. In tutto il mondo sono attualmente in funzione numerosi sistemi di riciclaggio e recupero. I diversi componenti sono riutilizzati e riciclati, mentre le sostanze dannose e i metalli pesanti vengono trattati con un metodo rispettoso dell'ambiente.

Se si desiderano maggiori informazioni in merito al programma di riciclaggio, è consigliabile rivolgersi al proprio rivenditore LG o ad un rappresentante aziendale della LG.

Noi della LG impostiamo la nostra visione e le nostre politiche a favore di un mondo più pulito ponendo la questione dell'ambiente dal punto di vista globale come una mansione rivolta al miglioramento della nostra azienda. Vi invitiamo a visitare il nostro sito internet per ulteriori informazioni sulla nostra politica "verde".

[http://www.lge.com/experience/social\\_commitment/environment.jsp](http://www.lge.com/experience/social_commitment/environment.jsp)

## ■■■ Español

### Información para la conservación medioambiental

LGE. presentó la 'Declaración para un entorno más limpio de LG' en 1994 y este ideal ha servido para guiar nuestros principios empresariales desde entonces. La Declaración es la base que nos ha permitido llevar a cabo tareas que respetan el medio ambiente siempre teniendo en cuenta aspectos sociales, económicos y medioambientales.

Promocionamos actividades orientadas a la conservación del medio ambiente y desarrollamos nuestros productos específicamente para que se ajusten a la filosofía que protege el entorno.

Reducimos al máximo el uso de materiales de riesgo en nuestros productos. Un ejemplo de ello es la ausencia total de cadmio en nuestros monitores.

### Información para el reciclaje

Este monitor puede contener piezas que entrañen riesgos medioambientales. Es importante reciclar este monitor después de su utilización.

LGE. trata todos los monitores usados siguiendo un método de reciclaje que no daña al entorno. Contamos con diversos sistemas de recuperación y reciclaje que funcionan a nivel mundial en la actualidad. Es posible reciclar y reutilizar muchas de las piezas, mientras que las sustancias dañinas y los metales pesados se tratan siguiendo un método que no perjudique al medio ambiente. Si desea obtener más información acerca del programa de reciclaje, póngase en contacto con su proveedor local de LG o con un representante empresarial de nuestra marca.

Basamos nuestra visión y nuestras políticas en un mundo más limpio y para ellos optamos por un entorno global como tarea principal de nuestra evolución como empresa. Visite nuestra página Web para obtener más información sobre nuestras políticas ecológicas.

[http://www.lge.com/experience/social\\_commitment/environment.jsp](http://www.lge.com/experience/social_commitment/environment.jsp)

## ■■■ Português

### Informações relacionadas à preservação ambiental

A LGE. anunciou a 'LG Declaration for a Cleaner Environment' (Declaração da LG para um ambiente mais limpo) em 1994 e esse ideal tem servido desde então como um princípio administrativo de orientação. A Declaração é a base que nos tem permitido realizar atividades favoráveis ao ambiente com consideração atenta aos aspectos econômicos, ambientais e sociais.

Promovemos atividades de preservação ambiental e desenvolvemos nossos produtos para englobar especificamente o conceito de favorável ao ambiente.

Reduzimos os materiais perigosos contidos em nossos produtos. Por exemplo, não há cádmio em nossos monitores.

## ■■■ Regulatory Information cont.

### Informações relacionadas à reciclagem

Este monitor pode conter peças que podem representar riscos ao ambiente. É importante que ele seja reciclado após o uso.

A LGE cuida de todos os monitores descartados através de um método de reciclagem agradável ao ambiente. Há vários sistemas de devolução e reciclagem atualmente em operação no mundo. Muitas peças serão reutilizadas e recicladas e as substâncias nocivas e os metais pesados passarão por tratamento através de um método favorável ao ambiente.

Para obter mais informações sobre nosso programa de reciclagem, entre em contato com seu fornecedor LG local ou com um representante corporativo da LG.

Definimos nossa visão e nossas políticas relacionadas a um mundo mais limpo selecionando a questão do ambiente global como uma tarefa de aprimoramento corporativo. Visite nosso site para obter mais informações sobre nossas políticas de meio ambiente.

[http://www.lge.com/experience/social\\_commitment/environment.jsp](http://www.lge.com/experience/social_commitment/environment.jsp)

### ■ ■ ■ Nederlands

#### Informatie met betrekking tot het behoud van het milieu

LGE publiceerde in 1994 de 'LG Declaration for a Cleaner Environment' (de LG-verklaring met betrekking tot een schoner milieu). Deze verklaring en het ideaal van een schoner milieu fungeren sindsdien als een bestuurlijke leidraad voor onze onderneming. Op basis van deze verklaring ontplooiën wij milieuvriendelijke activiteiten, waarbij er zowel met sociale en economische aspecten, als met milieuaspecten zorgvuldig rekening wordt gehouden.

Wij ondersteunen activiteiten die zijn gericht op het behoud van het milieu en wij houden bij het ontwikkelen onze producten specifiek rekening met de milieuvriendelijkheid van onze producten.

Wij minimaliseren het gebruik van schadelijke stoffen in onze producten. Er wordt bijvoorbeeld geen cadmium verwerkt in onze monitors.

#### Informatie met betrekking tot recycling

Deze monitor bevat materialen die schadelijk zouden kunnen zijn voor het milieu. Het is belangrijk dat deze

monitor aan het einde van zijn levensduur wordt gerecycled.

LGE verwerkt alle afvalmonitors via een milieuvriendelijke recyclingmethode. Hiervoor worden er momenteel wereldwijd verscheidene inname- en recyclingsystemen gehanteerd. Een groot aantal onderdelen wordt opnieuw gebruikt en gerecycled, waarbij schadelijke stoffen en zware metalen volgens een milieuvriendelijke methode worden verwerkt.

Voor meer informatie over ons recyclingprogramma kunt u contact opnemen met uw plaatselijke LG-vertegenwoordiger of een LG-vestiging.

Onze visie en ons beleid met betrekking tot een schonere wereld vloeien voort uit het feit dat wij het milieu hebben aangemerkt als een onderwerp dat speciale aandacht verdient binnen onze onderneming. Bezoek onze website voor meer informatie over ons 'groene' beleid.

[http://www.lge.com/experience/social\\_commitment/environment.jsp](http://www.lge.com/experience/social_commitment/environment.jsp)

### ■ ■ ■ Russian

#### Информация по охране окружающей среды

В 1994 году корпорация LGE опубликовала 'Декларацию LG по охране окружающей среды', которая с тех пор служит основным принципом управления. На основе этой декларации мы смогли предпринять действия, обеспечивающие безопасность окружающей среды, уделяя при этом должное внимание экономическим, экологическим и социальным аспектам.

Мы стимулируем деятельность по охране окружающей среды, уделяя особое внимание разработке нашей продукции в соответствии с концепцией экологической безопасности.

Мы сводим к минимуму содержание опасных веществ в нашей продукции. Например, в наших мониторах вы не найдете кадмия.

#### Информация по утилизации отходов

Этот монитор может содержать компоненты, которые могут нанести ущерб окружающей среде.

Необходимо утилизировать монитор после использования.

■■■ Regulatory Information cont.

Корпорация LGE перерабатывает все бракованные мониторы с помощью экологически приемлемого метода утилизации отходов. По всему миру действуют системы утилизации отходов и возврата использованной продукции. Многие компоненты будут вторично использованы и утилизированы, в то время как вредные вещества и тяжелые металлы будут обработаны с помощью экологически приемлемого метода.

За более подробной информацией по нашей программе утилизации отходов обращайтесь к местному поставщику или представителю корпорации LG.

Мы ориентируемся на обеспечение экологической безопасности, ставя себе целью глобальную защиту окружающей среды. Дополнительную информацию о нашей политике по охране окружающей среды вы можете найти на нашем сайте:

[http://www.lge.com/experience/social\\_commitment/environment.jsp](http://www.lge.com/experience/social_commitment/environment.jsp)

한국어

LG 1994 LG

LG

LG

가 가

LG LG

LG 가

<http://www.lge.co.kr/about/digitalg/environment/environment.jsp>

:: **EPA (U.S.A only)** (EPA applied model only)

ENERGYSTAR is a set of power-saving guidelines issued by the U.S. Environmental Protection Agency(EPA).



As an ENERGY STAR Partner LGE U. S. A.,Inc. has determined that this product meets the ENERGY STAR guidelines for energy efficiency.

:: **NOM MARK (Mexico only)**

