

# **Car AVN User Manual**

**Model Name : LC7F**

## 1. Overview and Specifications

### (1) Overview

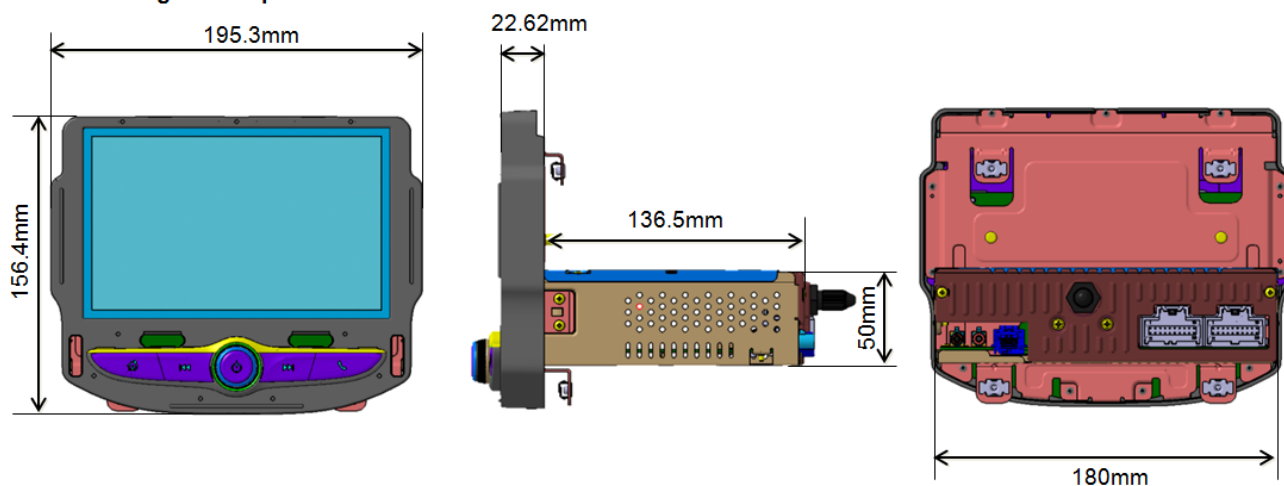
- 1) The Infotainment system provides Infotainment in your car, using the latest technology. See your dealer to have the system or software updated and upgraded.
- 2) The radio can be easily used by registering up to 25 FM or AM with the PRESET button[1 to 5] per every 5 pages.
- 3) The Infotainment system can play the USB storage device or iPod/iPhone products.
- 4) The Bluetooth phone connection function allows for the use of wireless hands-free Phone calls, as well as a phone music player.  
In addition, the WiFi function is provided.
- 5) Connect a portable music player to the auxiliary sound input to enjoy the rich sound of the Infotainment system.

### (2) Specifications

#### \*Product

Item	Categories	Specifications
Specification	Product Name	Faceplate RADIO ASM-RECEIVER
	Model	LC7F
	Dimensions	Refer to image
	Weight	1.48kg(Base) / 1.52kg(XM, DAB)
	Power source	DC 12V
	Operational temperature range	-30 °C ~ 80 °C

#### < Basic Design Concept >



**\*RF specifications**

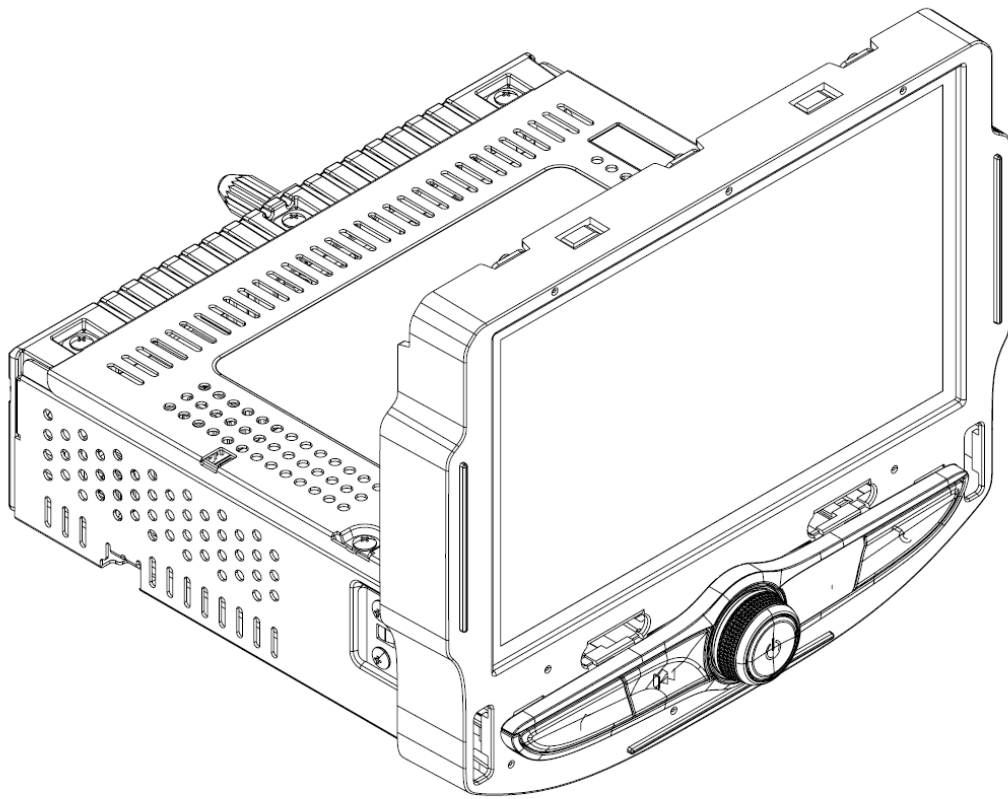
**[ BT ]**

Item	Specifications	Unit
Frequency	2400 ~2483.5	MHz
Modulation Type	GFSK, $\pi/4$ -DQPSK, 8-DPSK	
BT Power	Power class 2	
Datarate	1 ~ 3	Mbps
channel spacing	1	MHz
BT version	BT 3.0	

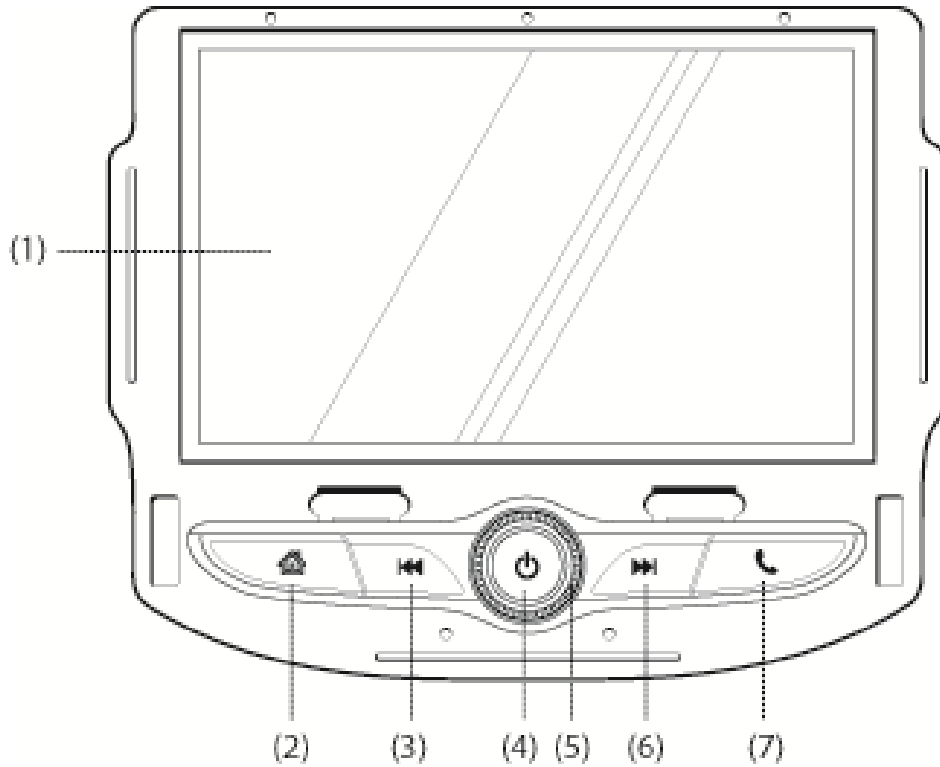
**[ WiFi ]**


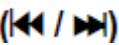
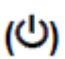
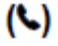
Item	Specifications	Unit
Standard	IEEE 802.11 a/b/g/n	
Frequency	2.4G	2400 ~ 2484
	5G	5G~6G
Bandwidth	20	MHz
Datarate	802.11 b	1, 2, 5.5, 11
	802.11 g	6, 9, 12, 18, 24, 36, 48, 54
	802.11 a (5G)	6, 9, 12, 18, 24, 36, 48, 54
	802.11 n (2.4G / 5G)	6.5, 13, 19.5, 26, 39, 52, 58.5, 65
Modulation	DSSS / OFDM	
Mode	AP, Station, Peer to Peer	

## 2. Component

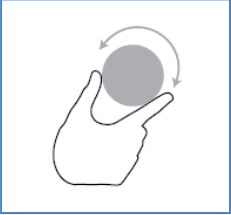
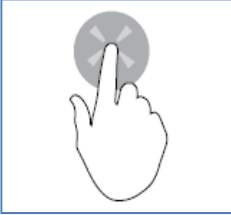


### 3. Operation

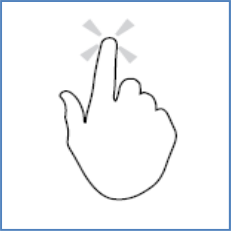

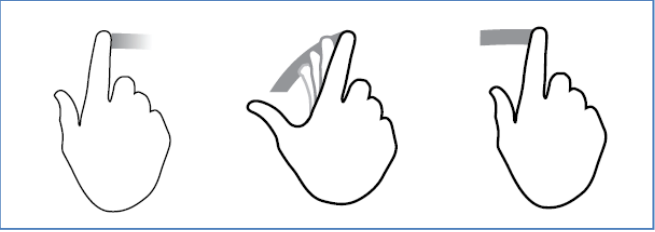
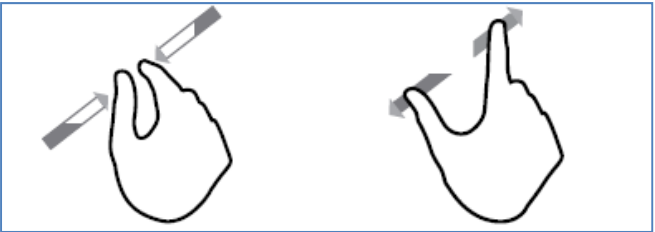


Item (#No.)	Description
(1) Display	Display for Play/Reception/Menu state and information.
(2) HOME button 	Press this button to enter the home menu.
(3)/(6) Seek button 	Press this button to seek the station or media contents.
(4) POWER button 	Press and hold this button to turn the power on/off. Press this button to turn the mute function on/off.
(5) Volume knob	Rotate the Volume knob to adjust the volume.
(7) Phone button 	Press this button to access the Phone screen. (If there is no connected phone, it will be displayed Bluetooth device management screen.)

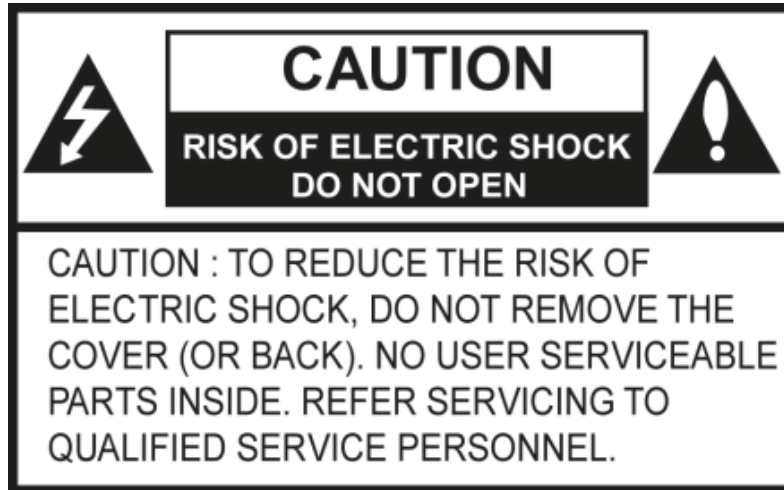
## (8) Interactions | Rotary Knob

<b>*Rotate</b> Users can rotate the Volume knob on the faceplate.	<b>*Push</b> Users can press on the center of the rotary-push knob to mute volume.
	

## (9) Touch Gestures

<b>*Tap</b>	<b>*Press &amp; Hold</b>
	
<b>*Fling/Swipe</b>	
	
<b>*Pinch &amp; Spread</b>	
	

#### 4. Precautions



- 1) Always operate the vehicle in a safe manner. Do not become distracted by the vehicle while driving and always be fully aware of all driving conditions. Do not change settings or any functions. Pull over in a safe and legal manner before attempting such operations. To promote safety, certain functions are disabled unless the parking brake is on.
- 2) To reduce the risk of electric shock, do not remove the cover or back of this product. There are no user-serviceable parts inside. Refer servicing to qualified service personnel.
- 3) To reduce the risk of fire or electric shock, do not expose this product to dripping or splashing water, rain, or moisture.
- 4) When driving your vehicle, be sure to keep the volume of the unit low enough to allow you to hear sounds coming from the outside.
- 5) Do not drop it and avoid heavy impacts at anytime.
- 6) The driver should not watch the monitor while driving. If the driver watches the monitor while driving, it may lead to carelessness and cause an accident.

## Declaration of Conformity



Hereby, LG Electronics European Shared Service Center B.V., declares that this device is compliant with the essential requirements and other relevant provisions of Directive 1999/5/EC. The complete Declaration of Conformity may be requested through the following postal address:

LG Electronics European Shared Service Center B.V.  
European Standard Team Krijgsman 1  
1186 DM Amstelveen  
The Netherlands

or can be requested at our dedicated DoC website:  
<http://www.lg.com/global/support/cedoc/cedoc#>

This device is a 2.4 GHz and 5 GHz wideband transmission system, intended for use in all EU member states and EFTA countries, with indoor use restriction for 5GHz band. (5150 – 5250MHz)

This device should be installed and operated with minimum distance 20 cm between the device and your body. And this phrase is for the general statement for consideration of user environment.



## <FCC Warning Statements>

### **FCC Part 15.19 Statements:**

This device complies with Part 15 of the FCC Rules. Operation is subject to the following two conditions: (1) this device may not cause harmful interference, and (2) this device must accept any interference received, including interference that may cause undesired operation.

### **FCC Part 15.105 statement**

This equipment has been tested and found to comply with the limits for a Class B digital device, pursuant to part 15 of the FCC Rules. These limits are designed to provide reasonable protection against harmful interference in a residential installation. This equipment generates, uses and can radiate radio frequency energy and, if not installed and used in accordance with the instructions, may cause harmful interference to radio communications. However, there is no guarantee that interference will not occur in a particular installation. If this equipment does cause harmful interference to radio or television reception, which can be determined by turning the equipment off and on, the user is encouraged to try to correct the interference by one or more of the following measures:

- Reorient or relocate the receiving antenna.
- Increase the separation between the equipment and receiver.
- Connect the equipment into an outlet on a circuit different from that to which the receiver is connected.
- Consult the dealer or an experienced radio/TV technician for help.

### **FCC Part 15.21 statement**

Any changes or modifications not expressly approved by the party responsible for compliance could void the user's authority to operate this equipment.

### **RF Exposure Statement**

The antenna(s) must be installed such that a minimum separation distance of at least 20 cm is maintained between the radiator (antenna) and all persons at all times. This device must not be co-located or operating in conjunction with any other antenna or transmitter.

## <IC Warning Statements>

### **RSS-GEN, Sec. 7.1.3 – (licence-exempt radio apparatus)**

This device complies with Industry Canada licence-exempt RSS standard(s). Operation is subject to the following two conditions: (1) this device may not cause interference, and (2) this device must accept any interference, including interference that may cause undesired operation of the device.

Le présent appareil est conforme aux CNR d'Industrie Canada applicables aux appareils radio exempts de licence. L'exploitation est autorisée aux deux conditions suivantes : (1) l'appareil ne doit pas produire de brouillage, et (2) l'utilisateur de l'appareil doit accepter tout brouillage radioélectrique subi, même si le brouillage est susceptible d'en compromettre le fonctionnement.

### **RSS-GEN, Sec. 7.1.2 – (transmitters)**

Under Industry Canada regulations, this radio transmitter may only operate using an antenna of a type and maximum (or lesser) gain approved for the transmitter by Industry Canada. To reduce potential radio interference to other users, the antenna type and its gain should be so chosen that the equivalent isotropically radiated power (e.i.r.p.) is not more than that necessary for successful communication.

Conformément à la réglementation d'Industrie Canada, le présent émetteur radio peut fonctionner avec une antenne d'un type et d'un gain maximal (ou inférieur) approuvé pour l'émetteur par Industrie Canada. Dans le but de réduire les risques de brouillage radioélectrique à l'intention des autres utilisateurs, il faut choisir le type d'antenne et son gain de sorte que la puissance isotrope rayonnée équivalente (p.i.r.e.) ne dépasse pas l'intensité nécessaire à l'établissement d'une communication satisfaisante.

### **RF Exposure**

The antenna (or antennas) must be installed so as to maintain at all times a distance minimum of at least 20 cm between the radiation source (antenna) and any individual. This device may not be installed or used in conjunction with any other antenna or transmitter.

### **l'exposition aux RF**

L'antenne (ou les antennes) doit être installée de façon à maintenir à tout instant une distance minimum de au moins 20 cm entre la source de radiation (l'antenne) et toute personne physique.

**[For product having the wireless function using 5 GHz frequency bands]**

The device for operation in the band 5150–5250 MHz is only for indoor use to reduce the potential for harmful interference to co-channel mobile satellite systems.

les dispositifs fonctionnant dans la bande 5150–5250 MHz sont réservés uniquement pour une utilisation à l'intérieur afin de réduire les risques de brouillage préjudiciable aux systèmes de satellites mobiles utilisant les mêmes canaux.