

# Car AV User Manual

Model Name : LC7F-P

## 1. Overview and Specifications

### (1) Overview

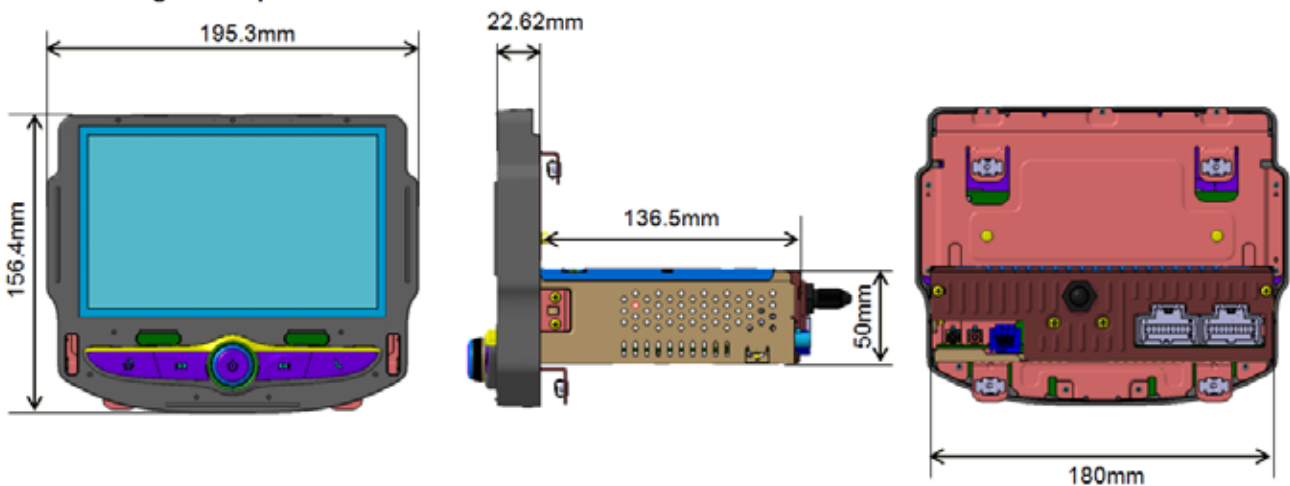
- 1) The Infotainment system provides Infotainment in your car, using the latest technology. See your dealer to have the system or software updated and upgraded.
- 2) The radio can be easily used by registering up to 25 FM or AM with the PRESET button[1 to 5] per every 5 pages.
- 3) The Infotainment system can play the USB storage device or iPod/iPhone products.
- 4) The Bluetooth phone connection function allows for the use of wireless hands-free Phone calls, as well as a phone music player. In addition, the WiFi function is provided.
- 5) Connect a portable music player to the auxiliary sound input to enjoy the rich sound of the Infotainment system.

### (2) Specifications

\*Product

Item	Categories	Specifications
Specification	Product Name	Faceplate RADIO ASM-RECEIVER
	Model	LC7F-P
	Dimensions	Refer to image
	Weight	1.48kg(Base) / 1.52kg(XM, DAB)
	Power source	DC 12V
	Operational temperature range	-30 ~ 80

#### < Basic Design Concept >

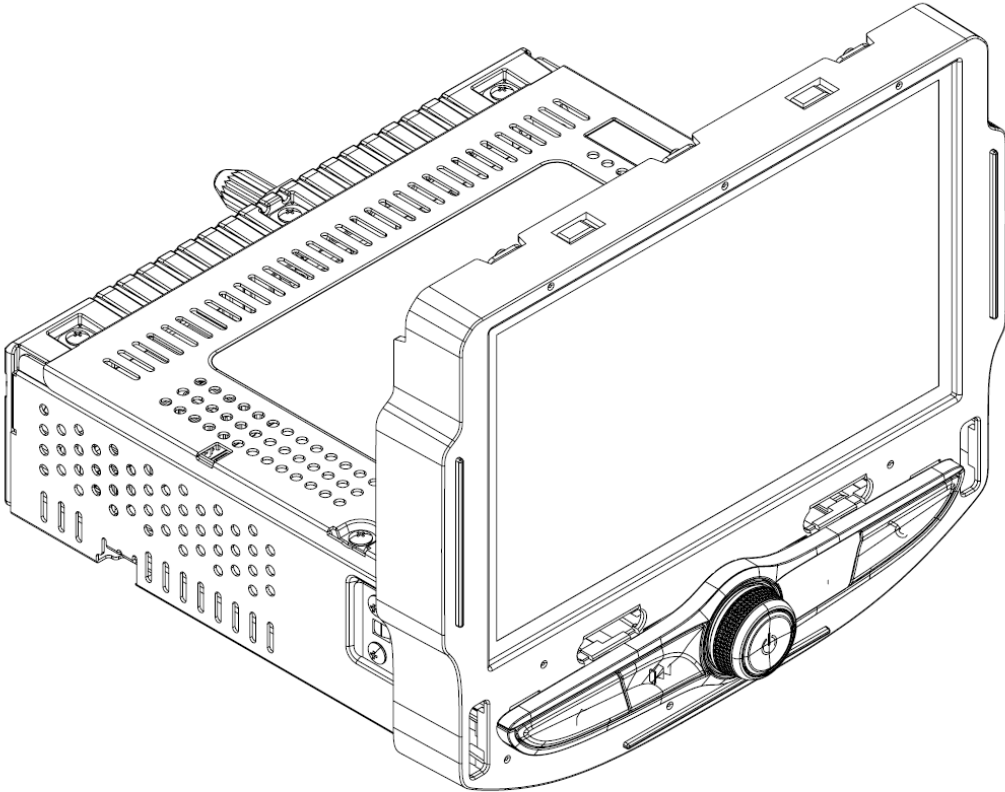


\*RF specifications

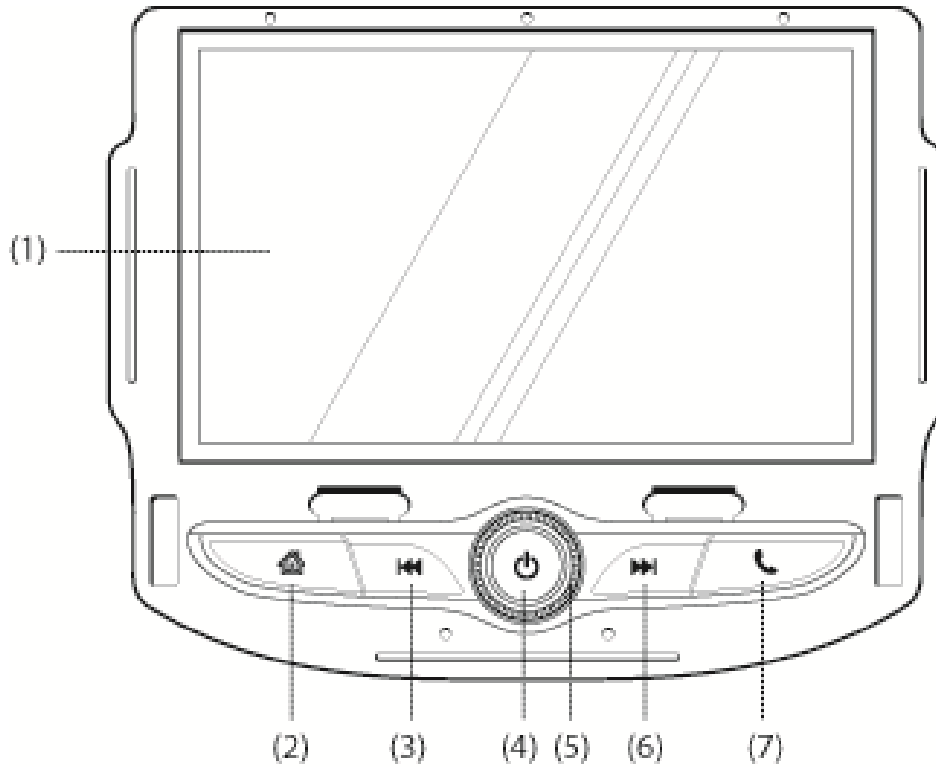
[ BT ]


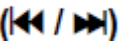
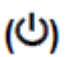
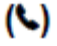
Item	Specifications	Unit
Frequency	2400 ~2483.5	MHz
Modulation Type	GFSK, /4-DQPSK, 8-DPSK	
BT Power	Power class 2	
Datarate	1 ~ 3	Mbps
channel spacing	1	MHz
BT version	BT 3.0	

2. Component

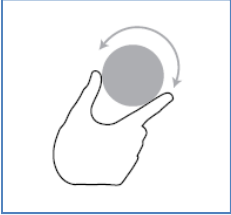
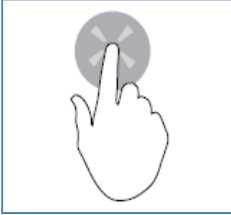


### 3. Operation

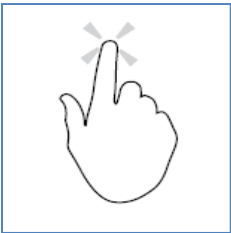
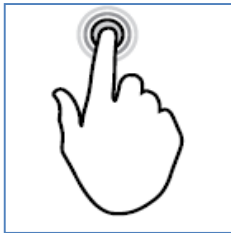
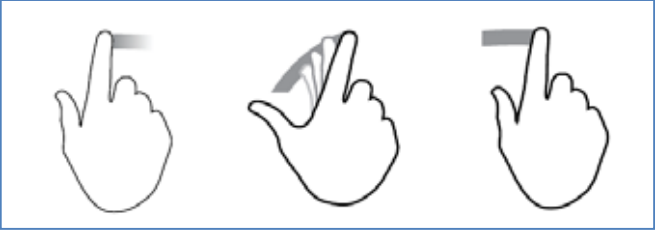
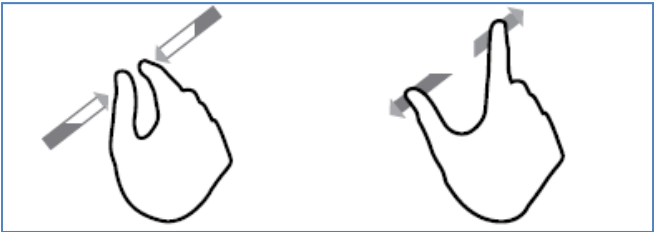


Item (#No.)	Description
(1) Display	Display for Play/Reception/Menu state and information.
(2) HOME button 	Press this button to enter the home menu.
(3)/(6) Seek button 	Press this button to seek the station or media contents.
(4) POWER button 	Press and hold this button to turn the power on/off. Press this button to turn the mute function on/off.
(5) Volume knob	Rotate the Volume knob to adjust the volume.
(7) Phone button 	Press this button to access the Phone screen. (If there is no connected phone, it will be displayed Bluetooth device management screen.)

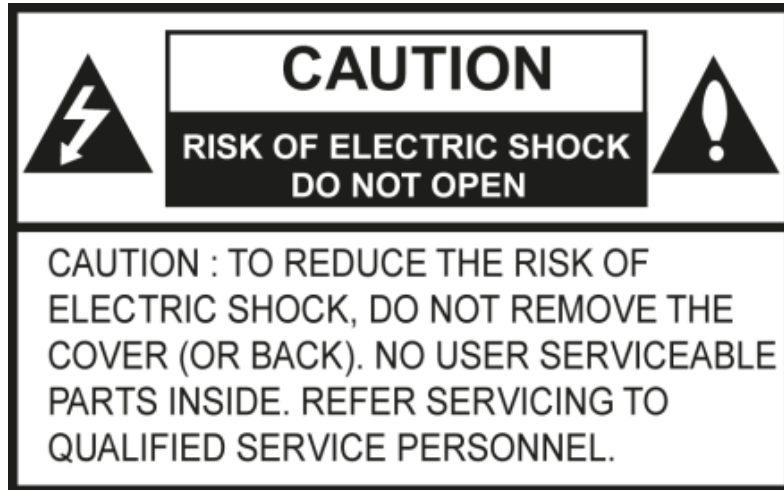
## (8) Interactions | Rotary Knob

<p><b>*Rotate</b> Users can rotate the Volume knob on the faceplate.</p>	<p><b>*Push</b> Users can press on the center of the rotary-push knob to mute volume.</p>
 A line drawing of a hand with the index finger touching a circular knob. Two curved arrows around the knob indicate a clockwise rotation.	 A line drawing of a hand with the index finger touching the center of a circular knob. A shaded area around the finger and a small downward arrow indicate the push action.

## (9) Touch Gestures

<p><b>*Tap</b></p>	<p><b>*Press &amp; Hold</b></p>
 A line drawing of a hand with the index finger touching a point. A small 'X' mark above the finger indicates the tap gesture.	 A line drawing of a hand with the index finger touching a point. Concentric circles around the finger indicate the press and hold gesture.
<p><b>*Fling/Swipe</b></p>	
 Three line drawings of a hand showing different fling/swipe gestures. The first shows a finger moving from left to right. The second shows a hand with fingers spread moving from right to left. The third shows a finger moving from right to left.	
<p><b>*Pinch &amp; Spread</b></p>	
 Two line drawings of a hand showing pinch and spread gestures. The first shows the thumb and index finger moving towards each other. The second shows the thumb and index finger moving away from each other.	

#### 4. Precautions



- 1) Always operate the vehicle in a safe manner. Do not become distracted by the vehicle while driving and always be fully aware of all driving conditions. Do not change settings or any functions. Pull over in a safe and legal manner before attempting such operations. To promote safety, certain functions are disabled unless the parking brake is on.
- 2) To reduce the risk of electric shock, do not remove the cover or back of this product. There are no user-serviceable parts inside. Refer servicing to qualified service personnel.
- 3) To reduce the risk of fire or electric shock, do not expose this product to dripping or splashing water, rain, or moisture.
- 4) When driving your vehicle, be sure to keep the volume of the unit low enough to allow you to hear sounds coming from the outside.
- 5) Do not drop it and avoid heavy impacts at anytime.
- 6) The driver should not watch the monitor while driving. If the driver watches the monitor while driving, it may lead to carelessness and cause an accident.

**<FCC Warning Statements>**

**FCC Part 15.19 Statements:**

This device complies with Part 15 of the FCC Rules. Operation is subject to the following two conditions: (1) this device may not cause harmful interference, and (2) this device must accept any interference received, including interference that may cause undesired operation.

**FCC Part 15.21 statement**

Any changes or modifications not expressly approved by the party responsible for compliance could void the user's authority to operate this equipment.

**RF Exposure Statement (MPE)**

The antenna(s) must be installed such that a minimum separation distance of at least 20 cm is maintained between the radiator (antenna) and all persons at all times. This device must not be co-located or operating in conjunction with any other antenna or transmitter.

Declaration of Conformity

**CE 0700**

Hereby, LG Electronics European Shared Service Center B.V., declares that this device is compliant with the essential requirements and other relevant provisions of Directive 1999/5/EC.

This device should be installed and operated with minimum distance 20 cm between the device and your body. And this phrase is for the general statement for consideration of user environment.