

RF dongle User Information

Model Name: AN-MR300C



Korean

한국어

목 차

1. RF dongle 의 개요 및 제원

(1) 개 요

(2) 제 원

2. 주의 사항

3. 고객 지원

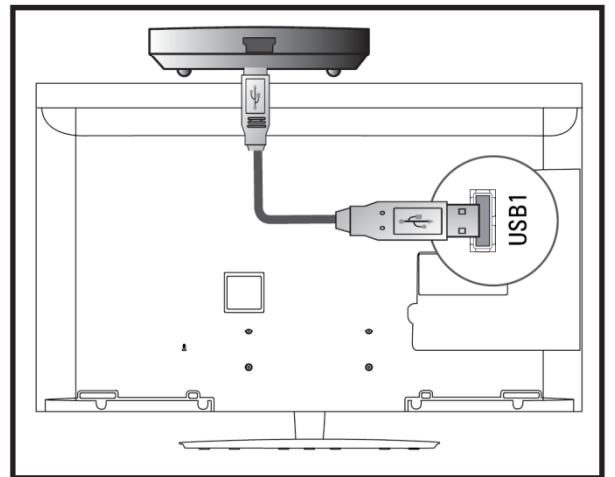
4. Attention complaint of nations

1. RF dongle의 개요 및 제원

(1) 개요

- 이 수신기는 사용자가 맥내에서 리모콘을 무선 마우스처럼 사용하여 TV를 제어할 수 있는 제품으로써, 기존 적외선 리모콘이 육안상에 위치한 제품을 제어했던 반면에 맥내 10 m 이내에서 방향에 상관없이 제어할 수 2.4 GHz대 RF 수신기이다.

- RF 동글 케이블 잭을 RF 동글에 연결한 다음, TV에 케이블 잭을 연결하세요



(2) 제원

구분	내용
모델명	AN-MR300C
주파수 대역	2.402 GHz ~ 2.480 GHz
채널	79 채널
송신출력	10 dBm
수신감도	-86 dBm
크기	폭 53 x 두께 13 x 길이 53 (공차± 1 mm)
무게	18 g ± 5 g
전원	DC 5 V, USB 전원 사용
동작 온도	0 °C ~ 60 °C

2. 주의 사항

- (1) 리모컨의 배터리를 교체한 후에는 리모컨 사용법에 따라 페어링 후에 사용한다.
- (2) 리모컨의 배터리를 교체 후 동작하지 않는다면, 배터리를 제거 후 사용법에 따라 페어링을 재시도한다.
- (3) 제품을 분해하거나, 열을 가해서는 안된다.
- (4) 케이스가 손상될 정도로 극심한 충격을 줘서는 안된다.
- (5) 제품을 물에 넣어서는 안된다.

3. 고객 지원

TV 매뉴얼의 서비스 연락처를 참조하세요.

[KCC 인증 마크 및 인증번호]



인증 받은 자의 상호: (주) 엘지 전자

인증번호: KCC-CRS-LGE-AN-MR300C

인증 년 월 일: 2011.

제조자/제조국가: (주) 오성전자 구미공장/대한민국

기기명칭/모델명: 특정 소출력 무선기기/AN-MR300C

(무선데이터 통신 시스템용)

상호명: (주) 엘지 전자

Table of Contents

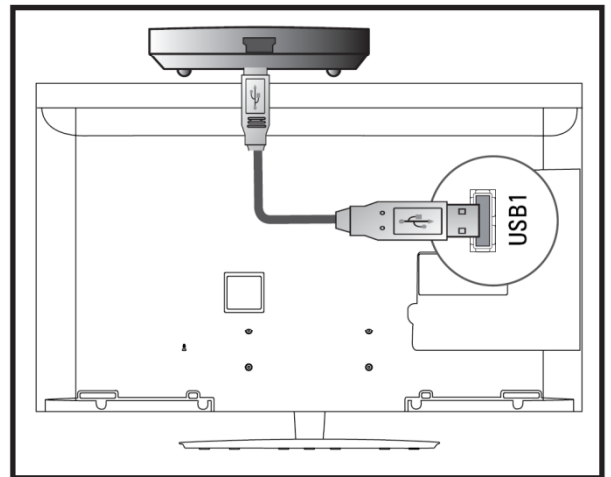
1. Overview and specification of the RF dongle
 - (1) Overview
 - (2) Specification
2. Precautions
3. Customer Support
4. Attention complaint of nations

1. Overview and Specifications for the RF dongle

(1) Overview

- This RF Receiver is a product that can control the TV by using it as if it were a wireless mouse in user's residence. While the existing infrared remote controllers were used for the products that are within the sight of the user, this product is a RF receiver with frequency range of 2.4 GHz that can control appliances located within distance of 10 m regardless of the direction within user's residence.

- Connect the RF Dongle Cable plug on the RF Dongle to a USB1 jack on the TV.



(2) Specifications

Categories	Details
Model No.	AN-MR300C
Range of frequency	2.402 GHz ~ 2.480 GHz
Channel	79 channels
Transmission output	10 dBm
Reception sensitivity	-86 dBm
Dimensions	Width 53 x Thickness 13 x Length 53 (tolerance of ± 1 mm)
Weight	18 g \pm 5 g
Power source	DC 5 V, USB power are used
Operational temperature range	0 °C ~ 60 °C

2. Precautions

- (1) After replacement of the battery, use the remote controller following pairing in accordance with user manual.
- (2) If the unit does not operate after replacement of battery, take the battery out and reattempt pairing in accordance with the user manual.
- (3) Do not dismantle or exert heat to the product.
- (4) Do not exert extreme impact that may even cause the case to be damaged.
- (5) Do not immerse the product in water.

3. Customer Support

Refer to the contact number for services provided in the TV Manual.

FCC (Federal Communications Commission)

This equipment has been tested and found to comply with the limits for a Class B digital device, pursuant to Part 15 of the FCC Rules. These limits are designed to provide reasonable protection against harmful interference in a residential installation.

This equipment generates uses and can radiate radio frequency energy and, if not installed and used in accordance with the instructions, may cause harmful interference to radio communications.

However, there is no guarantee that interference will not occur in a particular installation. If this equipment does cause harmful interference to radio or television reception, which can be determined by turning the equipment off and on, the user is encouraged to try to correct the interference by one or more of the following measures:

- Reorient or relocate the receiving antenna.
- Increase the separation between the equipment and receiver.
- Connect the equipment into an outlet on a circuit different from that to which the receiver is connected.
- Consult the dealer or an experienced radio/TV technical for help.
- Reorient or relocate the receiving antenna.
- Increase the separation between the equipment and receiver.
- Connect the equipment into an outlet on a circuit different from that to which the receiver is connected.
- Consult the dealer or an experienced radio/TV technical for help.
-

WARNING: This equipment may generate or use radio frequency energy. Changes or modifications to this equipment may cause harmful interference unless the modifications are expressly approved in the instruction manual. The user could lose the authority to operate this equipment if an unauthorized change or modification is made.

This device complies with Part 15 of the FCC's Rules. Operation is subject to the following two Conditions:

1. This device may not cause harmful interference, and
2. This device must accept any interference received, including interference that may cause undesirable operation.

German

Deutsch

Inhalt

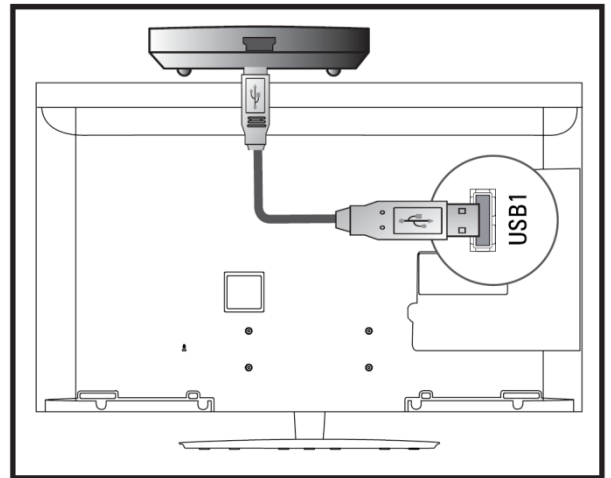
1. Beschreibung und technische Spezifikation der RF Empfänger
 - (1) Beschreibung
 - (2) Technische Spezifikation
2. Warnhinweise
3. Kundendienst
4. Attention complaint of nations

1. Beschreibung und technische Spezifikation der RF Empfänger

(1) Beschreibung

Die Empfänger kann wie eine schnurlose Maus verwendet werden um den Heimfernseher zu bedienen. Im Gegensatz zu herkömmlichen Fernbedienungen mit denen der ernseher nur aus kurzer Distanz bedient werden kann, kann man mit dieser RF Empfänger mit ihrem 2.4 GHz Frequenzbereich den Fernseher von irgendeiner beliebigen Richtung aus in Ihrem Haus und bei einem Abstand von bis zu 10 m bedienen.

- Schließen Sie den Dongle an der entsprechenden Anschlussbuchse am TV-Gerät an.



(2) Technische Spezifikation

Klassifikation	Inhalt
Modell	AN-MR300C
Frequenzbereich	2.402 GHz ~ 2.480 GHz
Kanal	Kanal 79
Sendeleistung	10 dBm
Empfängerleistung	-86 dBm
Größe	Weite 53 x Dicke 13 x Länge 53 (Abweichung ± 1 mm)
Gewicht	18 g \pm 5 g
Leistungsquelle	DC 5 V, USB Macht
Arbeitstemperatur	0 °C ~ 60 °C

2. Warnhinweise

- (1) Nachdem Sie die Batterien ausgetauscht haben, verwenden Sie die Fernbedienung der Beschreibung folgend.
- (2) Wenn die Fernbedienung nach dem Batterienwechsel nicht funktioniert, nehmen Sie die Batterien nocheinmal heraus und setzen Sie sie ordnungsgemäß ein.
- (3) Nicht zerlegen oder ausüben Wärme an das Produkt.
- (4) Üben Sie keinen extremen Auswirkungen, die sogar dazu führen, kann der Fall beschädigt werden.
- (5) Tauchen Sie das Produkt in Wasser.

3. Kundendienst

Die Kundendienst Rufnummer finden Sie in der Bedienungsanleitung des Fernsehers.

French

Français

Table des matières

1. Aperçu et spécifications de la Récepteur RF

(1) Aperçu

(2) Spécifications

2. Précautions

3. Support client

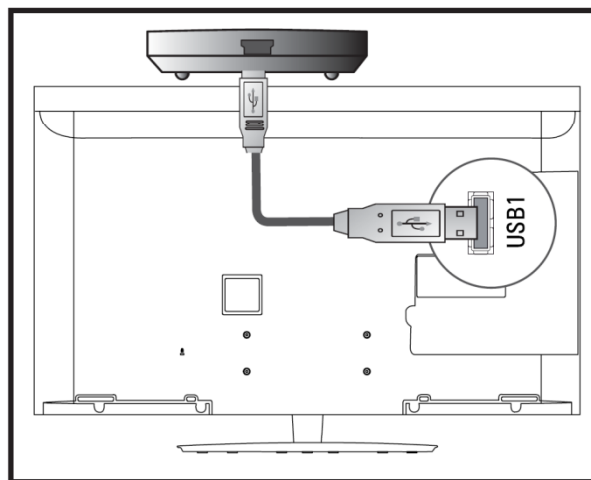
4. Attention complaint of nations

1. Aperçu et spécifications de la Récepteur RF

(1) Aperçu

- Cette Récepteur RF est un produit permettant de contrôler la télévision en l'utilisant comme une souris sans fil à la maison ; si le produit actuel aux rayons ultra rouges contrôle les appareils situés à portée du regard, ce produit est une Récepteur RF 2.4 GHz permettant le contrôle dans tous les sens, sur une distance de 10 mètres à l'intérieur de la maison.

- Branchez un câble jack sur la prise du dongle d'une part et sur la prise jack du téléviseur d'autre part.



(2) Spécifications

Catégorie	Contenu
Nom de modèle	AN-MR300C
Zone de fréquences	2.402 GHz ~ 2.480 GHz
Chaîne	79 chaînes
Puissance pour l'envoi	0 dBm
Réceptivité	-86 dBm
Dimensions (mm)	53 (L) x 13 (L) x 53 (E) (tolérances ± 1)
Poids (g)	18 ± 5
Secteur	DC 5 V, USB puissance
Température pour le fonctionnement	0 °C à 60 °C

2. Précautions

- (1) Après avoir changé de batterie, procédez à l'appareillement suivant le mode d'emploi de la télécommande avant d'utiliser cette dernière.
- (2) Si la télécommande ne fonctionne pas même après avoir changé de batterie, enlevez cette dernière, puis essayez de nouveau l'appareillement suivant le mode d'emploi.
- (3) Ne pas démonter ni exercer de chaleur au produit.
- (4) Ne pas exercer d'impact extrême qui peut même causer le cas d'être endommagés.
- (5) Ne pas immerger le produit dans l'eau.

3. Support client

Veillez consulter les coordonnées du service affichées dans le manuel de la télévision.

Portuguese

Português

Índice

1. Introdução e especificações do receptor RF
 - (1) Introdução
 - (2) Especificações
2. Cuidados
3. Suporte ao Cliente
4. Attention complaint of nations

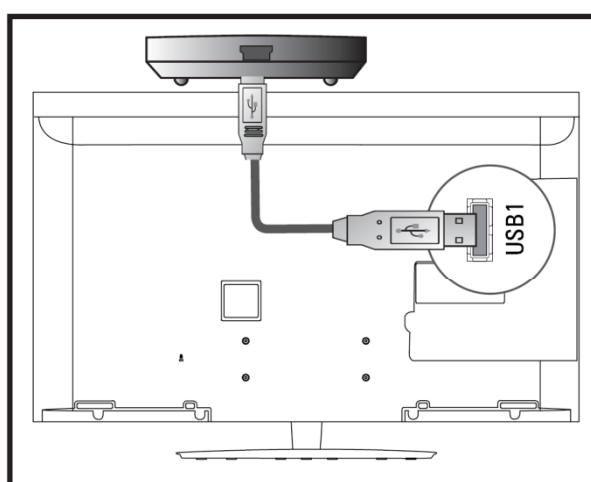
1. Introdução e especificações do receptor RF

(1) Introdução

- Este é um receptor RF é um produto similar a um mouse sem-fio que permite a controlar TV.

Diferente dos outros controles, que podem controlar apenas os aparelhos em seu redor, este receptor de 2.4 GHz RF, por sua vez, pode controlá-los, sem limitação, dentro do raio de 10 m.

- Conecte o cabo do Dongle às saídas do Dongle e da TV.



(2) Especificações

Item	Conteúdo
Nome do Modelo	AN-MR300C
Banda de Frequência	2.402 GHz ~ 2.480 GHz
Canais	79 canais
Saída de Transmissão	10 dBm
Sensibilidade de Recepção	-86 dBm
Tamanho	L 53 x E 13 x A 53 (tolerância ± 1 mm)
Peso	18 g \pm 5 g
Alimentação	DC 5 V, USB poder
Temperatura de uso	0 °C ~ 60 °C

2. Cuidados

- (1) Após troca de baterias, utilizar-se depois de pareamento de acordo com o manual do controle remoto.
- (2) Se o controle remoto não funcionar após troca de baterias, remover as baterias e tentar novamente pareamento de acordo com o manual do controle.
- (3) Não desmonte ou exercer calor para o produto.
- (4) Não exercer um impacto extremo que pode até causar o caso de ser danificado.
- (5) Não mergulhe o produto na água.

3. Suporte ao Cliente

Ver dados para contato impresso no Manual de TV.

Spanish

Español

Indice

1. Sumario y especificaciones del Receptor RF

(1) Sumario

(2) Especificaciones

2. Precauciones

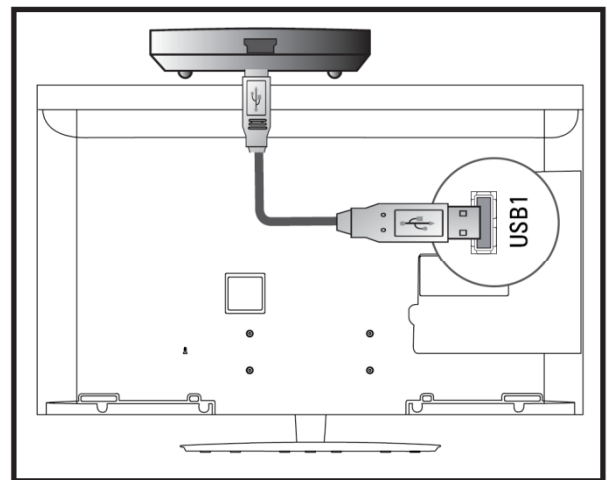
3. Soporte al cliente

4. Attention complaint of nations

1. Sumario y especificaciones del Receptor RF

(1) Sumario

- Este Receptor RF es un producto para controlar la TV usándolo como un mouse inalámbrico dentro de la casa del usuario que, a diferencia de los controles remotos a rayo infrarrojo convencionales que controlaban los productos ubicados dentro del radio de la visión, es un Receptor RF de 2.4 GHz que puede controlar dentro de un radio de 10 m sin importar la dirección.
- Conecte un conector de cable de dispositivo de seguridad desde el dispositivo de seguridad hasta el conector de cable de dispositivo de seguridad de la TV.



(2) Especificaciones

Ítem	Contenido
Modelo	AN-MR300C
Banda de frecuencia	2.402 GHz ~ 2.480 GHz
Canal	79 canales
Salida de transmisión	10 dBm
Grado de recepción	-86 dBm
Dimensiones	Ancho 53 x espesor 13 x largo 53 (Dif. ± 1 mm)
Peso	18 g ± 5 g
Energía	DC 5 V, USB el poder
Temperatura de operación	0 °C ~ 60 °C

2. Precauciones

- (1) Luego de colocar las pilas debe usar después de emparejar (pairing) de acuerdo a la forma de uso del control remoto.
- (2) Si no funciona luego de colocar las pilas, reintente emparejar de acuerdo a la forma de uso después de quitar las pilas.
- (3) No desmonte ni ejercer calor al producto.
- (4) No ejerza graves repercusiones que puede incluso causar que el caso sea dañado.
- (5) No sumerja el producto en agua.

3. Soporte al cliente

Vea las direcciones y los teléfonos de servicio en el manual de la TV.

Chinese Simplified

中文简体

目 录

1. 射频接收器的概要及所有因素

(1) 概 要

(2) 所有因素

2. 注意事项

3. 客户服务

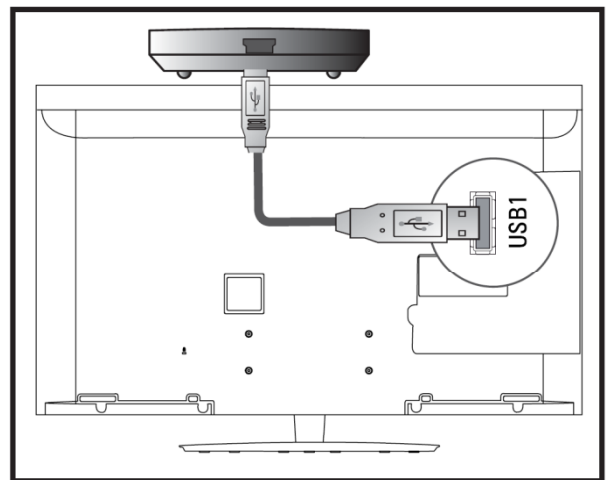
4. Attention complaint of nations

1. 射频接收器的概要及所有因素

(1) 概要

- 该射频接收器为用户可在家里仿佛使用无线鼠标般调控电视的产品, 相比现有红外线遥控器只可调控位于肉眼可看到的范围内产品, 该射频接收器是可以调控家里10 m以内, 并且从任何方向都可调控2.4 GHz范围内电视的射频接收器。

- 将加密锁上的加密锁电缆插孔连接到电视上的加密锁电缆插孔。



(2) 所有因素

区分	内容
型号名称	AN-MR300C
频率范围	2.402 GHz ~ 2.480 GHz
频道	79 频道
输出功率	10 dBm
灵敏度	-86 dBm
大小	宽度 53 x 厚度 13 x 长度 53 (公差± 1 mm)
重量	18 g ± 5 g
电源	DC 5 V, 使用USB电源
动作温度	0 °C ~ 60 °C

2. 注意事项

- (1) 更换电池后，请在根据遥控器使用方法调配后使用。
- (2) 更换电池后如无法正常使用，请在取下电池后再次做好调配。
- (3) 请勿拆解或对产品施加热。
- (4) 不要施加影响，极端情况下甚至可能造成损坏。
- (5) 不要浸泡在水中的产物。

3. 客户服务

请参照TV说明书的服务联络处。

Chinese Traditional

中文繁體

目 錄

1. 射頻接收器的概要及所有因素

(1) 概 要

(2) 所有因素

2. 注意事項

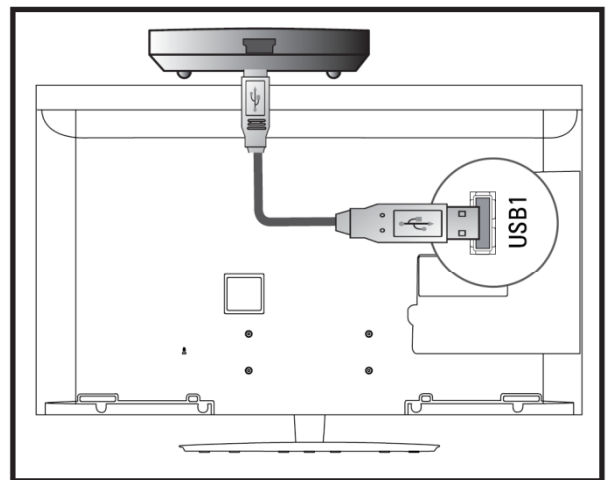
3. 客戶服務

4. Attention complaint of nations

1. 射頻接收器的概要及所有因素

(1) 概要

- 該射頻接收器為用戶可在家裏仿佛使用無限鼠標般調控電視的產品，相比現有紅外線遙控器只可調控位于肉眼可看到的範圍內產品，該射頻接收器是可以調控家裏10 m以內，並且從任何方向都可調控2.4 GHz範圍內電視的射頻接收器。
- 將硬體鎖的硬體鎖纜線插孔連接至電視的硬體鎖纜線插孔。



(2) 所有因素

區分	內容
型號名稱	AN-MR300C
頻率範圍	2.402 GHz ~ 2.480 GHz
頻道	79 頻道
輸出功率	10 dBm
靈敏度	-86 dBm
大小	寬度 53 x 厚度 13 x 長度 53 (公差± 1 mm)
重量	18 g ± 5 g
電源	DC 5 V, 使用USB电源
動作溫度	0 °C ~ 60 °C

2. 注意事項

- (1) 更換電池后，請在根據遙控器使用方法調配后使用。
- (2) 更換電池后如無法正常使用，請在取下電池后再次做好調配。
- (3) 請勿拆解或施加熱量的產品。
- (4) 不要施加影響，極端情況下甚至可能造成損壞。
- (5) 不要在水中浸泡的產品。

3. 客戶服務

請參照TV說明書的服務聯絡處。

Russian

Русский

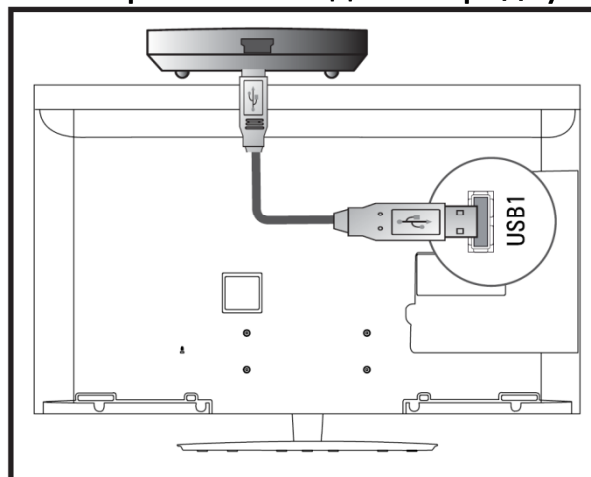
Содержание

1. Краткое описание и технические параметры
ВЧ приемник
 - (1) Краткое описание
 - (2) Технические параметры
2. Меры предосторожности
3. Техническая поддержка
4. Attention complaint of nations

1. Краткое описание и технические параметры ВЧ приемник

(1) Краткое описание

- Данный ВЧ приемник может быть использован для управления телевизором подобно беспроводной мышки для компьютера, имеет радио частоту в 2.4 ГГц и в отличие от прежних моделей инфракрасных пультов, которые позволяли управлять только в пределах видимости, эта модель позволяет управлять в любом направлении в доме в радиусе 10 метров.
- подключите разъем кабеля аппаратного ключа к аппаратному ключу и к телевизору.



(2) Технические параметры

Название	Содержание
Название модели	AN-MR300C
Диапазон радио частот	2.402 ГГц ~ 2.480 ГГц
Каналы	79 канала
Мощность сигнала	10 дБм
Чувствительность сигнала	-86 дБм
Размеры	Ширина 53 x Толщина 13 x Длина 53 (допуск ± 1 мм)
Вес	18 гр. ± 5 гр
Источник питания	DC 5 V, USB Power используются
Рабочая температура	0 °C ~ 60 °C

2. Меры предосторожности

- (1) При замене батарей следует следовать Инструкции по применению Дистанционного пульта управления.
- (2) Если пульт не работает после замены батарей, вынуть их и еще раз установить в соответствии с Инструкцией.
- (3) Не разбирайте и не оказывайте тепла к продукту.
- (4) Не оказывайте крайней воздействие, которое может даже привести случае не должно быть повреждены.
- (5) Не погружать изделие в воду.

3. Техническая поддержка

Смотреть номер технической поддержки на Инструкции по применению телевизора

Japanese

日本語

目次

1. RF dongleの概要と仕様

(1) 概要

(2) 仕様

2. 注意事項

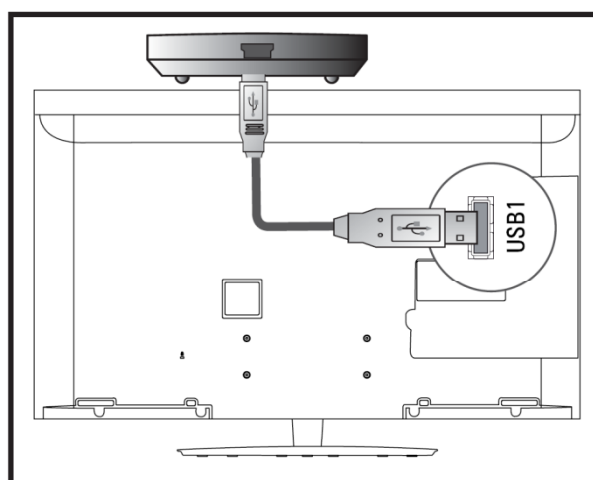
3. カスタマーサポート

4. Attention complaint of nations

1. RF dongleの概要と仕様

(1) 概要

- この受信機は、ユーザーが宅内でリモコンをワイヤレスマウスとして使用してTVを制御することができる製品として、
、既存の赤外線リモートコントローラは、ユーザの視界内にある宅内10m以内の方向に関係なく、制御可能な2.4 GHz帯RF受信機である。
- RF DongleケーブルのジャックRF Dongleに接続し、
、TVへのケーブルのジャックに接続してください



(2) 仕様

カテゴリー	詳細
モデル番号	AN-MR300C
周波数の範囲	2.402 GHz ~ 2.480 GHz
チャンネル	79チャンネル
送信出力	10 dBm
受信感度	-86 dBm
寸法	幅53 x厚13 x長さ 53 ((±1mmの公差)
重さ	18 g ± 5 g
パワーソース	DC 5 V, USB 電源の使用
動作温度範囲	0 °C ~ 60 °C

2. 注意事項

- (1) バッテリーの交換後は、ユーザマニュアルにしたがってリモコンの以下のペアを使用してください。
- (2) ユニットは、バッテリーの交換後に動作しない場合は、電池を取り出し、ユーザマニュアルにしたがってペアリングを再試行してください。
- (3) 製品を分解または熱を行使しないでください。
- (4) ケースに損傷を与えるほどの深刻な衝撃を禁止する。
- (5) 水に製品を浸さないでください。

3. カスタマーサポート

テレビの取扱説明書で提供されるサービスの連絡先の番号を参照してください。

4. Attention complaint of nations

(1) **KCC Statement(Korea)**

“제작자 및 설치자는 해당 무선설비가 전파혼신 가능성이 있으므로
인명안전과 관련된 서비스는 할 수 없음”

(2) **NCC Statement (Taiwan)**

根據**NCC**低功率電波輻射性電機管理辦法 規定

1) 第十二條

經型式認證合格之低功率射頻電機，非經許可，公司、商號或使用者均不得擅自變更頻率、加大功率或變更原設計之特性及功能

2)第十四條

低功率射頻電機之使用不得影響飛航安全或干擾合法通信；經發現有干擾現象時，應立即停用，並改善至無干擾時方得繼續使用

前項合法通信，指依電信法規定作業之無線電通信。

低功率射頻電機須忍受合法通信或工業、科學及醫療用電波輻射性電機設備之干擾。

(3) **ANATEL Statement(Para Brazil)**

Este equipamento opera em caráter secundário, isto é, não tem direito à proteção contra interferência prejudicial, mesmo de estações do mesmo tipo e não pode causar interferência a sistemas operando em caráter primário.

(4) Federal Communications Commission(FCC) Statement

You are cautioned that changes or modifications not expressly approved by the part responsible

for compliance could void the user's authority to operate the equipment.

This equipment has been tested and found to comply with the limits for a Class B digital device, pursuant to part 15 of the FCC rules.

These limits are designed to provide reasonable protection against harmful interference in a residential installation.

This equipment generates, uses and can radiate radio frequency energy and, if not installed and used in accordance with the instructions, may cause harmful interference to radio communications.

However, there is no guarantee that interference will not occur in a particular installation.

If this equipment does cause harmful interference to radio or television reception, which can be determined by turning the equipment off and on, the user is encouraged to try to correct the

interference by one or more of the following measures:

- . Reorient or relocate the receiving antenna.
- . Increase the separation between the equipment and receiver.
- . Connect the equipment into an outlet on a circuit different from that to which the receiver is connected
- . Consult the dealer or an experienced radio/TV technician for help.

This device complies with Part 15 of the FCC Rules.

Operation is subject to the following two conditions:

- 1) this device may not cause harmful interference, and
- 2) this device must accept any interference received, including interference that may cause undesired operation of the device.

Indoor use only

FCC Caution: Any changes or modifications not expressly approved by the party responsible for compliance could void the user's authority to operate this equipment.

FCC RF Radiation Exposure Statement:

This equipment complies with FCC radiation exposure limits set forth for an uncontrolled environment. End users must follow the specific operating instructions for satisfying RF exposure compliance.

This transmitter must not be co-located or operating in conjunction with any other antenna or transmitter.

(5) Industry Canada(IC) Statement

This device complies with RSS-210 of the Industry Canada Rules.

Operation is subject to the following two conditions:

- 1) this device may not cause interference and
- 2) this device must accept any interference. Including interference that may cause undesired operation of device.

This class B digital apparatus complies with Canadian ICES-003

Avis d'Industrie Canada

Cet appareil est conforme à norme CNR-210 des règlements d'Industrie Canada. Son fonctionnement est sujet aux deux conditions suivantes:

- 1) Cet appareil ne doit pas provoquer d'interférences et
- 2) Cet appareil doit accepter toute les interférences. y compris celles pouvant entraîner son dys-fonctionnement.

Cet appareil numérique de classe B est conforme à la norme NMB-003 du Canada.

IC Radiation Exposure Statement:

This equipment complies with IC radiation exposure limits set forth for an uncontrolled environment. End users must follow the specific operating instructions for satisfying RF exposure compliance.

This transmitter must not be co-located or operating in conjunction with any other antenna or transmitter.

NOTE: THE MANUFACTURERE IS NO T RESPONSIBLE FOR ANY RADIO OR TV INTERFERENCE CAUSED BY UNAUTHORIZED MODIFICATIONS TO THIS EQUIPMENT. SUCH MODIFICATIONS COULD VOID THE USER'S AUTHORITY TO OPERATE THE EQUIPMENT.

Avis d'Industrie Canada sur l'exposition aux rayonnements

Cet équipement est conforme aux limites d'exposition aux radiations dans un environnement non contrôlé. Les utilisateurs doivent suivre les instructions de fonctionnement spécifiques pour le respect d'exposition aux RF. Cet émetteur ne doit pas être co-localisés ou fonctionnant en conjonction avec une autre antenne ou transmetteur.

REMARQUE: LE FABRICANT N'EST PAS RESPONSIBLE DES INTERFÉRENCES RADIOÉLECTRIQUES CAUSÉES PAR DES MODIFICATIONS NON AUTORISÉES APPORTÉES APPORTÉES À CET APPAREIL. DE TELLES MODIFICATIONS POURRAIT ANNULER L'AUTORISATION ACCORDÉE À L'UTILISATEUR DE FAIRE FONCTIONNER L'APPAREIL.

(6) CE Statement

1) CE conformity Notice

LG Electronics hereby declares that this product is in compliance with the following Directives.

R&TTE Directive 1999/5/EC

LOW VOLTAGE Directive 2006/95/EC

The products described above comply with the essential requirements of the directives specified.

This device is a 2.4 wideband transmission system, intended for use in all EU member states and EFTA countries, except in France.

This device may not be used for setting up outdoor radio links in France and in some areas the RF output power may be limited to 10 mW EIRP in the frequency range of 2454 – 2483.5 MHz. For detailed information the end user should contact the national spectrum authority in France.

European representative:

LG Electronics Service Europe B.V. Veluwezoom 15, 1327

AE Almere. The Netherlands

(Tel : +31-(0)36-547-8888)

2) CE Notified Body statement:

This is a Class B product. In a domestic environment, this product may cause radio interference, in which case the user may be required to take adequate measures.

Explosive device proximity warning – Do not operate a portable transmitter (such as a wireless network device) near unshielded blasting caps or in an explosive environment unless the device has been modified to be qualified for such use.

This CE marking is valid for EU non-harmonized telecommunications products R&TTE Directive (1999/5/EC) issued by the Commission of the European Community.

3) Certification Marking



(6-1) **DEUTSCH**

EU-Konformitätserklärung:

LG Electronics erklärt hiermit, dass dieses Produkt den folgenden Richtlinien entspricht:

R&TTE-Richtlinie 1999/5/EC

Niederspannungsrichtlinie 2006/95/EC

Die oben beschriebenen Produkte entsprechen den grundlegenden Anforderungen der angegebenen Richtlinien.

Vertreter für Europa:

LG Electronics Service Europe B.V. Veluwezoom 15, 1327

AE Almere. The Netherlands

(Tel.: +31-(0)36-547-8888)

(6-2) FRANÇAIS

Notice de conformité UE:

LG Electronics atteste que ces produits est en conformité avec les Directives suivantes.

Directive 1999/5/CE des R&TTE

Directive 2006/95/CE des appareils basse tension

Les produits décrits ci-dessus sont en conformité avec les exigences essentiels des directives spéci-fiées.

Représentant en Europe :

LG Electronics Service Europe B.V. Veluwezoom 15, 1327

AE Almere. Pays-Bas

(Tél : +31-(0)36-547-8888)

(6-3) ITALIANO

Avviso di conformità EU:

LG dichiara che questo prodotto è conforme alle seguenti direttive.

Direttiva R&TTE 1999/5/CE

Direttiva BASSA TENSIONE 2006/95/CE

I prodotti descritti sopra sono conformi ai requisiti essenziali delle direttive specificate.

Rappresentante europeo:

LG Electronics Service Europe B.V. Veluwezoom 15, 1327

AE Almere. Paesi Bassi

(Tel: +31-(0)36-547-8888)

(6-4) ESPAÑOL

Aviso de conformidad con la UE:

Por la presente, LG Electronics declara que este producto cumple con las siguientes directivas.

Directiva sobre equipos radioeléctricos y equipos terminales de telecomunicación 1999/5/CE

Directiva sobre baja tensión 2006/95/CE

Los productos descritos anteriormente cumplen con los requisitos esenciales de las directivas especificadas.

Representante europeo:

LG Electronics Service Europe B.V. Veluwezoom 15, 1327

AE Almere. Países Bajos

(Tel: +31-(0)36-547-8888)

(6-5) PORTUGUÊS

Aviso de conformidade da UE:

A LG Electronics declara por este meio que este produto está em conformidade com as seguintes Directivas.

Directiva R&TTE 1999/5/CE

Directiva para equipamentos de BAIXA TENSÃO 2006/95/CE

Os produtos acima descritos estão em conformidade com os requisitos essenciais das directivas especificadas.

Representante europeu:

LG Electronics Service Europe B.V. Veluwezoom 15, 1327

AE Almere. Holanda

(Tel.: +31-(0)36-547-8888)

(6-6) NEDERLANDS

Conformiteitsverklaring (EU):

LG verklaart hierbij dat dit product voldoet aan de volgende richtlijnen.

R&TTE-richtlijn 1999/5/EC

Laagspanningsrichtlijn 2006/95/EC

De hierboven genoemde producten voldoen aan de essentiële voorwaarden van de gespecificeerde richtlijnen.

Europees hoofdkantoor:

LG Electronics Service Europe B.V. Veluwezoom 15

1327 AE Almere. Nederland

(Tel: +31-(0)36-547-8888)

(6-7) ΕΛΛΗΝΙΚΑ

Δήλωση συμμόρφωσης Ε.Ε.:

Η LG Electronics δηλώνει ότι το παρόν προϊόν συμμορφώνεται με τις εξής Οδηγίες:

Οδηγία 1999/5/EK περί Ραδιοεξοπλισμού και Τηλεπικοινωνιακού Τερματικού Εξοπλισμού (R&TTE)

Οδηγία 2006/95/EK περί Χαμηλής Τάσης

Τα παραπάνω προϊόντα συμμορφώνονται με τις ουσιώδεις απαιτήσεις των ανωτέρω οδηγιών.

Ευρωπαϊκός αντιπρόσωπος:

LG Electronics Service Europe B.V. Veluwezoom 15, 1327

AE Almere. Ολλανδία

(Τηλ: +31-(0)36-547-8888)

(6-8) MAGYAR

EU megfelelési nyilatkozat:

Az LG Electronics ezúton kijelenti, hogy a termék megfelel a következő irányelvek előírásainak:

1999/5/EK R&TTE irányelv

2006/95/EK KISFESZÜLTÉGŰ irányelv

A fentiekben bemutatott termékek teljesítik a megadott irányelvek alapvető előírásait.

Európai képviselő:

LG Electronics Service Europe B.V. Veluwezoom 15, 1327

AE Almere. Hollandia

(Tel: +31-(0)36-547-8888)

(6-9) **SVENSKA**

Meddelande om EU-regelefterlevnad:

LG Electronics intygar härmed att den här produkten uppfyller följande gällande direktiv:

R&TTE-direktivet 1999/5/EG

Lågspänningsdirektivet 2006/95/EG

Ovan nämnda produkter stämmer överens med de grundläggande kraven som anges i direktiven.

Europeisk representant:

LG Electronics Service Europe B.V. Veluwezoom 15, 1327

AE Almere. Nederländerna

(Tel: +31-(0)36-547-8888)

(6-10) **NORSK**

Samsvarsmerknad for EU:

LG Electronics erklærer herved at dette produktet er i henhold til de følgende direktivene.

R&TTE-direktiv 1999/5/EC

Lavspenningsdirektiv 2006/95/EC

Produktene som beskrives ovenfor, overholder kravene i de angitte direktivene.

Europeisk representant:

LG Electronics Service Europe B.V. Veluwezoom 15, 1327

AE Almere. Nederland

(Tlf.: +31-(0)36-547-8888)

(6-11) **DANSK**

EU-overensstemmelseserklæring:

LG Electronics erklærer hermed, at dette produkt overholder følgende direktiver.

R&TTE-direktiv 1999/5/EC

LOW VOLTAGE-direktiv 2006/95/EC

De produkter, der er beskrevet ovenfor, overholder de vigtigste krav i de angivne direktiver.

Europæisk repræsentant:

LG Electronics Service Europe B.V. Veluwezoom 15, 1327

AE Almere. Holland

(Tlf.: +31-(0)36-547-8888)

(6-12) **SUOMI**

EU-vaatimustenmukaisuusilmoitus:

LG Electronics vakuuttaa täten, että tämä tuote on seuraavien direktiivien mukainen.

R&TTE-direktiivi 1999/5/EC

LOW VOLTAGE -direktiivi 2006/95/EC

Edellä mainitut tuotteet ovat eriteltyjen direktiivien oleellisten vaatimusten mukaisia.

Edustaja Euroopassa:

LG Electronics Service Europe B.V. Veluwezoom 15, 1327

AE Almere. Alankomaat

(Puh: +31 (0)36 547 8888)

(6-13) **EESTI**

EÜ vastavuskinnitus:

Käesolevaga kinnitab LG Electronics, et see toode ühildub järg-miste direktiividega..

Raadioseadmete ja telekommunikatsioonivõrgu lõppseadmete direktiiv
1999/5/EÜ

MADALPINGESEADMETE direktiiv 2006/95/EÜ

Eelnimetatud tooted vastavad märgitud direktiivide oluliste nõuetele.

Euroopa esindus:

LG Electronics Service Europe B.V. Veluwezoom 15, 1327

AE Almere. Holland

(Tel : +31-(0)36-547-8888)

(6-14) **LIETUVIŲ K**

EB atitikties deklaracija:

„LG Electronics“ pareiškia, kad šis produktas atitinka tokias direktyvas.

R&TTE direktyvą 1999/5/EB

Žemos įtampos direktyvą 2006/95/EB

Aukščiau įvardinti produktai atitinka nurodytų direktyvų esminius reikalavimus.

Atstovas Europoje:

LG Electronics Service Europe B.V. Veluwezoom 15, 1327

AE Almere. Nyderlandai

(Tel. +31-(0)36-547-8888)

(6-15) **LATVIEŠU**

Paziņojums par atbilstību ES direktīvām:

LG Electronics ar šo paziņo, ka šis izstrādājums atbilst turpmāk minētajām direktīvām.

R&TTE direktīva 1999/5/EK

Direktīva par zemspriegumu 2006/95/EK

Iepriekš aprakstītie izstrādājumi atbilst norādīto direktīvu būtiskajām prasībām.

Pārstāvniecība Eiropā:

LG Electronics Service Europe B.V. Veluwezoom 15, 1327

AE Almere. Nīderlande

(Tel.: +31-(0)36-547-8888)

(6-16) SLOVENŠČINA

Izjava o skladnosti EU:

LG Electronics izjavlja, da je ta izdelek v skladu z naslednjimi direktivami.

Direktiva 1999/5/ES o radijski opremi in telekomunikacijski terminalski opremi ter medsebojnem priznavanju skladnosti te opreme

Direktiva 2006/95/ES o nizki napetosti

Zgoraj opisani izdelki izpolnjujejo bistvene zahteve navedenih direktiv.

Evropski zastopnik:

LG Electronics Service Europe B.V. Veluwezoom 15, 1327

AE Almere. The Netherlands

(Tel: +31-(0)36-547-8888)

(6-17) **SRPSKI**

Napomena o usklađenosti sa standardima:

LG Electronics ovim izjavljuje da je ovaj proizvod usklađen sa sledećim direktivama:.

R&TTE direktiva 1999/5/EC

NISKONAPONSKA direktiva 2006/95/EC

Prethodno opisani proizvodi usklađeni su s osnovnim zahtevima iz navedenih direktiva.

Evropski predstavnik:

LG Electronics Service Europe B.V. Veluwezoom 15, 1327

AE Almere. Holandija

(Tel: +31-(0)36-547-8888)

(6-18) **HRVATSKI**

Napomena o sukladnosti s EU standardima:

LG Electronics ovim putem izjavljuje da je ovaj proizvod sukladan sljedećim Direktivama.

R&TTE direktiva 1999/5/EC

Direktiva o niskonaponskim uređajima 2006/95/EC

Gore opisan proizvod sukladan je osnovnim zahtjevima navedenih direktiva.

Zastupnik za Europu:

LG Electronics Service Europe B.V. Veluwezoom 15, 1327

AE Almere. The Netherlands

(Tel.: +31-(0)36-547-8888)

(6-19) TÜRKCÇE

AB Uygunluk Bildirimi:

LG Electronics, burada bu ürünün aşığıdaki Direktifler ile uyumlu olduğunu beyan eder.

R&TTE Direktifi 1999/5/EC

DÜŞÜK VOLTAJ Direktifi 2006/95/EC

Yukarıda anlatılan ürünler, belirtilen direktiflerin gereklilikleri ile uyumludur.

Avrupa temsilciliğı :

LG Electronics Service Europe B.V. Veluwezoom 15, 1327

AE Almere. The Netherlands

(Tel : +31-(0)36-547-8888)

(6-20) **SHQIP**

Deklarata e Konformitetit për BE-në:

LG Electronics nëpërmjet kësaj deklaron se ky produkt është në përputhje me Direktivat e mëposhtme.

Direktivën R&TTE 1999/5/KE

Direktivën për VOLTAZHIN E ULËT 2006/95/KE

Produktet e përshkruara më lart përputhen me kërkesat thelbësore të direktivave të specifikuar.

Përfaqësuesi evropian:

LG Electronics Service Europe B.V. Veluwezoom 15, 1327

AE Almere. The Netherlands

(Tel : +31-(0)36-547-8888)

(6-21) **BOSANSKI**

Napomena o usklađenosti sa propisima EU:

LG Electronics ovim putem izjavljuje da je ovaj proizvod usklađen sa sljedećim direktivama:

Direktiva o radijskoj opremi i telekomunikacijskoj terminalnoj opremi
1999/5/EC

Direktiva o niskonaponskoj opremi 2006/95/EC

Opisani proizvodi usklađeni su sa ključnim zahtjevima navedenih direktiva.

Predstavnik za Europu:

LG Electronics Service Europe B.V. Veluwezoom 15, 1327

AE Almere. The Netherlands

(Tel : +31-(0)36-547-8888)

(6-22) **MACEDONIAN**

Известување за усогласеност со ЕУ:

LG Electronics јавно изјавува дека овој производ е во согласност со следните директиви.

R&TTE директива 1999/5/EC

Директива за НИЗОК НАПОН 2006/95/EC

Производите опишани погоре ги исполнуваат основните услови од посочените директиви.

Европски претставник:

LG Electronics Service Europe B.V. Veluwezoom 15, 1327

AE Almere. The Netherlands

(Тел : +31-(0)36-547-8888)

(6-23) ҚАЗАҚША

ЕО сәйкестік туралы ескертуі:

LG Electronics осы құжат арқылы бұл құрылғының мына директиваларға сай екенін мәлімдейді.

Радио және телекоммуникациялық жабдықтардың 1999/5/ЕС директивасы

Төмен кернеулі жабдықтардың 2006/95/ЕС директивасы

Жоғарыда сипатталған өнімдер көрсетілген директивалардың негізгі талаптарына сай келеді.

Еуропадағы өкілдік:

LG Electronics ServiceЕуропа B.V. Veluwezoom 15, 1327

AE Almere. Нидерланд

(Тел : +31-(0)36-547-8888)

(6-24) **РУССКИЙ**

Уведомление о соответствии нормам ЕС:

Компания LG Electronics настоящим заявляет о том, что данное изделие соответствует следующим директивам.

Директива R&TTE 1999/5/EC

Директива LOW VOLTAGE 2006/95/EC

Описанные выше изделия соответствуют основным требованиям указанных директив.

Представительство в Европе:

LG Electronics Service Europe B.V. Veluwezoom 15, 1327

AE Almere. The Netherlands

(Тел.: +31-(0)36-547-8888)

(6-25) Українська

Підтвердження відповідності стандартам ЄС:

Цим компанія LG Electronics підтверджує відповідність цього продукту вимогам директив, що перелічені нижче.

Директива R&TTE, 1999/5/EC

Директива НИЗЬКОЇ НАПРУГИ, 2006/95/EC

Описані вище продукти відповідають основним вимогам вказаних директив.

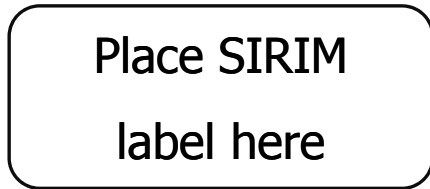
Уповноважена особа у Європі:

LG Electronics Service Europe B.V. Veluwezoom 15, 1327

AE Almere. Нідерланди

(Номер тел.: +31-(0)36-547-8888)

(7) Malaysia SIRIM Sticker



(8) Israel MoC ID

MoC: 51-25849

MoC: 51-25789

(9) **Ukraine**

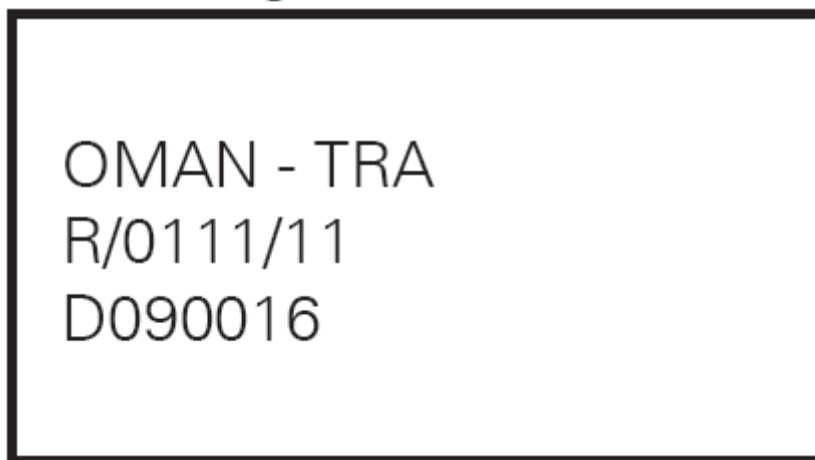


001



003

(10) **Oman**



(11) **Singapore**



[Specification]

- 1) Model Name: AN-MR300C
- 2) Batch/Serial No.: -
- 3) Manufacturer: **OHSUNG Electronics**
- 4) Brand: LG Electronics
- 5) Product Name: RF dongle
- 6) The USB port has to be connected to USB interface USB2.0 versions or higher.

