



APPENDIX G
: USER'S MANUAL



English

User Manual

NETWORK MONITOR

Please read the safety information carefully before using the product.

Network Monitor Model(s)
N1910LZ

www.lg.com

TABLE OF CONTENTS

3 ASSEMBLY AND PREPARATION

- 3 Product Components
- 4 Component and Button Description
- 6 Monitor Installation
- 6 - Assembling the stand base
- 6 - Detaching the stand base and the stand body
- 7 - Adjusting the stand height
- 7 - Adjusting the angle
- 8 - Pivot feature
- 9 - Installing on a table
- 9 - Using the Kensington locking device
- 10 - Detaching the stand base and the stand body
- 10 - Installing the wall mount plate
- 11 - Installing on a wall

12 USING THE MONITOR

- 12 Connecting Input Signal Cable
- 12 - D-SUB connection
- 13 - DVI connection - PCoIP
- 14 Connecting LAN/Peripherals
- 14 LAN connection - PCoIP
- 15 - Peripheral device connection
- 16 - Self Image Adjustment

17 USER CONFIGURATION

- 17 Activating the Main Menu
- 18 MENU Settings
- 18 - Picture
- 19 - Color
- 20 - Display
- 21 - Others
- 22 MODE Settings
- 22 - F-ENGINE
- 23 - PHOTO EFFECT
- 24 AUTO Settings

25 TROUBLESHOOTING

27 PRODUCT SPECIFICATION

- 27 N1910LZ
- 28 Preset Mode
- 28 Power Indicator

29 PROPER POSTURE

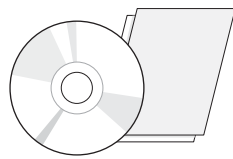
- 29 Proper posture for using the monitor

30 USING PCOIP SOLUTION

ASSEMBLY AND PREPARATION

Product Components

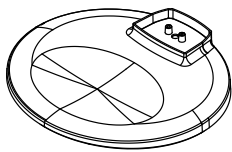
Please check whether all the components are included in the box before using the product. If there are missing components, contact the retail store where you purchased the product. Note that the product and components may look different from those shown here.



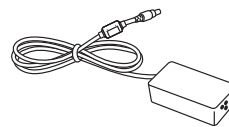
User Manual/Card



Power Cord



Stand Base



Adaptor



CAUTION

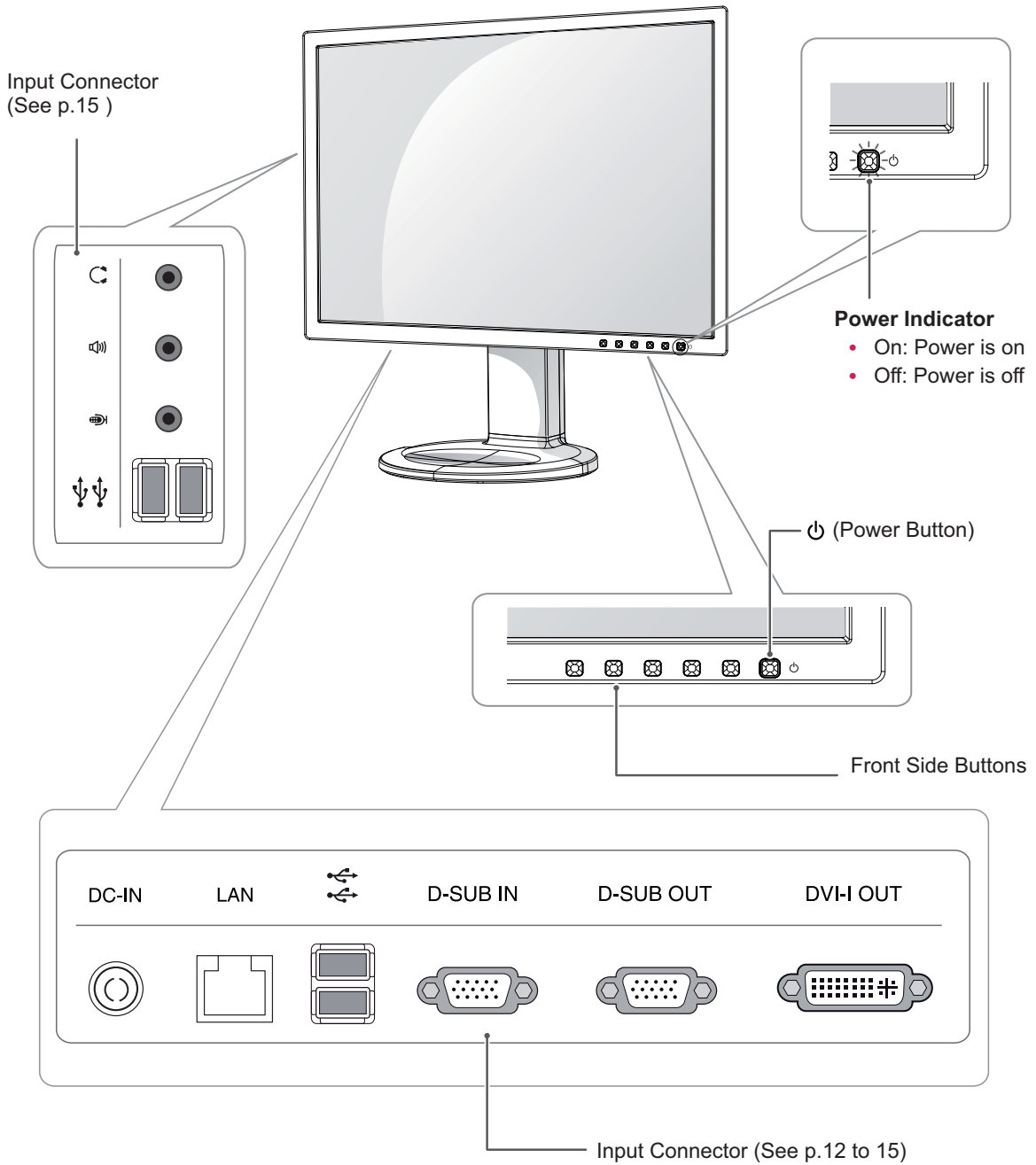
- Always use genuine components to ensure safety and product life.
- The product warranty will not cover damage or injury caused by the use of counterfeit components.




NOTE

- Note that the components may look different from those shown here.
- Without prior notice, all information and specifications in this manual are subject to change to improve the performance of the product.
- To purchase optional accessories, visit an electronics store or online shopping site or contact the retail store where you purchased the product.

Component and Button Description



Button	Description	
MENU	Activates the main menu.	
	OSD Lock/Unlock Functions	Locks/unlocks the OSD screen. <ul style="list-style-type: none"> To lock the OSD screen, press and hold the MENU button for several seconds. The "OSD LOCKED" message will be displayed and the screen will be locked. To unlock the OSD screen, press and hold the MENU button again for several seconds. The "OSD UNLOCKED" message will be displayed and the screen will be unlocked.
MODE	Moves to the F-ENGINE and PHOTO EFFECT options.	
AUTO	To adjust the monitor settings, press the AUTO button on the MONITOR SETUP OSD menu (only supported for analog signal). For optimal screen display, use the following resolution.	
	Optimal Resolution	1280 x 1024
INPUT	Allows selection of the input signal. <ul style="list-style-type: none"> If you connect the monitor to a computer using a D-SUB cable, select either the PCoIP or D-SUB input signal. If only one computer is connected to the monitor, the input signal is detected automatically. The initial input signal is PCoIP. 	
EXIT	Exits the OSD menu.	
 (Power Button)	<ul style="list-style-type: none"> D-SUB Input: Power On/Off PCoIP Input Monitor Off: Press the power button twice, or press the power button and wait for 10 seconds. PCoIP Off: Press the power button, then press the EXIT button located next to the power button. PCoIP On: Press the power button.	
	Power Indicator	When the monitor is in operating mode, the power indicator will turn white (on mode). When the monitor is in power saving mode, the power indicator will blink white.

Monitor Installation

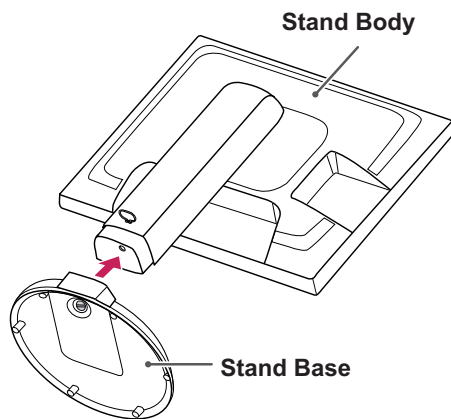
Assembling the stand base

- 1 Place the monitor's screen face down.

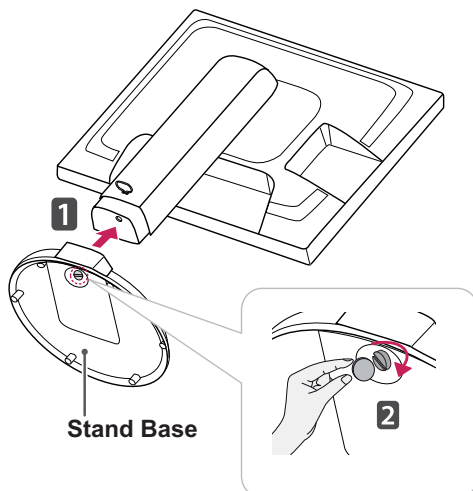
CAUTION

- To protect the screen from scratches, cover the surface with a soft cloth.

- 2 Check the **position (at the front and rear)** of the stand body, **then** mount the **stand base** on the **stand body** as shown in the figure.

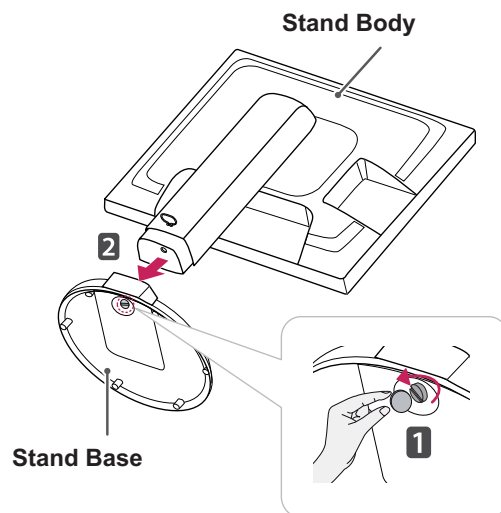


- 3 Using a coin, turn the screw clockwise to secure the **stand base**.



Detaching the stand base and the stand body

- 1 Place the monitor's screen face down.
To protect the screen from scratches, cover the surface with a soft cloth.
- 2 Using a coin, turn the screw in the stand base counterclockwise. Detach the **stand base** from the **stand body**.



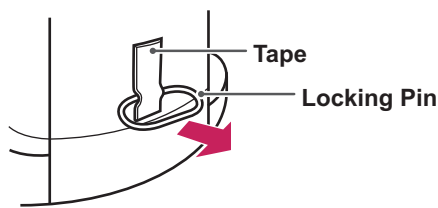
CAUTION

- The components appearing in the illustrations may look different from the actual product.
- Do not carry the monitor upside-down as this may cause it to fall off its stand, resulting in damage or injury.
- To avoid damaging the screen when lifting or moving the monitor, only hold the stand or the plastic cover. This avoids putting unnecessary pressure on the screen.
- Only remove the tape and the locking pin when the monitor is mounted on the stand base and is in an upright position. Otherwise, the stand body may protrude, which may lead to injury.

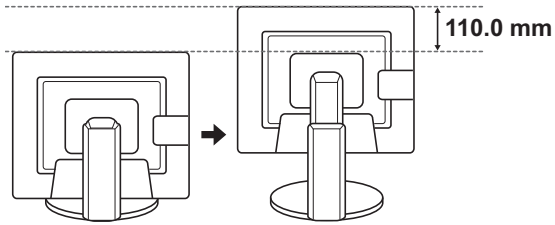
Adjusting the stand height

- 1 Place the monitor mounted on the stand base in an upright position.
- 2 Remove the **tape** attached at the bottom rear of the **stand body**, then pull out the **locking pin**.

Stand Body



- 3 The height can be adjusted up to 110 mm.



CAUTION

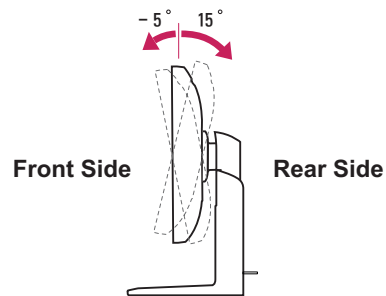
- Once the pin is removed, it is not necessary to re-insert it to adjust the height.

WARNING

- Do not put your finger between the screen and the base (chassis) when adjusting the screen's height.

Adjusting the angle

- 1 Place the monitor mounted on the stand base in an upright position.
- 2 Adjust the angle of the screen. The angle of the screen can be adjusted up to 15° forwards and 5° backwards for a comfortable viewing experience.



WARNING

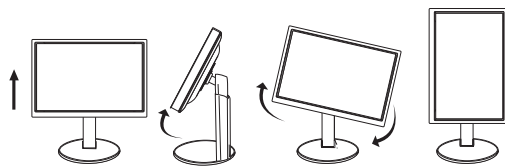
- To avoid injury to the fingers when adjusting the screen, do not hold the lower part of the monitor's frame as illustrated below.

- Be careful not to touch or press the screen area when adjusting the angle of the monitor.

Pivot feature

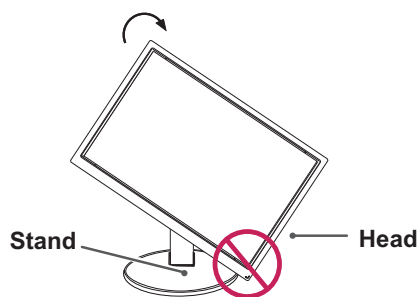
The pivot feature allows the monitor to rotate 90° clockwise.

- 1 Raise the monitor up to the maximum height.
- 2 Rotate the monitor 90° clockwise as illustrated.



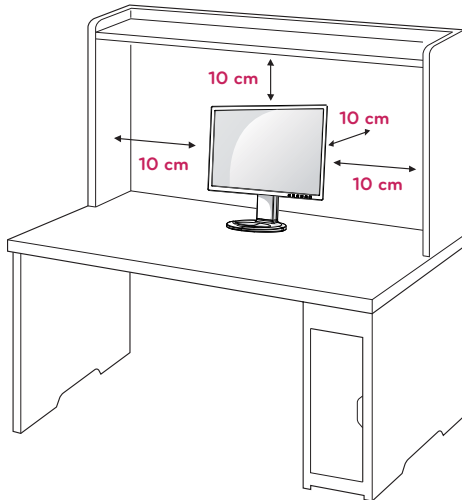
CAUTION

- Take care when rotating the monitor if the cable is connected.
- To avoid scratching the stand base, make sure that when rotating the screen using the pivot feature, the stand does not make contact with the monitor.

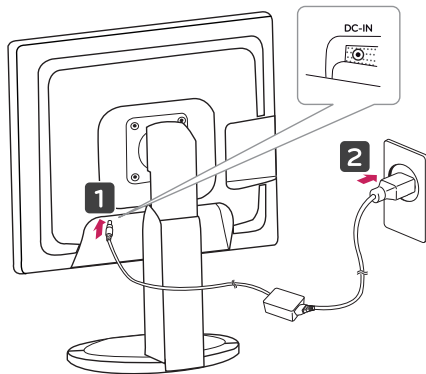


Installing on a table

- 1 Lift the monitor and place it on the table in an upright position.
Install at least **10 cm** away from the wall to ensure sufficient ventilation.



- 2 Connect the adaptor to the monitor, then plug the power cord into the wall outlet.



- 3 Press the ⏻ (Power) button on the front of the monitor to turn on the monitor.



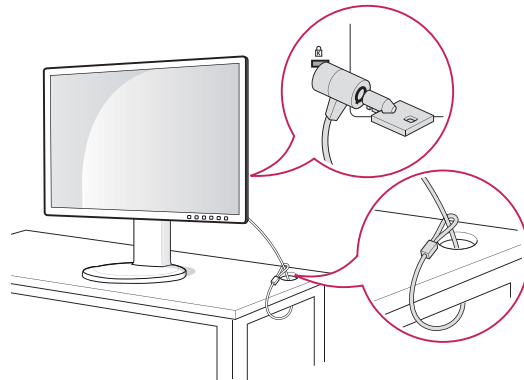
CAUTION

Unplug the power cord prior to moving or installing the monitor. There is risk of electric shock.

Using the Kensington locking device

The connector for the Kensington lock is located on the rear of the monitor.
For more information on installation and usage, refer to the Kensington lock user manual or visit the website at <http://www.kensington.com>.

Connect the monitor to the table with the Kensington lock cable.

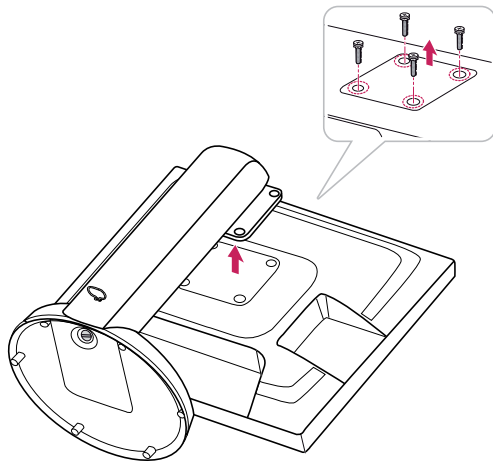


NOTE

Using the Kensington lock is optional. The accessories can be purchased at your local electronics store.

Detaching the stand base and the stand body

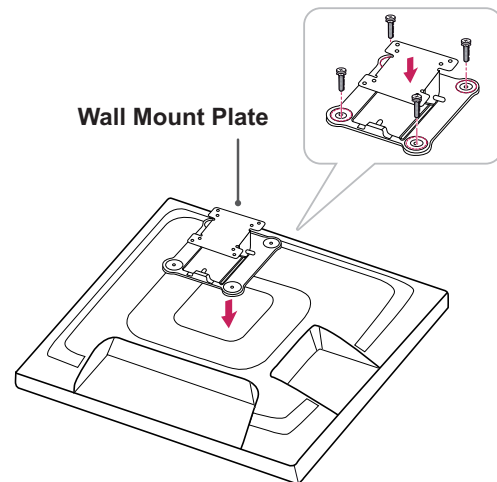
- 1 Place the monitor's screen face down. To protect the screen from scratches, cover the surface with a soft cloth.
- 2 Using a screwdriver, remove the four screws and detach the stand from the monitor.



Installing the wall mount plate

This monitor supports the specification of the standard wall mount plate or compatible device.

- 1 Place the monitor's screen face down. To protect the screen from scratches, cover the surface with a soft cloth.
- 2 Place the wall mount plate on the monitor and align it with the screw holes on the monitor.
- 3 Using a screwdriver, tighten the four screws to fix the plate onto the monitor.

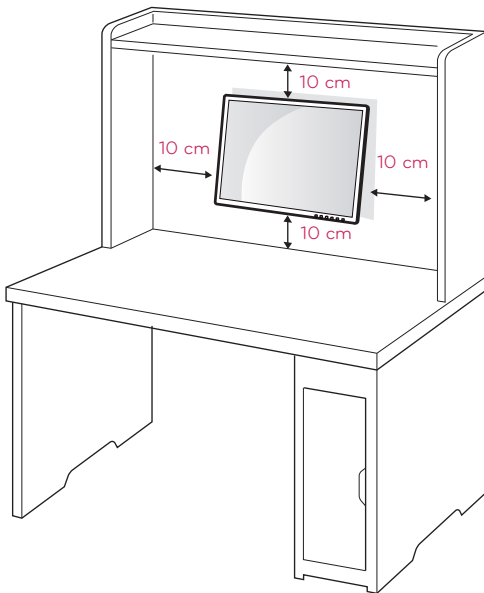


! NOTE

- The wall mount plate is sold separately.
- For more information on the installation, refer to the wall mount plate's installation guide.

Installing on a wall

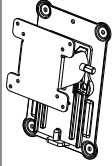
Install the monitor at least 10 cm away from the wall and leave about 10 cm of space at each side of the monitor to ensure sufficient ventilation. Detailed installation instructions can be obtained from your local retail store. Please refer to the manual to install and set up a tilting wall mounting bracket.



If you want to mount the monitor on the wall (optional), attach the wall mounting bracket to the rear of the monitor.

Make sure that the wall mounting bracket is securely fixed to the monitor and to the wall. Use the wall mount plate and screws that comply with the VESA standard as specified below.

- 784.8 mm (30.9 inch) or less
 - * Thickness of the wall mount plate: 2.6 mm
 - * Fastening screw: Diameter 4.0 mm x Pitch 0.7 mm x Length 10 mm
- 787.4 mm (31.0 inch) or greater
 - * Use the wall mount plate and screws conforming to the VESA standard.

Model	N1910LZ
VESA (A x B)	75 x 75
Stand Screw	M4
Required Screw	4
Wall Mount Plate (Optional)	RW120 

! CAUTION

- Unplug the power cord before moving or installing the monitor to avoid electric shocks.
- Installing the monitor on the ceiling or on a slanted wall may result in the monitor falling off, which could lead to injury. Please use the genuine LG wall mounting bracket. For more information, contact your local retail store or a qualified installer.
- Applying excessive force when fastening screws may cause damage to the monitor. Damage caused in this way will not be covered by the product warranty.
- Use the wall mounting bracket and screws that conform to the VESA standard. Damage caused by the use or misuse of inappropriate components will not be covered by the product warranty.

! NOTE

- Use the screws specified in the VESA standard.
- The wall mount kit includes the installation guide and necessary parts.
- The wall mounting bracket is optional. The accessories can be purchased at your local retail store.
- The length of the screw may differ for each wall mounting bracket. Ensure the correct length of the screw is used.
- For more information, please refer to the user manual for the wall mounting bracket.

USING THE MONITOR

Connecting Input Signal Cable

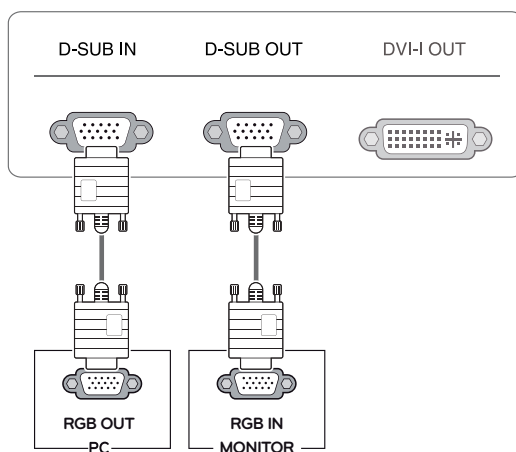
- This monitor supports the *Plug and Play feature.
*Plug and Play: A feature that allows you to add a device to your computer, without having to reconfigure anything or install any manual drivers.

D-SUB connection

D-SUB IN transfers analog video signals from the PC to the monitor.

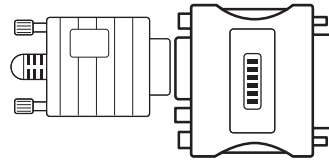
D-SUB OUT can only replicate the image displayed on the monitor. (it does not support an extended monitor.)

Connect the monitor to the PC using the provided 15-pin D-SUB signal cable as illustrated below.



NOTE

- When using a Macintosh D-SUB input cable



- Macintosh Adaptor: Use the standard Macintosh adaptor. Other commercial adaptors may not be compatible (due to the signaling difference).

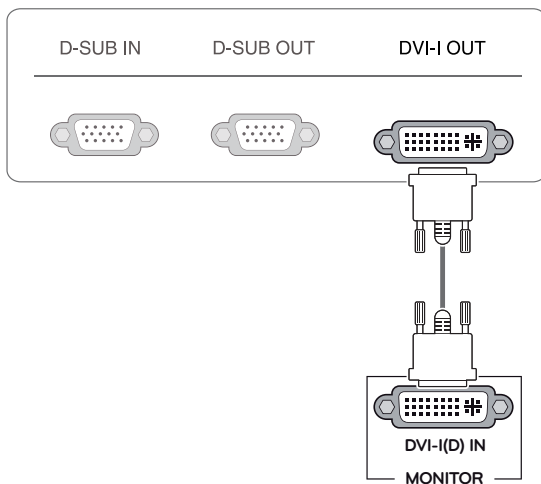
NOTE

- When using this device simply as a regular monitor through the RGB IN port, set "PCoIP" to OFF in MENU > OTHERS to reduce energy consumption.

DVI connection - PCoIP

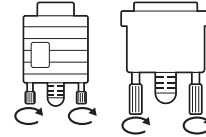
Transfers digital video signals to another monitor. Connect the monitor using the DVI cable as illustrated below.

This connection is used to support an extended monitor or replicate the image displayed on the monitor.



CAUTION

- Connect the input signal cable and turn in the direction of the arrow. To prevent disconnection, secure the cable tightly.
- Do not press on the screen for a prolonged time. This may cause image distortion.
- Do not display a still image on the screen for a prolonged time. This may cause image retention. If possible, use the screen saver.



English



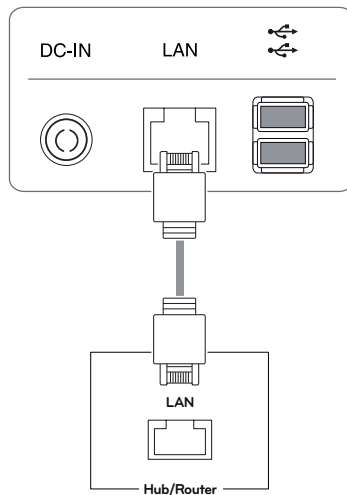
NOTE

- To connect the monitor to a computer, use the appropriate signal cable (LAN and D-SUB).
- A converter can be used to convert the DVI-I input signal to D-SUB input signal.
- When connecting the power cord to the outlet, use a grounded (3-hole) multi-socket or a grounded wall outlet.
- The monitor may flicker when turned on in an area of low temperature. This is normal.
- Sometimes red, green or blue spots may appear on the screen. This is normal.

Connecting LAN/Peripherals

LAN connection - PCoIP

Transfers PCoIP signals to the monitor. Connect the router or switch to the monitor using a LAN cable as illustrated below.



! NOTE

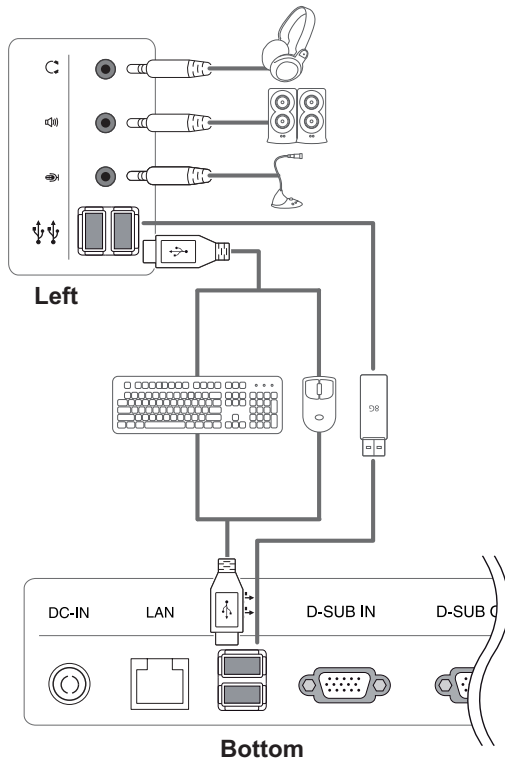
- The LAN cable is sold separately.
- The following LAN cable type can be used:
Standard: IEEE 802.3 ETHERNET
- When connecting the Earphone Out or Line Out through the LAN, use the volume icon on the taskbar of your PC to adjust the volume.

! NOTE

- Connect the LAN cable and the peripheral device prior to booting up the PC.

Peripheral device connection

Connect a peripheral device to the monitor using the USB, headphone, earphone, and speaker ports. Connect the peripheral device to the monitor as illustrated below.

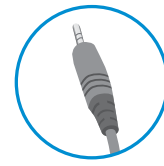


! NOTE

- Peripheral devices are sold separately.
- The USB ports on the left and bottom of the monitor can be used to connect the keyboard, mouse, and other USB devices.
- For an angle plug earphone/microphone, it is difficult to connect it with a peripheral device, so use a straight type.



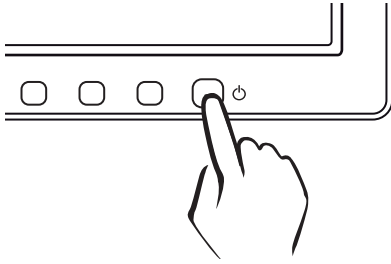
Angle Type



Straight Type

Self Image Adjustment

Press the power button on the front to turn on the monitor. When powered on, the **"Self Image Adjustment"** function will run automatically (only available for analog [D-SUB input] signals).



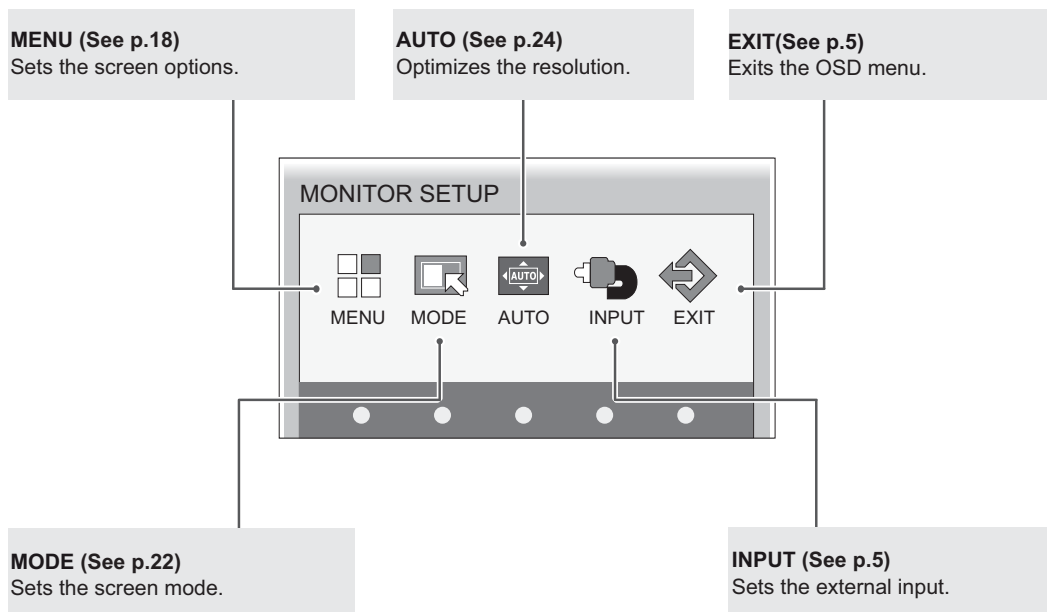
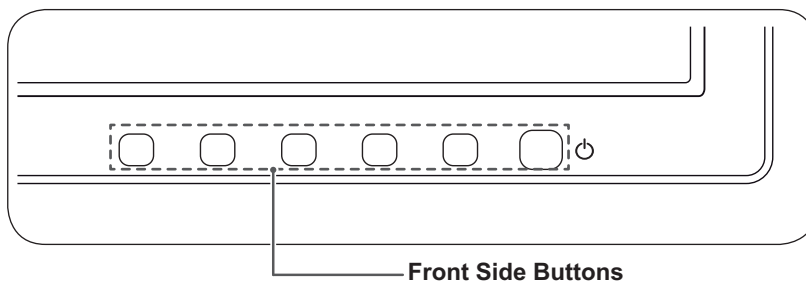
! NOTE

- What is "Self Image Adjustment"? This function runs when the monitor is connected for the first time and performs automatic image adjustment for each signal (only available for analog [D-SUB input] signals) to provide an optimal screen display.

USER CONFIGURATION

Activating the Main Menu

- 1 Press any button on the front of the monitor to display the MONITOR SETUP OSD menu.
- 2 Press to select the desired menu item.
- 3 To change the settings of the selected item press the buttons on the front of the monitor.
To return to the upper menu or set other menu items, use the up arrow (↑) button.
- 4 Select EXIT to leave the OSD menu.



NOTE

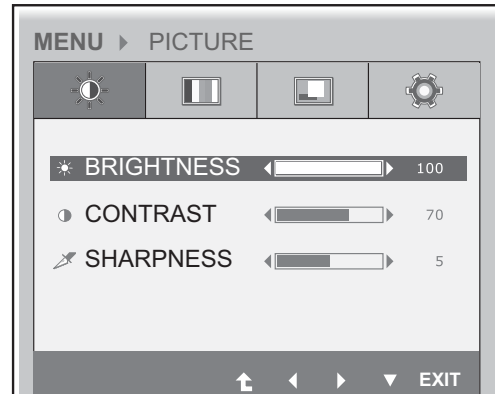
Different menu items are enabled depending on the type of input signal.

- **D-SUB/PCoIP Input:** MENU, MODE, AUTO, INPUT, EXIT
- The language of the monitor's OSD menu and that of the OSD menu illustrated in the CD-ROM manual may be different.

MENU Settings

Picture

- 1 Press any button on the front of the monitor to display the **MONITOR SETUP** OSD menu.
- 2 Press the **MENU** button to display the options in the OSD menu.
- 3 Set the options by pressing the buttons on the front of the monitor.
- 4 Select **EXIT** to leave the OSD menu.
To return to the upper menu or set other menu items, use the up arrow (↑) button.



Each option is explained below.

Menu	Analog (D-SUB)	PCoIP	Description
BRIGHTNESS	•	•	Sets the brightness of the screen.
CONTRAST	•	•	Sets the contrast of the screen.
SHARPNESS	•	•	Sets the sharpness of the screen.

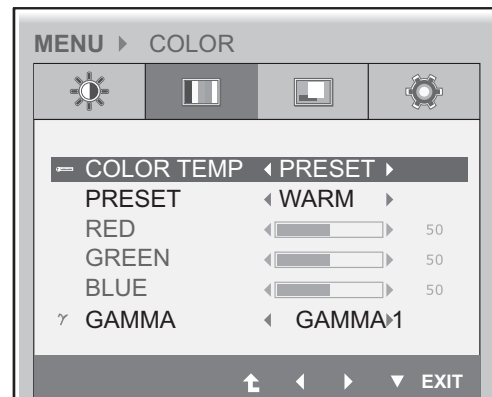
- **Analog:** D-SUB (analog signal) input. **PCoIP:** Internal signal through the LAN.

! NOTE

- If the screen is not displayed properly after adjusting the settings, use the "FACTORY RESET" option to revert back to the factory default settings. If necessary, enable the "WHITE BALANCE" option again. This option is enabled only for analog (D-SUB) signals.

Color

- 1 Press any button on the front of the monitor to display the **MONITOR SETUP** OSD menu.
- 2 Press the **MENU** button to display the options in the OSD menu.
- 3 Set the options by pressing the buttons on the front of the monitor.
- 4 Select **EXIT** to leave the OSD menu.
To return to the upper menu or set other menu items, use the up arrow (↑) button.



English

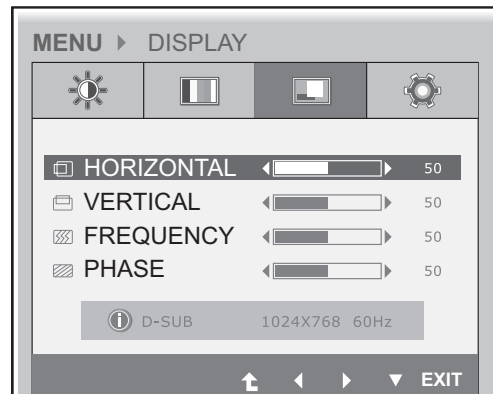
Each option is explained below.

Menu	Analog (D-SUB)	PCoIP	Description
COLOR TEMP	•	•	Allows PRESET or USER to be selected.
PRESET	•	•	sRGB Sets the screen color according to the sRGB color standard.
			WARM Sets the screen color to a reddish tone.
			STANDARD Sets the screen color between the reddish and bluish tone.
			COOL Sets the screen color to a bluish tone.
USER	•	x	You can customize the picture color using Red, Green, and Blue colors.
GAMMA	•	•	Sets the clarity of the screen. The gamma value can be set to 0, 1 or 2, from darker to brighter screen colors respectively.

- **Analog: D-SUB (analog signal) input. PCoIP: Internal signal through the LAN.**

Display

- 1 Press any button on the front of the monitor to display the **MONITOR SETUP** OSD menu.
- 2 Press the **MENU** button to display the options in the OSD menu.
- 3 Set the options by pressing the buttons on the front of the monitor.
- 4 Select **EXIT** to leave the OSD menu.
To return to the upper menu or set other menu items, use the up arrow (↑) button.



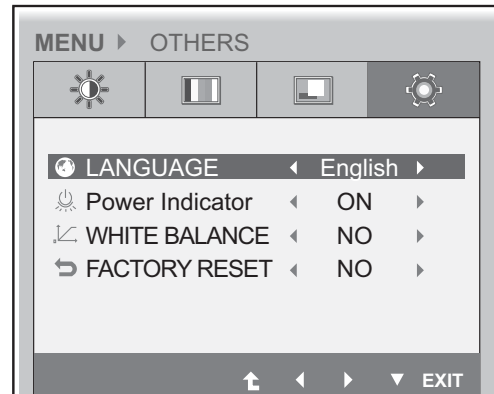
Each option is explained below.

Menu	Analog (D-SUB)	PCoIP	Description
HORIZONTAL	•	x	Moves the display area left or right.
VERTICAL	•	x	Moves the display area up or down.
FREQUENCY	•	x	If vertical lines are shown on the screen, adjust the frequency to minimize the lines and adjust the screen's horizontal width.
PHASE	•	x	Adjusts the focus of the screen's image. Use when frequencies are shown on the screen or when the text appears overlapped. For optimal results, use this option after adjusting the "FREQUENCY" option.

- **Analog:** D-SUB (analog signal) input. **PCoIP:** Internal signal through the LAN.

Others

- 1 Press any button on the front of the monitor to display the **MONITOR SETUP** OSD menu.
- 2 Press the **MENU** button to display the options in the OSD menu.
- 3 Set the options by pressing the buttons on the front of the monitor.
- 4 Select **EXIT** to leave the OSD menu.
To return to the upper menu or set other menu items, use the up arrow (↑) button.



English

Each option is explained below.

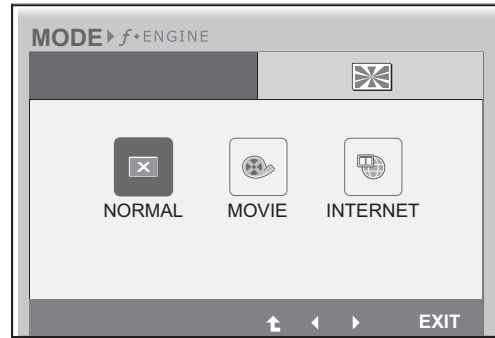
Menu	Analog (D-SUB)	PCoIP	Description	
LANGUAGE	•	•	Sets the menu screen to the desired language.	
PCoIP	•	x	Allows the PCoIP to be turned ON or OFF. If the input is PCoIP, the "PCoIP" option is disabled. This option is enabled when analog signals are input via D-SUB.	
			<table border="1"> <thead> <tr> <th>If PCoIP is ON</th> <th>If PCoIP is OFF</th> </tr> </thead> <tbody> <tr> <td>- Use the INPUT button to switch between PCoIP and D-SUB. - If the D-SUB cable is removed, the input will automatically be switched to PCoIP.</td> <td>- If the D-SUB cable is removed, "No Signal" will be displayed. - If INPUT is set to D-SUB, when DC is switched from ON to OFF, PCoIP will not be enabled.</td> </tr> </tbody> </table>	If PCoIP is ON
If PCoIP is ON	If PCoIP is OFF			
- Use the INPUT button to switch between PCoIP and D-SUB. - If the D-SUB cable is removed, the input will automatically be switched to PCoIP.	- If the D-SUB cable is removed, "No Signal" will be displayed. - If INPUT is set to D-SUB, when DC is switched from ON to OFF, PCoIP will not be enabled.			
WHITE BALANCE	•	x	If the video card output is different from the specified level, the color may appear to have altered due to the video signal distortion. The white balance adjusts the output signal level to correspond to that of the standard signal, thus providing optimal display. Run this option when the screen displays an image with both white and black.	
FACTORY RE-SET	•	•	Resets the screen to the factory default settings. Note that the language option will not be reset.	

- **Analog: D-SUB (analog signal) input. PCoIP: Internal signal through the LAN.**

MODE Settings

F-ENGINE

- 1 Press any button on the front of the monitor to display the **MONITOR SETUP** OSD menu.
- 2 Press the **MODE** button to display the options in the OSD menu.
- 3 Set the options by pressing the buttons on the front of the monitor.
- 4 Select **EXIT** to leave the OSD menu.
To return to the upper menu or set other menu items, use the up arrow (↑) button.



Each option is explained below.

Menu	Analog (D-SUB)	PCoIP	Description
NORMAL	•	•	Select this option for everyday viewing. * If F-ENGINE is not set to NORMAL , CONTRAST is disabled.
MOVIE	•	•	Select this option when watching videos or movies.
INTERNET	•	•	Select this option when working on a document (e.g. Microsoft Word) for a prolonged period of time.

- **Analog: D-SUB (analog signal) input. PCoIP: Internal signal through the LAN.**

PHOTO EFFECT

- 1 Press any button on the front of the monitor to display the **MONITOR SETUP** OSD menu.
- 2 Press the **MODE** button to display the options in the OSD menu.
- 3 Set the options by pressing the buttons on the front of the monitor.
- 4 Select **EXIT** to leave the OSD menu.
To return to the upper menu or set other menu items, use the up arrow (↑) button.



English

Each option is explained below.

Menu	Analog (D-SUB)	PCoIP	Description
NORMAL	•	•	The PHOTO EFFECT option is disabled. * If the PHOTO EFFECT option is not set to NORMAL, the CONTRAST is disabled and the screen is in grayscale. If you choose to display the screen in color, PHOTO EFFECT will be set to NORMAL and CONTRAST will be enabled. PHOTO EFFECT and F-ENGINE cannot be enabled at the same time.
GAUSSIAN	•	•	Displays the screen brighter and in a softer tone.
SEPIA	•	•	Displays the screen in sepia (brown) tone.
MONOCHROME	•	•	Displays the screen in grayscale (black and white).

- **Analog:** D-SUB (analog signal) input. **PCoIP:** Internal signal through the LAN.

AUTO Settings

- 1 Press any button on the front of the monitor to display the **MONITOR SETUP** OSD menu.
- 2 Press the **AUTO** button to automatically adjust the screen.
- 3 Select **EXIT** to leave the OSD menu.
To return to the upper menu or set other menu items, use the up arrow (↑) button.

**PROCESSING AUTO IMAGE ADJUSTMENT
FOR OPTIMAL DISPLAY
CHANGE RESOLUTION TO 1280 x 1024**

Pressing the AUTO button allows the monitor to automatically optimize the screen to the current display mode.

If you are not satisfied with the optimized screen, you can manually adjust the position of the display area, frequency, phase and sharpness in the OSD menu.

(Only available for D-SUB [analog] signals. Note that the sharpness setting is only available for digital signals.)

NOTE

- What is "Auto Image Adjustment"? The Auto Image Adjustment option allows you to improve the picture quality if the screen is dimmed, if the text appears blurred or spread, if the screen flickers or if the display area is not centered after adjusting the resolution. (Only available for D-SUB [analog] signals.)

TROUBLESHOOTING

Nothing is displayed on the screen	
Is the monitor's power cord plugged in?	<ul style="list-style-type: none"> • Check if the power cord is correctly plugged in to the outlet.
Is the power indicator on?	<ul style="list-style-type: none"> • Check the power indicator.
Is the power indicator displaying as white?	<ul style="list-style-type: none"> • Adjust the brightness and the contrast.
Is the power indicator blinking?	<ul style="list-style-type: none"> • If the monitor is in power saving mode, move the mouse or press any key on the keyboard to switch the display on. • Check if the computer is turned on.
Is the "OUT OF RANGE" message displayed?	<ul style="list-style-type: none"> • This occurs when signals transferred from the PC (video card) are out of the horizontal or vertical frequency range of the monitor. Please see the "Product Specification" section of this manual to set the appropriate frequency.
Is the "CHECK SIGNAL CABLE" message is displayed?	<ul style="list-style-type: none"> • This is displayed when the signal cable between the PC and the monitor is missing or disconnected. Check the cable and reconnect.

The "OSD LOCKED" message is displayed.	
Is the "OSD LOCKED" message displayed when the MENU button is pressed?	<ul style="list-style-type: none"> • The OSD lock feature is enabled to prevent undesired modification of the OSD settings. Press and hold the MENU button for a couple of seconds to unlock the OSD. (The "OSD UNLOCKED" message will be displayed.)

The screen retains an image.	
Does image sticking occur even when the monitor is turned off?	<ul style="list-style-type: none"> • Displaying a still image for a prolonged time may cause damage to the screen, resulting in the retention of the image. • Use a screen saver to protect the screen when using the monitor for a prolonged period of time.

NOTE

- **Vertical Frequency:** In order to display an image, the screen must be refreshed dozens of times per second like a fluorescent lamp. The number of times the screen is refreshed per second is called vertical frequency or refresh rate and is represented by Hz.
- **Horizontal Frequency:** The time it takes to display one horizontal line is called the horizontal cycle. The number of horizontal lines displayed in one second can be calculated by dividing one by the horizontal cycle. This is called horizontal frequency and is represented by kHz.

The image is displayed abnormally.	
Does the display area appear un-centered?	Pressing the AUTO button will automatically optimize the screen to the current display mode. If you are not satisfied with the optimized screen, you can manually adjust the POSITION option in the OSD menu.
Does the screen exhibit vertical lines?	Pressing the AUTO button will automatically optimize the screen to the current display mode. If you are not satisfied with the optimized screen, you can manually adjust the FREQUENCY option in the OSD menu.
Does the screen display horizontal frequencies, or does the text appear blurred?	Pressing the AUTO button will automatically optimize the screen to the current display mode. If you are not satisfied with the optimized screen, you can manually adjust the PHASE option in the OSD menu.

 **NOTE**

- Check if the video card's resolution or frequency is within the range allowed by the monitor and set to the recommended (optimal) resolution in **Control Panel > Display > Settings**.
- Failing to set the video card to the recommended (optimal) resolution may result in blurred text, a dimmed screen, a truncated display area or misalignment of the display.
- The configuration procedure may differ depending on your computer and/or operating system. Also, some video cards may not support certain resolutions. If this is the case, contact the computer or video card manufacturer for assistance.
- The AUTO option is only available for D-SUB (analog) signals.

The display color is abnormal.	
Does the display color appear dis-colored (16 color)?	<ul style="list-style-type: none"> • Set the color to 24 bit (true color) or higher. In Windows, go to Control Panel > Display > Settings > Color Quality.
Does the display color appear unstable or in monochrome?	<ul style="list-style-type: none"> • Check if the signal cable is connected properly. Re-connect the cable or re-insert the PC's video card.
Are there spots on the screen?	<ul style="list-style-type: none"> • When using the monitor, pixilated spots (red, green, blue, white or black) may appear on the screen. This is normal for the LCD screen. It is not an error nor is it related to the monitor's performance.

PRODUCT SPECIFICATION

N1910LZ

LCD Screen	Type	481 mm (19 inch) TFT (Thin Film Transistor) LCD (Liquid Crystal Display) Screen Diagonal length of the screen: 481 mm
	Pixel Pitch	0.2835 x 0.2835 mm
Resolution	Maximum Resolution	1280 x 1024 @ 60 Hz
	Recommended Resolution	1280 x 1024 @ 60 Hz
Video Signal	Horizontal Frequency	30 kHz - 66 kHz
	Vertical Frequency	57 Hz - 63 Hz
	Synchronization	Separate Sync/PCoIP
Input Connector	15-pin D-SUB (Analog)	
Power	Rated Voltage	AC 100-240V 50/60Hz 1.2A
	Power Consumption	On Mode: 43 W (Typical) Power Saving Mode ≤ 15 W Off Mode ≤ 1 W
Dimension/ Weight	Monitor Size (Width x Height x Depth)	
	With Stand	408.9 mm x 480.8 mm x 139 mm
	Without Stand	408.9 mm x 338.1 mm x 56.9 mm
Weight (Without Packaging)	3.5 kg	
Stand Angle Adjustment	Forwards/Backwards: -5° to 15° (Monitor)	
Environment Condition	Operating Condition	Temperature: 10°C to 35°C; Humidity: 10% to 80%
	Storing Condition	Temperature: -20°C to 60°C; Humidity: 5% to 90%

The specifications are subject to change without notice.

Preset Mode

Preset Mode	Horizontal Frequency (kHz)	Vertical Frequency (Hz)	Polarity (H/V)	Remark
720 x 400	31.468	70	-/+	
640 x 480	31.469	60	-/-	
800 x 600	37.879	60	+/+	
1024 x 768	48.363	60	-/-	
1280 x 1024	63.981	60	+/+	Recommended Mode

Power Indicator

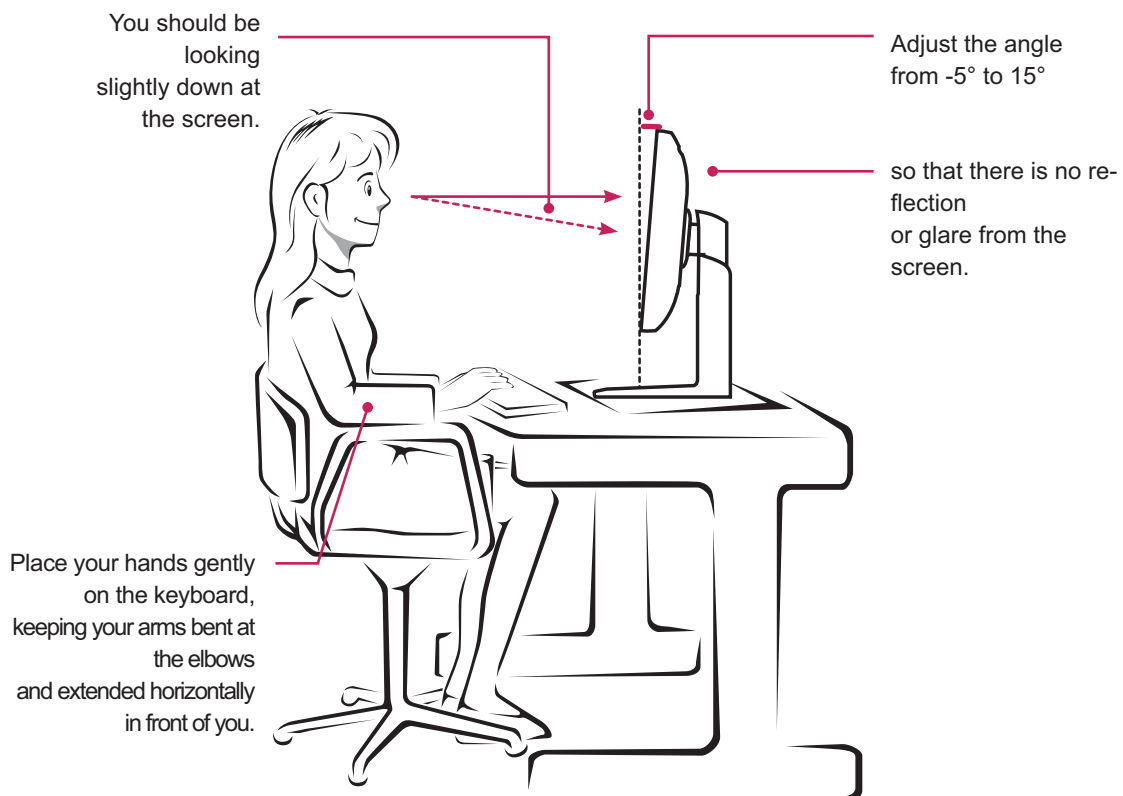
Mode	LED Color
On Mode	White
Power Saving	Flashing White
Off Mode	Off

PROPER POSTURE

Proper posture for using the monitor

Adjust the angle so that the screen is slightly lower than your eyes.

- Using the monitor for a prolonged period of time can cause eye fatigue. Take a 10-minute break every hour.
- The stand is designed to best support the monitor when the optimal conditions are selected. Adjust the angle of the monitor from -5° to 15° to obtain the best view of the screen.



USING PCOIP SOLUTION

Connect Screen

The Connect screen is shown during start-up, except when the portal has been configured for a managed start-up or auto-reconnect. The logo displayed above the Connect button can be changed by uploading a replacement image via the admin interface. The network icon on the bottom right of the Connect screen shows the status of the network connection. You must wait until the network icon is displayed as shown in Figure 2-3.

Selecting one of the options will produce a settings window.



Figure 2-1. OSD Connect Screen

A red "X" over the network icon indicates that either the network is not properly connected or that the connection is still being initialized (i.e. during portal boot up). Figure 2-2 shows the red "X" over the network icon indicating that the network is not ready.



Figure 2-2. Network Not Ready (Detail)

Figure 2-3 shows the network icon when ready.

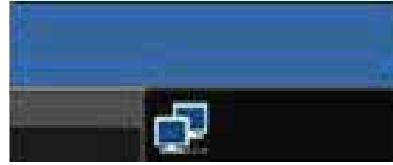


Figure 2-3. Network Ready (Detail)

Selecting the Connect button initiates a PColP or RDP session depending on the session settings. While the PColP connection is pending, the OSD local GUI will display a "Connection Pending" message. When the connection is established, the OSD local GUI will disappear and be replaced by the session image.



Figure 2-4. OSD Connect Screen (Connecting)

OSD Options Menu

Selecting the Options menu will produce a list of selections. The OSD Options menu contains:

- **Configuration**
- **Diagnostics**
- **Information**
- **User Settings**

Selecting one of the options will produce a settings window.



Figure 2-5. OSD Options Menu

Configuration Window

In the Configuration window, the administrator can access the window tabs that contain the settings to configure and manage the portal environment. The Configuration window has the following tabs:

- **Network**
- **Label**
- **Connection Management**
- **Discovery**
- **Session**
- **RDP**
- **Language**
- **OSD**
- **Reset**
- **Display**
- **VMware View**

Each tab contains OK, Cancel and Apply buttons to allow the administrator to apply or cancel the modified settings.

! NOTE

- Some PCoIP devices have their password protection disabled and can be logged into the management web page or access the OSD parameters without a password. The login page and the OSD's password protection can be enabled in the PCoIP management console.

Network Tab

The Network tab allows the administrator to configure the portal network parameters.

! NOTE

- The network parameters can also be configured using the Webpage Administration Interface.

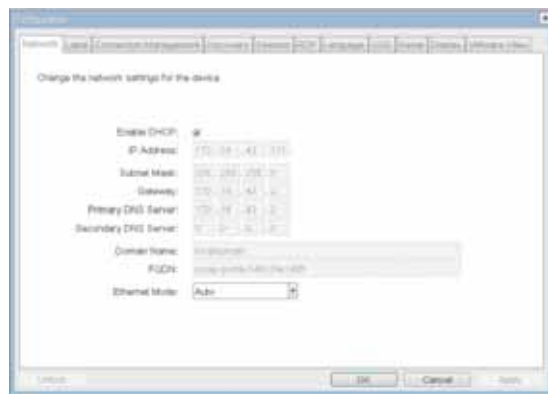


Figure 2-6. Network Configuration

• Enable DHCP

If the Enable DHCP option is selected, a device will be connected to the DHCP server, that allocates the IP address, subnet mask, gateway IP address, and DNS server. If this option is disabled, the above parameters must be configured manually.

• IP Address

The IP Address field contains the IP address of the device. If DHCP is disabled, this field is required. If DHCP is enabled, this field cannot be edited. This field must contain the correct IP address. If an incorrect IP address is provided, an OSD message is displayed prompting the administrator to provide the correct the IP address.

• Subnet Mask

The Subnet Mask field contains the subnet mask of the device. If DHCP is disabled, this field is required. If DHCP is enabled, this field cannot be edited. This field must have the correct subnet mask. If an incorrect subnet mask is provided, an OSD message is displayed prompting the administrator to provide the correct the subnet mask.

- **Gateway**

The Gateway field contains the gateway IP address of the device. If DHCP is disabled, this field is required. If DHCP is enabled, this field cannot be edited.

- **Primary DNS Server**

The Primary DNS Server field contains the primary DNS IP address of the device. This field is optional. If DHCP is enabled, this field cannot be edited.

- **Secondary DNS Server**

The Secondary DNS Server field contains the secondary DNS IP address of the device. This field is optional. If the DHCP is enabled, this field cannot be edited.

- **Domain Name**

The Domain Name field contains the domain name used, e.g. "domain local". This field is optional. It specifies on which domain the host or portal operates.

- **FQDN**

The FQDN field represents the Fully Qualified Domain Name of the host or portal. The default value is PCoIP-host-MAC or PCoIP-portal-MAC, where MAC is the MAC address of the host or portal. If there is a domain name, it will be added to the FQDN in the format of PCoIP-host-MAC.domain.local

NOTE

- In order to utilize the FQDN feature, a DNS server, configured properly with DHCP option 81, must be used.

- **Ethernet Mode**

The Ethernet Mode field specifies the portal's Ethernet mode.

The available options are as follows.

- Auto
- 100 Mbps Full-Duplex
- 10 Mbps Full-Duplex

If another network device is configured to operate under 10 Mbps Full-Duplex or 100Mbps Full-Duplex, the administrator should always set the Ethernet Mode field to Auto and only use 10 Mbps Full-Duplex or 100 Mbps Full-Duplex.

Label Tab

The Label tab allows the administrator or host to add customized information to the portal.

NOTE

- The portal label parameters can also be configured using the Webpage Administration Interface.

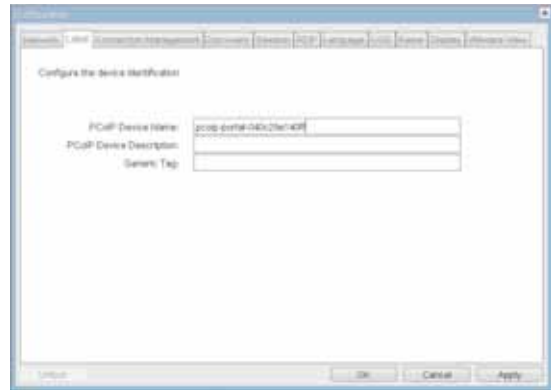


Figure 2-7. Label Configuration

- **PCoIP Device Name**

In the PCoIP Device Name field, the administrator can specify a logical name to the host or portal. The default value is PCoIP-host-MAC or PCoIP-portal-MAC, where MAC is the MAC address of the host or portal.

- **PCoIP Device Description**

In the PCoIP Device Description field, the administrator can add specific information, such as the endpoint location, or add a description to the host or portal. This field cannot be used in the PCoIP firmware and accessibility is strictly limited to the administrator.

- **Generic Tag**

In the Generic Tag field, the administrator can add a generic tag to the host or portal. This field cannot be used in the PCoIP firmware and accessibility is strictly limited to the administrator.

Connection Management Tab

The Connection Management tab allows the user to enable or disable the connection management and specify the connection manager's IP address.

In a managed connection, an external Connection Management Server can communicate with a device to remotely control and configure the device. The connection manager can also search for an appropriate peer to connect to the device. Connection Management significantly reduces the tasks of the administrator in a large and complicated system.



NOTE

- The Connection Management parameters can also be configured using the Webpage Administration Interface.

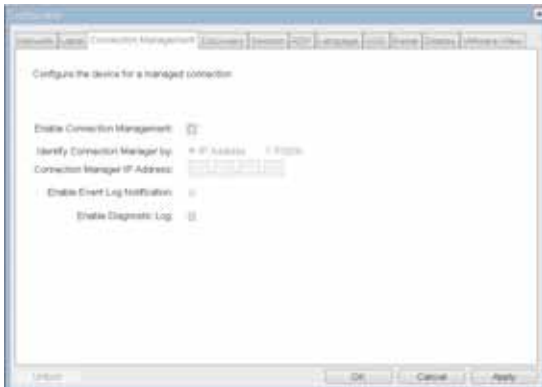


Figure 2-8. Connection Management Configuration

• Enable Connection Management

If the Enable Connection Management option is enabled, the device can be controlled and configured from an external connection manager.

• Identify Connection Manager By

The Identify Connection Manager By selector allows the administrator to decide whether to identify the connection manager by IP Address or by FQDN. If Connection Management is disabled, this field is not required and can therefore not be edited.

Table 2-1 shows the configuration parameters that can be used with one of the two methods. If an incorrect IP address or DNS name is provided, an OSD message is displayed prompting the administrator to correct the error.

방법	데이터 필드S
<IP address>	연결 관리자 IP 주소
<FQDN>	연결 관리자 DNS 이름

Table 2-1 Connection Manager Method

• Enable Event Log Notification

The Enable Event Log Notification field controls whether the PCoIP host and the portal devices will send their event log to the connection management server.

• Enable Diagnostic Log

The Enable Diagnostic Log field specifies whether to log the connection management specific debug message to the PCoIP host and to the portal devices' event logs.

Discovery Tab

The Discovery tab allows the administrator to easily find a portal in the PCoIP system.

NOTE

- The Discovery parameters can also be configured using the Webpage Administration Interface.

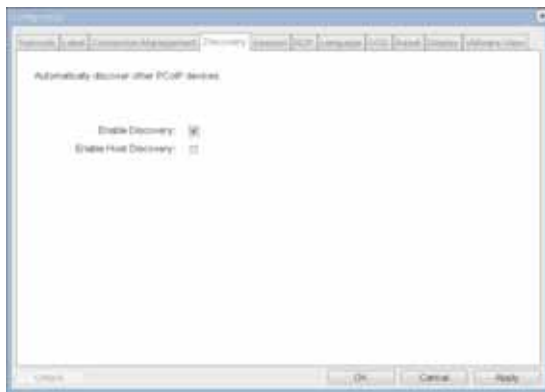


Figure 2-9. Discovery Configuration

• Enable Discovery

If the Enable Discovery option is selected, a device will use SLP Discovery to dynamically locate the peer device without requiring any information about the location of the device in the network. This means that the configuration and maintenance work in a complicated system can be significantly reduced.

As SLP Discovery requires a multicast-enabled router, the recommended search structure is DNS-SRV Discovery.

• Enable Host Discovery

The Enable Host Discovery option allows the user to find the host not listed in the PCoIP session from the portal. When this option is enabled, up to 10 available hosts can be listed, in the order of their detection from the portal. Use the Enable Host Discovery option when there are a relatively small number of hosts.

Session Tab

The Session tab allows the administrator to set the method to connect the device to a peer device.

NOTE

- The Session parameters can also be configured using the Webpage Administration Interface.

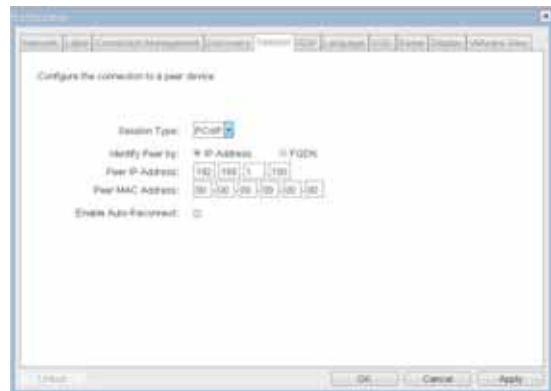


Figure 2-10. Session Configuration

• Session Type

In Session Type, the administrator can configure a portal for the PCoIP session or the RDP session.

• Identify Peer By

The Identify Peer By selector allows the administrator to decide whether to identify the peer device by IP, by MAC address or by FQDN.

Table 2-2 shows the peer ID parameters that can be used with one of the two methods. If an incorrect IP address or DNS name is provided, an OSD message is displayed prompting the administrator to correct the error.

피어 ID 방법	데이터 필드	설명
Peer IP/MAC	Peer IP Address	PCoIP 또는 포털 RDP 클라이언트
	Peer MAC Address	PCoIP
Peer FQDN	Peer FQDN	PCoIP 또는 포털 RDP 클라이언트

Table 2-2. Peer ID Method

• Enable Auto-Reconnect

The Enable Auto-Reconnect option allows the portal to automatically reconnect to the last connected host when the session is closed.

RDP Tab

The RDP tab allows the administrator to configure the remote desktop protocol (RDP) specific settings.

NOTE

- The RDP Label parameters can also be configured using the Webpage Administration Interface.

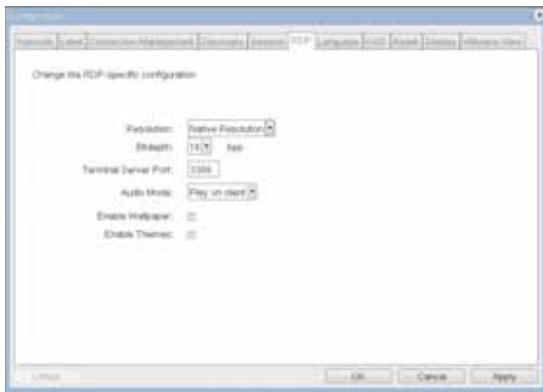


Figure 2-11. RDP Configuration

• Resolution

The Resolution field is used to set the RDP screen resolution. The available values are as follows.

- Native Resolution
- 800x600
- 1024x768
- 1280x768
- 1280x1024
- 1440x900
- 1600x1200
- 1680x1050
- 1920x1080
- 1920x1200

• Bit Depth

The Bit Depth field is used to set the color bit depth for the RDP session. The available values are as follows.

- 8 bpp (bits per pixel)
- 16 bpp
- 24 bpp

• Terminal Server Port

The Terminal Server Port field is used to set the port number to connect the RDP client.

• Audio Mode

The Audio Mode field is used to set the audio playback location of the RDP session. The available options are as follows.

- None
- Play on client
- Play on host

• Enable Wallpaper

The Enable Wallpaper field is used to allow the user to use the wallpaper in the RDP session.

• Enable Themes

The Enable Themes field is used to enable the user to use the wallpaper theme in the RDP session.

Language Tab

The Language tab allows the administrator to set the OSD language.

NOTE

- The Language parameters can also be configured using the Webpage Administration Interface.

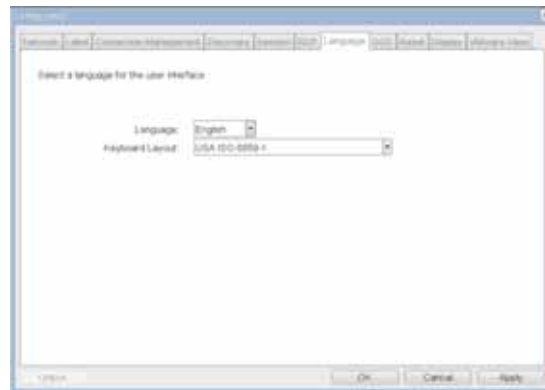


Figure 2-12. Language Configuration

• Language

The Language field is used to set the display language of the OSD and the user level event log messages.

• Keyboard Layout

The Keyboard Layout field allows the administrator to modify the keyboard layout.

OSD Tab

The OSD tab allows the administrator to modify the On Screen Display (OSD) parameters.

NOTE

- The OSD parameters can also be configured using the Webpage Administration Interface.

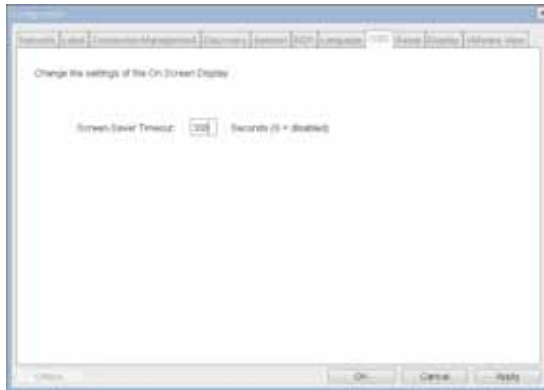


Figure 2-13. OSD Configuration

• Screen-Saver Timeout

The Screen-Saver Timeout field allows the administrator to set a time limit for the screen saver. The time limit is defined in seconds. The maximum time is 9999 seconds. If it is set to 0 seconds, the screen saver will be turned off.

Reset Tab

The Reset tab allows the administrator to reset all configurable parameters stored in Flash.

NOTE

- The Reset function can also be accessed through the Webpage Administration Interface.

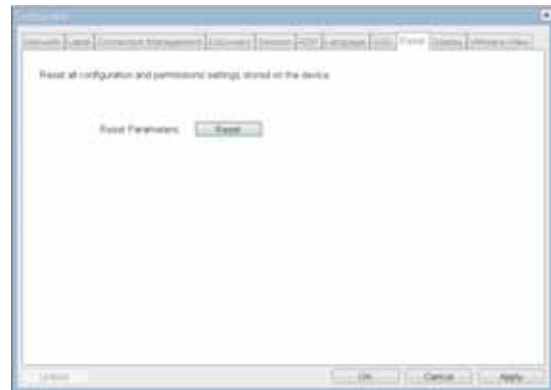


Figure 2-14 Reset

• Reset Parameters

Pressing the Reset Parameters button will reset all settings and options to the factory default settings. When this button is pressed, an OSD message is displayed. This is to prompt the administrator and prevent accidental reset.

Display Tab

The Display tab allows the user to configure the EDID function of the monitor.

NOTE

- The Enable display override function can be used when the EDID function of the monitor is not running.

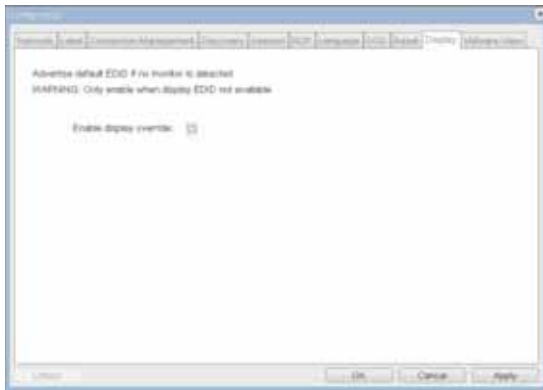


Figure 2-15. Display Configuration

VMware View Tab

The VMware View tab allows the user to select the device to use the VMware View Connection Server.

NOTE

- The VMware View parameters can also be configured using the Webpage Administration Interface.

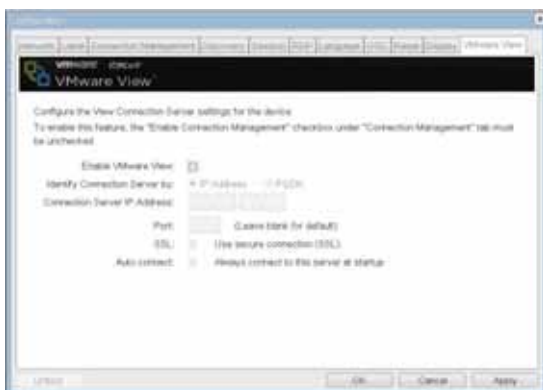


Figure 2-16. VMware View Configuration

• Enable VMware View

The Enable VMware View option allows the user to configure the portal to use the VMware View Connection Server.

NOTE

- To enable the VMware View function, the Enable Connection Management check box in the Enable Connection Management Tab must be deselected.

• Identify Connection Server by

The Identify Connection Server by selector allows the administrator to decide whether to identify the connection manager by IP address or by FQDN. If VMware View is disabled, this field is not required cannot be edited.

• Port

The Port parameter allows the administrator to specify the port to communicate with the VMware View Connection Server.

• SSL

The SSL parameter allows the administrator to specify the SSL to communicate with the VMware View Connection Server.

• Auto Connect

The Auto Connect parameter allows the administrator to ensure that the device always automatically connects to the VMware View Connection Server when starting the portal.

Diagnostics Window

In the Diagnostics window, the administrator can access the window tab to diagnose the portal. The Diagnostics window has the following tabs:

- Event Log
- Session Statistics
- PCoIP Processor
- Ping

Each tab has the Close button to close the window.

Event Log Tab

The Event Log tab allows the administrator to view and delete the event log messages from the portal.

NOTE

- The event log (regardless of the quantity) can also be reset using the Webpage Administration Interface.

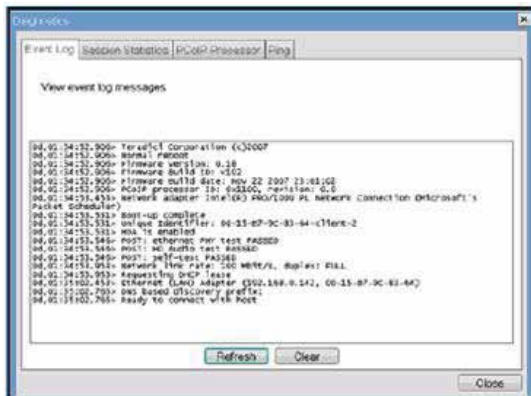


Figure 2-17. Event Log Configuration

View Event Log Message

The View Event Log Message field displays the log messages accompanied by the timestamp information. The following two buttons are available:

- **Refresh**
The Refresh button refreshes the displayed event log messages.
- **Clear**
The Clear button clears all event log messages.

Session Statistics Tab

The Session Statistics tab allows the administrator to view the PCoIP specific statistics of the last active PCoIP session from the portal.

The session statistics (regardless of the quantity) can also be viewed using the Webpage Administration Interface.

NOTE

- The event log (regardless of the quantity) can also be reset using the Webpage Administration Interface.

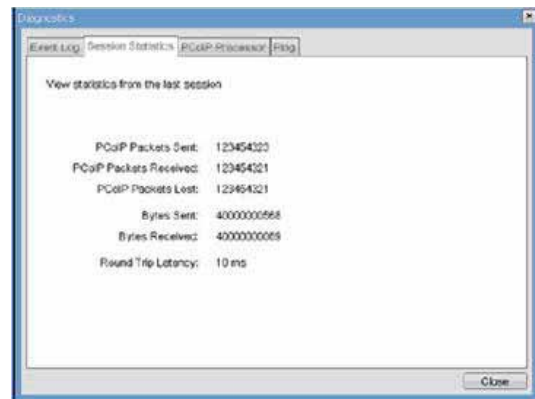


Figure 2-18. Session Statistics Configuration

PCoIP Packets Statistics

- **PCoIP Packets Sent**
The PCoIP Packets Sent field shows the total number of PCoIP packets sent from the portal to the host in the last active session.
- **PCoIP Packets Received**
The PCoIP Packets Received field shows the total number of PCoIP packets received from the host to the portal in the last active session.
- **PCoIP Packets Lost**
The PCoIP Packets Lost field shows the total number of PCoIP packets lost in the last active session.

- **Bytes Statistics**

- **Bytes Sent**
The Bytes Sent field shows the total number of bytes sent in the last active session.
- **Bytes Received**
The Bytes Received field shows the total number of bytes received in the last active session.

- **Round Trip Latency**

The Round Trip Latency field shows the total round-trip PCoIP system (e.g. from the portal to the host, then back to the portal) and the network latency in milliseconds (+/- 1 ms).

PCoIP Processor Tab

The PCoIP Processor tab allows the administrator to view the portal PCoIP processor's uptime since its last booting.

NOTE

- The PCoIP Processor Uptime can also be viewed using the Webpage Administration Interface.

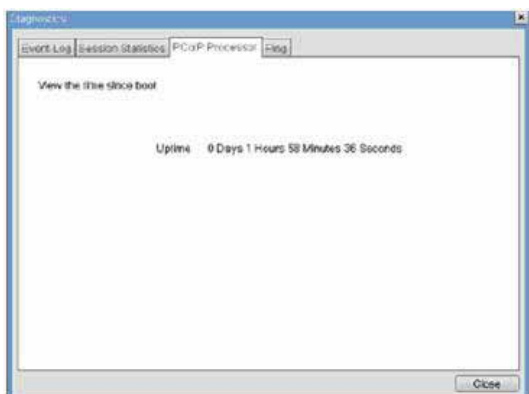


Figure 2-19. PCoIP Processor Configuration

Ping Tab

The Ping tab allows the administrator to perform a ping test to the device and check if it can reach the overall IP network. This is useful to check whether the device can reach the host.

NOTE

- The Ping tab has no corresponding menu in to the Webpage Administration Interface of Section 1.

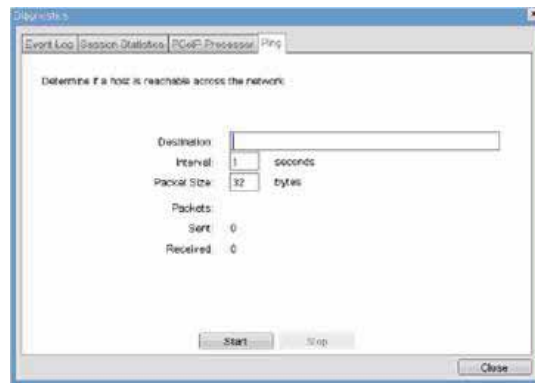


Figure 2-20. Ping Configuration

- **Ping Settings**

- **Destination**
The IP address or FQDN to perform the ping test.
- **Interval**
The interval between the ping packets.
- **Packet Size**
The size of the ping packet.
- **Packets**
 - **Sent**
The number of ping packets sent.
 - **Received**
The number of ping packets received.

Information Window

In the Information window, the administrator can access the Version tab that contains the device related information.

NOTE

- The version information can also be viewed using the Webpage Administration Interface.

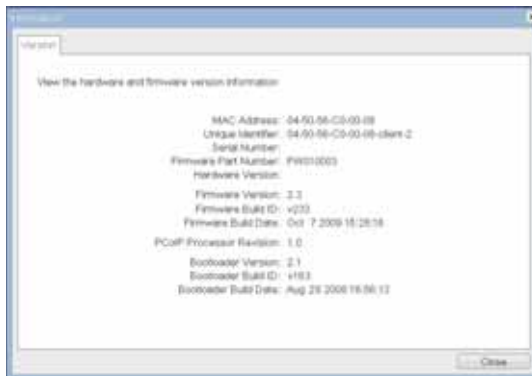


Figure 2-21. Version Configuration

• VPD Information

The Vital Product Data (VPD) is information that uniquely identifies each portal or host.

- MAC Address
The portal MAC address
- Unique Identifier
The portal ID
- Serial Number
The portal serial number
- Firmware Part Number
The part number of the PCoIP firmware
- Hardware Version
The portal hardware version

• Firmware Information

The Firmware Information shows the details of the current PCoIP firmware.

- Firmware Version
The current PCoIP firmware version
- Firmware Build ID
The current PCoIP firmware revision code
- Firmware Build Date
The current PCoIP firmware build date

PCoIP Processor Revision

This shows the PCoIP processor's revision code. TERA1x00 Revision A silicone is denoted by 0.0 and TERA1x00 Revision B silicone is denoted by 1.0.

• Boot Loader Information

The Boot Loader Information shows the details of the current PCoIP boot loader.

- Boot Loader Version
The current PCoIP boot loader version
- Boot Loader Build ID
The current PCoIP boot loader revision code
- Boot Loader Build Date
The current PCoIP boot loader build date

User Settings Window

In the User Settings window, the administrator can access the tab to select the mouse and keyboard and define the PCoIP image quality.

The User Settings window has the following tabs:

• Boot Loader Information

The Boot Loader Information shows the details of the current PCoIP boot loader.

- Mouse
- Keyboard
- Image
- Display Topology

Mouse Tab

The Mouse tab allows the user to modify the OSD and RDP session's mouse cursor speed setting.

NOTE

- The OSD mouse cursor speed setting does not affect the mouse cursor settings when a PCoIP session is active unless the Local Keyboard Host Driver function is being used (see PCoIP Host Software User Guide for more information).
- The Mouse tab has no corresponding menu in the Webpage Administration Interface of Section 1.

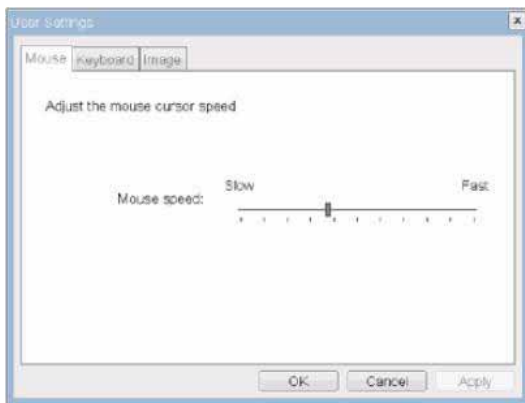


Figure 2-22. Mouse

• Mouse Speed

The Mouse Speed field allows the user to set the portal's mouse cursor speed.

NOTE

- The Mouse Speed can also be configured via the PCoIP Host Software. For more information on using the PCoIP Host Software, refer to the PCoIP Host Software User Guide.

Keyboard Tab

The Keyboard tab allows the user to modify the OSD and RDP session's keyboard repeat setting.

NOTE

- The OSD keyboard setting does not affect the keyboard settings when a PCoIP session is active unless the Local Keyboard Host Driver function is being used (see PCoIP Host Software User Guide for more information).
- The Keyboard tab has no corresponding menu in the Webpage Administration Interface of Section 1.

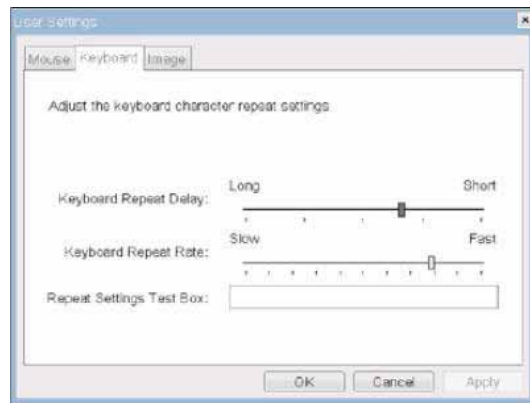


Figure 2-23. Keyboard

• Keyboard Repeat Delay

The Keyboard Repeat Delay field allows the user to set the portal's keyboard repeat delay.

• Keyboard Repeat Rate

The Keyboard Repeat Rate field allows the user to set the portal's keyboard repeat rate.

• Repeat Settings Test Box

The Repeat Settings Test Box allows the user to test the selected keyboard settings.

Image

The Image tab allows a user to change the image settings on the PCoIP system.

NOTE

- The Image parameters can also be configured using the Webpage Administration Interface.

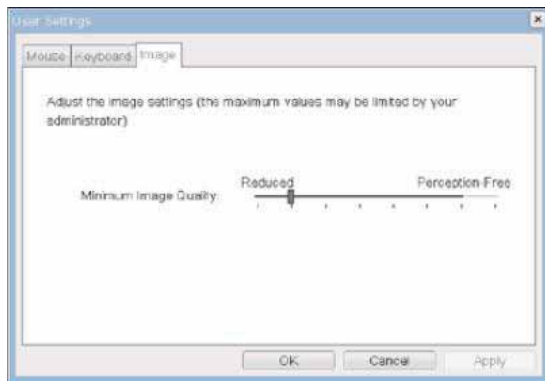


Figure 2-24. Image

• Minimum Image Quality

The Minimum Image Quality slider allows the administrator to make compromises between image quality and frame rate when network bandwidth is limited. Sometimes, lower-quality images at a higher frame rate may be required, while at other times, higher-quality images at a lower frame rate may be preferred.

In environments where the network bandwidth is limited, moving the slider towards Reduced ensures higher frame rates; moving the slider towards Perception-Free ensures higher image quality. When network bandwidth is not limited, the PCoIP system will maintain perception-free quality regardless of the Minimum Image Quality setting.



■■■ Regulatory Information cont.

:: FCC Compliance Statement

This equipment has been tested and found to comply within the limits of a Class B digital device pursuant to Part 15 of the FCC Rules. These limits are designed to provide reasonable protection against harmful interference in a residential installation.

This equipment generates, uses, and can radiate radio frequency energy and if not installed and used in accordance with the instructions, may cause harmful interference to radio communications. However, there is no guarantee that interference will not occur in a particular installation.

If this equipment does cause harmful interference to radio or television reception (which can be determined by turning the equipment on and off), the user is encouraged to try to correct the interference by using one or more of the following measures:

- Reorient or relocate the receiving antenna.
- Increase the separation between the equipment and the receiver.
- Connect the equipment into an outlet on a circuit different from that to which the receiver is connected.
- Consult the dealer or an experienced radio/TV technician for help.

Caution: Changes or modifications not expressly approved by the party responsible for compliance could void the user's (or your) authority to operate the equipment. Only peripherals (digital input/output devices, terminals, printers, etc.) certified to comply with the Class B limits may be attached to this monitor. Operation with non-certified peripherals is likely to result in interference to radio and TV reception. Only shielded signal cables may be used with this System.

NOTICE

The regulations are applied only to the products with the ID LABEL indicating specific requirements.

:: Canadian DOC Notice

This Class B digital apparatus meets all requirements of the Canadian Interference-Causing Equipment Regulations. Cet appareil numérique de la classe B

respecte toutes les exigences du Règlement sur le matériel brouilleur du Canada.

NOTICE

The regulations are applied only to the products with the ID LABEL indicating specific requirements.

:: CE Conformity Notice (for Europe)

Products with the "CE" Marking comply with the EMC Directive(89/336/EEC) and LOW VOLTAGE Directive (73/23/EEC) issued by the Commission of the European Community.

Compliance with these directives implies conformity to the following European Norms :

- EN 55022 ; Radio Frequency Interference
- EN 55024 ; Electromagnetic Immunity
- EN 61000-3-2 ; Power Line Harmonics
- EN 61000-3-3 ; Voltage Fluctuations
- EN 60950-1 ; Product Safety

NOTICE

The regulations are applied only to the products with the ID LABEL indicating specific requirements.

:: Low Radiation Compliance (MPR II)

This monitor meets one of the strictest guidelines available today for low radiation emissions, offering the user extra shielding and an antistatic screen coating. These guidelines, set forth by a government agency in Sweden, limit the amount of emission allowed in the Extremely Low Frequency (ELF) and Very Low Frequency (VLF) electromagnetic range.

:: TCO'99 (TCO'99 applied model only)



Congratulations!

You have just purchased a TCO'99 approved and labelled product! Your choice has provided you with a product developed for professional use. Your purchase has also contributed to reducing the burden on the environment and also to the further development of environmentally adapted electronics products.

■■■ Regulatory Information cont.

Why do we have environmentally labelled computers?

In many countries, environmental labelling has become an established method for encouraging the adaptation of goods and services to the environment. With the growing manufacture and usage of electronic equipment throughout the world, there is a recognized concern for the materials and substances used by electronic products with regards to their eventual recycling and disposal. By proper selection of these materials and substances, the impact on the environment can be minimized.

There are also other characteristics of a computer, such as energy consumption levels, that are important from the viewpoints of both the work (internal) and natural (external) environments. Electronic equipment in offices is often left running continuously, resulting in unnecessary consumption of large amounts of energy and additional power generation. From the standpoint of carbon dioxide emissions alone, it is vital to save energy.

What does labelling involve?

The product meets the requirements for the TCO'99 scheme which provides for international and environmental labelling of personal computers and/or displays.

The labelling scheme was developed as a joint effort by the TCO (The Swedish Confederation of Professional Employees), Svenska Naturskyddsforeningen (The Swedish Society for Nature Conservation) and Statens Energimyndighet (The Swedish National Energy Administration).

Approval requirements cover a wide range of issues: ecology, ergonomics, emission of electrical and magnetical fields, energy consumption and electrical safety.

Ecological criteria impose restrictions on the presence and use of heavy metals, brominated and chlorinated flame retardants, and other substances. The product must be prepared for recycling and the manufacturing site(s) shall be certified according to ISO14001 or EMAS registered.

Energy requirements include a demand that the system unit and/or display, after a certain period of inactivity, shall reduce its power consumption to a lower level in one or more stages. The length of time to reactivate the system unit shall be reasonable for the user.

Labelled products must meet strict environmental demands, for example, in respect of the reduction of electrical and magnetical fields as well as work load and

visual ergonomics.

Below you will find a brief summary of the ecological requirements met by this product. The complete ecological criteria document can be found at TCO Development's website <http://www.tcodevelopment.com> or may be ordered from:

TCO Development

SE-114 94 STOCKHOLM, Sweden

Fax: +46 8 782 92 07

Email : development@tco.se

Information regarding TCO'99 approved and labelled products may also be obtained at <http://www.tcodevelopment.com>

Ecological requirements

Flame retardants

Flame retardants may be present in printed wiring board laminates, cables, and housings. Their purpose is to prevent, or at least to delay the spread of fire. Up to 30% by weight of the plastic in a computer casing can consist of flame retardant substances. Many flame retardants contain bromine or chlorine, and these flame retardants are chemically related to PCBs (polychlorinated biphenyls). Both the flame retardants containing bromine or chlorine and the PCBs are suspected of giving rise to health effects, including reproductive damage in fish-eating birds and mammals, due to the bio-accumulative* processes when not disposed of in accordance with strict standards for disposal.

TCO'99 requires that plastic components weighing more than 25 grams shall not contain flame retardants with organically bound bromine or chlorine. Flame retardants are allowed in the printed wiring board laminates due to the lack of commercially available alternatives.

Cadmium**

Cadmium is present in rechargeable batteries and in the colour-generating layers of certain computer displays. TCO'99 requires that batteries, the colour-generating layers of display screens, and the electrical or electronics components shall not contain any cadmium.

Mercury**

Mercury is sometimes found in batteries, relays and switches. TCO'99 requires that batteries shall not contain any mercury. It also demands that mercury is not present in any of the electrical or electronics components associated with the labelled unit. There is however one

■■■ Regulatory Information cont.

exception. Mercury is, for the time being, permitted in the back light system of flat panel monitors as there today is no commercially available alternative. TCO aims on removing this exception when a mercury free alternative is available.

Lead**

Lead can be found in picture tubes, display screens, solders and capacitors. TCO'99 permits the use of lead due to the lack of commercially available alternatives, but in future requirements TCO Development aims at restricting the use of lead.

* Bio-accumulative is defined as substances which accumulate in living organisms.

**Lead, Cadmium and Mercury are heavy metals which are bio-accumulative.

:: **TCO'03** (TCO'03 applied model only)



Congratulations!

The display you have just purchased carries the TCO'03 Displays label.

This means that your display is designed, manufactured and tested according to some of the strictest quality and environmental requirements in the world. This makes for a high performance product, designed with the user in focus that also minimizes the impact on our natural environment. Some of the features of the TCO'03 Display requirements:

Ergonomics

- Good visual ergonomics and image quality in order to improve the working environment for the user and to reduce sight and strain problems. Important parameters are luminance, contrast, resolution, reflectance, colour rendition and image stability.

Energy

- Energy-saving mode after a certain time – beneficial both for the user and the environment
- Electrical safety

Emissions

- Electromagnetic fields

- Noise emissions

Ecology

- The product must be prepared for recycling and the manufacturer must have a certified environmental management system such as EMAS or ISO 14 001
- Restrictions on
 - chlorinated and brominated flame retardants and polymers
 - heavy metals such as cadmium, mercury and lead.

The requirements included in this label have been developed by TCO Development in co-operation with scientists, experts, users as well as manufacturers all over the world. Since the end of the 1980s TCO has been involved in influencing the development of IT equipment in a more user-friendly direction. Our labelling system started with displays in 1992 and is now requested by users and IT-manufacturers all over the world.

For more information, please visit
www.tcodevelopment.com

English

Information for Environmental Preservation

LGE. announced the 'LG Declaration for a Cleaner Environment' in 1994, and this ideal has served as a guiding managerial principle ever since. The Declaration is a foundation that has allowed us to undertake environmentally friendly activities in careful consideration of economic, environmental, and social aspects.

We promote activities for environmental preservation, and we specifically develop our products to embrace the concept of environment-friendly.

We minimize the hazardous materials contained in our products. For example, there is no cadmium to be found in our monitors.

Information for recycling

This monitor may contain parts which could be hazardous to the environment. It is important that this monitor be recycled after use.

LGE. handles all waste monitors through an environmentally acceptable recycling method. There are several take-back and recycling systems currently in

■■■ Regulatory Information cont.

operation worldwide. Many parts will be reused and recycled, while harmful substances and heavy metals are treated by an environmentally friendly method.

If you want to find out more information about our recycling program, please contact your local LG vendor or a corporate representative of LG.

We set our vision and policies on a cleaner world by selecting the issue of the global environment as a task for corporate improvement. Please visit our website for more information about our 'green' policies.

<http://www.lge.com/about/environment/html/Recycling.jsp>

■ ■ ■ Deutsch

Informationen zur Erhaltung der Umwelt

Im Jahr 1994 verkündete LGE die 'LG Declaration for a Cleaner Environment' (LG Erklärung für eine sauberere Umwelt). Seitdem dient dieses Ideal als führendes Prinzip des Unternehmens. Diese Erklärung war die Basis für die Durchführung von

umweltfreundlichen Aktivitäten, wobei wirtschaftliche, umweltbezogene und soziale Aspekte in die Überlegungen mit einbezogen wurden.

Wir fördern Aktivitäten zum Schutz der Umwelt und die Entwicklung unserer Produkte ist darauf ausgerichtet, unserem Konzept bezüglich Umweltfreundlichkeit gerecht zu werden.

Wir sind darauf bedacht, den Anteil der in unseren Produkten enthaltenen schädlichen Materialien zu minimieren. So ist in unseren Monitoren beispielsweise kein Kadmium zu finden.

Informationen zum Thema Recycling

Dieser Monitor enthält Teile, die umweltschädlich sein können. Es ist unbedingt erforderlich, dass der Monitor recycelt wird, nachdem er außer Dienst gestellt wurde.

Bei LGE werden alle ausrangierten Monitore in einem unter umweltbezogenen Aspekten geeigneten Verfahren recycelt. Augenblicklich sind weltweit mehrere Rücknahme- und Recyclingsysteme im Einsatz. Viele Teile werden wieder verwendet und recycelt. Schädliche Substanzen und Schwermetalle werden durch umweltverträgliche Verfahren behandelt.

Falls Sie mehr über unser Recyclingprogramm erfahren möchten, wenden Sie sich bitte an Ihren lokalen LG-Händler oder einen Unternehmensvertreter von LG.

Wir richten unsere Firmenpolitik auf eine sauberere Umwelt hin aus, indem wir umweltspezifische Aspekte als wichtigen Punkt in die Weiterentwicklung unseres Unternehmens einfließen lassen. Zusätzliche Informationen über unsere 'grüne' Firmenpolitik erhalten Sie auf unserer Website.

<http://www.lge.com/about/environment/html/Recycling.jsp>

■ ■ ■ Français

Information sur la protection de l'environnement

LGE a publié sa 'Déclaration en faveur d'un environnement plus propre' en 1994 et celle-ci est restée, depuis lors, un principe directeur de notre entreprise. Cette déclaration a servi de base à notre réflexion et nous a permis de prendre en compte à la fois les aspects économiques et sociaux de nos activités, tout en respectant l'environnement.

Nous encourageons les activités en faveur de la préservation de l'environnement et c'est dans cet esprit que nous développons nos produits : nous réduisons au minimum les matières dangereuses qui entrent dans leur composition et l'on ne trouve pas de cadmium, par exemple, dans nos moniteurs.

Information sur le recyclage

Ce moniteur peut contenir des composants qui présentent un risque pour l'environnement. Il est donc important que celui-ci soit recyclé après usage.

LGE traite les moniteurs en fin de cycle conformément à une méthode de recyclage respectueuse de l'environnement. Nous reprenons nos produits et les recyclons dans plusieurs sites répartis dans le monde entier. De nombreux composants sont réutilisés et recyclés, et les matières dangereuses, ainsi que les métaux lourds, sont traités selon un procédé écologique.

Si vous souhaitez plus de renseignements sur notre programme de recyclage, veuillez contacter votre revendeur LG ou un l'un de nos représentants.

Nous voulons agir pour un monde plus propre et croyons au rôle de notre entreprise dans l'amélioration de l'environnement. Pour plus de renseignements sur notre politique "verte", rendez visite à notre site :

<http://www.lge.com/about/environment/html/Recycling.jsp>

■■■ Regulatory Information cont.

■ ■ ■ Italiano

Informazioni per la tutela dell'ambiente

La LGE. ha annunciato nel 1994 la cosiddetta 'LG Declaration for a Cleaner Environment' (Dichiarazione di LG a favore di un ambiente più pulito), un ideale che da allora funge da principio ispiratore della gestione aziendale. La dichiarazione rappresenta il fondamento che consente di intraprendere attività a favore dell'ambiente tenendo conto degli aspetti economici, ambientali e sociali. Noi della LG, promuoviamo attività a favore della tutela dell'ambiente sviluppando appositamente i nostri prodotti per cogliere il concetto del rispetto dell'ambiente riducendo i materiali dannosi presenti nei nostri prodotti. Ad esempio nei nostri monitor non è presente il cadmio.

Informazioni per il riciclaggio

Il monitor può presentare componenti che potrebbero risultare eventualmente dannosi per l'ambiente. È importante che il monitor sia riciclato al termine del suo utilizzo.

La LGE. gestisce tutti i monitor di rifiuto con un metodo di riciclaggio soddisfacente dal punto di vista ambientale. In tutto il mondo sono attualmente in funzione numerosi sistemi di riciclaggio e recupero. I diversi componenti sono riutilizzati e riciclati, mentre le sostanze dannose e i metalli pesanti vengono trattati con un metodo rispettoso dell'ambiente.

Se si desiderano maggiori informazioni in merito al programma di riciclaggio, è consigliabile rivolgersi al proprio rivenditore LG o ad un rappresentante aziendale della LG.

Noi della LG impostiamo la nostra visione e le nostre politiche a favore di un mondo più pulito ponendo la questione dell'ambiente dal punto di vista globale come una mansione rivolta al miglioramento della nostra azienda. Vi invitiamo a visitare il nostro sito internet per ulteriori informazioni sulla nostra politica "verde".
<http://www.lge.com/about/environment/html/Recycling.jsp>

■ ■ ■ Español

Información para la conservación medioambiental

LGE. presentó la 'Declaración para un entorno más limpio de LG' en 1994 y este ideal ha servido para guiar nuestros principios empresariales desde entonces. La Declaración es la base que nos ha permitido llevar a cabo tareas que

respetan el medio ambiente siempre teniendo en cuenta aspectos sociales, económicos y medioambientales.

Promocionamos actividades orientadas a la conservación del medio ambiente y desarrollamos nuestros productos específicamente para que se ajusten a la filosofía que protege el entorno.

Reducimos al máximo el uso de materiales de riesgo en nuestros productos. Un ejemplo de ello es la ausencia total de cadmio en nuestros monitores.

Información para el reciclaje

Este monitor puede contener piezas que entrañen riesgos medioambientales. Es importante reciclar este monitor después de su utilización.

LGE. trata todos los monitores usados siguiendo un método de reciclaje que no daña al entorno. Contamos con diversos sistemas de recuperación y reciclaje que funcionan a nivel mundial en la actualidad. Es posible reciclar y reutilizar muchas de las piezas, mientras que las sustancias dañinas y los metales pesados se tratan siguiendo un método que no perjudique al medio ambiente. Si desea obtener más información acerca del programa de reciclaje, póngase en contacto con su proveedor local de LG o con un representante empresarial de nuestra marca.

Basamos nuestra visión y nuestras políticas en un mundo más limpio y para ellos optamos por un entorno global como tarea principal de nuestra evolución como empresa. Visite nuestra página Web para obtener más información sobre nuestras políticas ecológicas.

<http://www.lge.com/about/environment/html/Recycling.jsp>

■ ■ ■ Português

Informações relacionadas à preservação ambiental

A LGE. anunciou a 'LG Declaration for a Cleaner Environment' (Declaração da LG para um ambiente mais limpo) em 1994 e esse ideal tem servido desde então como um princípio administrativo de orientação. A Declaração é a base que nos tem permitido realizar atividades favoráveis ao ambiente com consideração atenta aos aspectos econômicos, ambientais e sociais.

Promovemos atividades de preservação ambiental e desenvolvemos nossos produtos para englobar

■■■ Regulatory Information cont.

especificamente o conceito de favorável ao ambiente.

Reduzimos os materiais perigosos contidos em nossos produtos. Por exemplo, não há cádmio em nossos monitores.

Informações relacionadas à reciclagem

Este monitor pode conter peças que podem representar riscos ao ambiente. É importante que ele seja reciclado após o uso.

A LGE. cuida de todos os monitores descartados através de um método de reciclagem agradável ao ambiente. Há vários sistemas de devolução e reciclagem atualmente em operação no mundo. Muitas peças serão reutilizadas e recicladas e as substâncias nocivas e os metais pesados passarão por tratamento através de um método favorável ao ambiente.

Para obter mais informações sobre nosso programa de reciclagem, entre em contato com seu fornecedor LG local ou com um representante corporativo da LG.

Definimos nossa visão e nossas políticas relacionadas a um mundo mais limpo selecionando a questão do ambiente global como uma tarefa de aprimoramento corporativo. Visite nosso site para obter mais informações sobre nossas políticas de meio ambiente.

<http://www.lge.com/about/environment/html/Recycling.jsp>

■ ■ ■ Nederlands

Informatie met betrekking tot het behoud van het milieu

LGE. publiceerde in 1994 de 'LG Declaration for a Cleaner Environment' (de LG-verklaring met betrekking tot een schoner milieu). Deze verklaring en het ideaal van een schoner milieu fungeren sindsdien als een bestuurlijke leidraad voor onze onderneming. Op basis van deze verklaring ontplooiën wij milieuvriendelijke activiteiten, waarbij er zowel met sociale en economische aspecten, als met milieuaspecten zorgvuldig rekening wordt gehouden.

Wij ondersteunen activiteiten die zijn gericht op het behoud van het milieu en wij houden bij het ontwikkelen onze producten specifiek rekening met de milieuvriendelijkheid van onze producten.

Wij minimaliseren het gebruik van schadelijke stoffen in onze producten. Er wordt bijvoorbeeld geen cadmium verwerkt in onze monitoren.

Informatie met betrekking tot recycling

Deze monitor bevat materialen die schadelijk zouden kunnen zijn voor het milieu. Het is belangrijk dat deze monitor aan het einde van zijn levensduur wordt gerecycled.

LGE. verwerkt alle afvalmonitoren via een milieuvriendelijke recyclingmethode. Hiervoor worden er momenteel wereldwijd verscheidene inname- en recyclingsystemen gehanteerd. Een groot aantal onderdelen wordt opnieuw gebruikt en gerecycled, waarbij schadelijke stoffen en zware metalen volgens een milieuvriendelijke methode worden verwerkt.

Voor meer informatie over ons recyclingprogramma kunt u contact opnemen met uw plaatselijke LG-vertegenwoordiger of een LG-vestiging.

Onze visie en ons beleid met betrekking tot een schonere wereld vloeien voort uit het feit dat wij het milieu hebben aangemerkt als een onderwerp dat speciale aandacht verdient binnen onze onderneming. Bezoek onze website voor meer informatie over ons 'groene' beleid.

<http://www.lge.com/about/environment/html/Recycling.jsp>

■ ■ ■ Russian

Информация по охране окружающей среды

В 1994 году корпорация LGE опубликовала 'Декларацию LG по охране окружающей среды', которая с тех пор служит основным принципом управления. На основе этой декларации мы смогли предпринять действия, обеспечивающие безопасность окружающей среды, уделяя при этом должное внимание экономическим, экологическим и социальным аспектам.

Мы стимулируем деятельность по охране окружающей среды, уделяя особое внимание разработке нашей продукции в соответствии с концепцией экологической безопасности.

Мы сводим к минимуму содержание опасных веществ в нашей продукции. Например, в наших мониторах вы не найдете кадмия.

Информация по утилизации отходов

Этот монитор может содержать компоненты, которые могут нанести ущерб окружающей среде.

■■■ Regulatory Information cont.

Необходимо утилизировать монитор после использования.

Корпорация LGE перерабатывает все бракованные мониторы с помощью экологически приемлемого метода утилизации отходов. По всему миру действуют системы утилизации отходов и возврата использованной продукции. Многие компоненты будут вторично использованы и утилизированы, в то время как вредные вещества и тяжелые металлы будут обработаны с помощью экологически приемлемого метода.

За более подробной информацией по нашей программе утилизации отходов обращайтесь к местному поставщику или представителю корпорации LG.

Мы ориентируемся на обеспечение экологической безопасности, ставя себе целью глобальную защиту окружающей среды. Дополнительную информацию о нашей политике по охране окружающей среды вы можете найти на нашем сайте:
<http://www.lge.com/about/environment/html/Recycling.jsp>

한국어

환경 보존 정보

LG 전자는 1994년 'LG 환경 선언문'을 발표한 후 현재까지 이를 기업 경영의 이념으로 삼아왔습니다. 이 선언문을 바탕으로 LG 전자는 모든 경영 활동에서 경제성뿐만 아니라 환경성 및 사회성을 주요 의사 결정의 기준으로 삼음으로써 지속적으로 환경 친화적인 경영을 전개하고 있습니다.

본사는 보다 활발한 환경 보존 활동과 더불어 환경 친화적 제품 개발에 주력해 왔습니다.

또한 제품에 포함되는 환경 위해 요소를 최소화하는 데에도 노력을 기울이지 않고 있습니다. LG 전자 모니터의 경우 카드뮴을 전혀 사용하지 않는 것에서도 이러한 노력을 알 수 있습니다.

재활용 정보

본 모니터에는 환경에 위해를 주는 부품이 포함되어 있을 수도 있습니다. 따라서 사용이 끝난 모니터는 재활용하는 것이 좋습니다.

폐모니터는 모두 환경 친화적 방식으로 처리됩니다. 현재 세계적으로 운영되고 있는 회수 및 재활용 시스템에는

여러 가지가 있습니다. 대부분의 부품의 경우 재사용 또는 재활용되지만 환경 위해 물질과 중금속은 환경 친화적 방법으로 처리됩니다.

본사의 재활용 프로그램에 대한 자세한 정보는 각 지역의 LG 공급업체나 LG 기업 대표부에 문의하시기 바랍니다.

LG 전자는 기업 개선 정책의 하나로 지구 환경 문제를 채택함으로써 보다 나은 환경을 만들어 나가기 위한 비전과 정책을 수립했습니다. 본사의 친환경 정책에 대한 자세한 정보를 보시려면 아래의 웹 사이트를 방문하십시오.

http://www.lge.co.kr/ckr/about/environ/purity_02.jsp

∴EPA (EPA applied model only)

ENERGY STAR is a set of power-saving guidelines issued by the U.S. Environmental Protection Agency(EPA).



As an ENERGY STAR Partner LGE U. S. A.,Inc. has determined that this product meets the ENERGY STAR guidelines for energy efficiency.

∴NOM MARK (Mexico only)



■■■ Regulatory Information cont.

:: WEEE (for Europe)



English

Disposal of your old appliance

1. When this crossed-out wheeled bin symbol is attached to a product it means the product is covered by the European Directive 2002/96/EC.
2. All electrical and electronic products should be disposed of separately from the municipal waste stream via designated collection facilities appointed by the government or the local authorities.
3. The correct disposal of your old appliance will help prevent potential negative consequences for the environment and human health.
4. For more detailed information about disposal of your old appliance, please contact your city office, waste disposal service or the shop where you purchased the product.

French

Élimination de votre ancien appareil

1. Ce symbole, représentant une poubelle sur roulettes barrée d'une croix, signifie que le produit est couvert par la directive européenne 2002/96/EC.
2. Les éléments électriques et électroniques doivent être jetés séparément, dans les vide-ordures prévus à cet effet par votre municipalité.
3. Une élimination conforme aux instructions aidera à réduire les conséquences négatives et risques éventuels pour l'environnement et la santé humaine.
4. Pour plus d'information concernant l'élimination de votre ancien appareil, veuillez contacter votre mairie, le service des ordures ménagères ou encore la magasin où vous avez acheté ce produit.

Italian

Smaltimento delle apparecchiature obsolete

1. Quando su un prodotto è riportato il simbolo di

un bidone della spazzatura barrato da una croce significa che il prodotto è coperto dalla direttiva europea 2002/96/EC.

2. Tutti i prodotti elettrici ed elettronici dovrebbero essere smaltiti separatamente rispetto alla raccolta differenziata municipale, mediante impianti di raccolta specifici designati dal governo o dalle autorità locali.
3. Il corretto smaltimento delle apparecchiature obsolete contribuisce a prevenire possibili conseguenze negative sulla salute umana e sull'ambiente.
4. Per informazioni più dettagliate sullo smaltimento delle apparecchiature obsolete, contattare il comune, il servizio di smaltimento rifiuti o il negozio in cui è stato acquistato il prodotto.

Swedish

Kassering av din gamla apparat

1. När den här symbolen med en överkryssad soptunna på hjul sitter på en produkt innebär det att den regleras av European Directive 2002/96/EC.
2. Alla elektriska och elektroniska produkter bör kasseras via andra vägar än de som finns för hushållsavfall, helst via för ändamålet avsedda uppsamlingsanläggningar som myndigheterna utser.
3. Om du kasserar din gamla apparat på rätt sätt så bidrar du till att förhindra negativa konsekvenser för miljön och människors hälsa.
4. Mer detaljerad information om kassering av din gamla apparat kan fås av kommunen, renhållningsverket eller den butik där du köpte produkten.

Dutch

Uw oude toestel wegdoen

1. Als het symbool met de doorgekruiste verrijdbare afvalbak op een product staat, betekent dit dat het product valt onder de Europese Richtlijn 2002/96/EC.
2. Elektrische en elektronische producten mogen niet worden meegegeven met het huishoudelijk afval, maar moeten worden ingeleverd bij speciale inzamelingspunten die door de lokale of landelijke overheid zijn aangewezen.
3. De correcte verwijdering van uw oude toestel helpt negatieve gevolgen voor het milieu en de menselijke gezondheid voorkomen.

Regulatory Information cont.

4. Wilt u meer informatie over de verwijdering van uw oude toestel? Neem dan contact op met uw gemeente, de afvalophaaldienst of de winkel waar u het product hebt gekocht.

Finnish

Vanhonjen laitteiden hävittäminen

1. Tämä merkki tuotteessa tarkoittaa, että tuote kuuluu sähkö- ja elektroniikkalaiteromusta annetun EU-direktiivin 2002/96/EY soveltamisalaan.
2. Kaikki elektroniset laitteet ovat ongelmajätettä, joten ne on toimitettava paikalliseen keräyspisteeseen.
3. Vanhan laitteen asianmukainen hävittäminen ehkäisee mahdollisia ympäristöön ja terveyteen kohdistuvia haittavaikutuksia.
4. Lisätietoa vanhan laitteen hävittämisestä saat ottamalla yhteyden paikallisiin viranomaisiin, kierrätyskeskukseen tai myymälään, josta ostit laitteen.

German

Entsorgung von Altgeräten

1. Wenn dieses Symbol eines durchgestrichenen Abfalleimers auf einem Produkt angebracht ist, unterliegt dieses Produkt der europäischen Richtlinie 2002/96/EC.
2. Alle Elektro- und Elektronik-Altgeräte müssen getrennt vom Hausmüll über dafür staatlich vorgesehenen Stellen entsorgt werden.
3. Mit der ordnungsgemäßen Entsorgung des alten Geräts vermeiden Sie Umweltschäden und eine Gefährdung der persönlichen Gesundheit.
4. Weitere Informationen zur Entsorgung des alten Geräts erhalten Sie bei der Stadtverwaltung, beim Entsorgungsamt oder in dem Geschäft, wo Sie das Produkt erworben haben.

Danish

Sådan smider du dit gamle apparat ud

1. Når der er et tegn med et kryds over en skraldespand, betyder det, at produktet er omfattet af EU-direktiv 2002/96/EC.
2. Alle elektriske og elektroniske produkter skal smides ud et andet sted end gennem den kommunale affaldsordning ved hjælp af specielle indsamlingsfaciliteter, der er organiseret af staten

eller de lokale myndigheder.

3. Korrekt bortskaffelse af dit gamle apparat er med til at forhindre mulige skadevirkninger på miljøet og menneskelig sundhed.
4. Mere detaljerede oplysninger om bortskaffelse af dit gamle apparat kan fås ved at kontakte dit lokale kommunekontor, renovationselskab eller den butik, hvor du købte produktet.

Greek

Απόρριψη της παλιάς σας συσκευής

1. Όταν ένα προϊόν διαθέτει το σύμβολο ενός διαγραμμένου κάλαθου απορριμμάτων, τότε το προϊόν καλύπτεται από την Ευρωπαϊκή Οδηγία 2002/96/ΕΟΚ.
2. Η απόρριψη όλων των ηλεκτρικών και ηλεκτρονικών προϊόντων πρέπει να γίνεται χωριστά από τα γενικά οικιακά απορρίμματα μέσω καθορισμένων εγκαταστάσεων συλλογής απορριμμάτων, οι οποίες έχουν δημιουργηθεί είτε από την κυβέρνηση ή από τις τοπικές αρχές.
3. Η σωστή απόρριψη της παλιάς σας συσκευής θα βοηθήσει στην αποτροπή πιθανών αρνητικών συνεπειών ως προς το περιβάλλον και την υγεία του ανθρώπου.
4. Για πιο λεπτομερείς πληροφορίες σχετικά με την απόρριψη της παλιάς σας συσκευής, επικοινωνήστε με το αρμόδιο τοπικό γραφείο, υπηρεσία διάθεσης οικιακών απορριμμάτων ή το μαγαζί από το οποίο αγοράσατε το προϊόν.

Spanish

Cómo deshacerse de aparatos eléctricos y electrónicos viejos

1. Si en un producto aparece el símbolo de un contenedor de basura tachado, significa que éste se acoge a la Directiva 2002/96/CE.
2. Todos los aparatos eléctricos o electrónicos se deben desechar de forma distinta del servicio municipal de recogida de basura, a través de puntos de recogida designados por el gobierno o las autoridades locales.
3. La correcta recogida y tratamiento de los dispositivos inservibles contribuye a evitar riesgos potenciales para el medio ambiente y la salud pública.
4. Para obtener más información sobre cómo deshacerse de sus aparatos eléctricos y electrónicos viejos, póngase en contacto con su ayuntamiento, el servicio de recogida de basuras o el establecimiento donde adquirió el producto.

Regulatory Information cont.

Portuguese

Eliminação do seu antigo aparelho

1. Quando este símbolo de latão cruzado estiver afixado a um produto, significa que o produto é abrangido pela Directiva Europeia 2002/96/EC.
2. Todos os produtos eléctricos e electrónicos devem ser eliminados separadamente do lixo doméstico através de pontos de recolha designados, facilitados pelo governo ou autoridades locais.
3. A eliminação correcta do seu aparelho antigo ajuda a evitar potenciais consequências negativas para o ambiente e para a saúde humana.
4. Para obter informações mais detalhadas acerca da eliminação do seu aparelho antigo, contacte as autoridades locais, um serviço de eliminação de resíduos ou a loja onde comprou o produto.

Slovak

Likvidácia váš ho starého prístroja

1. Keď sa na produkte nachádza tento symbol prečiarknutej smetnej nádoby s kolieskami, znamená to, že daný produkt vyhovuje európskej Smernici č. 2002/96/EC.
2. Všetky elektrické a elektronické produkty by mali byť zlikvidované oddelene od komunálneho odpadu prostredníctvom na to určených zberných zariadení, ktoré boli ustanovené vládou alebo orgánmi miestnej správy.
3. Správnu likvidáciu starých zariadení pomôžete predchádzať potenciálnym negatívnym následkom pre prostredie a ľudské zdravie.
4. Podrobnejšie informácie o likvidácii starých zariadení nájdete na miestnom úrade, v službe na likvidáciu odpadu alebo u predajcu, kde ste tento produkt zakúpili.

Czech

Likvidace starých spotřebičů

1. Pokud je u výrobku uveden symbol pojízdného kontejneru v přeškrtnutém poli, znamená to, že na výrobek se vztahuje směrnice Evropské unie číslo 2002/96/EC.
2. Všechny elektrické a elektronické výrobky by měly být likvidovány odděleně od běžného komunálního odpadu prostřednictvím sběrných zařízení zřízených za tímto účelem vládou nebo místní samosprávou.
3. Správný způsob likvidace starého elektrického spotřebiče pomáhá zamezit možným negativním dopadům na životní prostředí a zdraví.
4. Bližší informace o likvidaci starého spotřebiče získáte u místní samosprávy, ve sběrném zařízení nebo v obchodě, ve kterém jste výrobek zakoupili.

Croatian

Uklanjanje starog aparata

1. Ako se na proizvodu nalazi simbol prekrizene kante za smeće, to znači da je proizvod pokriven europskom direk-

tivom 2002/96/EC.

2. Električni i elektronski proizvodi ne smiju se odlagati zajedno s komunalnim otpadom, već u posebna odlagališta koja je odredila vlada ili lokalne vlasti.
3. Pravilno odlaganje starog proizvoda sprečiti će potencijalne negativne posljedice po okoliš i zdravlje ljudi.
4. Podrobnije informacije o odlaganju starog proizvoda potražite u gradskom uredu, službi za odlaganje otpada ili u trgovini u kojoj ste kupili proizvod.

Hungarian

Régi eszközök ártalmatlanítása

1. A termékhez csatolt áthúzott, keresek szeméttároló jel jelöli, hogy a termék a 2002/96/EC EU-direktíva hatálya alá esik.
2. Minden elektromos és elektronikai terméket a lakossági hulladéktól elkülönítve kell begyűjteni, a kormány vagy az önkormányzatok által kijelölt begyűjtő eszközök használatával.
3. Régi eszközeinek megfelelő ártalmatlanítása segíthet megelőzni az esetleges egészségre vagy környezetre ártalmas hatásokat.
4. Ha több információra van szüksége régi eszközeinek ártalmatlanításával kapcsolatban, tanulmányozza a vonatkozó környezetvédelmi szabályokat, vagy lépjen kapcsolatba az üzlettel, ahol a terméket vásárolta.

Polish

Utylizacja starych urządzeń

1. Kiedy do produktu dołączony jest niniejszy przekreślony symbol kołowego pojemnika na śmieci, oznacza to, że produkt jest objęty dyrektywą 2002/96/EC.
2. Wszystkie elektryczne i elektroniczne produkty powinny być utylizowane niezależnie od odpadów miejskich, z wykorzystaniem przeznaczonych do tego miejsc składowania wskazanych przez rząd lub miejscowe władze.
3. Właściwy sposób utylizacji starego urządzenia pomoże zapobiec potencjalnie negatywnemu wpływowi na zdrowie i środowisko.
4. Aby uzyskać więcej informacji o sposobach utylizacji starych urządzeń, należy skontaktować się z władzami lokalnymi, przedsiębiorstwem zajmującym się utylizacją odpadów lub sklepem, w którym produkt został kupiony.

Regulatory Information cont.

Estonian

Kasutuskõlbmatu seadme käitlemise kord

1. Kui seade on märgistatud selle elektri- ja elektroonikaseadmete lahuskogumist märgistava tähisega (ratastega prügikonteineri kujutis, millele on rist peale tõmmatud), tuleb toodet käidelda vastavalt Eurodirektiivile 2002/96/EÜ.
2. Elektri- ja elektroonikaseadmeid ei tohi visata tavalise prügi hulka. Nad kuuluvad lahuskogumisele selleks määratud kogumispunktides.
3. Kasutuskõlbmatu tervikseadme käitlemine tavaprügist lahus on korraldatud selleks, et vältida negatiivseid tagajärgi, mida põhjustaksid seadme osade purunemisel vabaneda võivad ohtlikud jäätmed loodusele või inimorganismile.
4. Täpsemat informatsiooni selle kohta, kuhu ja millal saab ära anda oma kasutamiskõlbmatu elektri- ja elektroonikaseadme, küsige kohalikult omavalitsuselt, prügifirmalt või kaupluselt, kust seadme ostsite.

Latvian

Vecās elektroierīces nodošana

1. Ja uz produkta ir simbols ar pārsvītrotu atkritumu tvertni, tas nozīmē, ka produkts ir iekļauts Eiropas direktīvā 2002/96/EC.
2. Visi elektriskie un elektroniskie produkti ir jāutilizē, nododot pašvaldības īpaši noteiktās pieņemšanas vietās. Tos nedrīkst izmest parastās municipalitātes atkritumu urnās.
3. Ievērojot prasības veco elektroierīču utilizēšanā, jūs pasargāsiet apkārtējo vidi un cilvēku veselību no iespējami nelabvēlīgajām sekām, kādas varētu rasties, ierīcēm sadaloties nepiemērotā vietā.
4. Lai gūtu plašāku informāciju par veco ierīču utilizēšanas iespējām, sazinieties ar pilsētas pašvaldību, atkritumu savākšanas saimniecību vai veikalu, kurā ierīci iegādājāties.

Lithuanian

Senos įrangos atliekų tvarkymas

1. Užbrauktas konteinerio simbolis priverčia ant prekės reiškia, kad įrangą saugo Europos direktyva 2002/96/EC.
2. Visos elektros ir elektroninės įrangos atliekos turi būti renkamos atskirai ir neišmetamos į atliekų konteinerį kartu su kitomis komunalinėmis atliekomis, taikant specialią atliekų surinkimo sistemą, patvirtintą vyriausybės ar vietos valdžios.
3. Teisingas senos įrangos atliekų tvarkymas, padės išvengti neigiamų pasekmių aplinkai ir žmonių sveikatai.
4. Dėl išsamesnės informacijos apie senos įrangos tvarkymą, prašome kreiptis į miesto valdžią, atliekų perdirbimo tarnybą arba parduotuvę, kurioje pirkote įrangą.