



**LG**

Life's Good

English

OWNER'S MANUAL

# NETWORK MONITOR

Please read the safety information carefully before using the product.

Network Monitor Model  
N2311AZ

[www.lg.com](http://www.lg.com)

# TABLE OF CONTENTS

## 3 ASSEMBLING AND PREPARING

---

- 3 Unpacking
- 4 Parts and buttons
- 6 Lifting and moving the Monitor
- 6 Setting Up the Monitor set
  - 6 - Attaching the Stand Base
  - 7 - Mounting on a table
  - 7 - Adjusting the angle
  - 8 - Adjusting the stand height
  - 8 - Using the Kensington locking device
  - 9 - Detaching the stand base
  - 9 - Detaching the stand body
  - 10 - Swivel stand
  - 10 - Using the Pivot function
  - 11 - Installing the wall mount plate
  - 11 - Mounting on a wall


## 13 USING THE MONITOR SET

---

- 13 Connecting Input Signal Cable
  - 13 - D-SUB IN connection - PC
  - 13 - D-SUB OUT connection - PCoIP
  - 14 - DVI connection - PCoIP
- 15 Connecting LAN/Peripherals
  - 15 - LAN connection - PCoIP
  - 16 - Peripheral device connection
  - 17 - Self Image Adjustment

## 18 CUSTOMIZING SETTINGS

---

- 18 Accessing The Main Menus
- 19 MENU Settings
  - 19 - Picture
  - 20 - Color
  - 21 - Display
  - 21 - Volume (Only supported in PCoIP)
  - 22 - Others
- 23 AUTO Settings : D-SUB Input
- 23  Settings : PCoIP Input

## 24 TROUBLESHOOTING

---

## 26 PRODUCT SPECIFICATION

---

- 27 Preset Mode
- 27 Power Indicator

## 28 PROPER POSTURE

---

- 28 Proper posture for using the monitor

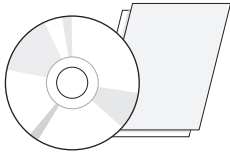
## 29 USING PCOIP SOLUTION

---

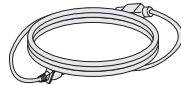
# ASSEMBLING AND PREPARING

## Unpacking

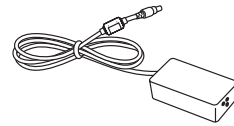
Please check whether all the components are included in the box before using the product. If there are missing components, contact the retail store where you purchased the product. Note that the product and components may look different from those shown here.



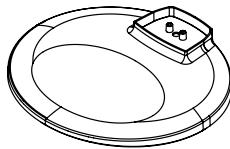
User Manual/Card



Power Cord



Adaptor



Stand Base



15-pin D-SUB Signal Cable



### CAUTION

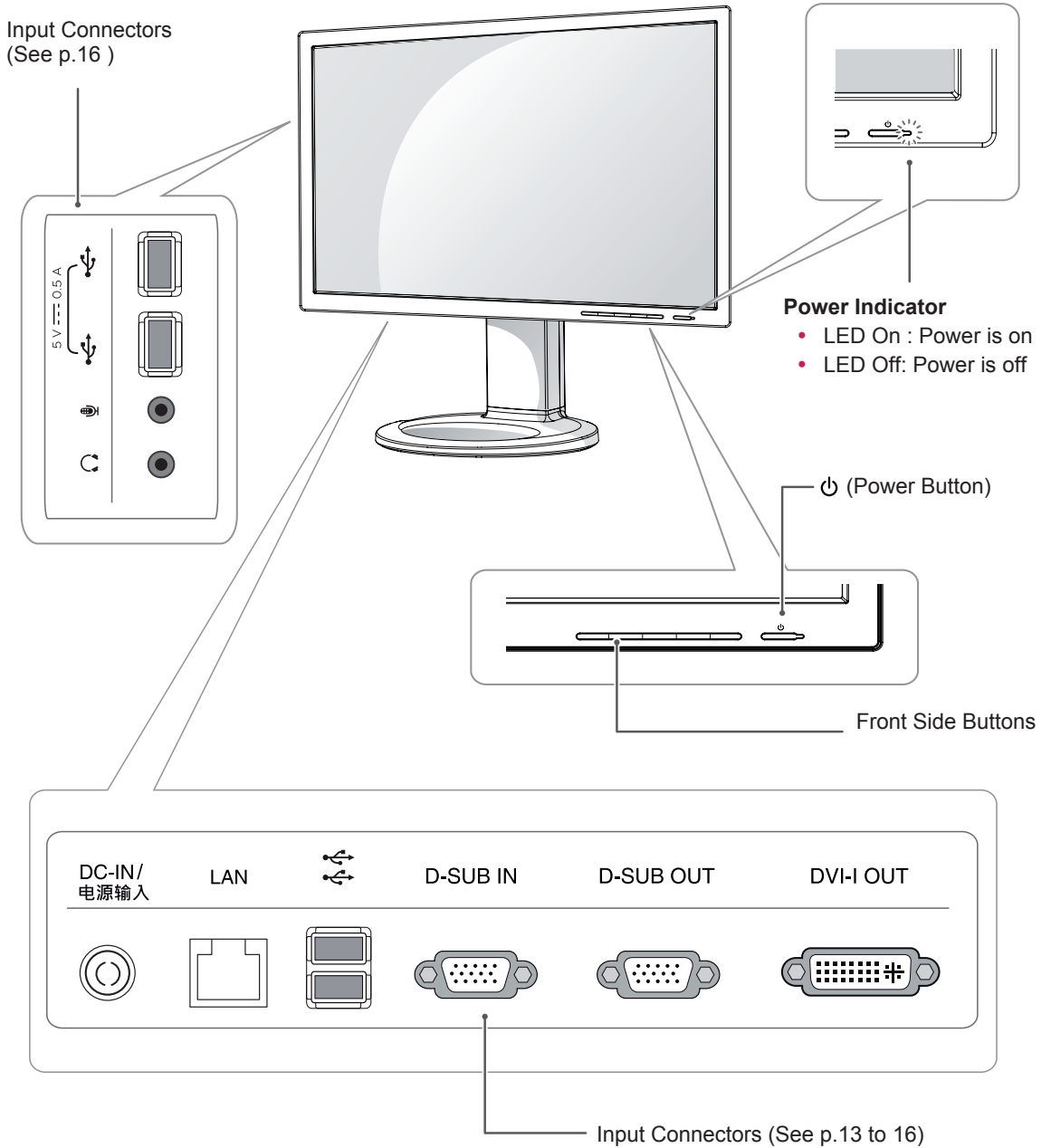
- Only use an approved LG power adapter.
- Damage caused by other power adapters is not covered by warranty.



### NOTE

- Note that the components may look different from those shown here.
- Without prior notice, all information and specifications in this manual are subject to change to improve the performance of the product.
- To purchase optional accessories, visit an electronics store or online shopping site or contact the retail store where you purchased the product.

# Parts and buttons



Button	Description	
MENU	Activates the main menu.	
	<b>OSD Lock/Unlock Functions</b>	Locks/unlocks the OSD screen. <ul style="list-style-type: none"> <li>To lock the OSD screen, press and hold the MENU button for several seconds. The "OSD LOCKED" message will be displayed and the screen will be locked.</li> <li>To unlock the OSD screen, press and hold the MENU button again for several seconds. The "OSD UNLOCKED" message will be displayed and the screen will be unlocked.</li> </ul>
VOLUME (Only PCoIP mode)	Adjust the volume of the Monitor set.(See p.21)	
AUTO	To adjust the monitor settings, press the AUTO button on the MONITOR SETUP OSD menu (only supported for analog signal). For optimal screen display, use the following resolution.	
	<b>Optimal Resolution</b>	1920 x 1080
INPUT	Allows selection of the input signal. <ul style="list-style-type: none"> <li>If you connect the monitor to a computer using a D-SUB cable, select either the PCoIP or D-SUB input signal.</li> <li>The initial input signal is D-SUB.</li> </ul>	
EXIT	Exits the OSD menu.	
⏻ (Power Button)	<ul style="list-style-type: none"> <li>D-SUB Input: Power On/Off</li> <li>PCoIP Input <ul style="list-style-type: none"> <li>Monitor Off: Press the power button once then the monitor will be turned off after 5 seconds.</li> <li>PCoIP Off: Press the power button twice then the monitor and PCoIP connection will be disabled.</li> <li>PCoIP On: Press the power button.</li> <li>Remote PC Power Control: Press the power button for at least five seconds to turn the PC on/off.</li> </ul> </li> </ul> <p>* Remote PC Power Control only works on the host PC where PCoIP host card is installed and requires separate setup.</p>	
	<b>Power Indicator</b>	When the monitor is in operating mode, the power indicator will turn Red (on mode). When the monitor is in power saving mode, the power indicator will blink Red.

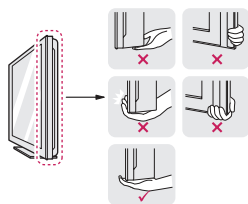
## Lifting and moving the Monitor

Please heed the following information when moving the monitor.

### CAUTION

- Avoid touching the screen at all times, as this may result in damage to the screen or pixels .

- It is recommended to move the Monitor in the box or packing material that the Monitor originally came in.
- Before moving or lifting the Monitor, disconnect the power cord and all cables.
- Hold the top and bottom of the Monitor frame firmly. Make sure not to hold the transparent part area.



- When holding the Monitor, the screen should face away from you to prevent the screen from scratches.



- When transporting the Monitor, do not expose the Monitor to jolts or excessive vibration.
- When transporting the Monitor, keep the Monitor upright, never turn the Monitor on its side, or tilt towards the left or right.

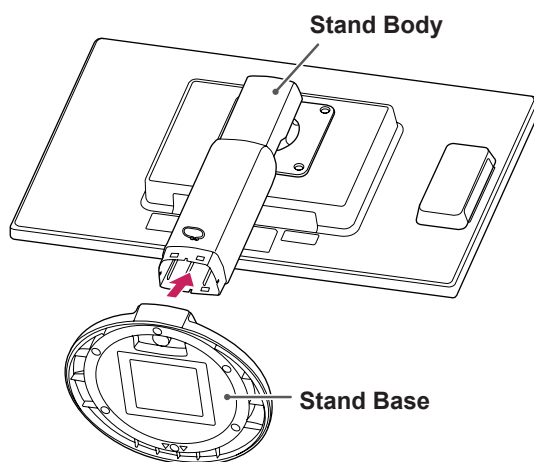
## Setting Up the Monitor set Attaching the Stand Base

- 1 Place the monitor's screen face down.

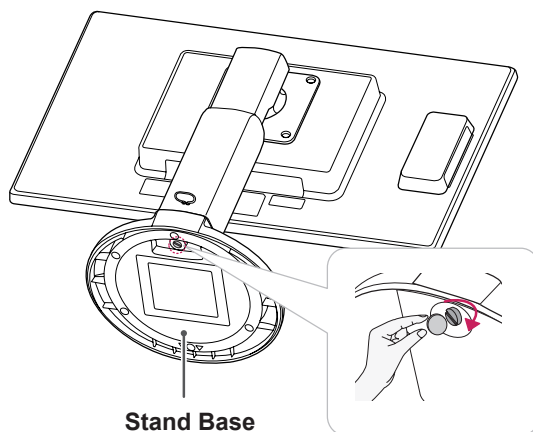
### CAUTION

- To protect the screen from scratches, cover the surface with a soft cloth.

- 2 Check the **position (at the front and rear)** of the stand body, then mount the **stand base** on the **stand body** as shown in the figure.



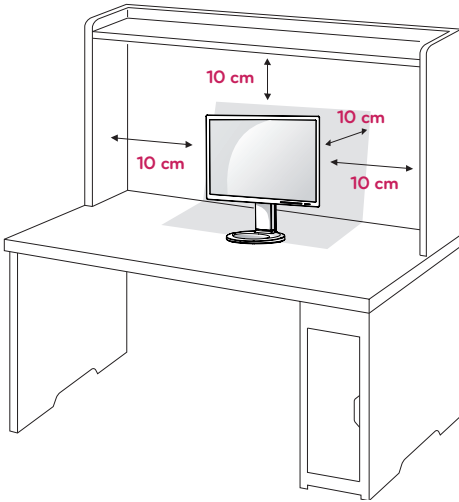
- 3 Using a coin, turn the screw clockwise to secure the **stand base**.



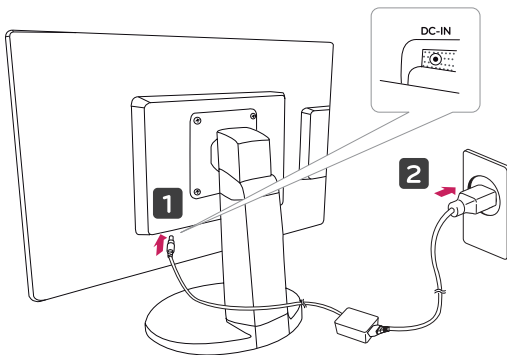
## Mounting on a table

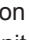
- 1 Lift the monitor and place it on the table in an upright position.

Install at least **10 cm** away from the wall to ensure sufficient ventilation.



- 2 Connect the adaptor to the monitor, then plug the power cord into the wall outlet.



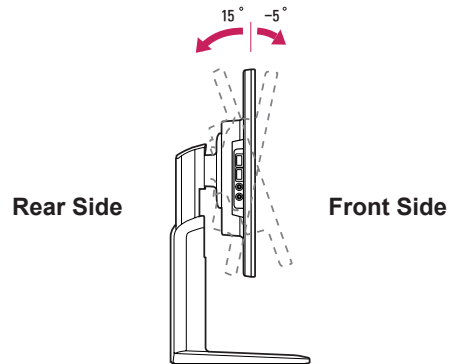
- 3 Press the  (Power) button on the front of the monitor to turn on the monitor.

### CAUTION

- Unplug the power cord prior to moving or installing the monitor. There is risk of electric shock.

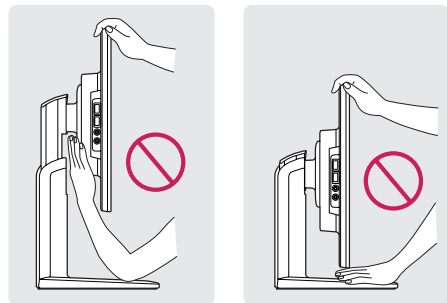
## Adjusting the angle

- 1 Place the monitor mounted on the stand base in an upright position.
- 2 Adjust the angle of the screen. The angle of the screen can be adjusted up to 5° forwards and 15° backwards for a comfortable viewing experience.

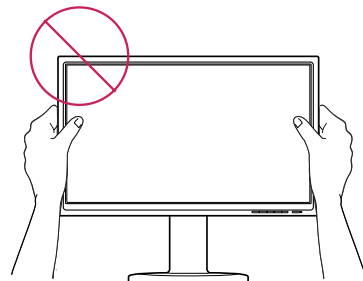


### WARNING

- To avoid injury to the fingers when adjusting the screen, do not hold as illustrated below.



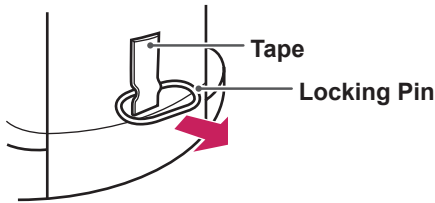
- Be careful not to touch or press the screen area when adjusting the angle of the monitor.



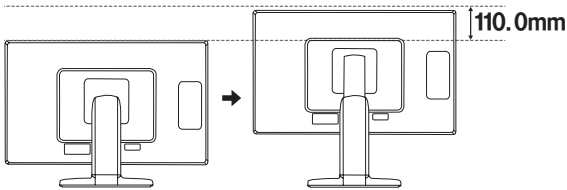
## Adjusting the stand height

- 1 Place the monitor mounted on the stand base in an upright position.
- 2 Remove the **tape** attached at the bottom rear of the **stand body**, then pull out the **locking pin**.

### Stand Body



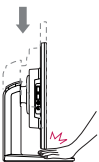
- 3 The height can be adjusted up to **110 mm**.



### CAUTION

- Once the pin is removed, it is not necessary to re-insert it to adjust the height.

### WARNING



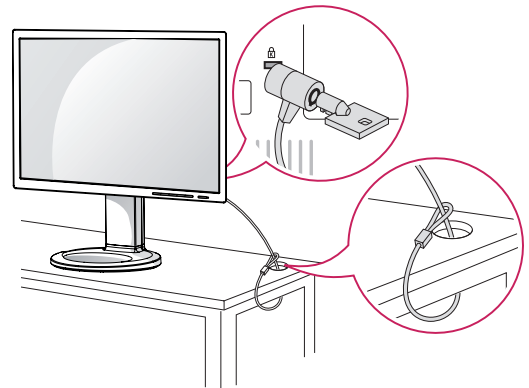
- Do not put your fingers or hand between the screen and the base (chassis) when adjusting the screen's height.

## Using the Kensington locking device

The connector for the Kensington lock is located on the rear of the monitor.

For more information on installation and usage, refer to the Kensington lock user manual or visit the website at <http://www.kensington.com>.

Connect the monitor to the table with the Kensington lock cable.



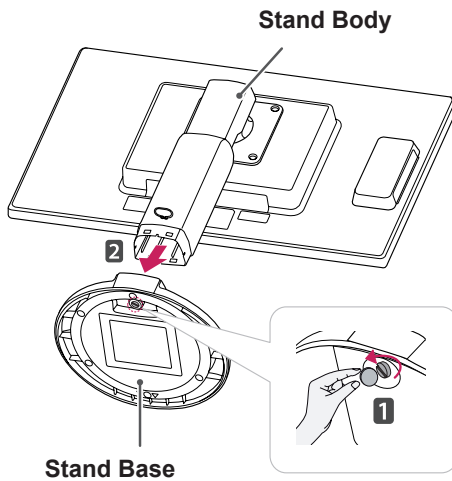
### NOTE

- Using the Kensington lock is optional. The accessories can be purchased at your local electronics store.



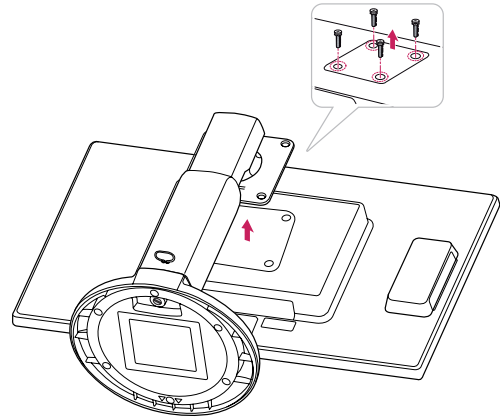
## Detaching the stand base

- 1 Place the monitor's screen face down. To protect the screen from scratches, cover the surface with a soft cloth.
- 2 Using a coin, turn the screw in the stand base counterclockwise. Detach the **stand base** from the **stand body**.



## Detaching the stand body

- 1 Place the monitor's screen face down. To protect the screen from scratches, cover the surface with a soft cloth.
- 2 Using a screwdriver, remove the four screws and detach the stand from the monitor.

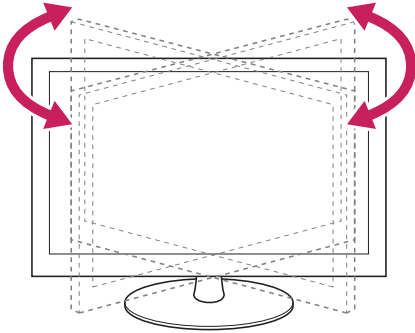


### CAUTION

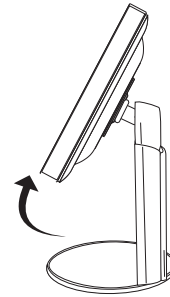
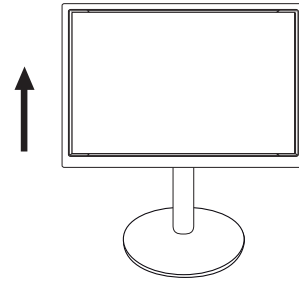
- The components appearing in the illustrations may look different from the actual product.
- Do not carry the monitor upside-down as this may cause it to fall off its stand, resulting in damage or injury.
- To avoid damaging the screen when lifting or moving the monitor, only hold the stand or the plastic cover. This avoids putting unnecessary pressure on the screen.
- Only remove the tape and the locking pin when the monitor is mounted on the stand base and is in an upright position. Otherwise, the stand body may protrude, which may lead to injury.

## Swivel stand

- Image shown may differ from your Monitor set.
- Swivel 356 degrees and adjust the angle of the Monitor set to suit your view.



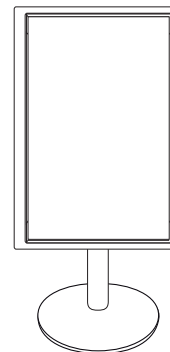
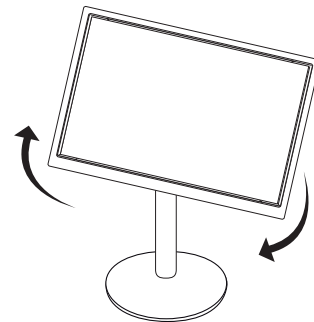
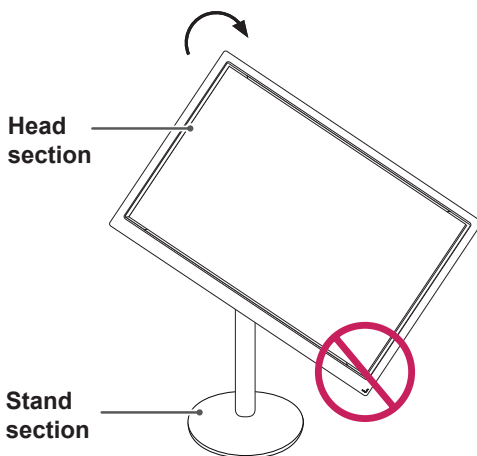
- Be careful with the cables when rotating the screen.



## Using the Pivot function

The pivot function allows you to rotate the screen 90 degrees clockwise.

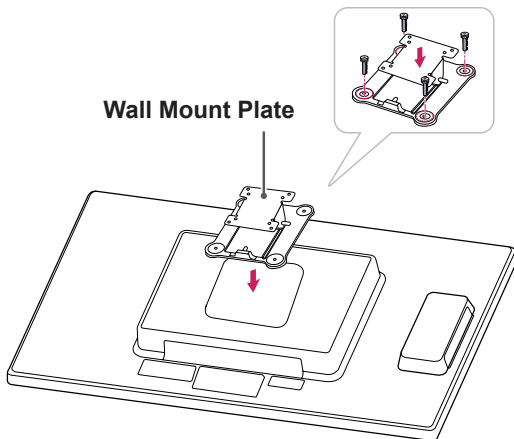
- Lift the monitor to its highest height to utilize the Pivot function.
- Landscape & Portrait : You can rotate the panel 90 degrees clockwise. Please be cautious and avoid contact between the monitor head and the Stand Base when rotating the screen to access the Pivot function. If the monitor head touches the Stand Base, then the Stand Base could crack.



## Installing the wall mount plate

This monitor has a VESA compatible mount on the back. Most mounts will require an LG mounting plate.

- 1 Place the monitor's screen face down. To protect the screen from scratches, cover the surface with a soft cloth.
- 2 Place the wall mount plate on the monitor and align it with the screw holes on the monitor.
- 3 Using a screwdriver, tighten the four screws to fix the plate onto the monitor.

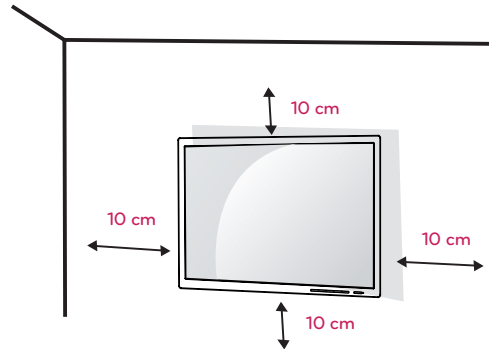


### ! NOTE

- The wall mount plate is sold separately.
- For more information on the installation, refer to the wall mount plate's installation guide.

## Mounting on a wall

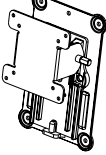
Install the monitor at least 10 cm away from the wall and leave about 10 cm of space at each side of the monitor to ensure sufficient ventilation. Detailed installation instructions can be obtained from your local retail store. Please refer to the manual to install and set up a tilting wall mounting bracket.



If you intend to mount the Monitor set to a wall, attach Wall mounting interface (optional parts) to the back of the set.

When you install the Monitor set using a wall mounting interface (optional parts), attach it carefully so it will not drop.

- 1 Please, Use the screw and wall mount interface in accordance with VESA Standards.
- 2 If you use screw longer than standard, the monitor might be damaged internally.
- 3 If you use improper screw, the product might be damaged and drop from mounted position. In this case, LG Electronics is not responsible for it.
- 4 VESA compatible.
- 5 Please use VESA standard as below.
  - 784.8 mm (30.9 inch) and under
    - \* Wall Mount Pad Thickness : 2.6 mm
    - \* Screw :  $\Phi$  4.0 mm x Pitch 0.7 mm x Length 10 mm
  - 787.4 mm (31.0 inch) and above
    - \* Please use VESA standard wall mount pad and screws.

<b>Model</b>	N2311AZ
<b>VESA (A x B)</b>	100 x 100
<b>Stand Screw</b>	M4
<b>Required Screw</b>	4
<b>Wall Mount Plate (Optional)</b>	RW120 

**CAUTION**

- Unplug the power cord before moving or installing the monitor to avoid electric shocks.
- Installing the monitor on the ceiling or on a slanted wall may result in the monitor falling off, which could lead to injury. Please use a LG wall mounting bracket when using a VESA mount. For more information, contact your local retail store or a qualified installer.
- Applying excessive force when fastening screws may cause damage to the monitor. Damage caused in this way will not be covered by the product warranty.
- Use the wall mounting bracket and screws that conform to the VESA standard. Damage caused by the use or misuse of inappropriate components will not be covered by the product warranty.

**NOTE**

- Use the screws specified in the VESA standard.
- The wall mount kit includes the installation guide and necessary parts.
- The wall mounting bracket is optional. The accessories can be purchased at your local retail store.
- The length of the screw may differ for each wall mounting bracket. Ensure the correct length of the screw is used.
- For more information, please refer to the user manual for the wall mounting bracket.

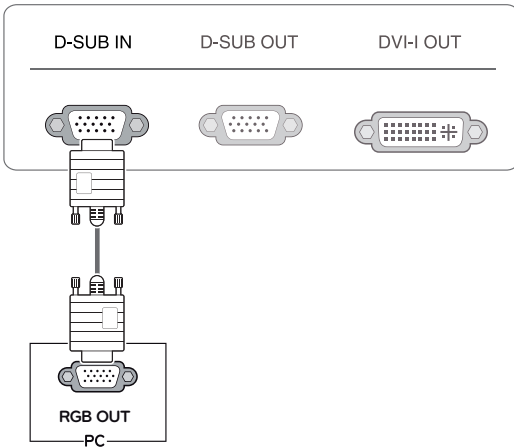
# USING THE MONITOR SET

## Connecting Input Signal Cable

- This monitor supports the \*Plug and Play feature.  
\*Plug and Play: A feature that allows you to add a device to your computer, without having to reconfigure anything or install any manual drivers.

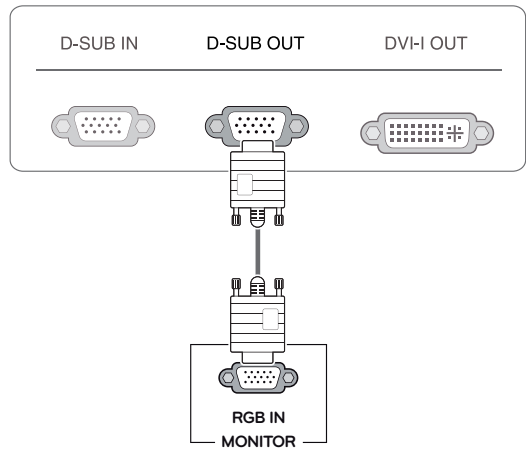
### D-SUB IN connection - PC

D-SUB IN transfers analog video signals from the PC to the monitor.  
Connect the monitor to the PC using the provided 15-pin D-SUB signal cable as illustrated below.



### D-SUB OUT connection - PCoIP

D-SUB OUT can only mirror the PCoIP image displayed on the monitor. (it does not support an extended desktop).  
Connect the monitor to the PC using the provided 15-pin D-SUB signal cable as illustrated below.



**NOTE**

- When using this device simply as a regular monitor through the RGB IN port, set "PCoIP" to OFF in MENU > OTHERS to reduce energy consumption. (See p.22)

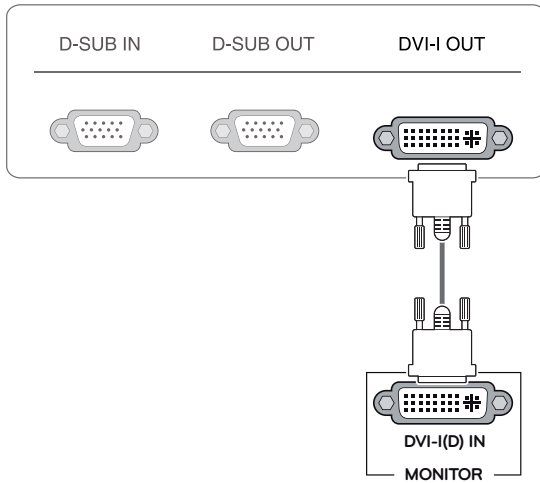
**NOTE**

- **Apple Adapter**  
An adapter may be needed for Apple computers. This adapter can be purchased from Apple.

## DVI connection - PCoIP

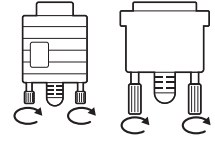
Transfers video signals to another monitor. Connect the monitor using the DVI cable as illustrated below.

It is used for the expansion or replication of PCoIP mode screen.



### ! CAUTION

- Connect the input signal cable and tighten in the direction of the arrow. To prevent disconnection secure the cable tightly.
- Do not press on the screen for a prolonged time. This may cause image distortion.
- Do not display a still image on the screen for a prolonged time. This may cause image retention. If possible, use the screen saver.



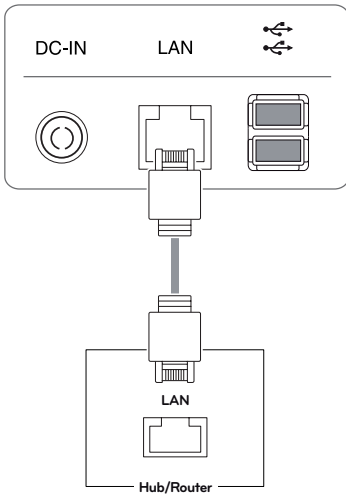
### ! NOTE

- To connect the monitor to a computer, use the appropriate signal cable (LAN and D-SUB).
- A converter can be used to convert the DVI-I input signal to D-SUB input signal.
- When connecting the power cord to the outlet, use a grounded (3-hole) multi-socket or a grounded wall outlet.
- The monitor may flicker when turned on in an area of low temperature. This is normal.
- Sometimes red, green or blue spots may appear on the screen. This is normal.

## Connecting LAN/Peripherals

### LAN connection - PCoIP

The LAN connection transmits PCoIP signals to the monitor. Connect the router or switch to the monitor using a LAN cable as illustrated below.



#### ! NOTE

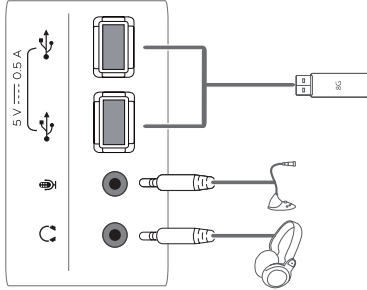
- The LAN cable is sold separately.
- The following LAN cable type can be used:  
Standard: IEEE 802.3 ETHERNET
- If a device is connected into the earphone out port via a LAN cable, you can adjust the volume with the volume icon on PC taskbar.

#### ! NOTE

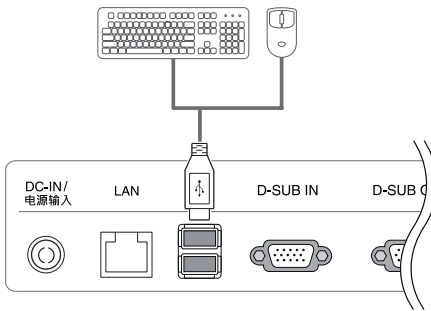
- Connect the LAN cable and the peripheral devices prior to booting up the PC.

## Peripheral device connection

Connect peripheral devices to the monitor using USB, microphone and headphone ports.



Left



Bottom

### ! NOTE

- Peripheral devices are sold separately.
- The USB ports on the left and bottom of the monitor can be used to connect the keyboard, mouse, and other USB devices.
- Cables with angled plugs may have clearance issues, use straight plugs when possible.



Angle Type



Straight Type

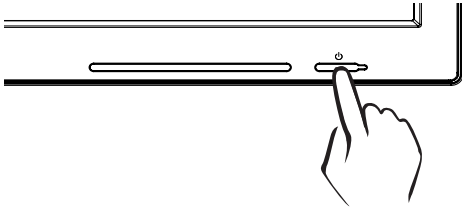
### ! NOTE

- Headphones, speakers or microphone may not work normally, depending on the server PC settings.
- Virtual solutions may affect the functions or speed of the specific USB storage device.



## Self Image Adjustment

Press the power button on the front to turn on the monitor. When powered on, the **"Self Image Adjustment"** function will run automatically (only available for analog [D-SUB input] signals).



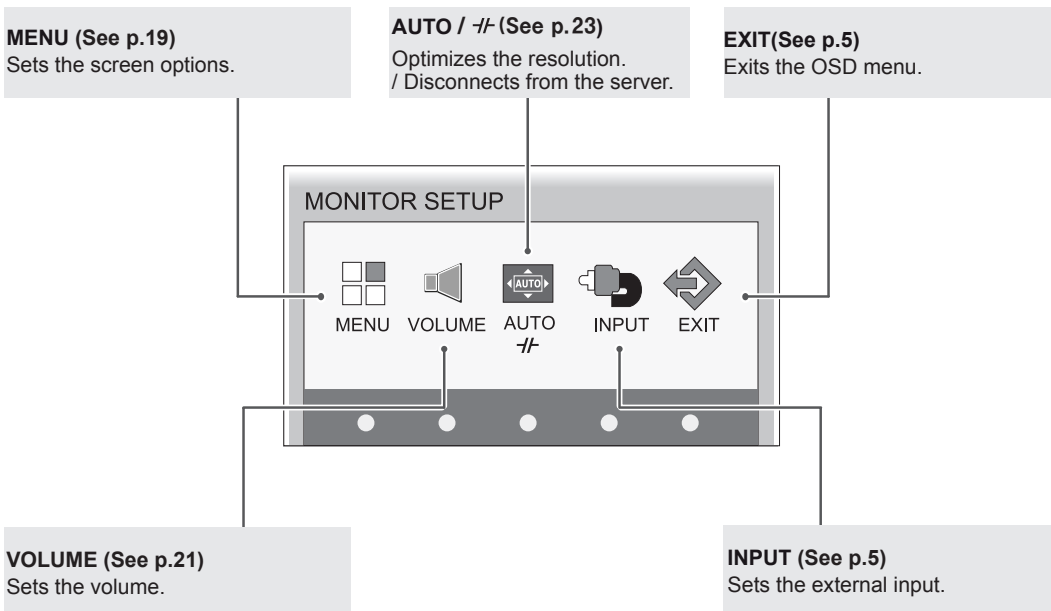
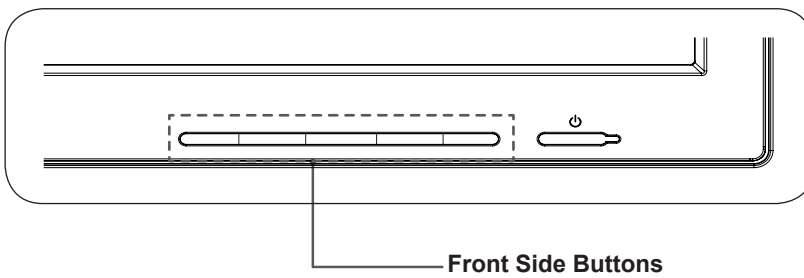
### ! NOTE

- What is "Self Image Adjustment"? This function runs when the monitor is connected for the first time and performs automatic image adjustment for each signal (only available for analog [D-SUB input] signals) to provide an optimal screen display.

# CUSTOMIZING SETTINGS

## Accessing The Main Menu

- 1 Press any button on the front of the monitor to display the MONITOR SETUP OSD menu.
- 2 Press to select the desired menu item.
- 3 To change the settings of the selected item press the buttons on the front of the monitor.  
To return to the upper menu or set other menu items, use the up arrow (↑) button.
- 4 Select EXIT to leave the OSD menu.



### ! NOTE

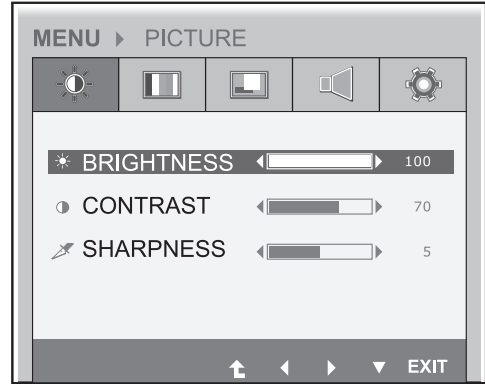
Different menu items are enabled depending on the type of input signal.

- **D-SUB Input:** MENU, AUTO, INPUT, EXIT
- **PCoIP Input:** MENU, VOLUME, +/-, INPUT, EXIT
- The language of the monitor's OSD menu and that of the OSD menu illustrated in the CD-ROM manual may be different.

## MENU Settings

### Picture

- 1 Press any button on the front of the monitor to display the **MONITOR SETUP** OSD menu.
- 2 Press the **MENU** button to display the options in the OSD menu.
- 3 Set the options by pressing the buttons on the front of the monitor.
- 4 Select **EXIT** to leave the OSD menu.  
To return to the upper menu or set other menu items, use the up arrow (↑) button.



Each option is explained below.

Menu	Analog (D-SUB)	PCoIP	Description
<b>BRIGHTNESS</b>	o	o	Sets the brightness of the screen.
<b>CONTRAST</b>	o	o	Sets the contrast of the screen.
<b>SHARPNESS</b>	o	o	Sets the sharpness of the screen.

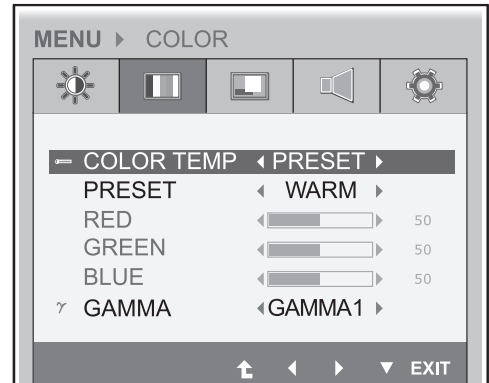
- Analog: D-SUB (analog signal) input. PCoIP: Internal signal through the LAN.

#### ! NOTE

- If the screen is not displayed properly after adjusting the settings, use the "FACTORY RESET" option to revert back to the factory default settings. If necessary, enable the "WHITE BALANCE" option again. This option is enabled only for analog (D-SUB) signals.

## Color

- 1 Press any button on the front of the monitor to display the **MONITOR SETUP** OSD menu.
- 2 Press the **MENU** button to display the options in the OSD menu.
- 3 Set the options by pressing the buttons on the front of the monitor.
- 4 Select **EXIT** to leave the OSD menu.  
To return to the upper menu or set other menu items, use the up arrow (↑) button.



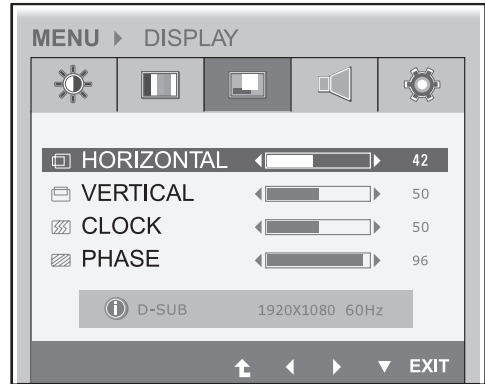
Each option is explained below.

Menu	Analog (D-SUB)	PCoIP	Description	
<b>COLOR TEMP</b>	o	o	Allows PRESET or USER to be selected.	
			WARM	Sets the screen color to a reddish tone.
			MEDIUM	Sets the screen color between the reddish and bluish tone.
			COOL	Sets the screen color to a bluish tone.
<b>USER</b>	o	o	You can customize the picture color using Red, Green, and Blue colors.	
<b>GAMMA</b>	o	o	Sets the clarity of the screen. The gamma value can be set to 0, 1 or 2, from darker to brighter screen colors respectively.	

- **Analog: D-SUB** (analog signal) input. **PCoIP: Internal signal through the LAN.**

## Display

- 1 Press any button on the front of the monitor to display the **MONITOR SETUP** OSD menu.
- 2 Press the **MENU** button to display the options in the OSD menu.
- 3 Set the options by pressing the buttons on the front of the monitor.
- 4 Select **EXIT** to leave the OSD menu.  
To return to the upper menu or set other menu items, use the up arrow (↑) button.



Each option is explained below.

Menu	Analog (D-SUB)	PCoIP	Description
<b>HORIZONTAL</b>	o	x	Moves the display area left or right.
<b>VERTICAL</b>	o	x	Moves the display area up or down.
<b>CLOCK</b>	o	x	If vertical lines are shown on the screen, adjust the frequency to minimize the lines and adjust the screen's horizontal width.
<b>PHASE</b>	o	x	Adjusts the focus of the screen's image. Use when frequencies are shown on the screen or when the text appears overlapped. For optimal results, use this option after adjusting the "CLOCK" option.

- **Analog: D-SUB (analog signal) input. PCoIP: Internal signal through the LAN.**

## Volume (Only supported in PCoIP)

- 1 Press any button on the front of the monitor to display the **MONITOR SETUP** OSD menu.
- 2 Press the **MENU** button to display the options in the OSD menu.
- 3 Set the options by pressing the buttons on the front of the monitor.
- 4 Select **EXIT** to leave the OSD menu.  
To return to the upper menu or set other menu items, use the up arrow (↑) button.

