

User Guide | Guía del Usuario

INSIGNIA™

DRAFT

42" and 50" Plasma TV
Spanish

NS-PDP42/50-09

Insignia

NS-PDP42/50-09

42" and 50" Plasma

TV

Contents

Introduction	3
Safety information	3
Features	5
Accessories	5
Front	5
Back	6
Remote	6
Installing remote control batteries	7
Using the remote control	7
Setting up your TV	8
Installing the stand (42" TV only)	8
Managing the cables	8
Mounting the TV on a wall	8
Securing the TV to a wall to prevent falling	9
Connecting an antenna, cable TV, or satellite TV	9
Connecting external equipment	10
Using your TV	15
Turning the TV on and off	15
Changing channels	15
Adjusting the volume	15
Using the Q.Menu (Quick Menu)	15
Using the on-screen menus	17
Memorizing and setting up channels	17
Selecting the input source for your TV	19
Setting the AV mode	19
Using Simplink to control other AV devices	20
Adjusting picture settings	21
Controlling the sound and language	24
Setting the clock	27
Setting locks and parental controls	29
Maintaining your TV	35
Cleaning the screen	35
Cleaning the cabinet	35
Troubleshooting	35
Operation	35
Video problems	35
Audio problems	36
PC mode problems	36
Specifications	36
Legal notices	36
One-year limited warranty	37
Español	41

Introduction

Congratulations on your purchase of a high-quality Insignia product. Your NS-42/50PDP-09 represents the state of the art in television design, and is designed for reliable and trouble-free performance.

Safety information



Warning

To reduce the risk of electric shock, do not remove the cover or back. There are no user-serviceable parts inside. Refer servicing to qualified service personnel.

To reduce the risk of fire or electric shock, do not expose your TV to rain or moisture.

Caution

To prevent electric shock, match the wide blade on the power cord plug to the wide slot on an electric outlet. If the plug does not fit, consult a licensed electrician to replace the obsolete outlet. Do not modify the power cord plug, or you will defeat this safety feature.



This symbol indicates that dangerous voltage constituting a risk of electric shock is present within your TV. This label is located on the back of your TV.



This symbol indicates that there are important operating and maintenance instructions in the literature accompanying your TV.

Warnings

- Use of controls or adjustments or performance of procedures other than those specified herein may result in hazardous radiation exposure.
- The TV should be connected to an AC power outlet with a protective grounding connection.
- To prevent injury, this apparatus must be securely attached to the floor/wall in accordance with the installation instructions.
- Always place the TV on the floor or a sturdy, level, stable surface that will support the weight of the unit.
- Installing the TV requires special skill that should only be performed by qualified service personnel.
- Customers should not attempt to do the work themselves. Insignia bears no responsibility for improper mounting or mounting that results in accident or injury.

Caution

The AC power plug is used as the disconnect device, so the AC power plug shall always remain readily operable.

Read instructions

Read all of the safety and operating instructions before you use your TV.

Retain instructions

Retain safety and operating instructions for future reference.

Follow warnings and instructions

Follow all warnings on your TV and in the operating instructions. Follow all operating and use instructions.

Water and moisture

Do not use your TV near water. For example, do not use it near a bath tub, wash bowl, kitchen sink, laundry tub, in a wet basement, or near a swimming pool.

Cleaning

Unplug your TV before cleaning. Do not use liquid or aerosol cleaners. Use only a damp cloth to clean the exterior of your TV.

Ventilation

Slots and openings in the cabinet and the back or bottom are provided for ventilation, reliable operation, and protection from overheating. These openings must not be blocked or covered. Do not block the openings by placing your TV on a bed, sofa, rug, or other similar surface. Do not place your TV near or over a radiator or heat register. Do not place your TV in a built-in installation, such as a bookcase or rack, unless you provide correct ventilation or follow the manufacturer's instructions.

Heat

Make sure that your TV is located away from heat sources such as radiators, heat registers, stoves, or other products (including amplifiers) that produce heat.

Grounding or polarization

Do not defeat the safety purpose of the polarized or grounding-type plug. A polarized plug has two blades with one wider than the other. A grounding type plug has two blades and a grounding prong. The wide blade or grounding prong are provided for your safety. If the plug does not fit, contact an electrician to replace the obsolete outlet.

Power cord protection

Route power cords so that they are not likely to be walked on or pinched by items placed on or against them. Pay particular attention to cords at plugs, convenience receptacles, and the point where they exit from your TV.

Attachments

Use only attachments recommended by Insignia.

Stand

Do not place your TV on an unstable cart, stand, tripod, bracket, or table. Your TV may fall, causing serious personal injury and serious damage to your TV. Use only with a cart, stand, tripod, bracket, or table recommended by the manufacturer, or sold with your TV. If you mount your TV to the wall, follow the manufacturer's instructions and use a mounting accessory recommended by the manufacturer. Your TV and cart combination should be moved with care. Quick stops, excessive force, and uneven surfaces may cause your TV and cart combination to overturn.



Lightning

For added protection for your TV's receiver during a lightning storm, or when it is left unattended and unused for long periods of time, unplug it from the power outlet and disconnect the antenna or cable system. This helps prevent damage to your TV from lightning and power line surges.

Servicing

Do not attempt to service your TV yourself because opening or removing covers may expose you to dangerous voltage or other hazards. Refer all servicing to qualified service personnel.

Replacement parts

When replacement parts are required, make sure that the service technician uses replacement parts specified by the manufacturer that have the same characteristics as the original part. Unauthorized substitutions may result in fire, electric shock, personal injury, or other hazards.

Overloading

Do not overload power outlets and extension cords because this can result in a risk of fire or electric shock.

Object and liquid entry

Never push objects of any kind into your TV through openings because objects may touch dangerous voltage points or short out parts that could result in a fire or electric shock. Never spill liquid of any kind on your TV.

Damage requiring service

Unplug this TV from the power outlet and refer servicing to qualified service personnel under the following conditions:

- When the power supply cord or plug is damaged or frayed.
- If liquid has been spilled or objects have fallen into your TV.
- If your TV has been exposed to rain or water.
- If your TV does not operate normally by following the operating instructions. Adjust only those controls that are covered by the operating instructions because incorrect adjustment of other controls may result in damage and will often require extensive work by a qualified technician to restore your TV to its normal operation.
- If your TV has been dropped or damaged in any way.
- When your TV exhibits a distinct change in performance.

Safety check

After completing any service or repair to this TV, ask the service technician to perform routine safety checks to determine that your TV is in correct operating condition.

Power source

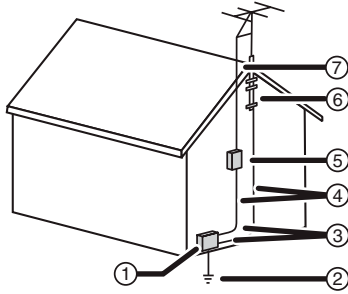
Operate your TV only from the type of power source indicated on the marking label. If you are not sure of the type of power supplied to your home, consult your TV dealer or local power company.

Screen protection

Your TV's screen is made of glass. Do not drop your TV or hit the glass screen. If the screen breaks, be careful of broken glass.

Outdoor antenna grounding

If an outside antenna or cable system is connected to your TV, make sure that the antenna or cable system is grounded to provide some protection against voltage surges and built-up static charges. Article 810 of the National Electrical Code, ANSI/NFPA No. 70, provides information with respect to correct grounding of the mast and supporting structure, grounding of the lead-in wire to an antenna discharge unit, size of grounding conductors, location of the antenna-discharge unit, connection to grounding electrodes, and requirements for the grounding electrode.



1	Electric service equipment
2	Power service grounding electrode system
3	Ground clamps
4	Grounding conductors
5	Antenna discharge unit
6	Grounding clamp
7	Antenna lead-in wire

Note to CATV system installer

This reminder is provided to call the CATV system installer's attention to Article 820-40 of the NEC that provides guidelines for correct grounding and in particular, specifies that the cable ground must be connected to the grounding system of the building as close to the point of cable entry as practical.

End of life directives

Your new TV contains materials which can be recycled and reused. At the end of your TV's life, specialized companies can dismantle the discarded TV to concentrate the reusable materials and to minimize the amount of materials to be disposed of. Dispose of your old TV according to local regulations.

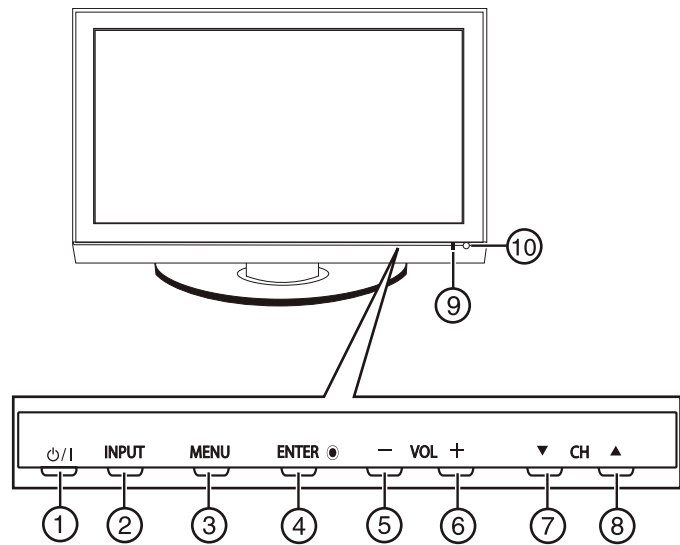
Features

Accessories

Make sure that the following accessories are provided in the package:

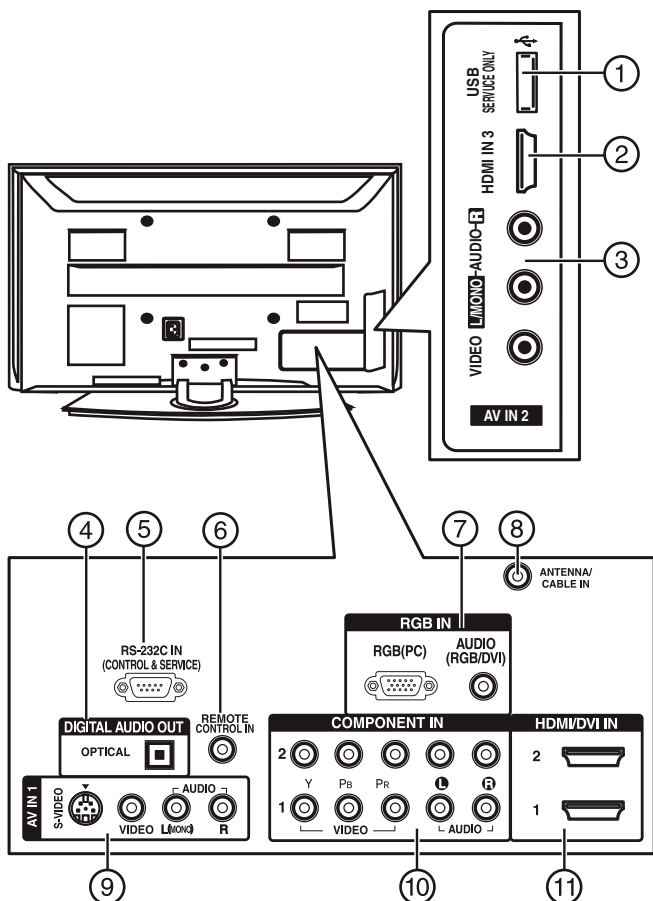
- Power cord
- 75 ohm round cable
- Remote control and batteries (2 x AAA)
- User manual
- CD manual
- Protection cover
- Bolts for stand assembly
- Cable holders
- Cable management clip

Front



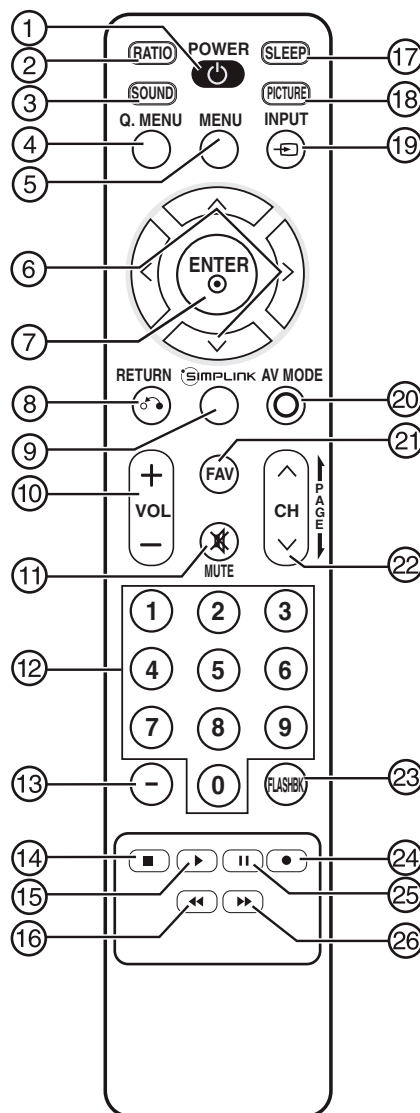
#	Item	Description
1	POWER button	Press to turn your TV on or off.
2	INPUT button	Press to select the AV signal input. You can select TV, AV1, AV2, S-Video, Component, DVD, HDMI, or PC.
3	MENU button	Press to open the on-screen menu.
4	ENTER	Press to confirm your selections.
5	VOL -	Press to decrease the volume.
6	VOL +	Press to increase the volume.
7	CH ▼	Press to change to a lower channel.
8	CH ▲	Press to change to a higher channel.
9	Power/Standby indicator	Lights when your TV is plugged into a power outlet. When your TV is on, the indicator is blue. When your TV is in standby mode, the indicator is red.
10	IR sensor	Receives signals from the remote control. Do not block.

Back



#	Description	Function
10	COMPONENT IN - 1 and 2 (Y, Pb, Pr, AUDIO L, and AUDIO R)	Connect component video cables to the Y, Pb, and Pr jacks and audio L/R cables to the AUDIO IN jacks.
11	HDMI/DVI IN - 1 and 2	Connect an HDMI cable to this connector. Supports HD video and digital audio. Does not support 480i. Accepts DVI video using an adapter or HDMI-to-DVI cable (not included).

Remote



#	Description	Function
1	USB (service only)	Used for software updates.
2	HDMI IN 3	Connect an HDMI cable to this connector. Supports HD video and digital audio. Does not support 480i. Accepts DVI video using an adapter or HDMI-to-DVI cable (not included).
3	AV IN 2 (composite video and L/R audio)	Connect analog composite video (480i) and audio input to these jacks.
4	Digital audio (optical) output	Connect to an amplifier or home theater system to this jack. (Does not work in standby mode.)
5	RS-232 IN (control and service only)	Used by third-party devices.
6	REMOTE CONTROL IN	Connect a wired remote control to this jack.
7	RGB (PC) IN	Connect a VGA (D-sub) cable from your PC to this connector (analog PC). Connect a 1/8" headphone plug to the AUDIO IN jack for analog PC audio.
8	ANTENNA/CABLE IN (coaxial antenna)	Connect a 75 ohm cable from an antenna, cable TV wall jack, or cable box to this jack.
9	AV IN 1 (S-Video, composite video, and L/R audio)	Connect a video cable (analog composite video - 480i) or an S-Video cable (better quality 480i) to the appropriate jack. Connect L/R audio cables to the AUDIO IN jacks for either connection.

#	Button	Description
1	POWER	Press to turn your TV on or off.
2	RATIO	Press to change the aspect ratio of the picture.
3	SOUND	Press to change the preset sound mode.
4	Q.MENU	Press to open the Q.MENU (Quick menu).
5	MENU	Press to open the on-screen TV menus. Press again to return to normal viewing.
6	Navigation arrows	Press to navigate the on-screen menus.
7	ENTER	Press to confirm your selections.

#	Button	Description
8	RETURN ↶	Press to return to the previous menu.
9	Simplink	Press to open the Simplink menu, showing a list of AV devices connected to your TV.
10	VOL +/-	Press to adjust the volume.
11	MUTE	Press to mute the sound. Press again to restore the sound.
12	Number buttons	Press to enter channel numbers.
13	-	Press to view digital sub-channels. First enter the main channel number, then press this button, then enter the sub-channel number.
14	■ (Stop)	Press to stop DVD, VCR, or CD playback with Simplink.
15	▶ (Play)	Press to play a DVD, VCR, or CD with Simplink.
16	◀◀ (Fast Reverse)	Press to fast reverse a DVD, VCR, or CD with Simplink.
17	SLEEP	Press to set the amount of time before your TV turns off.
18	PICTURE	Press to change the preset picture mode.
19	INPUT	Press to cycle through the available source inputs.
20	AV MODE	Press to cycle through the available preset AV modes.
21	FAV	Press to display your favorite channels list.
22	CH √/∧	Press to change the channel.
23	FLASHBK	Press to return to the previous channel.
24	●	Press to record a DVD, VCR, or CD with Simplink.
25	(Pause)	Press to pause a DVD, VCR, or CD with Simplink.
26	▶▶ (Fast Forward)	Press to fast forward a DVD, VCR, or CD with Simplink.

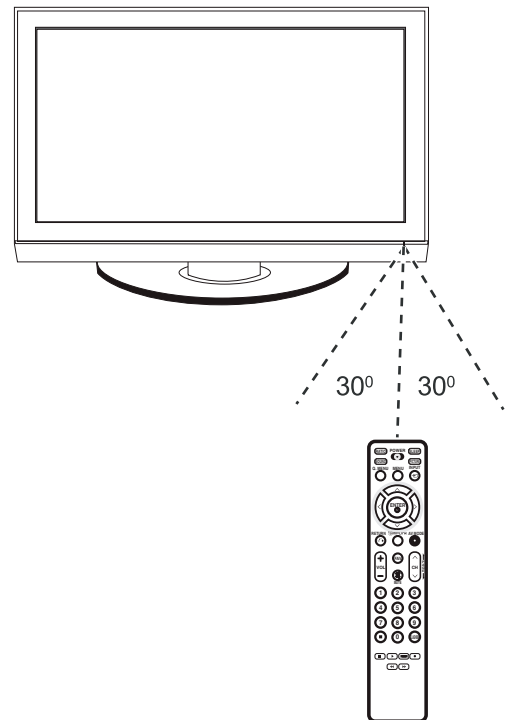
Notes

- Do not mix batteries of different types.
- Do not mix old and new batteries.
- Remove batteries when the charge is depleted.
- Battery chemicals can cause a rash. If the batteries leak, clean the battery compartment with a cloth. If chemicals touch your skin, wash immediately.
- If the remote control is not going to be used for an extended period of time, remove the batteries.

Using the remote control

To use the remote control:

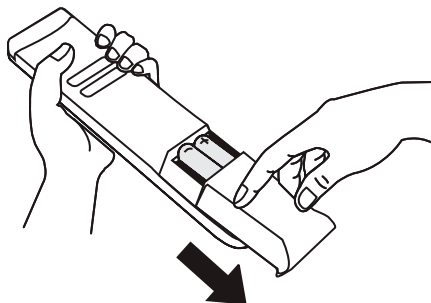
- Point the remote control directly at your TV, within a 60° angle horizontally (30° to either side) and within 30° vertically of the remote control sensor on the front of your TV, and within 26.25 feet (8 m) of your TV.



Installing remote control batteries

To install the remote control batteries:

- 1 Remove the battery cover.



- 2 Insert two 1.5 V AAA batteries into the battery compartment. Make sure that you match the + and - symbols on the batteries with the + and - symbols in the battery compartment.
- 3 Replace the cover.

Caution

Do not expose the remote control to liquids, direct sunlight, or shock. Do not mix batteries of different types.

Notes

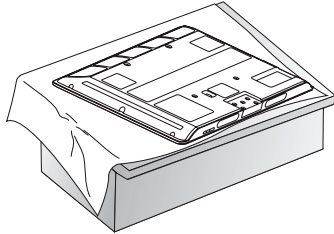
- Objects between the remote control and the remote control sensor may block the remote control signal.
- The range of the remote control may be diminished if direct sunlight or other strong light is shining on the remote control sensor. In this case, change the angle of the lighting, move your TV, or operate the remote control closer to the remote control sensor.

Setting up your TV

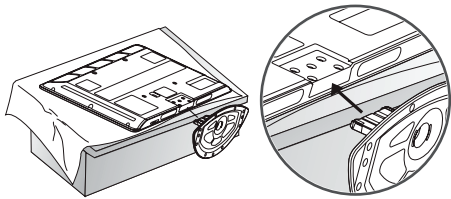
Installing the stand (42" TV only)

To install the stand:

- 1 Carefully place the TV, screen side down, on a cushioned surface to protect the screen from damage.



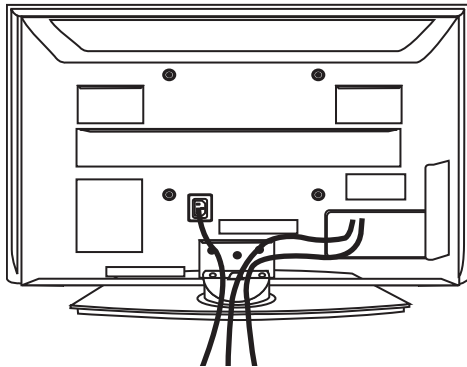
- 2 Secure the stand to the bottom of the TV with the four bolts (provided), using the holes in the back (shown in the illustration) of the TV.



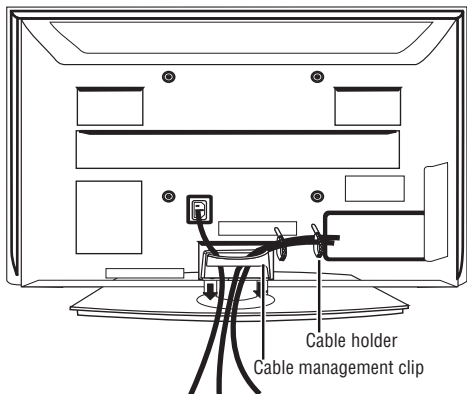
Managing the cables

To manage the cables:

- 1 Connect the cables as necessary. To connect additional equipment, see "Connecting external equipment" on page 10.



- 2 Install the cable management clip to route the cables. If your TV has cable holders, install them to bundle the cables.



To remove the cable management clip:

Warning

Do not grip the cable management clip when moving the TV because it may break or separate from the TV, causing the TV to fall. This could result in possible injury or damage to your TV.

- For the 42" TV, press the cable management clip, then hold it with both hands and pull it upward.

Note to reviewers: Please explain. The source document was not clear on this process.

- For the 50" TV, hold the cable management clip with both hands and pull it backward.

Note to reviewers: Please explain. The source document was not clear on this process.

Mounting the TV on a wall

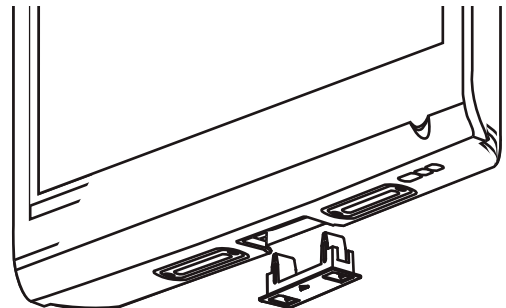
This TV accepts VESA FDMI-compliant mounts using the four screw holes on the back of the TV. These mounts are sold by third parties and not available from Insignia. Refer to the instructions included with the mount for more information.

Note

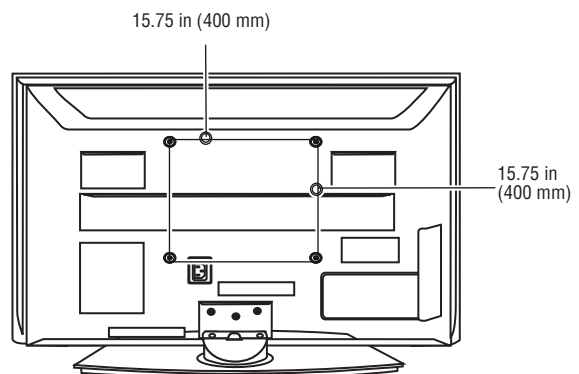
The screw length required depends on the wall mount used. Refer to the instructions included with the wall mount.

To install a wall mount bracket:

- 1 Remove the stand by performing the stand installation instructions in reverse.
- 2 Install the included protection cover over the hole for the stand.



- 3 Mount the wall bracket to the TV, using the screw holes indicated in the illustration.



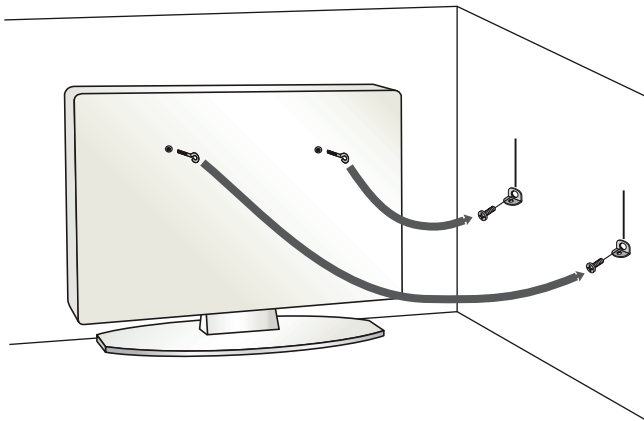
Securing the TV to a wall to prevent falling

We recommend that you set up the TV close to a wall so it cannot fall over if pushed backwards. We also recommend that the TV be attached to a wall so it cannot be pulled over forward, potentially causing injury or damaging the TV.

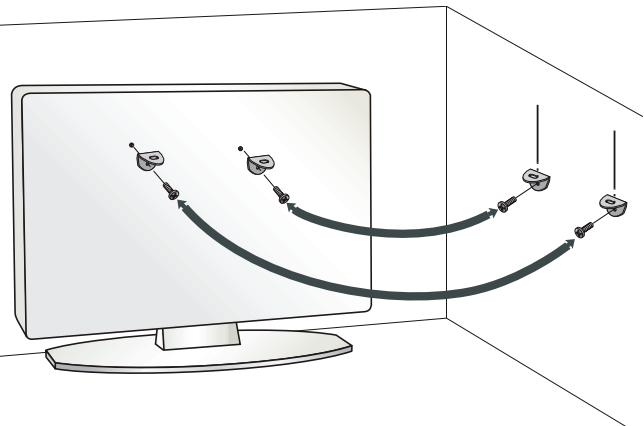
Caution
Make sure that children do not climb on or hang from the TV.

To secure your TV to the wall:

- 1 Insert eye-bolts (or TV brackets and bolts) in the top mounting holes on the back of your TV. If your TV has screws in the eye-bolt holes, remove them before inserting the eye-bolts.



- 2 Tighten the bolts securely.



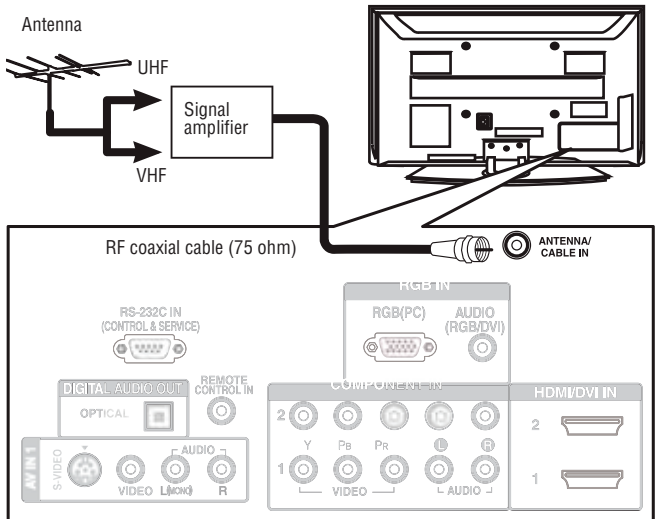
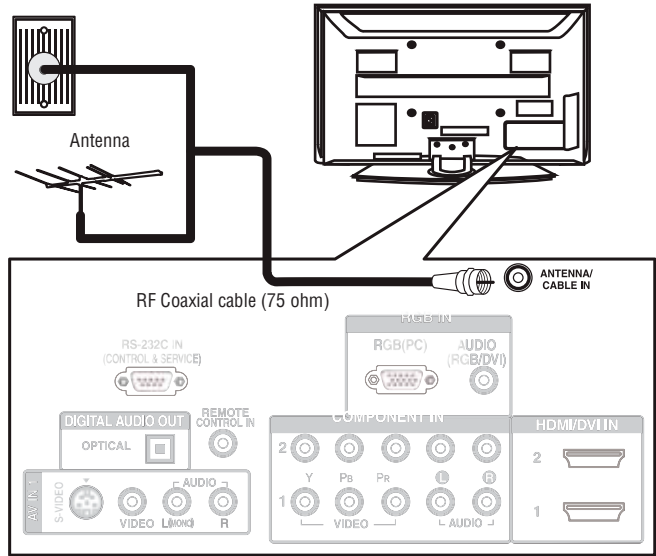
- 3 Secure wall brackets with bolts (not provided) to the wall. Match the height of the wall bracket to the holes in the TV. Make sure that the eye-bolts or brackets are tightened securely.
- 4 Use a sturdy rope or cable (not provided) to secure the TV. We recommend that you tie the rope or cable so that it becomes horizontal between the wall and the TV.

Caution

- Use a platform or cabinet strong enough and large enough to support the size and weight of the TV.

Connecting an antenna, cable TV, or satellite TV

Antenna wall socket or Cable TV wall jack

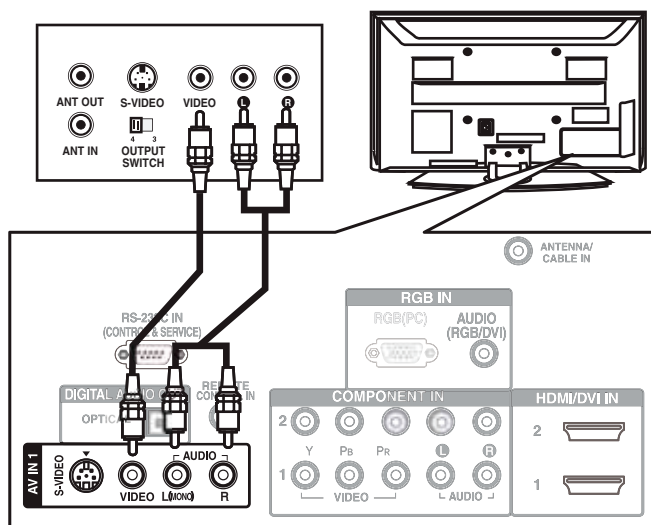


To connect an external antenna, cable TV, or satellite TV:

- 1 Remove the port cover from the back of your TV.
- 2 Plug the 75 ohm antenna cable from an antenna, cable TV, or satellite receiver into the **ANTENNA/CABLE IN** jack on the back of your TV.
- 3 Replace the port cover on the back of your TV.
- 4 Turn on your TV.
- 5 Press **INPUT**, press **<** or **>** to select **TV**, then press **ENTER** to confirm.

Connecting external equipment

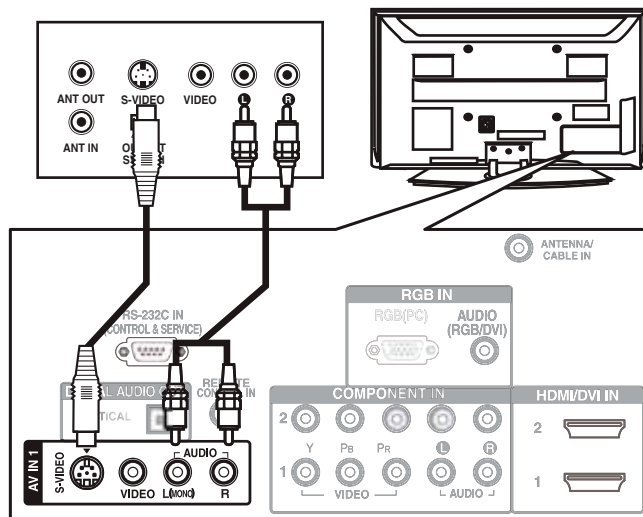
Connecting external equipment using composite video (good—analogue)



To connect a standard video device to the AV IN 1 or AV IN 2 video jacks:

- 1 Plug an RCA video cable into a standard video source and into the **AV IN 1** video (yellow) jack on the back of your TV or the **AV IN 2** video (yellow) jack on the side of your TV.
- 2 Plug the RCA audio cables into the video device's audio output jack and into the **AV IN 1 AUDIO L** (white) and **AUDIO R** (red) jacks on the back of your TV or the **AV IN 2 AUDIO L** (white) and **AUDIO R** (red) jacks on the side of your TV.
- 3 Turn on your TV.
- 4 Press **INPUT**, press < or > to select **AV1** or **AV2**, then press **ENTER** to confirm.

Connecting external equipment using S-Video (better—analogue)



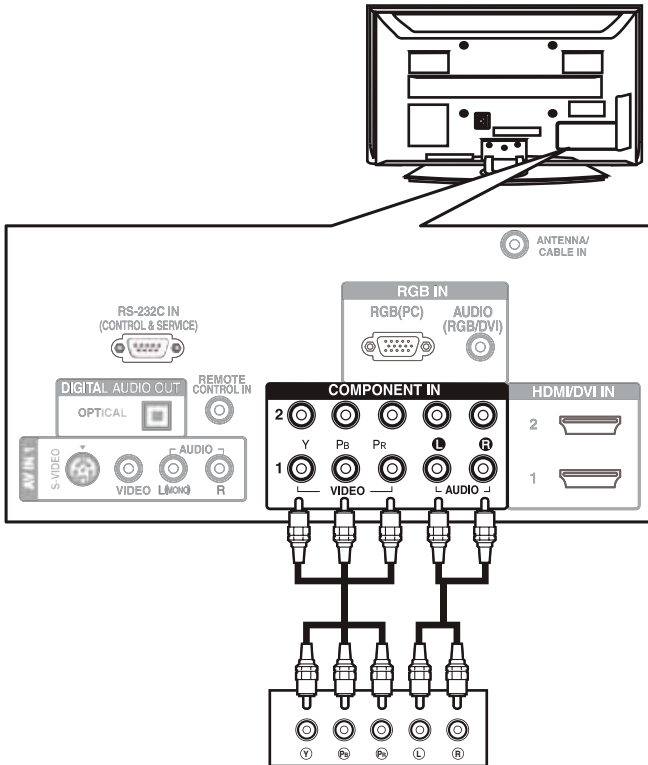
To connect a standard S-Video device to the AV IN 1 S-Video jack:

- 1 Plug an S-Video cable into the S-Video out jack on an S-Video device and into the **AV IN 1 S-VIDEO** jack on the back of your TV.
- 2 Plug RCA audio cables into the S-Video device's audio output jacks and into the **AUDIO L** (white) and **AUDIO R** (red) jacks on the back of your TV.
- 3 Turn on your TV.
- 4 Press **INPUT**, press < or > to select **AV1**, then press **ENTER** to confirm.

Connecting external equipment using component video (best—analog)

Note
You can also connect the output from a digital set-top box to the **COMPONENT IN** jacks.

This connection can be used to connect HD equipment, such as a digital set-top box or DVD player, to your TV.



To connect an HDTV video source to the COMPONENT IN jacks:

- 1 Plug component video cables into the HDTV video device or set-top box and into the **COMPONENT IN 1** or **2** (Y/Pb/Pr) jacks on the back of your TV.

Match the color of the cable connectors with the jacks: Y=green, Pb/Cb/B-Y=blue, and Pr/Cr/R-Y=red).

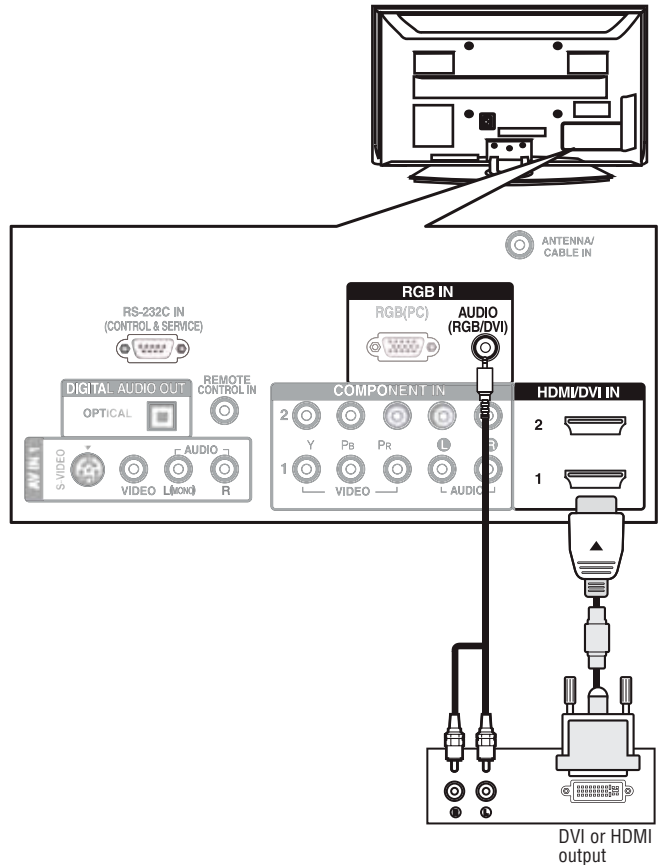
- 2 Plug RCA audio cables from the audio out jacks on the HDTV video device and into the **COMPONENT IN 1** or **2** **AUDIO L** and **R** jacks on the back of your TV (match the color of the cable connectors with the jacks: L=white and R=red).
- 3 Turn on your TV and the external signal source.
- 4 Press **INPUT**, press < or > to select **Component 1** or **Component 2**, then press **ENTER** to confirm.

Supported resolutions:

Signal	Component	HDMI
480i	Yes	No
480p	Yes	Yes
720p	Yes	Yes
1080i	Yes	Yes
1080p	Yes	Yes

Connecting external equipment using HDMI or DVI (digital)

This connection can be used to connect a digital video source, such as a PC, digital-capable DVD, or digital set-top box, to your TV.



To connect a digital video source to the HDMI/DVI jacks:

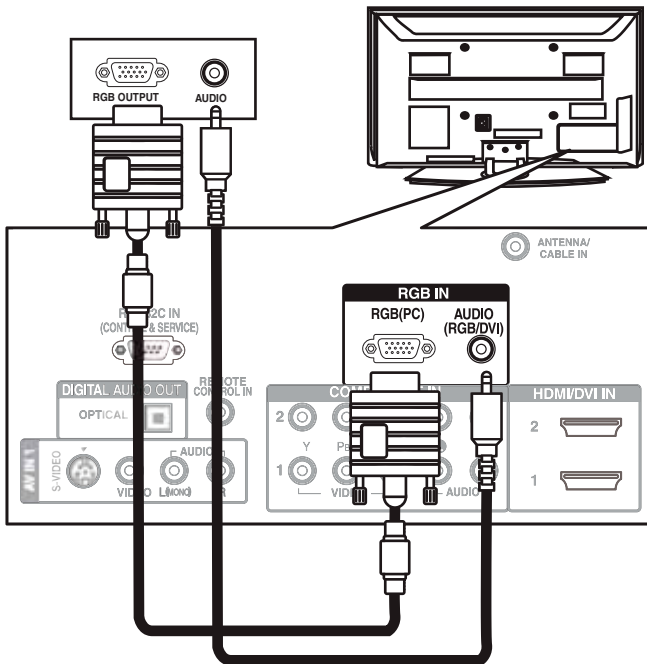
- 1 Plug an HDMI or DVI-to-HDMI cable into the HDMI or DVI output jack on your digital video source.
- 2 Plug the HDMI or DVI-to-HDMI cable into one of the **HDMI IN** jacks on your TV.

If you are using a DVI cable, plug the DVI connector into a DVI-to-HDMI adapter, then plug the HDMI connector into one of the **HDMI IN** jacks on your TV.

- 3 Turn on your TV and the appropriate external signal source.
- 4 Press **INPUT**, press < or > to select **HDMI1**, **HDMI2**, or **HDMI3**, then press **ENTER** to confirm.

Connecting a PC to your TV

For information on connecting a PC to your TV with an HDMI or DVI cable, see "Connecting external equipment using HDMI or DVI (digital)" on Page 11.

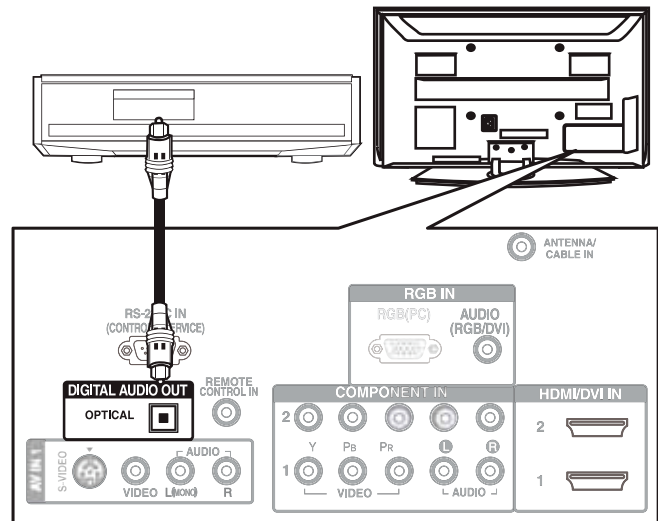


To connect a PC to your TV with the RGB(PC) jack:

- 1 Plug a VGA (D-sub 15-pin) cable into the VGA (RGB) output jack on your PC.
- 2 Plug the other end of the VGA cable into the **RGB(PC)** jack on the back of your TV.
- 3 Connect the PC audio output from your PC's audio out jack to the **AUDIO(RGB/DVI)** jack on the back of your TV.
- 4 Turn on your TV and the PC.
- 5 Press **INPUT**, press **<** or **>** to select **RGB-PC**, then press **ENTER** to confirm.

Connecting to an external digital audio device

You can connect your TV's audio to a digital amplifier or home theater system.



To connect to an amplifier or home theater system equipped with a digital audio input:

- 1 Remove the port cover from the back of your TV.
- 2 Plug a digital optical cable into the amplifier and into the **DIGITAL AUDIO OUT** (optical) jack on the back of your TV.

Warning

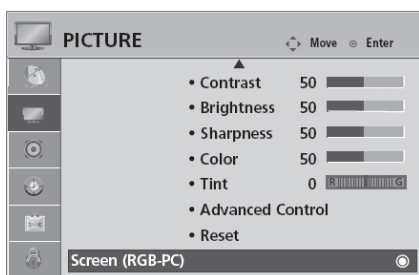
Do not look into the optical output port. Looking at the laser beam may damage your vision.

- 3 Turn off the TV speakers in the **AUDIO** menu (see "Controlling the sound and language" on page 24).

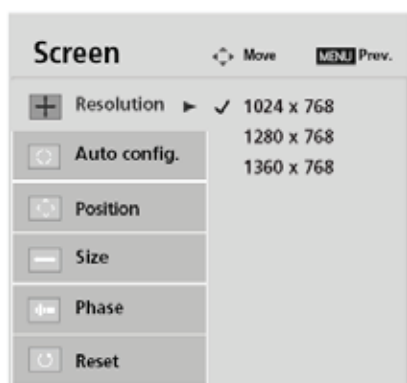
Setting up your TV for a PC video source

To select the screen resolution:

- 1 Press **MENU**, then press **^** or **v** to select **PICTURE**.
- 2 Press **ENTER**. The **PICTURE** menu opens.



- 3 Press **^** or **v** to select **SCREEN (RGB-PC)**, then press **ENTER**. The **SCREEN** menu opens.

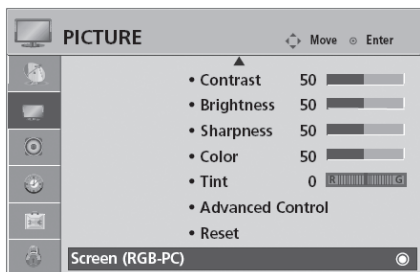


- 4 Press **^** or **v** to select **Resolution**, then press **ENTER**.
- 5 Press **^** or **v** to select the resolution you want, then press **ENTER**.

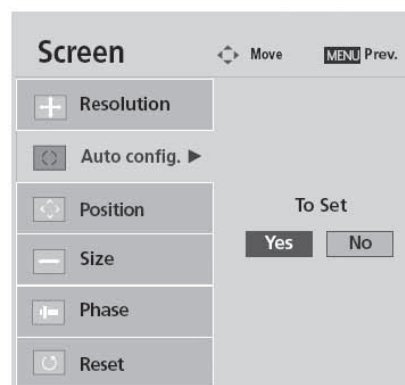
You can also adjust the position, phase, and size, or resetting the settings.

To use Auto Configure to adjust picture position and minimize instability:

- 1 Press **MENU**, then press **^** or **v** to select **PICTURE**.
- 2 Press **ENTER**. The **PICTURE** menu opens.



- 3 Press **^** or **v** to select **SCREEN (RGB-PC)**, then press **ENTER**. The **SCREEN** menu opens.

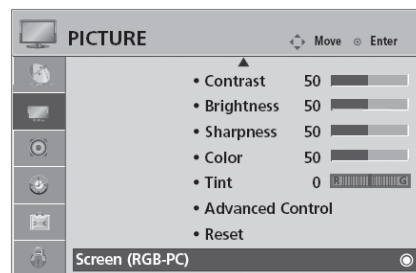


- 4 Press **^** or **v** to select **Auto config.**, then press **ENTER**.
- 5 Press **<** or **>** to select **YES**, then press **ENTER**. Auto configuration begins.

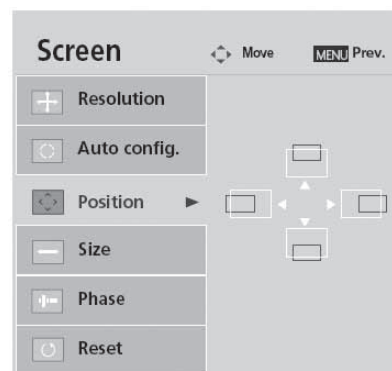
If the position of the image is still not correct, try Auto configuration again. If that does not work, you can manually adjust the position, size, or phase. This feature only works in RGB-PC mode.

To adjust the position, size or phase:

- 1 Press **MENU**, then press **^** or **v** to select **PICTURE**.
- 2 Press **ENTER**. The **PICTURE** menu opens.



- 3 Press **^** or **v** to select **SCREEN (RGB-PC)**, then press **ENTER**. The **SCREEN** menu opens.

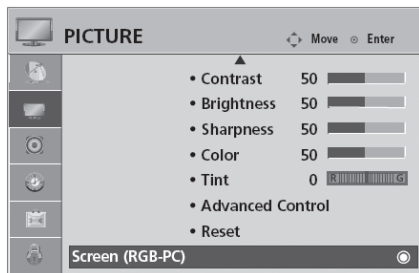


- 4 Press **^** or **v** to select the following:
 - **Position**—Use this to adjust the picture left/right and up/down.
 - **Size**—Use this to minimize any vertical bars or stripes visible on the screen background. The horizontal screen size also changes. The size adjustment range is -30 ~ 30.

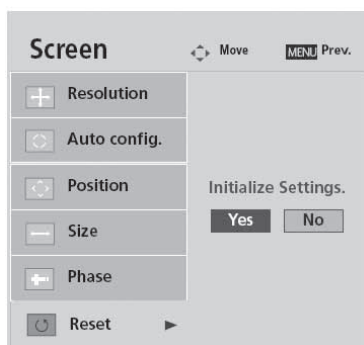
- **Phase**—Use this to remove any horizontal noise and clear or sharpen the image. The phase adjustment range is -32 ~ 31.
- 5 Press **ENTER**.
 - 6 Press **<** or **>** or **^** or **v** to make the adjustment you want, then press **ENTER**.
 - 7 Repeat Steps 4 and 5 with the other settings until the picture is correct, then press **ENTER**.

To reset the screen to factory settings:

- 1 Press **MENU**, then press **^** or **v** to select **PICTURE**.
- 2 Press **ENTER**. The *PICTURE* menu opens.



- 3 Press **^** or **v** to select **SCREEN (RGB-PC)**, then press **ENTER**. The *SCREEN* menu opens.



- 4 Press **^** or **v** to select **Reset**, then press **ENTER**.
- 5 Press **<** or **>** to select **YES**, then press **ENTER**. The position, size, and phase adjustments return to factory settings. This feature only works in RGB-PC mode.

Using your TV

Turning the TV on and off

To turn your TV on and off:

- 1 Press **POWER** **⏻**, **INPUT, CH** **▲** or **▼** on the front of your TV, or **POWER** **⏻**, **INPUT, CH** **^** or **v**, or a number button (0~9) on the remote control. The **POWER/STANDBY** indicator turns **blue** and your TV turns on.
- 2 To turn off your TV, press **POWER** **⏻**. The TV goes to Standby mode and the **Power/Standby** indicator turns **red**.

Note
If you are going to be away for an extended time, disconnect the power cord from the power outlet.

Changing channels

To change channels:

- Press **CH** **▲** or **▼** on the front of your TV or **CH** **^** or **CH** **v** on the remote control.

To enter a channel number directly:

- Press the number buttons on the remote control.
In digital TV mode, a main (major) channel can have one or more sub (minor) channels. Press the number buttons to enter the main channel, press the **•** button (to the left of the 0 button), then press the number button for the sub-channel. For example, if you want to watch channel 5.2, press **5**, press the **•** button, then press **2**.

To go to the previous channel:

- Press **RETURN**.

Adjusting the volume

You can adjust the volume using the controls on your TV's side panel or the remote control.

To adjust the volume:

- 1 Press **VOL+** or **VOL-** to increase or decrease the volume.
- 2 Press **MUTE** to mute the sound. To restore the sound, press this button again, or the **VOL+** or **VOL-**.

Using the Q.Menu (Quick Menu)

The Q.Menu (quick menu) is a menu of features which you use frequently.

Your TV's OSD (on-screen display) may differ slightly from what is shown in this guide.

To use the Q.Menu:

- 1 Press **Q.MENU** on the remote control. The *Q.Menu* opens.



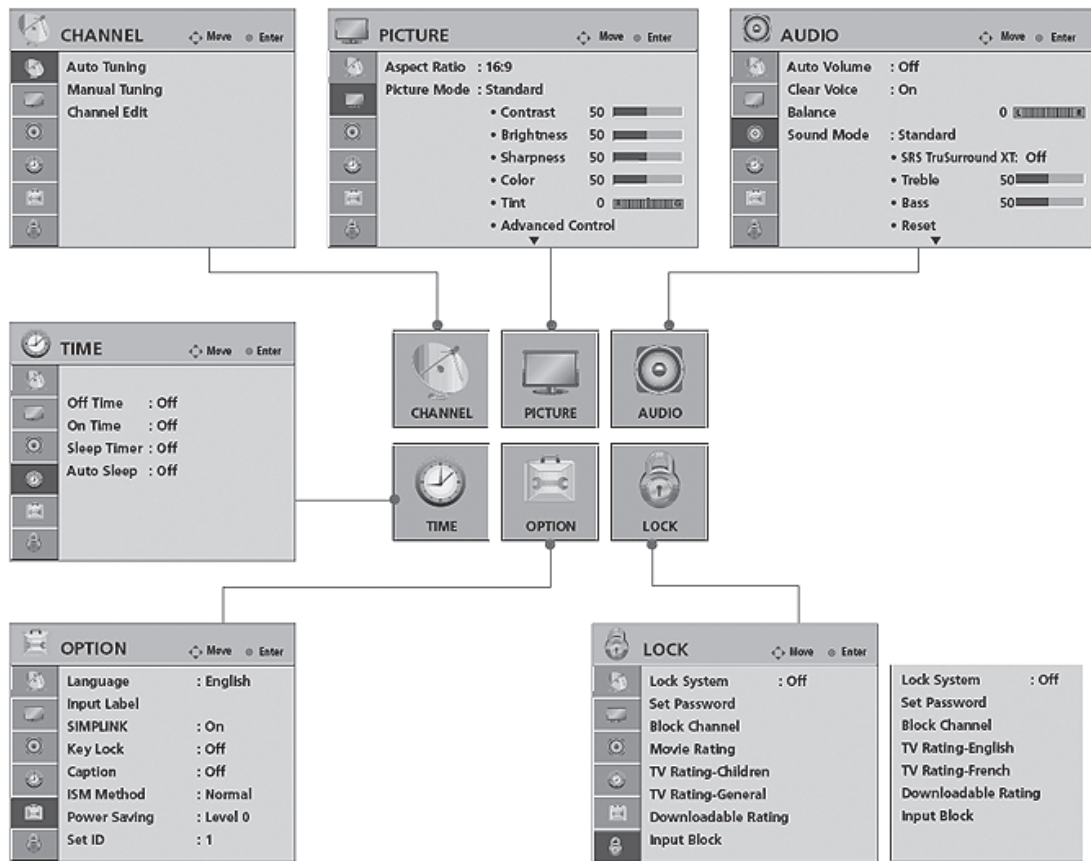
- 2 Press **^** or **v** to select a menu item to adjust. Choices include:
 - **Aspect Ratio**—Selects the picture format you want.
 - **Power Saving**—Adjusts screen brightness to conserve power.
 - **Clear Voice**—By differentiating the human sound range from others, it helps make human voices sound better.

- **Picture Mode**—Selects the factory preset picture setting based on your viewing environment.
 - **Sound Mode**—Selects a factory preset sound setting for type of program you are watching.
 - **Caption**—Turns Closed Captioning **On** or **Off**.
 - **Multi Audio**—Changes the audio language (digital signal).
 - **SAP**—Selects MTS sound (analog signal).
 - **Sleep Timer**—Selects the amount of time before your TV turns off automatically.
 - **Del/Add/Fav**—Selects the channel you want to add or delete, or adds the channel to your Favorite List.
- 3** Press < or > to change the setting or make adjustments.
- 4** Press **Q.MENU** to resume normal viewing.

Using the on-screen menus

Your TV's OSD (On-screen display) may differ slightly from that shown in this manual.

Use your remote control to navigate in the on-screen menus.



To use the on-screen menus:

- 1 Press **MENU** to display the on-screen menu. The initial on-screen menu opens.
- 2 Press **^** or **v** or **<** or **>** to select the menu you want, then press **ENTER** to enter the menu.
- 3 Press **^** or **v** to go to the menu item you want, then press **ENTER**. The sub-menu for that item opens.
- 4 Press **^** or **v** to select the setting you want.
- 5 Press **RETURN** to return to the previous menu, or press **MENU** to return to normal viewing.

Memorizing and setting up channels

To select channels with the **CH** buttons, your TV first needs to memorize the channels. When your TV memorizes channels automatically, it scans for channels with signals, then stores the channel information into memory. Channels can also be added to or deleted from memory manually.

Automatically memorizing channels

To automatically memorize channels:

- 1 Press **MENU** on the remote control, then press **^** or **v** or **<** or **>** to select **CHANNEL**. The **CHANNEL** menu opens.



- 2 Press **ENTER** to enter the **CHANNEL** menu.

- 3 Press **^** or **v** to select **Auto Tuning**, then press **ENTER**. The *Auto Tune* sub-menu opens.

Note

If the lock system is turned on, a password is required to gain access to the Auto Tuning menu. See "Enabling the lock system" on page 35.



- 4 Press **^** or **v** to select **Yes**, then press **ENTER**. Your TV scans for and memorizes all the channels available in your area.
- 5 Press **RETURN** to return to the previous menu, or press **MENU** to return to normal viewing.

Manually adding or deleting channels

To manually add or delete channels:

- 1 Press **MENU** on the remote control, then press **^** or **v** or **<** or **>** to select **CHANNEL**. The *CHANNEL* menu opens.



- 2 Press **ENTER** to enter the *CHANNEL* menu.

- 3 Press **^** or **v** to select **Manual Tuning**, then press **ENTER**. The *Manual Tune* sub-menu opens.

Note

If the lock system is turned on, a password is required to gain access to the Manual Tuning menu. See "Enabling the lock system" on page 35.



- 4 Press **^** or **v** to select the signal source for the TV channels, then press **v** to enter the menu. Choices include **DTV**, **TV**, **CADTV**, and **CATV**.

Note

If you select DTV or CADTV, an on-screen signal strength monitor is displayed so you can see the quality of the signal being received.

- 5 Press **^** or **v** to select the channel you want to add or delete.
- 6 Press **v** to select **Add** or **Delete**, then press **ENTER** to confirm.
- 7 Press **RETURN** to return to the previous menu, or press **MENU** to return to normal viewing.

Editing the channel lists

You can create two types of channel lists in memory, based on the default channel list created from the Auto Tuning channel search. These channel lists are the Custom List and Favorite Channel List.

A Custom List can be created by toggling each channel on or off. The channels in the Custom List are displayed in black, and the channels deleted from the Custom List are displayed in gray.

After a channel is highlighted, you can add or delete the channel by referring to the small window at the top right corner of the screen.

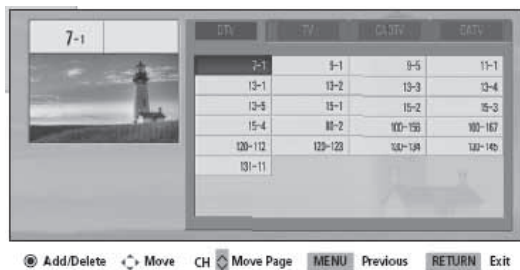
Reviewers: Please explain. Can the user name the Custom List? If the user toggles the channel on or off with the ENTER button, what does the small window at the top right corner have to do with the process? How does the user add or delete channels from the Favorite Channels List?

To edit the channel lists:

- 1 Press **MENU** on the remote control, then press **^** or **∨** or **<** or **>** to select **CHANNEL**. The *CHANNEL* menu opens.



- 2 Press **ENTER** to enter the *CHANNEL* menu.
- 3 Press **^** or **∨** to select **Channel Edit**, then press **ENTER**. The *Channel Edit* sub-menu opens.



- 4 Press **^** or **∨** or **<** or **>** to select a channel to add or delete it from the list.
- 5 Press **ENTER** to toggle the channel **On** or **Off**.
- 6 Press **RETURN** to return to the previous menu, or press **MENU** to return to normal viewing.

Selecting the input source for your TV

To select the input source:

- 1 Press **INPUT** or **Q.MENU** on the remote control. The *INPUT* menu opens.

Note to reviewers: Page 39 indicates that the user can use the Q.MENU to select the input source, but Input is not on the Q.MENU. Which is correct?



- 2 Press **<** or **>** to cycle through the available inputs. Input sources which are not available (connected) are grayed out. Choices include **TV**, **AV1**, **AV2**, **Component1**, **Component2**, **RGB(PC)**, **HDMI1**, **HDMI2**, and **HDMI3**.

To change the input label, see "Changing the input label" on page 19.

- 3 Press **ENTER** to confirm your choice.

Note to reviewers: Page 38 of the source document indicates that the user needs to press ENTER to select the input source, but page 39 does not. Which is correct?

- 4 Highlight **EXIT** and press **ENTER** to close the menu.

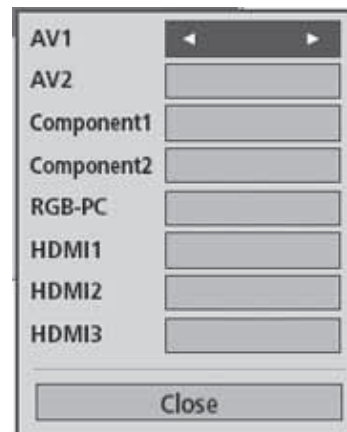
Changing the input label

To change the input label:

- 1 Press **MENU** on the remote control, then press **^** or **∨** or **<** or **>** to select **OPTION**. The *OPTION* menu opens.



- 2 Press **ENTER** to enter the *OPTION* menu.
- 3 Press **^** or **∨** to select **Input Label**. The *Input Label* sub-menu opens.



- 4 Press **ENTER** to enter the sub-menu, then press **^** or **∨** to select the source for which you want to change the label.
- 5 Press **<** or **>** to select the label you want.
- 6 Press **RETURN** to return to the previous menu, or press **MENU** to return to normal viewing.

Setting the AV mode

You can choose from three preset picture/sound modes to enhance your TV viewing.




To set the AV mode:

- 1 Press **AV MODE** on the remote control to cycle through the available preset picture/sound modes. Choices include **Cinema**, **Sport**, and **Game**.

These choices are presets for both the Picture mode and the Audio mode.

- 2 Press **RETURN** to return to the previous menu, or press **MENU** to return to normal viewing.

Using Simplink to control other AV devices

This function operates only with devices with the  logo. If connected to other brands of devices with the  logo, it may not work.  lets you control and play other AV devices connected with HDMI cable (only), without additional cables and settings.

When Simplink is turned on, you can control the following:

- **Direct Play**—After connecting AV devices to the TV, you can directly control the devices and play media without additional settings.
- **Select an AV device**—Enables you to select one of the AV devices connected to your TV.
- **Disc playback**—Control connected AV devices by pressing **^**, **v**, **<** or **>**, **ENTER**, **▶**, **■**, **||**, **◀◀**, and **▶▶**.
- **Power off all devices**—When you turn off the TV, all connected devices are turned off.
- **Switch audio-out**—Offers an easy way to change audio-out.
- **Sync Power on**—When you play the connected AV device, TV automatically turns on.

Notes

- To operate Simplink, use an HDMI cable above Version 1.2 with CEC (Consumer Electronics Control).
- When you select a device with home theater functionality, the sound output automatically switches to the home theater speakers.
- If a connected SIMPLINK home theater system does not play the audio from the TV, connect the **DIGITAL AUDIO OUT** jack on the back of the TV to the **DIGITAL AUDIO IN** terminal on the back of the Simplink device with an optical cable.

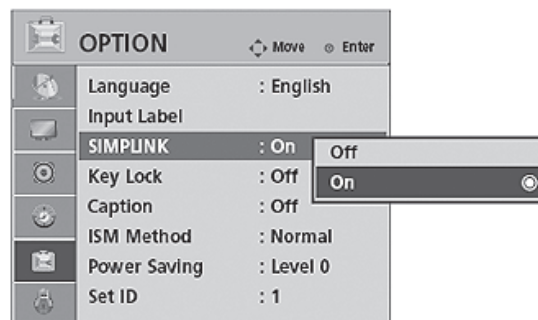
To turn Simplink on or off:

- 1 Press **MENU** on the remote control, then press **^** or **v** or **<** or **>** to select **OPTION**. The **OPTION** menu opens.



- 2 Press **ENTER** to enter the **OPTION** menu.

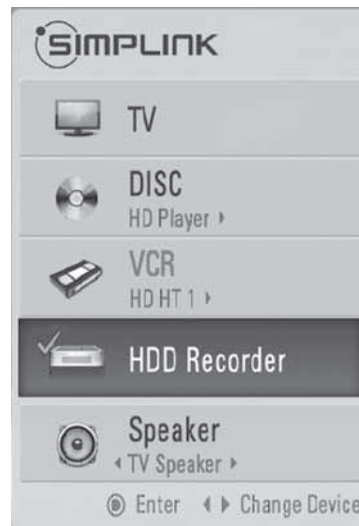
- 3 Press **^** or **v** to select **Simplink**. The **Simplink** sub-menu opens.



- 4 Press **ENTER** to enter the sub-menu, then press **^** or **v** to select **On** or **Off**.
- 5 Press **RETURN** to return to the previous menu, or press **MENU** to return to normal viewing.

To select a Simplink device:

- 1 Press **SIMPLINK** on the remote control. The **SIMPLINK** menu opens.



- 2 Press **^** or **v** or **<** or **>** to highlight the device on the menu that you want to control, then press **ENTER**.
Devices which are not connected are grayed out.
- 3 Use the various buttons on the remote control to control the device.

Adjusting picture settings

Setting the picture size (aspect ratio)

This feature lets you choose the way an analog picture with a 4:3 aspect ratio is displayed on your TV.

The RGB-PC input source uses 4:3 or 16:9 aspect ratio.

Caution

If a fixed image is displayed on the screen for an extended period of time, the image could become imprinted on the screen and remain visible.

This phenomenon is common to all manufacturers and is not covered by warranty.

After watching video that does not fill the screen, an after-image from the black bars normally dissipates after a few minutes.

Choices include:

- **Set by program**—Selects the correct picture proportion to match the source's image.
- **4:3**—Choose this when you want to view a picture with the original 4:3 aspect ratio.
- **16:9**—Adjusts the picture horizontally to fill the entire screen.
- **Zoom 1**—Choose this when you want to view the picture without any alteration. However, the top and bottom portions of the picture are cropped.
- **Zoom 2**—Choose this when you want the picture to be altered, both vertically extended and cropped.
- **Just Scan**—Provides the best picture quality without loss of original picture in high-resolution image. Just Scan only works with the following input sources:
 - TV
 - CADTV
 - Component
 - HDMI-DTV
 - DVI-DTV (720p/1080i/1080p)

To directly select the aspect ratio:

- 1 Press **RATIO** on the remote control repeatedly to cycle through the various aspect ratios.
- 2 When you have made your selection, press **RETURN** to resume normal viewing.

To select the aspect ratio from the Q.MENU:

- 1 Press **Q.MENU** on the remote control. The **Q.MENU** opens.



- 2 Press **^** or **v** to select **Aspect Ratio**, then press **<** or **>** to cycle through the various aspect ratios.
- 3 Press **^** or **v** to select **Close**, then press **ENTER** to return to normal viewing.

Selecting preset picture settings

To directly select the preset picture settings:

- 1 Press **PICTURE** on the remote control repeatedly to cycle through the various presets. Choices include **Vivid**, **Standard**, **Cinema**, **Sport**, **Game**, **Expert1**, and **Expert2**.
- 2 When you have made your selection, press **RETURN** to resume normal viewing.

To select the aspect ratio from the Q.MENU:

- 1 Press **Q.MENU** on the remote control. The **Q.MENU** opens.



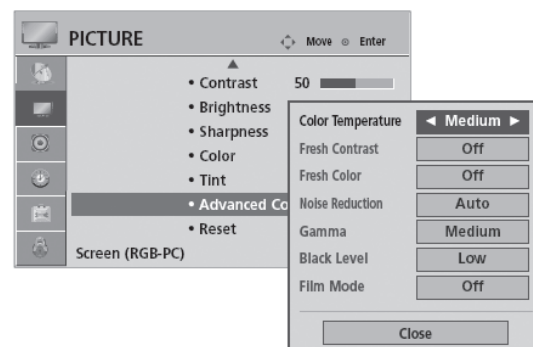
- 2 Press **^** or **v** to select **Picture Mode**, then press **<** or **>** to cycle through the various presets. Choices include **Vivid**, **Standard**, **Cinema**, **Sport**, **Game**, **Expert1**, and **Expert2**.
- 3 Press **^** or **v** to select **Close**, then press **ENTER** to return to normal viewing.

Selecting preset color settings

You can choose one of three preset color adjustments.

To set the color temperature:

- 1 Press **MENU** on the remote control, then press **^** or **v** or **<** or **>** to select **PICTURE**. The **PICTURE** menu opens.



- 2 Press **ENTER** to enter the **PICTURE** menu.
- 3 Press **^** or **v** to select **Picture Mode**, then press **ENTER**.