



OWNER'S MANUAL

# HIGH POWER SPEAKER SYSTEM

---

Please read this manual carefully before operating your set and retain it for future reference.

MODEL

RM2

## Safety Information



**CAUTION:** TO REDUCE THE RISK OF ELECTRIC SHOCK DO NOT REMOVE COVER (OR BACK) NO USER-SERVICEABLE PARTS INSIDE REFER SERVICING TO QUALIFIED SERVICE PERSONNEL.



This lightning flash with arrowhead symbol within an equilateral triangle is intended to alert the user to the presence of uninsulated dangerous voltage within the product's enclosure that may be of sufficient magnitude to constitute a risk of electric shock to persons.



The exclamation point within an equilateral triangle is intended to alert the user to the presence of important operating and maintenance (servicing) instructions in the literature accompanying the product.

**WARNING:** TO PREVENT FIRE OR ELECTRIC SHOCK HAZARD, DO NOT EXPOSE THIS PRODUCT TO RAIN OR MOISTURE.

**CAUTION:** The apparatus should not be exposed to water (dripping or splashing) and no objects filled with liquids, such as vases, should be placed on the apparatus.

**WARNING:** Do not install this equipment in a confined space such as a book case or similar unit.

**CAUTION:** Do not use high voltage products around this product. (ex. Electrical swatter) This product may malfunction due to electrical shock.

**CAUTION:** No naked flame sources, such as lighted candles, should be placed on the apparatus.

**Caution:** The user is cautioned that changes or modifications not expressly approved by the party responsible for compliance could void the user's authority to operate the equipment. This device complies with Part 15 of the FCC Rules. Operation is subject to the following two conditions: (1) this device may not cause harmful interference, and (2) this device must accept any interference received, including interference that may cause undesired operation.

**CAUTION:** Do not block any ventilation openings. Install in accordance with the manufacturer's instructions.

Slots and openings in the cabinet are provided for ventilation and to ensure reliable operation of the product and to protect it from over heating. The openings shall be never be blocked by placing the product on a bed, sofa, rug or other similar surface. This product should not be placed in a built-in installation such as a bookcase or rack unless proper ventilation is provided or the manufacturer's instruction has been adhered to.

**NOTICE:** For safety marking information including product identification and supply ratings, please refer to the main label on the bottom or the other surface of the product.

**NOTE:** This equipment has been tested and found to comply with the limits for a Class B digital device, pursuant to Part 15 of the FCC Rules. These limits are designed to provide reasonable protection against harmful interference in a residential installation. This equipment generates, uses and can radiate radio frequency energy and, if not installed and used in accordance with the instructions, may cause harmful interference to radio communications. However, there is no guarantee that interference will not occur in a particular installation.

If this equipment does cause harmful interference to radio or television reception, which can be determined by turning the equipment off and on, the user is encouraged to try to correct the interference by one or more of the following measures:

- Reorient or relocate the receiving antenna.
- Increase the separation between the equipment and receiver.
- Connect the equipment into an outlet on a circuit different from that to which the receiver is connected.
- Consult the dealer or an experienced radio/TV technician for help.

FCC Radiation Exposure Statement (for 15.247)

This equipment complies with FCC radiation exposure limits set forth for an uncontrolled environment.

This transmitter must not be co-located or operating in conjunction with any other antenna or transmitter.

**CAUTION concerning the Power Cord**

The Power Plug is the disconnecting device. In case of an emergency, the Power Plug must remain readily accessible.

Check the specification page of this owner's manual to be certain of the current requirements.

Do not overload wall outlets. Overloaded wall outlets, loose or damaged wall outlets, extension cords, frayed power cords, or damaged or cracked wire insulation are dangerous. Any of these conditions could result in electric shock or fire. Periodically examine the cord of your device, and if its appearance indicates damage or deterioration, unplug it, discontinue use of the device, and have the cord replaced with an exact replacement part by an authorized service center. Protect the power cord from physical or mechanical abuse, such as being twisted, kinked, pinched, closed in a door, or walked upon. Pay particular attention to plugs, wall outlets, and the point where the cord exits the device.

**Symbols**

~	Refers to alternating current (AC).
≡	Refers to direct current (DC).
⊞	Refers to class II equipment.
⏻	Refers to stand-by.
I	Refers to "ON" (power).
⚡	Refers to dangerous voltage.

## Table of Contents

### 1 Getting Started

---

- 2 Safety Information
- 6 Unique Features
- 6 Playable file Requirement
  - 6 – Music file requirement
  - 6 – Compatible USB Devices / SD cards
  - 6 – USB device / SD card requirement
- 7 Rear panel
- 8 Carrying the unit

### 2 Connecting

---

- 9 Use of Tripod
- 11 AC Power Cord Connection
- 12 Optional Equipment Connection
  - 12 – LINE IN Connection
  - 12 – LINE OUT Connection
- 13 – USB Connection
- 13 – SD card Connection

### 3 Operating

---

- 14 Basic Operations
  - 14 – USB/SD Operations
- 15 Using BLUETOOTH® wireless technology
  - 15 – Listening to music stored on the Bluetooth devices
- 17 Other Operations
  - 17 – Using Microphone
  - 17 – Adjusting the ECHO volume
  - 17 – Setting the USER EQ
  - 17 – Auto power down

## **4 Troubleshooting**

---

- 18 Troubleshooting
- 18 – General

## **5 Appendix**

---

- 19 General specifications
- 20 Maintenance
- 20 – Handling the Unit
- 20 Trademarks and Licenses

1

2

3

4

5

## Unique Features

### Bluetooth®

Listens to music stored on your **Bluetooth** device.

## Playable file Requirement

### Music file requirement

MP3 file compatibility with this unit is limited as follows.

- Sampling frequency : within 32 to 44.1 kHz
- Bit rate : within 32 to 320 kbps
- Maximum files : 999
- Maximum folders : 99
- File extension : ".mp3"
- Certain MP3 files may not be played depending on the type or format of the file.

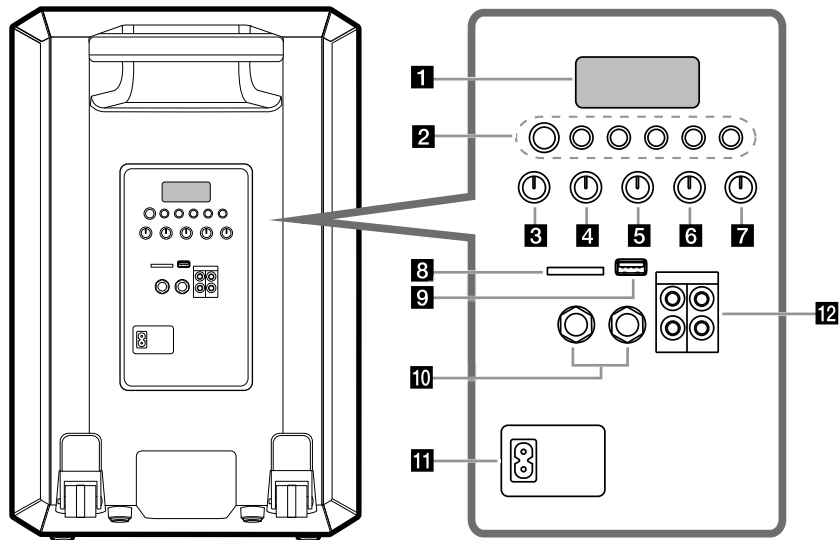
## Compatible USB Devices / SD cards

- MP3 Player : Flash type MP3 player.
- USB Flash Drive :  
Devices that support USB2.0 or USB1.1.
- SD card : SD, SDHC, SDXC
- The USB / SD function of this unit does not support all USB devices and SD cards.

## USB device / SD card requirement

- Devices which require additional program installation when you have connected it to a computer, are not supported.
- Do not extract the USB device / SD card while in operation.
- For a large capacity USB or SD card, it may take longer than a few minute to be searched.
- To prevent data loss, back up all data.
- If you use a USB extension cable or USB hub, the USB device is not recognized.
- Using NTFS file system is not supported. (FAT(16 / 32) and ExFAT file systems are supported.)
- This unit recognizes up to 999 files.
- External HDD, Card readers, Locked devices, or hard type USB devices are not supported.
- USB port of the unit cannot be connected to PC. The unit cannot be used as a storage device.
- Some USB / SD cards may not work with this unit.

## Rear panel



- 1** Display window
- 2** (Standby)  
Turns the power on or off.  
**F** (Function)  
Selects the function and input source.

Input source / Function	Display
USB*	USb
SD card*	Sd
LINE input	LInE
<b>Bluetooth</b>	bt

\*: USB and SD card function will be displayed when the device is inserted.

(Skip/Search)  
- Skips backward or forward.  
- Searches for a folder.

(Play/Pause)  
Starts or pauses playback.

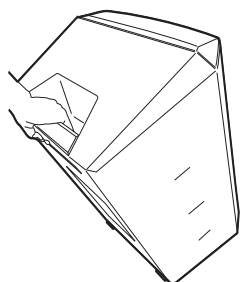
**REPEAT**  
Listens to your files repeatedly.

- 3** **MASTER VOLUME**  
Adjusts speaker volume.

- 4** **BASS**  
Adjusts BASS sound level when setting USER EQ.
- 5** **TREBLE**  
Adjusts TREBLE sound level when setting USER EQ.
- 6** **MIC (Microphone) ECHO**  
Adjusts echo volume.
- 7** **MIC (Microphone) VOLUME**  
Adjusts microphone volume.
- 8** **SD CARD** slot  
You can play sound files by connecting the SD card.
- 9** **USB Port**  
You can play sound files by connecting the USB device.
- 10** **MIC (Microphone) 1/2 Jack**
- 11** **AC IN** socket
- 12** **LINE IN / OUT**

## Carrying the unit

This unit has wheels and a handle for carrying. You can easily carry the unit.



### Caution

- Do not draw the unit on the unpaved road or the stair.
- Be careful it does not drop the unit when you carry it.
- Carry the unit, after then disconnect the connected cables.
- Do not step or sit on the unit. Otherwise this unit may fall down and causing personal injury.
- Do not place the unit on an unstable position and place the unit at a safe distance from the child's reach.
- Be careful that the unit should not fall down. Otherwise it may result in malfunction and causing personal injury and/or property damage.



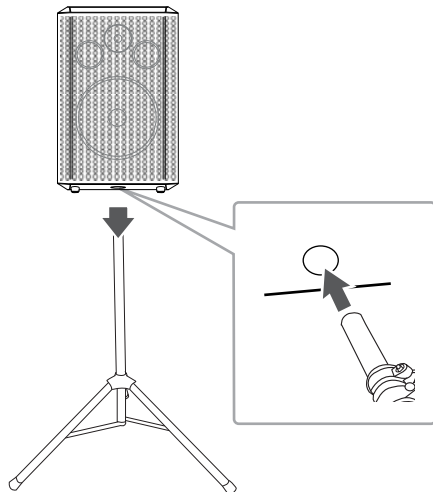
## Use of Tripod

You can mount the unit on a tripod.  
The tripod is an optional purchase.

### ! Caution

- Extend the tripod legs as much as possible and tighten up the screw securely.
- Before connecting with the unit, you must set up the tripod completely to prevent shaking.

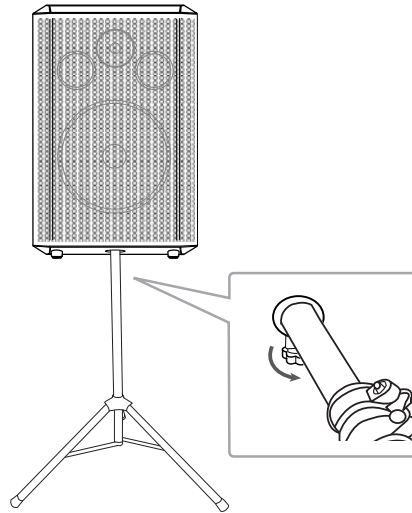
1. Unfold the tripod on a flat surface. And then fix the tripod.  
Tighten up the tightening part of the tripod.
2. Lift the speaker and connect the tripod to fixing part on the bottom of the speaker.



### ! Caution

Insert the safety pin when setting up the tripod stand.

3. Tighten up the Hand screw on the bottom of the unit.

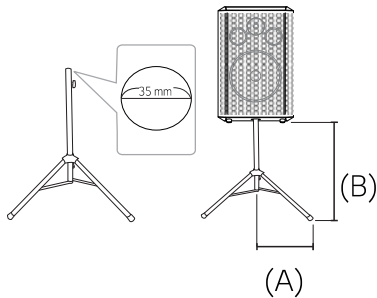


### ! Caution

Tighten up the Hand screw on the bottom of the unit while the other is holding the speaker and tripod.

**Note**

- If you use a tripod, use the tripod only for speaker.
- Before buying a tripod, check the specifications for maximum bearing load of the center column.  
(Unit's net weight : about 12 kg)



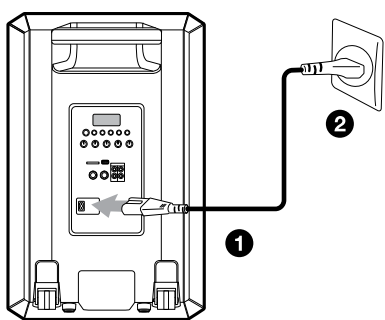
- Use tripod as below :  
(A) From tripod's center to tripod's leg : above 600 mm.  
(B) From top of tripod to bottom of tripod : below 900 mm.  
(C) Tripod net weight : over 3.9 kg
- For safe use set the tripod as low as possible.
- You should pull the center column to the maximum only in case of need.
- Mount only one unit on each tripod.
- Do not try to extend the tripod legs beyond its allowed range.
- Make sure the tripod is correctly assembled and all its components are tightly connected.
- Do not try to assemble the tripod if parts are missing or defective.
- After installation, make sure the unit is set up firmly on the tripod.
- Do not place the unit on anything unstable where it might accidentally fall over.
- Add weight such as sand bags around the tripod legs to prevent the tripod from falling over.

**Note**

- You should limit people around the unit while its on a tripod. Otherwise it may result in an accident and may cause personal injury and/or property damage.
- Standing on the stool to reach unit's control panel is risky and might lead to injuries.
- Do not put or attach other objects on the tripod.
- Do not shake or push the unit when the tripod is installed.
- Refrain from moving around the tripod after unit is installed.
- Remove all connected cables to the unit on the tripod before moving the tripod or adjusting its height.
- When transporting or moving the unit, always use two or more people.
- When you use the tripod, use an extension cord. Always be careful with the movement of the cable.
- It is prohibited to use this unit outside. (Indoor use only)
- Do not expose the unit to excessive dust, vibrations, extreme cold or heat (such as in direct sunlight or near a heater) to prevent the possible disfigurement of the panel or damage to the internal components.
- When using the external input cable (Mic, etc.) after installing the unit on the tripod, external input cable can cause the unit to fall down.
- Watch out because people can trip over the input cable (Mic, etc.) connected the unit.
- Always be careful not to trip over the unit.

## AC Power Cord Connection

1. Connect one end of the AC power cord (included) to the **AC IN** socket.
2. Plug the other end into the wall outlet.



### **Note**

Unplug the AC power cord from the wall outlet if you do not to use for an extended period of time.

2

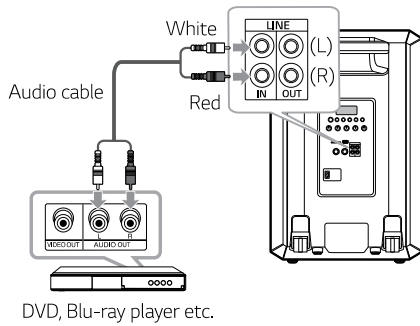
Connecting

## Optional Equipment Connection

### LINE IN Connection

Connect an output of auxiliary device (Camcorder, TV, Player, etc) to the **LINE IN** connector.

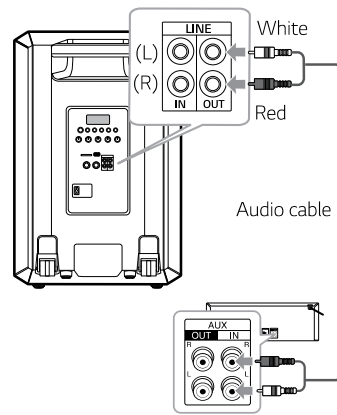
If your device has only one output for audio (mono), connect it to the left audio jack on the unit.



### LINE OUT Connection

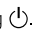
Connect an input of auxiliary device to the **LINE OUT** connector.

If your device has only one input for audio (mono), connect it to the left audio jack on the unit.



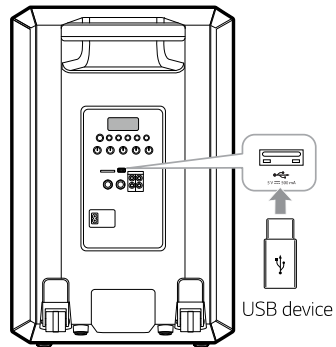
### Listening to music from your external device

The unit can be used to play the music from many types of external device.

1. Connect the external device to the **LINE IN** connector of the unit.
2. Turn the power on by pressing .
3. Press **F** to select LINE function.
4. Turn on the external device and start it playing.

## USB Connection

Connect a USB device (or MP3 player, etc.) to the USB ports on the unit.

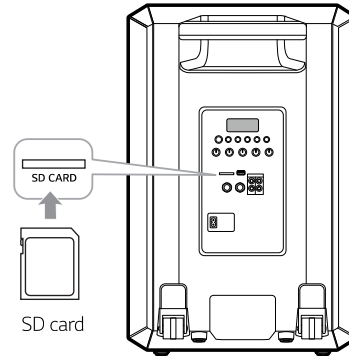


### ! Note

- Removing the USB device from the unit :
  1. Choose a different function.
  2. Remove the USB device from the unit.
- USB function will be displayed when the device is inserted.

## SD card Connection

Connect a SD card to the **SD CARD** slot on the unit.



### ! Note

- Removing the SD card from the unit:
  1. Choose a different function.
  2. Remove the SD card from the unit.
- SD card function will be displayed when the device is inserted.

## Basic Operations

### USB/SD Operations

Connect the USB device to the USB port. Or connect the SD card to the **SD CARD** slot. When you connect the USB device or SD card, the player plays an audio file contained in the USB / SD storage device automatically.

3  
Operating

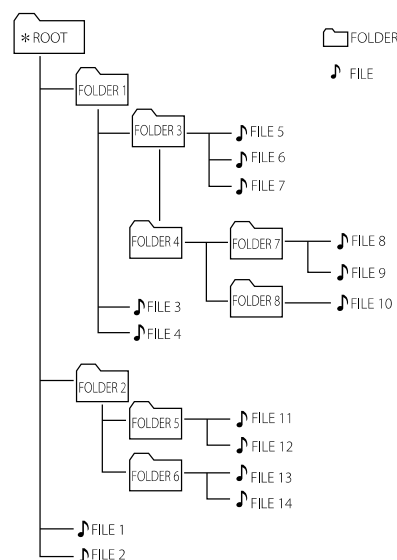
To	Do this
Playback	Press <b>▶ </b> .
Pause	Press <b>▶ </b> during playback.
Skipping to the next/ previous file	Press <b>▶▶</b> to go to the next file. Playing less than 3 seconds, Press <b>◀◀</b> to go to the previous file. Playing after 4 seconds, press <b>◀◀</b> to go to the beginning of the file.
Playing repeatedly	Press <b>REPEAT</b> repeatedly. <b>ONE &lt;-&gt; ALL</b>

#### ! Note

- Do not extract the USB device or SD card during operation. (play, etc.)
- Regular back up is recommended to prevent data loss.
- If the USB device and SD card is connected to the unit at the same time, use the unit by changing a function.
- You can search a folder by pressing and holding **◀◀/▶▶**.

#### ! Note

- Files are recognized as below.



- File will be played from **FILE No.1** to **FILE No.14** one by one.
- Files will be presented in order recorded and may be presented differently according to the record circumstances.

\*ROOT : The first screen you can see when a computer recognize the USB / SD card are "ROOT"

## Using BLUETOOTH® wireless technology

### About Bluetooth

**Bluetooth** is wireless communication technology for short range connection.

The sound may be interrupted when the connection interfered by the other electronic wave or you connect the **Bluetooth** in the other rooms.

Connecting individual devices under **Bluetooth** wireless technology does not incur any charges. A mobile phone with **Bluetooth** wireless technology can be operated via the Cascade if the connection was made via **Bluetooth** wireless technology.

- Available Devices : Smart phone, MP3, Notebook, etc.
- Version : 4.2
- Codec : SBC

### Bluetooth Profiles

In order to use **Bluetooth** wireless technology, devices must be able to interpret certain profiles. This unit is compatible with following profile.

A2DP (Advanced Audio Distribution Profile)

## Listening to music stored on the Bluetooth devices

### Pairing your unit and Bluetooth device

Before you start the pairing procedure, make sure the **Bluetooth** feature is activated on your **Bluetooth** device. Refer to your **Bluetooth** device's user guide. Once a pairing operation is performed, it does not need to be performed again.

1. Select the BT(**Bluetooth**) function by using the **F**. Appears "BT" and Bluetooth icon blink quickly in the display window.
2. Operate the **Bluetooth** device and perform the pairing operation. When searching for this unit with the **Bluetooth** device, a list of the devices found may appear in the **Bluetooth** device display depending on the type of **Bluetooth** device. Your unit appears as "LG-RM2(XX)";

#### Note

- XX means the last two digits of **Bluetooth** address. For example, if your unit has a **Bluetooth** address such as 9C:02:98:4A:F7:08, you will see "LG-RM2(08)" on your **Bluetooth** device.
- Depending on the **Bluetooth** device type, some devices have a different pairing way. For details about **Bluetooth** pairing, refer to your **Bluetooth** device manual.

3. When this unit is successfully connected with your **Bluetooth** device, "CONNECTED" appears on the display window. Then "BT" and Bluetooth icon will appear on the display window.
4. Listen to music.  
To play a music stored on your **Bluetooth** device, refer to your **Bluetooth** device's user guide.

**Note**

- When using **Bluetooth** technology, you have to make a connection between the unit and the **Bluetooth** device as close as possible and keep the distance.  
However, it may not work well in certain situations as described below :
  - There is an obstacle between the unit and the **Bluetooth** device.
  - There is a device using the same frequency with **Bluetooth** technology such as a medical equipment, a microwave or a wireless LAN device.
- You should connect your **Bluetooth** device to this unit again when you restart it.
- If **Bluetooth** connection does not work well, try pairing it again.
- To connect a new **Bluetooth** device, disconnect the currently connected **Bluetooth** device and connect a new **Bluetooth** device.

**Note**

- The sound may be interrupted when the connection has interference from other electronic devices.
- Depending on the type of the device, you may not be able to use the BT(**Bluetooth**) function.
- You can enjoy wireless system using phone, MP3, Notebook, etc.
- The more distance between the unit and the **Bluetooth** device, the lower the sound quality becomes.
- **Bluetooth** connection will be disconnected when the unit is turned off or the **Bluetooth** device gets too far from the unit.
- When **Bluetooth** connection is disconnected, connect the **Bluetooth** device to the unit again.
- When a **Bluetooth** device is not connected, Bluetooth icon on the display window blinks.
- When you use the BT(**Bluetooth**) function, adjust the volume to a proper level on the **Bluetooth** device.
- If you change the function, the **Bluetooth** device is disconnected.
- When you select the BT(**Bluetooth**) function, the unit will be connected to already paired **Bluetooth** device.

**Controls connected Bluetooth device**

You can control connected **Bluetooth** device by the unit; play, pause, skip.

**Note**

- Only Android OS and iOS is available to use this function.
- This function may not be supported depending on the **Bluetooth** device, or operated differently.



## Other Operations

### Using Microphone

1. Connect your microphone to the MIC jack.
2. Play the music you want.
3. Sing along with the accompaniment. Adjust the microphone volume by rotating **MIC VOLUME** clockwise or counterclockwise.

#### Note

- When not using the microphone, set the **MIC VOLUME** to minimum or turn off the MIC and remove the microphone from the MIC jack.
- If the microphone is set too near the speaker, a howling sound may be produced. In this case, move the microphone away from the speaker or decrease the sound level by using the **MIC VOLUME**.
- If sound through the microphone is extremely loud, it may be distorted. In this case, rotate **MIC VOLUME** to minimum.
- You can't adjust microphone's volume by using the **MASTER VOLUME**. Microphone's volume can be adjusted by **MIC VOLUME**.

### Adjusting the ECHO volume

You can give an echo effect to the sound from the microphones.

Rotate the **MIC ECHO** to increase the echo volume or decrease it.

### Setting the USER EQ

You can adjust the sound level of Bass and Treble as your preference.

Rotate **BASS** or **TREBLE** to adjust the sound level.

### Auto power down

This unit will turn itself off to save electricity in the case where the main unit is not connected to an external device and is not used for 15 minutes.

The unit will also turn itself off after six hours if the main unit has been connected to another device using the analog inputs.

### How to disconnect the wireless network connection or the wireless device.

Turn off the unit by pressing the power button for more than 5 seconds.

## Troubleshooting

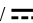
### General

Problem	Cause & Solution
The unit does not work properly.	<ul style="list-style-type: none"><li>• Turn off the power of this unit and the connected external device (TV, Woofer, DVD-player, Amplifier, etc.) and turn them on again.</li><li>• Disconnect the power cord of this unit and the connected external device (TV, Woofer, DVD-player, Amplifier, etc.) and then try connecting again.</li><li>• Previous setting may not be saved when device power is shut off.</li></ul>
No Power.	<ul style="list-style-type: none"><li>• The power cord is not plugged in. Plug in the power cord.</li><li>• Check whether electricity failed. Check the condition by operating other electronic devices using the same AC outlet.</li></ul>
No sound.	<ul style="list-style-type: none"><li>• Check whether you select right function. Press function button and check if you have selected the right function.</li></ul>

## General specifications

General	
Power requirements	Refer to the main label on the unit.
Power consumption	Refer to the main label on the unit.
	Networked standby : 0.5 W (If all network ports are activated.)
Dimensions (W x H x D)	Approx. 430 mm X 655 mm X 385 mm
Operating temperature	5 °C to 35 °C
Operating humidity	5 % to 60 % RH

Inputs	
Analog audio in (LINE IN)	0.4 Vrms (1 kHz, 0 dB), 600 $\Omega$ , RCA jack (L, R)
Analog audio out (LINE OUT)	1.0 Vrms (1 kHz, 0 dB), 600 $\Omega$ , RCA jack (L, R)
Microphone (MIC 1/2)	Sensitivity 20 mV (1 kHz), 6.3 mm jack x 2

System	
Frequency Response	80 to 20,000 Hz
Signal-to-noise ratio	More than 70 dB
Dynamic range	More than 72 dB
Bus Power Supply (USB)	5 V  500 mA

Amplifier (RMS Output power)	
Total output	80 W (3 $\Omega$ at 1 KHz, 10 % THD)

- Design and specifications are subject to change without notice.

## Maintenance

### Handling the Unit

#### When shipping the unit

Please save the original shipping carton and packing materials. If you need to ship the unit, for maximum protection, re-pack the unit as it was originally packed at the factory.

#### Keeping the exterior surfaces clean

Do not use volatile liquids such as insecticide spray near the unit. Wiping with strong pressure may damage the surface. Do not leave rubber or plastic products in contact with the unit for a long period of time.

#### Cleaning the unit

To clean the player, use a soft, dry cloth. If the surfaces are extremely dirty, use a soft cloth lightly moistened with a mild detergent solution. Do not use strong solvents such as alcohol, benzine, or thinner, as these might damage the surface of the unit.

## Trademarks and Licenses



The **Bluetooth**® word mark and logos are registered trademarks owned by the **Bluetooth SIG, Inc.** and any use of such marks by LG Electronics is under license.

Other trademarks and trade names are those of their respective owners.

