

TLVHM3IU-E

(Online Connectivity Unit)

Telematics

25, May, 2018

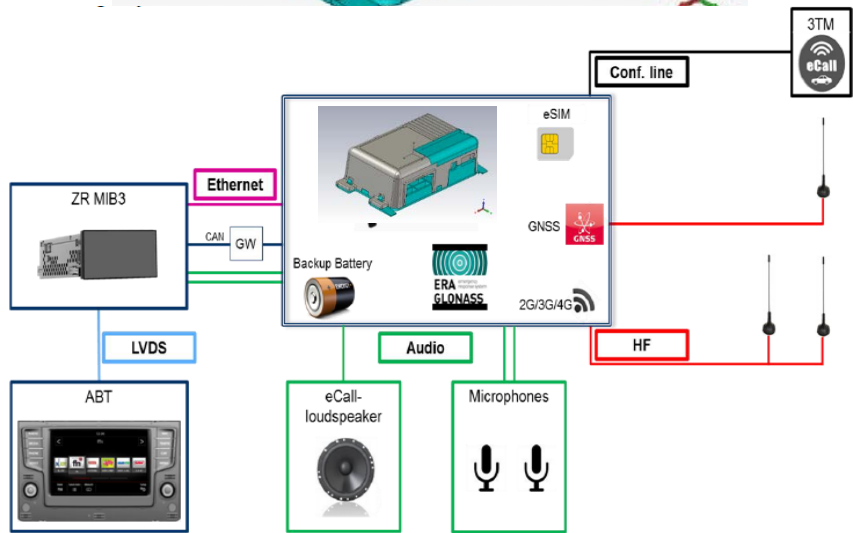
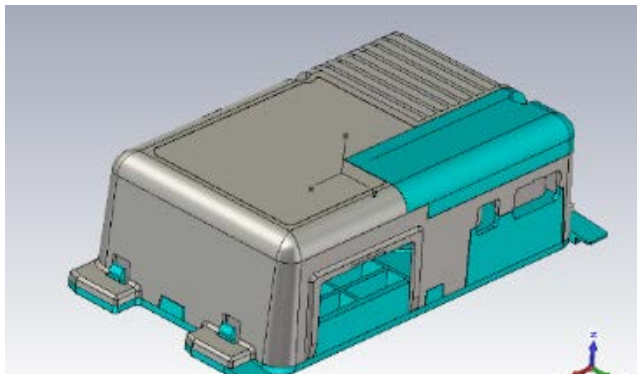
LG Electronics Inc.



What is the OCU(Online Connectivity Unit)

Product Image

Telematics product supporting Emergency Call/LTE service



Function

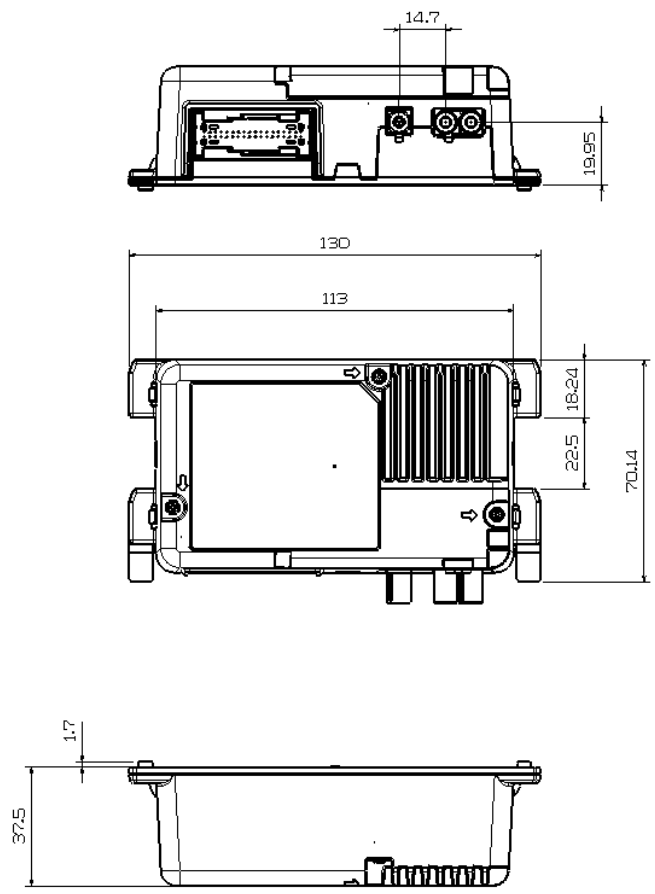
- Emergency Call
- Mobile Online Services
- Positioning/Dead Reckoning
 - GPS/GNSS/Beidou/Galileo/SBAS

Specification

Specification

Supporting Bands	GSM 900/1800 UMTS B1/B3/B8 LTE FDD B1/B3/B7/B8/B20/B28A <i>*Only LTE B7 will be supported in the United States.</i>
Modem Chip	Qualcomm MDM9240
GNSS	GPS/Glonass/Beidou/SBAS/Galileo
Bluetooth	No
WiFi	No
Size	130mm x 70.14mm x 37.5mm
Weight	300g
Power	DC 12V , 2A

Dimension



OCU3Low Hardware block diagram

Confidential

Out Mic2 In



Notice

Changes or modifications not expressly approved by the party responsible for compliance could void the user's authority to operate the equipment.

This device complies with part 15 of the FCC Rules. Operation is subject to the following two conditions: (1) This device may not cause harmful interference, and (2) this device must accept any interference received, including interference that may cause undesired operation.

NOTE: This equipment has been tested and found to comply with the limits for a Class B digital device, pursuant to part 15 of the FCC Rules. These limits are designed to provide reasonable protection against harmful interference in a residential installation. This equipment generates uses and can radiate radio frequency energy and, if not installed and used in accordance with the instructions, may cause harmful interference to radio communications. However, there is no guarantee that interference will not occur in a particular installation. If this equipment does cause harmful interference to radio or television reception, which can be determined by turning the equipment off and on, the user is encouraged to try to correct the interference by one or more of the following measures:

- Reorient or relocate the receiving antenna.
- Increase the separation between the equipment and receiver.
- Connect the equipment into an outlet on a circuit different from that to which the receiver is connected.
- Consult the dealer or an experienced radio/TV technician for help.

This device complies with FCC radiation exposure limits set forth for an uncontrolled environment. This device should be installed and operated with minimum distance 20cm between the radiating element of this device and the user.