

**\* LG Innotek REGX-XOXXA (Electronic Shelf Label Gateway)**

This is the reference manual for ESL Gateway handling.

After fully understanding this manual, use the Gateway in proper way

- ◆ Read all instructions before performing any work.
- ◆ Installation must be done completely after fully understanding [Safety Rules]
- ◆ Installer should give this Instruction to actual user after fully understanding it.
- ◆ Please, keep this manual in a handy place. When reinstalling or repairing, give this manual to new user or contractor

1. Safety Rules

- ◆ In case of mishandling, risk sign arises, Meaning of the sign is explained in below table.
- ◆ In this guide, the safety instruction levels are classified into "WARNING" and "CAUTION".

CAUTION - Indicates incorrect handling that may cause hazardous conditions, resulting in slight injury or physical damage.

WARNING - Indicates incorrect handling that may cause hazardous conditions, resulting in death or severe injury

**! CAUTION**

Only use rated voltage. (Using lower/higher voltage than rated voltage may cause fire)	Do not touch this equipment or cable with wet hands. (It may cause electrocution)
Do not install this equipment where using combustible gas leak. (It may cause fire)	Do not locate it in high humidity environment. (Condensation or Rust in the equipment cause electrocution or fire)
Do not use excessive pressure on equipment to remove. (It may cause damage to ceiling material)	When you have minor trouble, please refer to "Trouble Shooting" section first

**! WARNING**

Shut down your equipment immediately if it produces smoke, a strange odor, or unusual noise.	Keep your device away from radiators and heat sources. (It may cause fire)
--	--

Never disassemble or modify this product. (Improper work may result in injury or fire. Contact selling office for repair.)	Be sure to set this equipment on a firm, stable, horizontal ceiling. (The product could be broken or cause injury if it falls)
Do not allow foreign body to fall into the equipment. (It may cause fire or electrocution)	Installation must be done completely following this instruction to prevent fire or electrocution.
Do not Install on the insulating material (It may cause fire)	Do not connect both POE cable and DC cable to ESL Gateway (It may cause break down or fire)
Request to seller office or professional contractor for installation.	Do not cover this equipment with a newspaper, tablecloth, curtain, etc. (it may cause fire)

## 2. Installation Parts

Below parts are needed for installation. Please procure the parts before installation.

No.	Category	Description
1	LAN Cable	10BaseT Cat. 5 or 100BaseTX Cat. 5 STP (Shielded Twisted Pair) RJ-45
2	DC Adaptor (Using DC)	DC 12V / 1A or above, 3.5 $\phi$ DC Power Jack
3	POE hub (Using POE)	More 12Watts Max Port Output
4	Screw driver	

## 3. Contents of pack

- REGX-XOXXA (ESL Gateway) 1ea
- User's Manual (this manual) 1ea
- Bracket 1ea (Optional)
- Screw 2ea (Optional)

## 4. Installation (Using Spring)

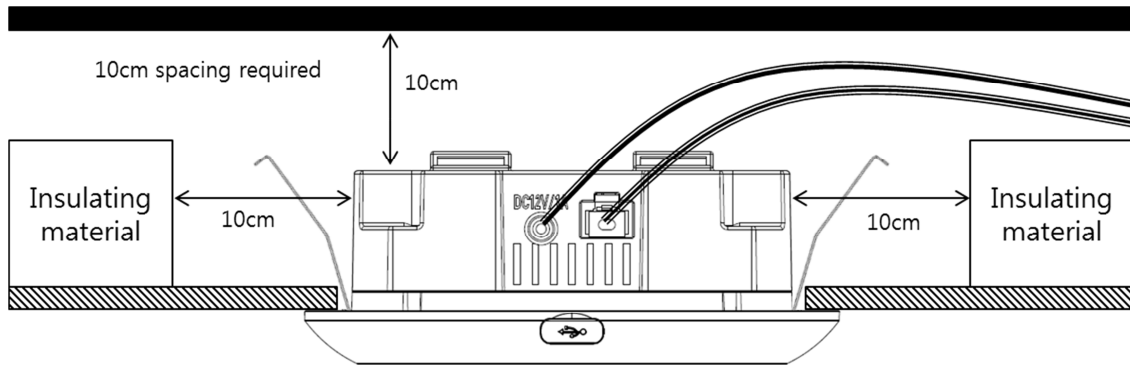
① Before Installation, Check following conditions.

- Ceiling should be able to stand weight of ESL Gateway (0.4kg)
- Fix reinforcement material to prevent ESL Gateway from moving on the ceiling.

**! WARRING** - Be sure to set this equipment on a firm, stable, horizontal ceiling.  
(The product could be broken or cause injury if it falls)

② Secure space to insert ESL Gateway into the ceiling

- Make specified space (Diameter  $\phi$ 100mm+3, -0)
- Mounting ceiling thickness : 5mm ~ 20mm

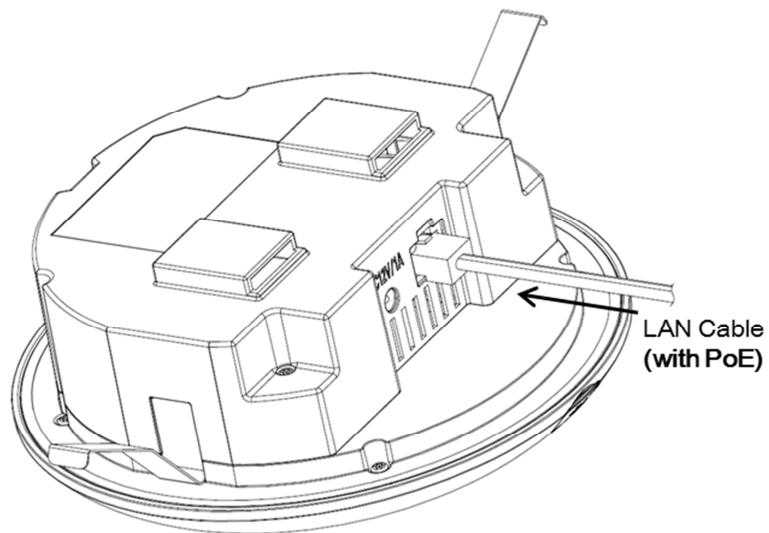


**! WARNING – Do not Install on the insulating material (It may cause fire)**

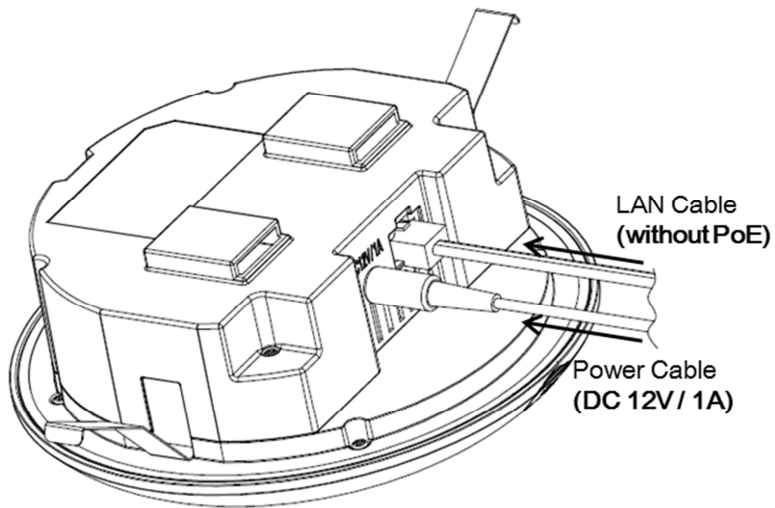
③ Connect (LAN Cable/Power Cable) Wire

There are 2 cases for powering ESL Gateway

- Case 1 : Using POE (Power Over Ethernet)

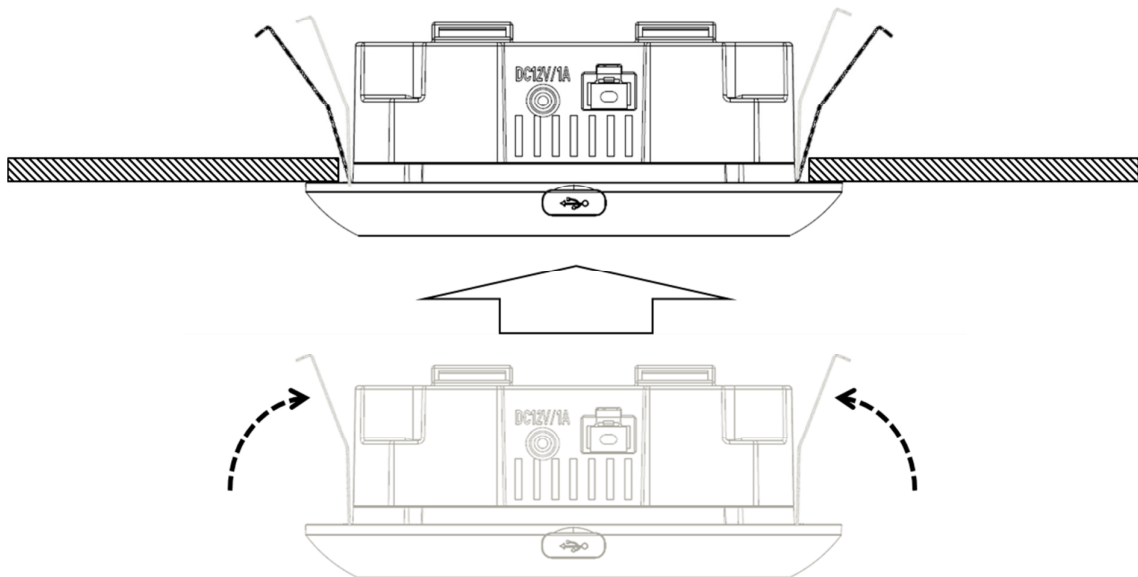


- Case 2 : Using DC Adapter



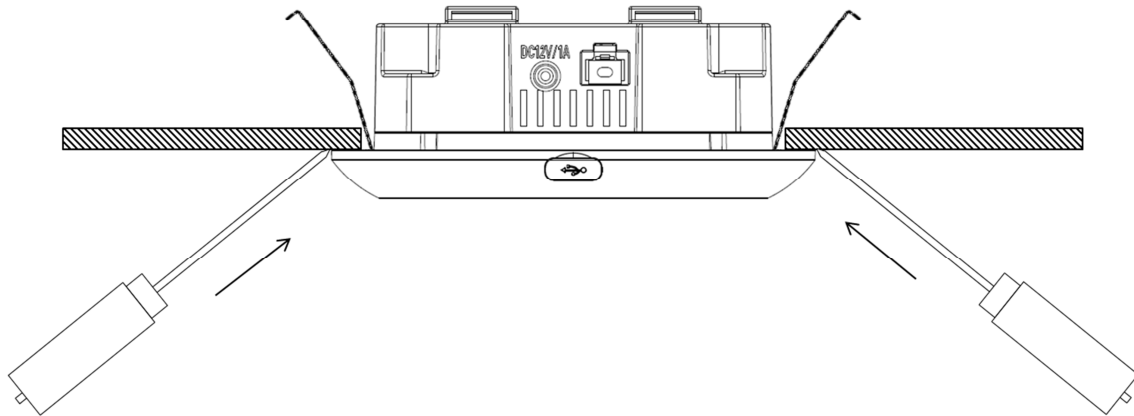
**! WARNING – Do not connect both POE cable and DC cable to ESL Gateway**  
(It may cause break down or fire)

- ④ Insert Gateway into the Hole
- Pushing 2 springs in direction of arrow paint, put the ESL Gateway into the ceiling.



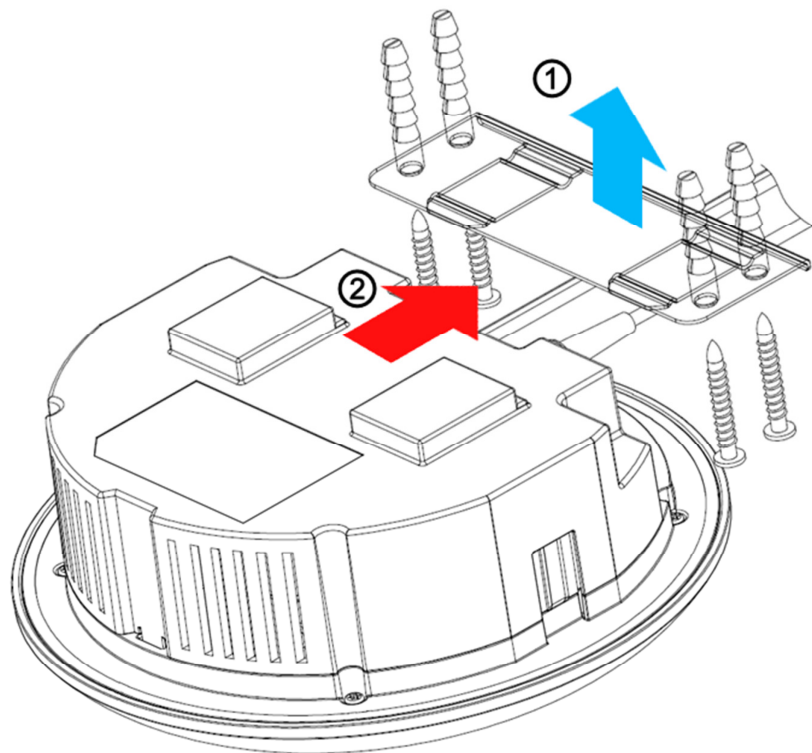
- ⑤ How to Remove
- Put flathead screwdriver to make hole on the both side.
  - Push screwdriver in arrow direction to make gap between ceiling and equipment. When gap is wider, Grab spring by hand and put down the equipment.

! CAUTION – Do not use excessive pressure on equipment to remove.  
(It may cause damage to ceiling material)



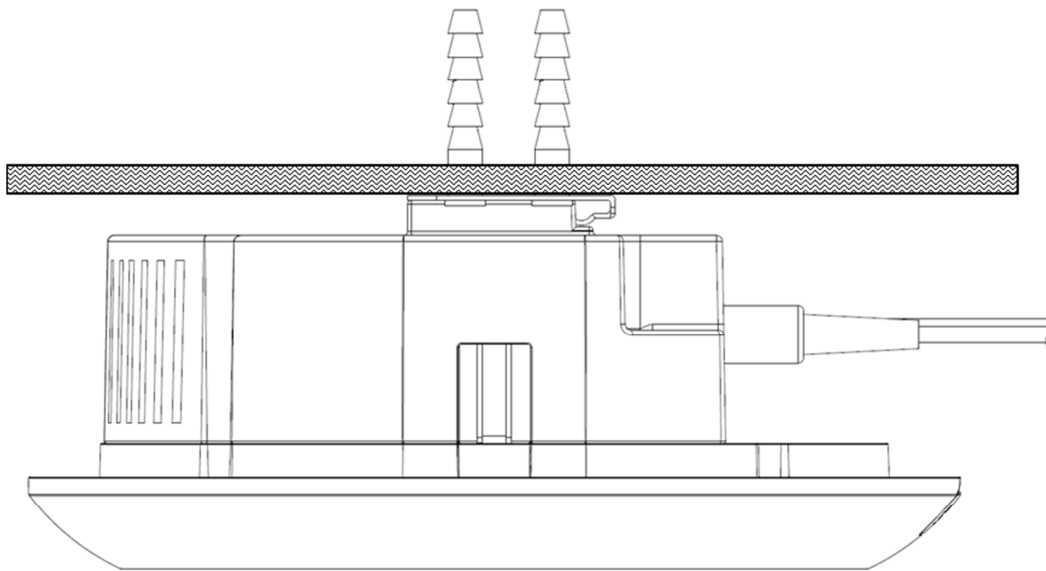
#### 5-1. Using Bracket

If you cannot make a hole on the ceiling, use the bracket in the package to install the ESL Gateway.

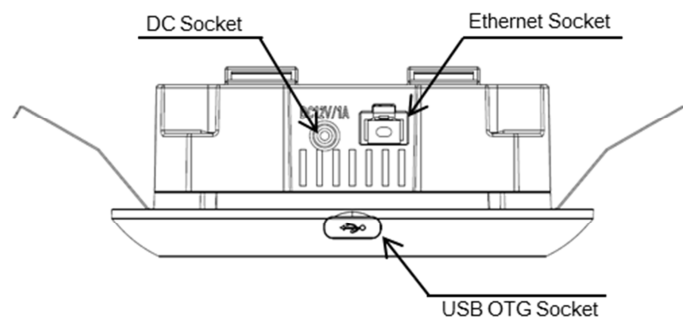
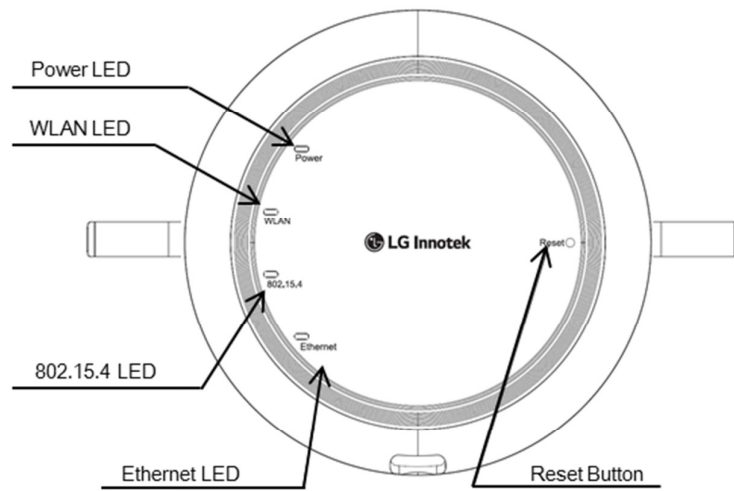


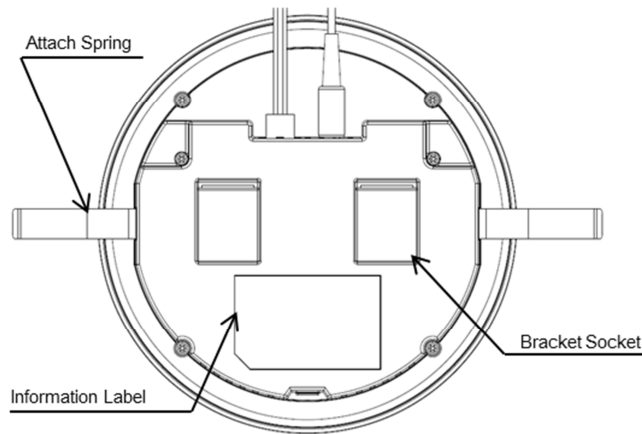
- ① Secure the bracket to the ceiling
- ② Combine the ESL gateway with bracket and bracket socket

Associated side view is as below:



## 5. Specifications





## 6. LED Operating

LED on the ESL Gateway indicates equipment status. Before operating, check this LED Color. After Booting and all OS loaded, red power LED turn is Normal Status.

**LED Operating Table**

LED	Explanation	Color	Scene	
WLAN	Communication with PDA or article matching device	Green	On	Active
			Off	In-active
802.15.4	Communication with ESL Tag (Transmit data)	Green	Blinking	Active
			Off	In-active
Ethernet	Communication with EMS	Green	Blinking	Active
			Off	In-active
Power	Gateway status indicating	Red	On	Normal State
			Off	Power Off
			Blinking (1-sec Interval)	Upgrade state or Factory test mode
All LED	Boot up	All	On	Boot up
	OS loading	All	Off	OS loading after Boot up

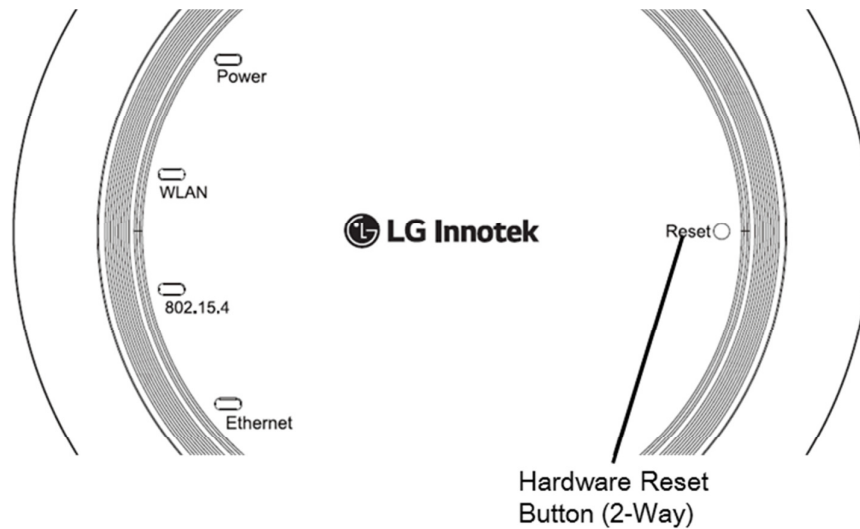
If there is any problem, turn off the equipment immediately and contact selling office.

## 7. Troubleshooting

- Hardware Reset

In case of malfunctions, reset the gateway by Hardware Reset button.

On the top of the equipment there is a reset button. Pressing reset button strongly for 10 seconds



## 8. Warranty

Under normal use condition, products resulting from its own failures in the warranty period will be free maintenance. Warranty Terms as following:

- a) Charge-free maintenance of the product is one year. We can repair it for free during the guarantee period (Damages not caused by misuse).
- b) During guarantee period, breakdown caused by misuse or other reasons out of range of warranty. You could ask repair and we charge for changed components and the maintenance.
- c) When the products need maintenance, contact to the local distributor.
- d) Taking apart of the product or improper washing is out of warranty range.
- e) We do not accept the damaged item due to modification or add other functions.
- f) Spares or replacement parts will be available for a period of 5 years from the end-of-sale date

The Following Circumstances will not be free warranty

- a) Period check, maintenance or change components due to normal attrition.
- b) The product was improperly installed
- c) The damages due to crash extrusion, artificial flooding, moisture or other personal reasons.
- d) The damages due to floods, fire, lightning strike and other natural calamities or force majeure incidents factors
- e) Repaired item by non-authorized repair centers.

All above terms, if changed, regarded to relevant regulations.



## 9. Regulation Information

### **INFORMATION TO THE USER**

This equipment has been tested and found to comply with the limits for a Class B digital device, pursuant to part 15 of the FCC Rules. These limits are designed to provide reasonable protection against harmful interference in a residential installation. This equipment generates, uses and can radiate radio frequency energy and, if not installed and used in accordance with the instructions, may cause harmful interference to radio communications.

However, there is no guarantee that interference will not occur in a particular installation. If this equipment does cause harmful interference to radio or television reception, which can be determined by turning the equipment off and on, the user is encouraged to try to correct the interference by one or more of the following measures:

- Reorient or relocate the receiving antenna.
- Increase the separation between the equipment and receiver.
- Connect the equipment into an outlet on a circuit different from that to which the receiver is connected.
- Consult the dealer or an experienced network technician for help.

This device complies with part 15 of the FCC Rules. Operation is subject to the following two conditions:

- (1) This device may not cause harmful interference, and
- (2) This device must accept any interference received, including interference that may cause undesired operation.

Caution: Any changes or modifications to the equipment not expressly approved by the party responsible for compliance could void user's authority to operate the equipment.

This appliance and its antenna must not be co-located or operation in conjunction with any other antenna or transmitter.

A minimum separation distance of 20 cm must be maintained between the antenna and the person for this appliance to satisfy the RF exposure requirement