

www.lgappliances.com.

LG

Window-Type Air Conditioner

OWNER'S MANUAL

LG

ENGLISH

ESPAÑOL

MODELS, MODELOS: LWHD1200FR

IMPORTANT

- Please read this owner's manual carefully and thoroughly before installing and operating your room air conditioner.
- Please retain this owner's manual for future reference after reading it thoroughly.

PRECAUTIONS

- Antes de instalar y poner en marcha su ventilador de casa, haga el favor de leer cuidadosamente esta instrucción de Usuario.
- Luego de su lectura, guarde este manual para el futuro usuario para las referencias.

TABLE OF CONTENTS

Safety Precautions	3
Before Operation	7
Introduction	8
Symbols Used in this Manual.....	8
Features.....	8
Electrical Safety	9
Temporary Use of an Adapter.....	11
Temporary Use of an Extension Cord.....	11
Introduction	12
How to Install the unit.....	12
Window Requirements.....	12
Installation Kits Contents.....	13
Requirements Suggested Tool.....	13
Cabinet Installation.....	14
Operating Instructions	17
Remote Control Operations.....	17
Remote Controller.....	18
Additional Features.....	19
Air Direction.....	19
Vent Control.....	19
Drain Pipe.....	20
Removal from Window.....	20
Maintenance and Service	21
Air Filter.....	21
Cleaning the Air Conditioner.....	21
How to Remove the Front Grille.....	22
Common Problems and Solutions.....	23
Troubleshooting.....	24



FOR YOUR RECORDS

Write the model and serial numbers here:

Model # _____

Serial # _____

You can find them on a label on the side of each unit.

Dealer's Name _____

Date Purchased _____

- Staple your receipt to this page in the event you need it to prove date of purchase or for warranty issues.



READ THIS MANUAL

Inside you will find many helpful hints on how to use and maintain your air conditioner properly. Just a little preventive care on your part can save you a great deal of time and money over the life of your air conditioner.

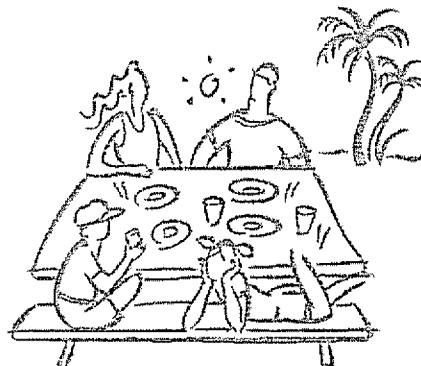
You'll find many answers to common problems in the chart of troubleshooting tips. If you review our chart of

Troubleshooting Tips first, you may not need to call for service at all.



PRECAUTION

- Contact an **Authorized Service Center** for repair or maintenance of this unit. Call 1-800-243-0000 to locate the nearest ASC.
- This air conditioner is not intended for use by young children or invalids without supervision.
- Young children should be supervised to ensure that they do not play with the air conditioner.
- If the power cord requires replacement, have an **Authorized Servicer** install an exact replacement part.
- Installation work must be performed in accordance with the **National Electric Code** by qualified and authorized personnel only.



Safety Precautions

To prevent injury to the user or other people and property damage, the following instructions must be followed.

- Incorrect operation due to ignoring instructions will cause harm or damage. The seriousness is classified by the following indications.
- Because of the weight of the product, it is recommended that you have a helper to assist in the installation.

⚠ WARNING This symbol indicates the possibility of death or serious injury.

⚠ CAUTION This symbol indicates the possibility of injury or damage to property only.

- Meanings of symbols used in this manual are as shown below.

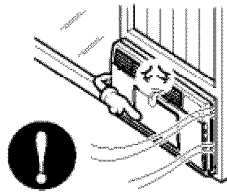
	Be sure not to do.
	Be sure to follow the instruction.

⚠ WARNING

■ Installation

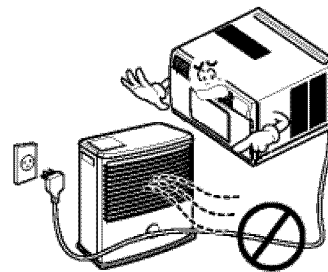
Always install the expansion panel(s).

- Improper assembly or installation may cause incorrect operation, including injury, fire, and



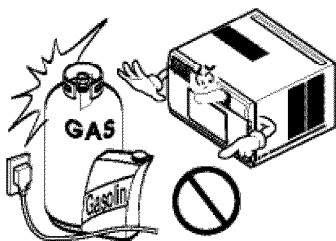
Do not place the power cord near a heater.

- It may cause fire and electric shock.



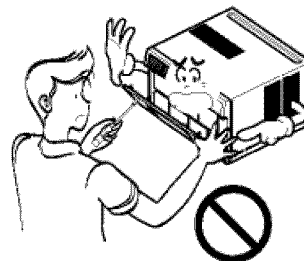
Do not use the power cord near flammable gas or combustibles such as gasoline, benzene, thinner, etc.

- It may cause explosion or fire.



Do not disassemble or modify products.

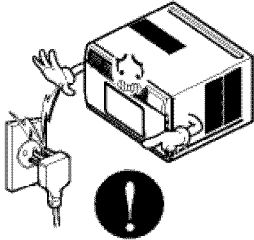
- It may cause electric shock and failure.



■ Operation

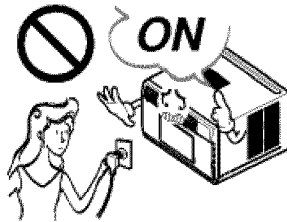
Plug in the power plug properly.

- Otherwise, it will cause electric shock or fire.



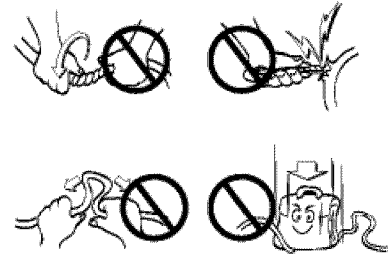
Do not operate or stop the unit by inserting or pulling out the power plug.

- It will cause electric shock or fire.



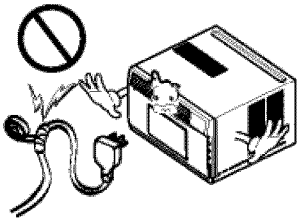
Do not damage or use an unspecified power cord.

- It will cause electric shock or fire.



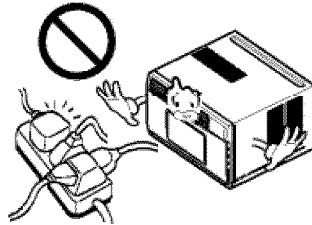
Do not modify power cord length.

- It will cause electric shock or fire.



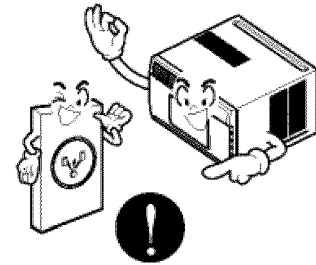
Use the air conditioner on a single outlet circuit. (See page 7.) Do not share the outlet with other appliances.

- It will cause electric shock or fire.



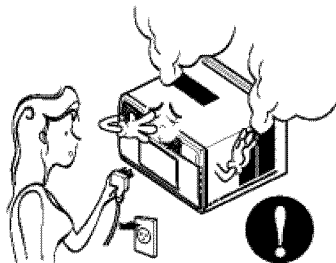
Always plug into a grounded outlet.

- No grounding may cause electric shock.



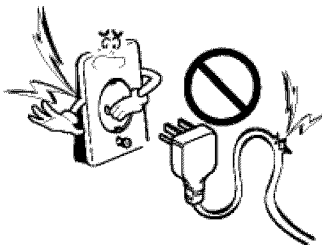
Unplug the unit if strange sounds, odors, or smoke come from it.

- Otherwise it will cause fire and electric shock accident.



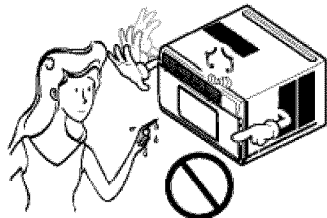
Do not use the socket if it is loose or damaged.

- It may cause fire and electric shock.



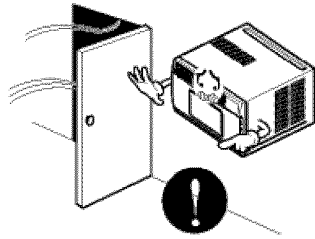
Do not operate with wet hands or in damp environment.

- It may cause electric shock.



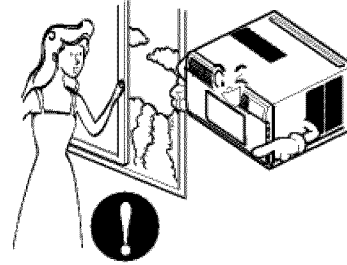
Close all doors, windows and other outside openings to the room.

- The air conditioner must be operated in a enclosed area to be most effective.



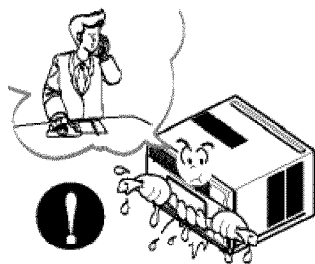
Ventilate before operating air conditioner when gas goes out.

- It may cause explosion, fire, and burn.



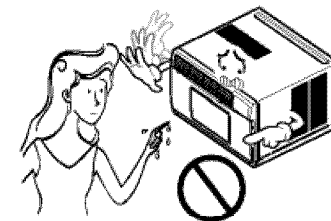
If water enters the product, turn off the the power switch of the main body of appliance. Contact service center after taking the power-plug out from the socket.

- It will cause electric shock or failure of machine.



Do not clean the air conditioner with water.

- Water may enter the unit and degrade the insulation. It may cause an electric shock.

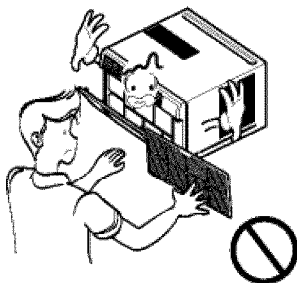


⚠ CAUTION

■ Installation

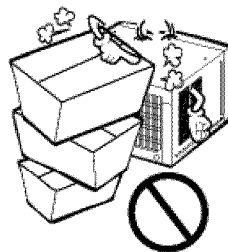
Never touch the metal parts of the unit when removing the filter.

- They are sharp and may cause injury.



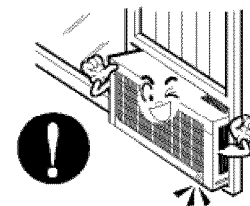
Do not block the inlet or outlet.

- It may cause failure of appliance or performance deteriorate.



Ensure that the outer case is not damaged by age or wear.

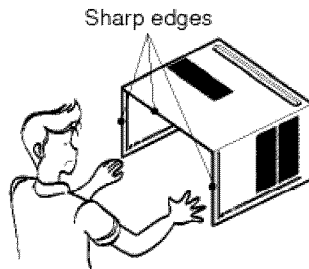
- If the outer case is damaged, it must be repaired or replaced immediately. Leaving it damaged could result in the air conditioner falling out of the window, creating a safety hazard.



■ Operation

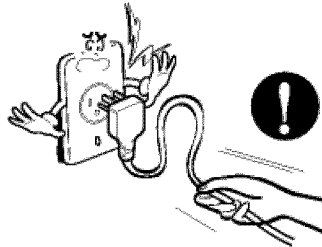
Be cautious not to touch the sharp edges when installing.

- It may cause injury.



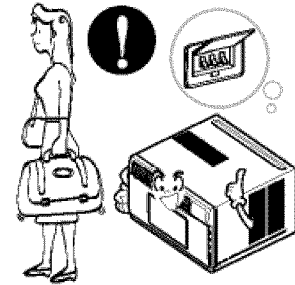
Hold the plug by the hand (not the cable) when taking it out.

- It may cause electric shock and damage.



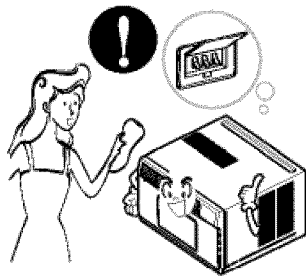
Unplug the air conditioner if it will not be used for a long period.

- It will waste power consumption in vain and it may cause accident.



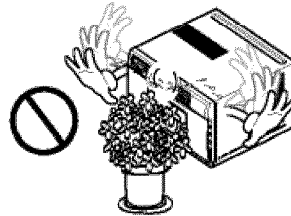
Unplug the air conditioner before cleaning it.

- Since the fan rotates at high speed during operation, it may cause injury.



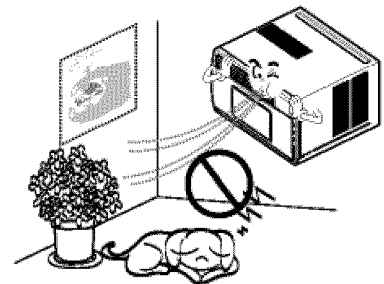
Do not put a pet or house plant where it will be exposed to direct air flow.

- This could injure the pet or plant.



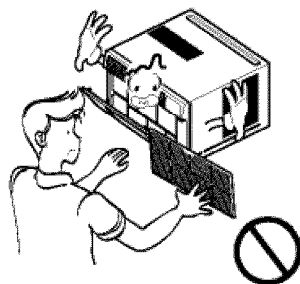
Do not use this appliance for special purposes such as pets, foods, precision machinery, or objects of art.

- It is an air conditioner, not a precision refrigeration system.



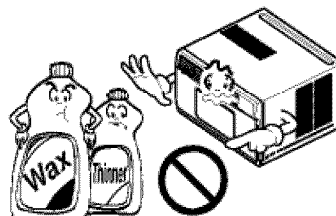
Always insert the filter securely. Clean it every two weeks.

- Operation without filters will cause failure.



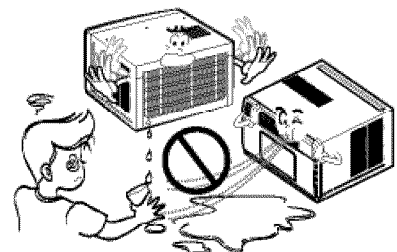
Use a soft cloth to clean. Do not use wax, thinner, or a strong detergent.

- The appearance of the air conditioner may deteriorate, change color, or develop surface flaws.



Do not drink water drained from air conditioner. Do not direct airflow at room occupants only.

- It is not sanitary and could cause illness or personal injury hazard.



Before Operation

Preparing for Operation

1. Plug in the power cord properly.
2. Use a dedicated circuit. Overloading the line could create a fire hazard.
3. Do not use an extension cord. See page 11 for more details.
4. Do not start/stop operation by plugging/unplugging the power cord.
5. If the power cord is damaged and requires replacement, have an Authorized Servicer install an exact replacement part.

Usage

1. Being exposed to direct airflow for an extended period of time could be hazardous to your health. Do not expose occupants, pets, or plants to direct airflow for extended periods of time.
2. Due to the possibility of oxygen deficiency, ventilate the room when used together with stoves or other heating devices.
3. Do not use this air conditioner for non-specified special purposes (e.g. preserving precision devices, food, pets, plants, and art objects). Such usage could damage the items.
4. The air conditioner is a consumer comfort appliance, not a precision climate control system.

Cleaning and Maintenance

1. Do not touch the metal parts of the unit when removing the filter. Injuries can occur when handling sharp metal edges.
2. Do not use water to clean inside the air conditioner. Exposure to water can destroy the insulation, leading to possible electric shock.
3. When cleaning the unit, first make sure that the power and breaker are turned off. The fan rotates at a very high speed during operation. There is a possibility of injury if the unit's power is accidentally triggered on while cleaning inner parts of the unit.

Service

For repair and maintenance, contact an Authorized Service Center. See the warranty page for details or call (800) 243-0000. Have your model number and serial number available. They should be written on page 2 of this manual.

Introduction

Symbols Used in this Manual



This symbol alerts you to the risk of electric shock.



This symbol alerts you to hazards that could cause harm to the air conditioner.

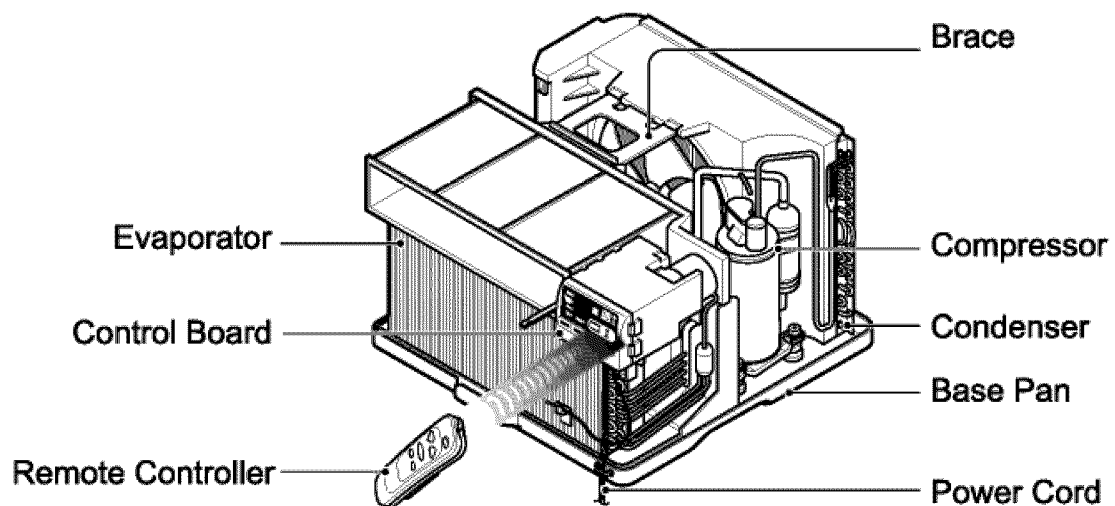
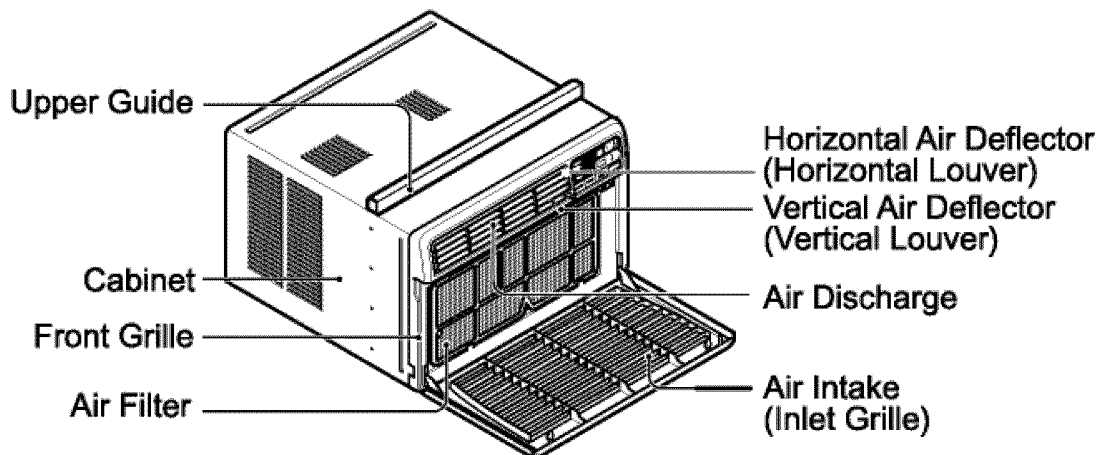
Tip!

This symbol indicates special notes.

Features

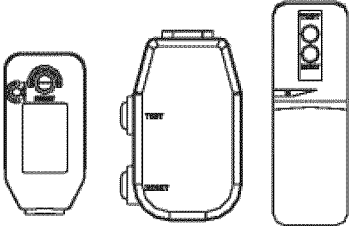
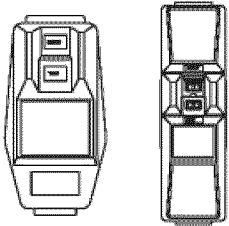





WARNING: This appliance should be installed in accordance with the National Electric Code.



Electrical Safety

Electrical Data

115V~	230V~	<p>Power cord may include a current interrupter device. A test and reset button is provided on the plug case. The device should be tested on a periodic basis by first pressing the TEST button and then the RESET button. If the TEST button does not trip or if the RESET button will not stay engaged, discontinue use of the air conditioner and contact a qualified service technician.</p>
		

Use Wall Receptacle	Power Supply
 <p>Standard 125V, 3-wire grounding receptacle rated 15A, 125V AC</p>	<p>Use 15 AMP. time delay fuse or 15 AMP. circuit breaker.</p>
 <p>Standard 250V, 3-wire grounding receptacle rated 15A, 250V AC</p>	
 <p>Standard 250V, 3-wire grounding receptacle rated 20A, 250V AC</p>	

ELECTRICAL SAFETY


IMPORTANT GROUNDING INSTRUCTIONS

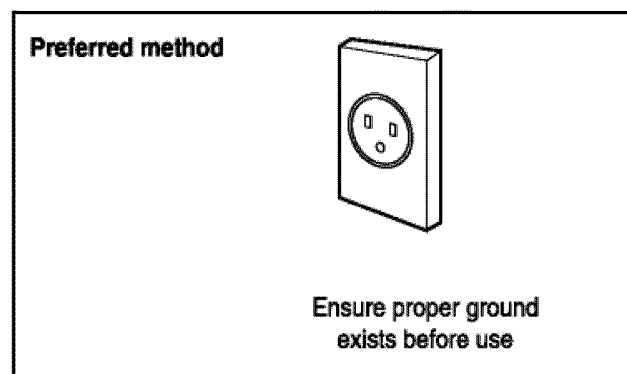
Air conditioner has a three-prong grounding plug on its power supply cord, which must be plugged into properly grounded three-prong wall receptacle for your protection against possible shock hazard.


Electrical Safety


 **WARNING:** This appliance must be properly grounded.


The power cord of this appliance is equipped with a three-prong grounding plug. To minimize the risk of electric shock, use the plug with a standard three-slot grounding wall power outlet. If the power outlet does not include a grounding slot, have a qualified electrician replace the outlet before you use the room air conditioner.

 **WARNING:** Changing the outlet without making the appropriate wiring changes will create an unsafe condition that could result in fire or electrical shock. Refer all such work to a licensed and qualified electrician.



 **WARNING:** Do not cut or remove the grounding prong from the power plug.

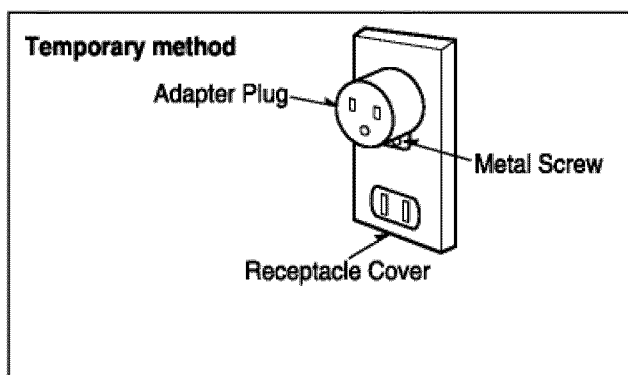
 **WARNING:** Attaching the adapter ground terminal to the wall receptacle cover screw does not ground the appliance unless the cover screw is metal and not insulated, and the wall receptacle is grounded through the house wiring.

 **WARNING:** If you have any doubt whether the air conditioner is properly grounded, have the wall receptacle and circuit checked by a qualified electrician.

Temporary Use of an Adapter

We **strongly discourage** the use of an adapter due to potential safety hazards. For temporary connections, use only a UL-listed adapter, available from most local hardware stores. Ensure that the large slot in the adapter is aligned with the large slot in the receptacle for a proper polarity connection.

To disconnect the power cord from the adapter, use one hand on each to avoid damaging the ground terminal. Avoid frequently unplugging the power cord as this can lead to eventual ground terminal damage.



WARNING: Never use the appliance with a broken adapter.

Temporary Use of an Extension Cord

115VOLT UNIT

We strongly discourage the use of an extension cord due to potential safety hazards. For temporary situations, use only CSA certified and UL listed 3-wire grounded extension cords, rated 15 A, 125V.

All wiring should be made in accordance with local electrical codes and regulations.

NOTICE

Aluminum house wiring may pose special problems. Consult a qualified electrician.

230,208, and 230/208 VOLT UNITS

These units are equipped with a three-prong grounding plug on the power supply cord, which must be plugged into a matching properly grounded three-prong wall receptacle for your protection against possible shock hazard. If such an outlet is not present, one must be installed by a qualified electrician in accordance with the National Electrical Code and local codes and ordinances.

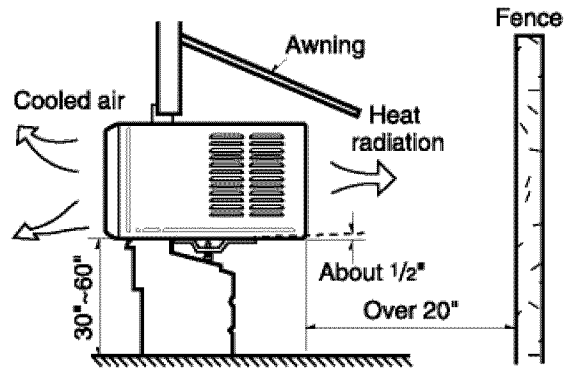
NOTICE

DO NOT USE AN EXTENSION CORD on 230,208, and 230/208 Volt units.

Installation

How to Install the Unit

- 1 To prevent vibration and noise, make sure the unit is installed securely and firmly
- 2 Install the unit where the sunlight does not shine directly on the unit.
- 3 The outside of the cabinet must extend outward for at least 12" and there should be no obstacles, such as a fence or wall, within 20" from the back of the cabinet because it will prevent heat radiation of the condenser.
Restriction of outside air will greatly reduce the cooling efficiency of the air conditioner.



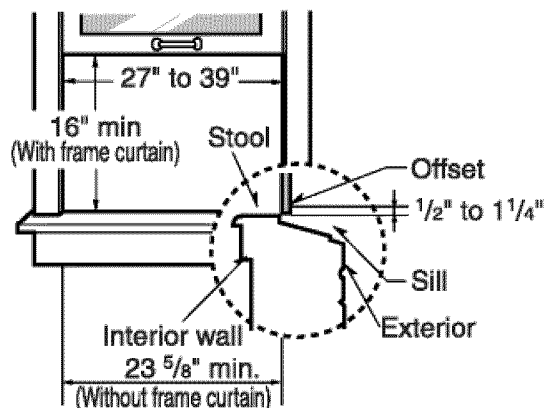
CAUTION: All side louvers of the cabinet must remain exposed to the outside of the structure.

- 4 Install the unit a little slanted so the back is slightly lower than the front (about 1/2"). This will force condensed water to flow to the outside.
- 5 Install the unit with the bottom about 30"~60" above the floor level.

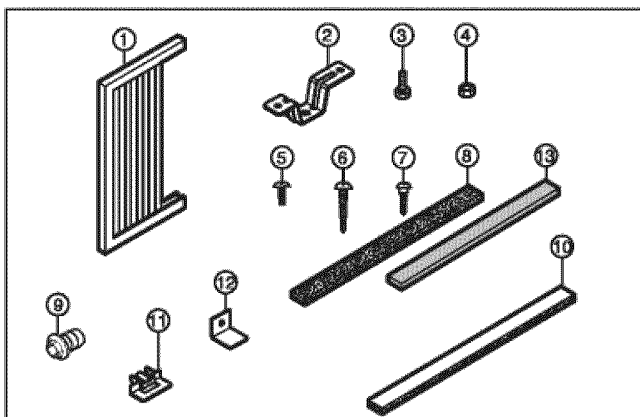
Window Requirements

NOTICE : All supporting parts should be secured to firm wood, masonry, or metal.

- This unit is designed for installation in standard double hung windows with actual opening widths from 27" to 39".
- The top and bottom window sash must open sufficiently to allow a clear vertical opening of 16" from the bottom of the upper sash to the window stool.



Installation Kits Contents



NO.	NAME OF PARTS	Q'TY
1	FRAME CURTAIN	2
2	SILL SUPPORT	2
3	BOLT	2
4	NUT	2
5	SCREW (TYPE A)	16
6	SCREW (TYPE B)	3
7	SCREW (TYPE C)	5
8	FOAM-STRIP	1
9	DRAIN PIPE	1
10	FOAM-PE	1
11	FRAME GUIDE	2
12	WINDOW LOCKING BRACKET	1
13	FOAM-PE	1

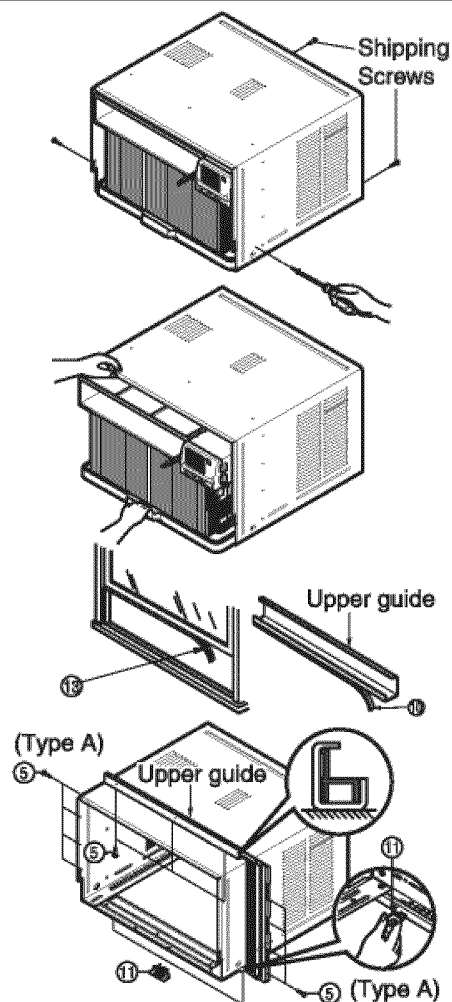
ENGLISH

Suggested Tool Requirements

SCREWDRIVER(Phillips and Flathead), RULER, KNIFE, HAMMER, PENCIL, LEVEL

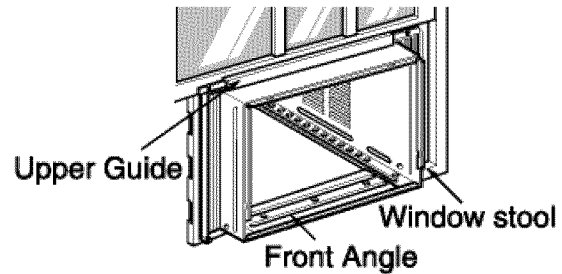
PREPARATION OF CHASSIS

- 1 Remove the screws which fasten the cabinet at both sides and at the back.
- 2 Slide the unit from the cabinet by gripping the base pan handle and pulling forward while bracing the cabinet.
- 3 Cut the window sash seal to the proper length. Peel off the backing and attach the Foam-PE ⑬ to the underside of the window sash.
- 4 Remove the backing from the top upper guide Foam-PE ⑩ and attach it to the bottom of the Upper Guide.
- 5 Attach the upper guide onto the top of the cabinet with 3 Type A screws ⑤.
- 6 Insert the Frame Guides ⑪ into the bottom of the cabinet.
- 7 Insert the Frame Curtain ① into the Upper Guide and Frame Guides ⑪.
- 8 Fasten the curtains to the unit with 4 Type A screws ⑤.



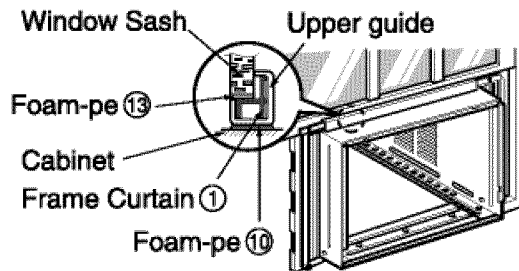
Cabinet Installation

- 1 Open the window. Mark a line on center of the window stool.
Carefully place the cabinet on the window stool and align the center mark on the bottom front with the center line marked in the window stool.

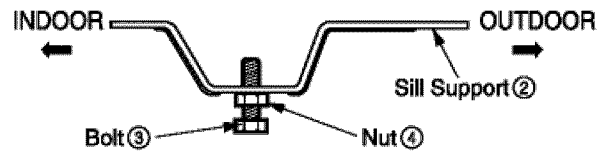


- 2 Pull the bottom window sash down behind the Upper Guide until it meets.

NOTICE : Do not pull the window sash down tightly that the movement of Frame Curtain is restricted.



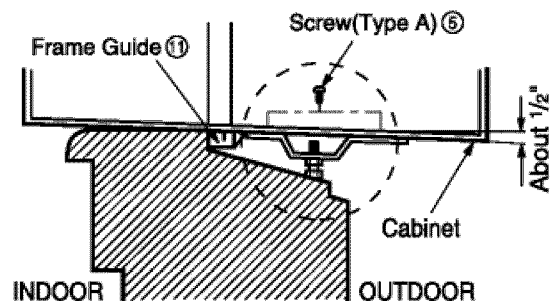
- 3 Loosely assemble the Sill Support using the parts



- 4 Select the position that will place the Sill Support near the outer most point on sill

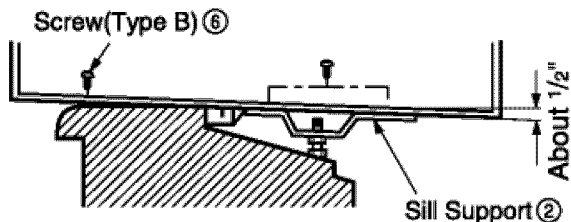
NOTICE : Be careful when you install the cabinet (Frame Guides are broken easily).

- 5 Attach the Sill Support to the cabinet track hole in relation to the selected position using 2 Type A screws in each support



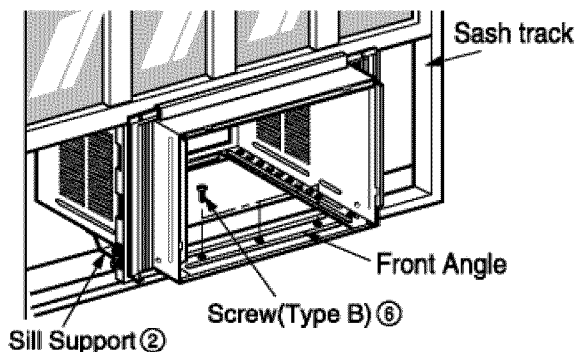
- 6 The cabinet should be installed with a very slight tilt (about 1/2") downward toward the outside

Adjust the bolt and the nut of Sill Support ② for balancing the cabinet.



- 7 Attach the cabinet to the window stool by driving the screws ⑥ (Type B: Length 16mm (5/8 inch) and below.) through the front angle into window stool.

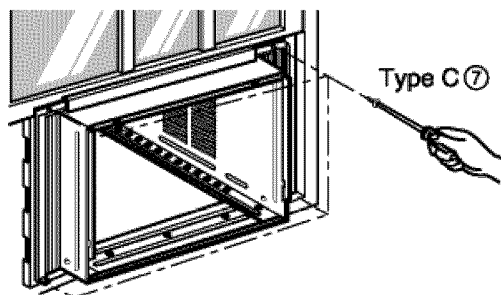
- 8 Pull each Frame Curtain ① fully to each window sash track, and repeat step 2.



- 9 Attach each Frame Curtain ① the window sash using screws ⑦ (Type C).



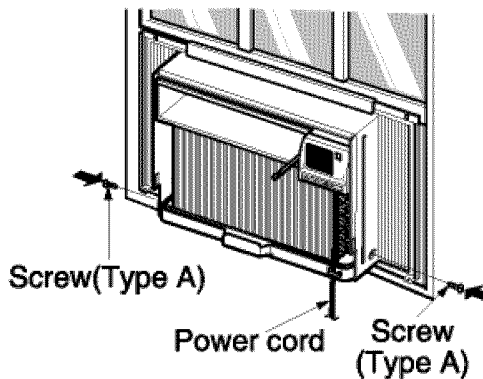
CAUTION: Do not drill a hole in the bottom pan. The unit is designed to operate with approximately 1/2" of water in bottom pan. There is no need to add water if the pan is dry.



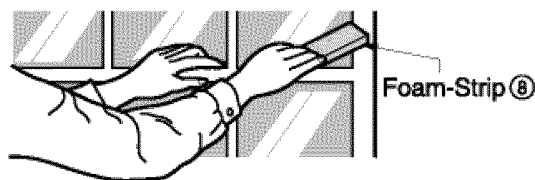
- 10 Slide the unit into the cabinet.



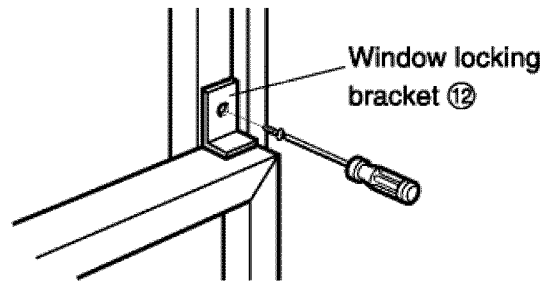
CAUTION: For security purpose, reinstall screws (Type A) at cabinet's sides.



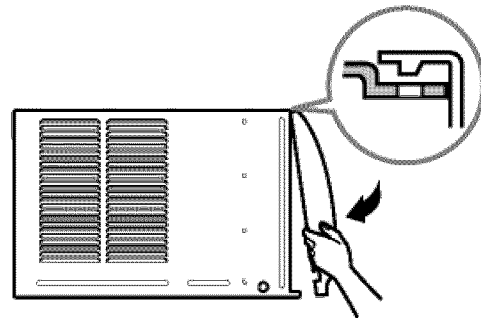
- 11 Cut the Foam-Strip ⑧ to the proper length and insert between the upper window sash and the lower window sash.



- 12 Attach the Window Locking Bracket 12 with a Type C screw 7.

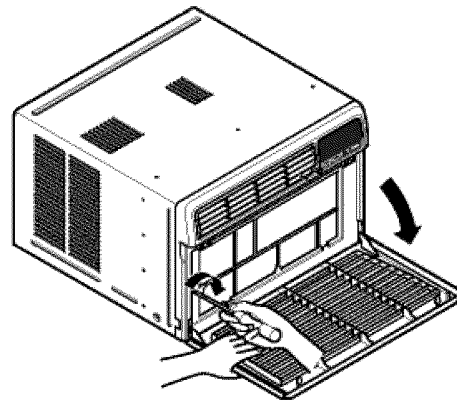


- 13 Attach the front grille to the cabinet by inserting the tabs on the grille into the tabs on the front of the cabinet. Push the grille in until it snaps into place.



- 14 Pull down the inlet grille and secure it with a Type A screw 5 through the front grille.

- 15 Window installation of room air conditioner is now completed. See ELECTRICAL DATA for attaching power cord to electrical outlet.



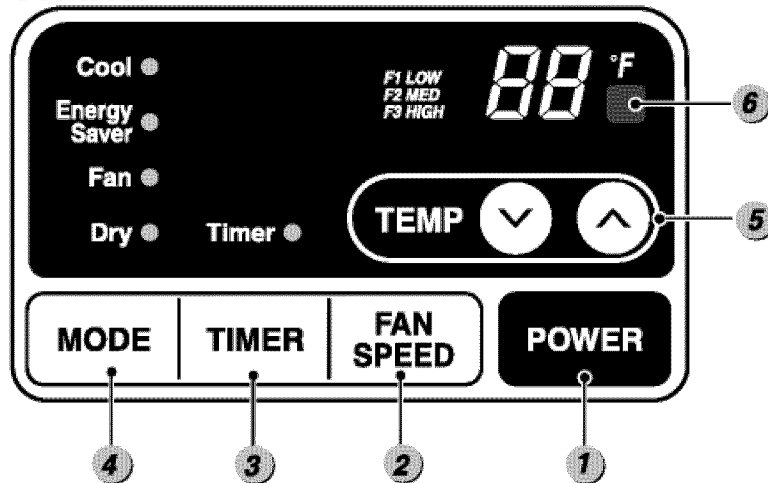
Operating Instructions

ENGLISH

Remote Control Operations

The controls look like this:

Controls



1 POWER

Operation starts when this button is pressed and stops when you press the button again.

2 FAN SPEED SELECTOR

For increased power while cooling, select a higher fan speed.

3 steps: High — Low — Med

3 ON/OFF TIMER

The timer can be set to start and stop the unit in hourly increments (up to 12 hours).

4 OPERATION MODE SELECTOR

Select cooling mode to cool the room.

Select energy saver mode for energy saving operation.

Select fan mode for basic ventilating fan operation.

Select dry mode for dry operation.

5 TEMPERATURE CONTROL

The thermostat monitors room temperature to maintain the desired temperature.

The thermostat can be set between 60°F~86°F (16°C~30°C).

The unit takes an average of 30 minutes to adjust the room temperature by 1°F.

6 REMOTE CONTROL SENSOR

AUTO RESTART

During operation in failure of electric power, the unit runs as previous setting operation.

Remote Controller

CAUTION: The Remote Controller will not function properly if strong light strikes the sensor window of the air conditioner or if there are obstacles between the Remote Controller and the air conditioner.

Power

Operation starts when this button is pressed and stops when you press the button again.

Temperature Control

The thermostat monitors room temperature to maintain the desired temperature.
The thermostat can be set between 60°F~86°F (16°C~30°C).
The unit takes an average of 30 minutes to adjust the room temperature by 1°F.

Fan Speed

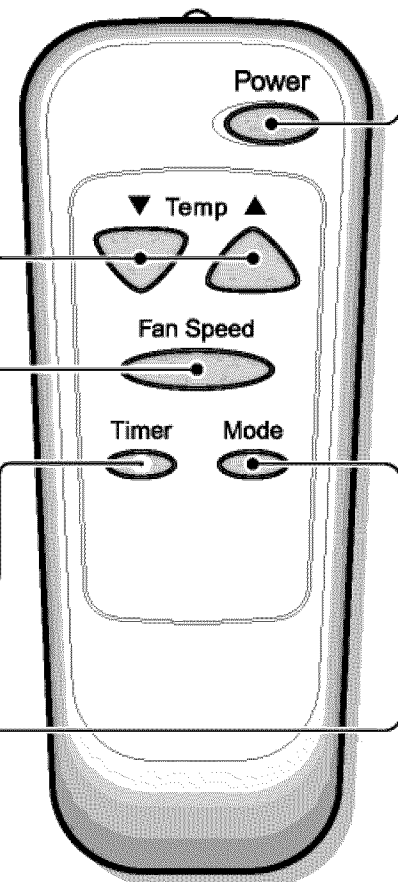
For increased power while cooling, select a higher fan speed.
3 steps: High-Low-Med

On/Off Timer

The timer can be set to start and stop the unit in hourly increments (up to 12 hours).

Operation Mode Selector

Select cooling mode to cool the room.
Select energy saver mode for energy saving operation.
Select fan mode for basic ventilating fan operation.
Select dry mode for dry operation.



How to Insert Batteries

1. Remove the cover from the back of the remote controller
2. Insert two batteries.
Be sure of the polarity when installing the batteries.
Be sure that both batteries are new.
3. Re-attach the cover.



Do not use rechargeable batteries. Such batteries differ from standard dry cells in shape, dimensions, and performance.

Remove the batteries from the remote controller if the air conditioner is not going to be used for an extended length of time.

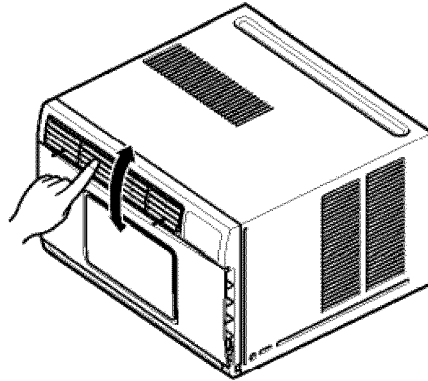
Additional Features

Air Direction

Airflow can be adjusted by changing the direction of the air conditioner's louvers. This can also increase the cooling efficiency of the air conditioner.

Adjusting Horizontal Air Flow Direction

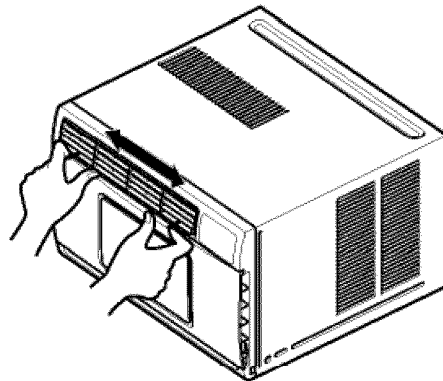
Adjusting the vertical louvers left and right will change horizontal airflow.



Adjusting horizontal air flow

Adjusting Vertical Air Flow Direction

Adjusting the horizontal vane up and down will change vertical airflow. The vane can be adjusted by nudging the back or up and down of the vane.



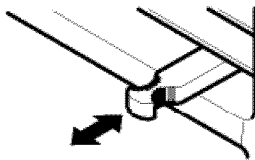
Adjusting vertical air flow

Recommended orientation of louvers

Adjust louvers to face upwards when cooling to maximize cooling efficiency.

Vent Control

For maximum cooling efficiency, CLOSE the vent. This will allow internal air circulation. OPEN the vent to discharge stale air.



CLOSE  VENT  OPEN

Additional Features

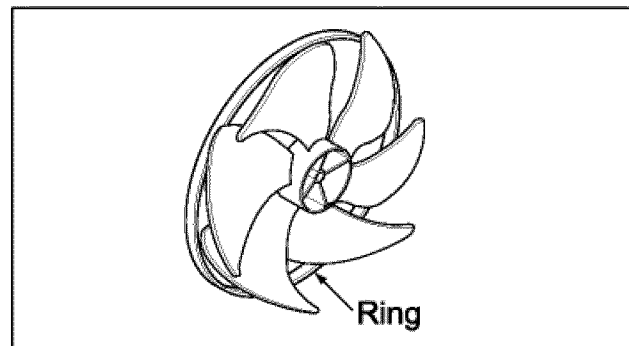
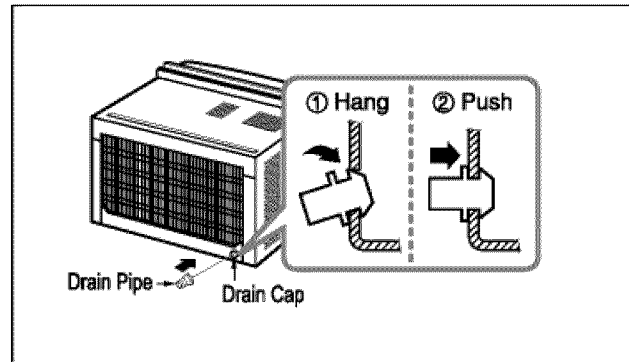
Drain Pipe

In humid weather, excess water may cause the Base Pan to overflow. To drain the water, remove the Drain Cap and secure the Drain Pipe to the rear hole of the Base Pan.

Press the drain pipe into the hole by pushing down and away from the fins to avoid injury.

This air conditioner is equipped with a slinger fan. (See drawing, below.)

The fan has an outer ring that runs in the water that collects in the base pan if it gets deep. That condensate is then picked up by the fan and expelled through the condenser, making the air conditioner more efficient.



CAUTION: Be careful when inserting the drain pipe. Push away from the sharp fin area to avoid slipping injuring yourself.

Removal From Window

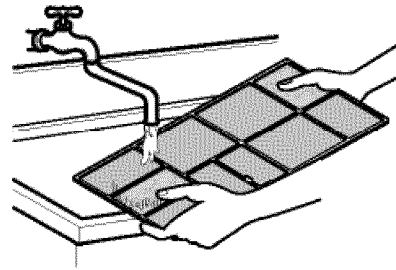
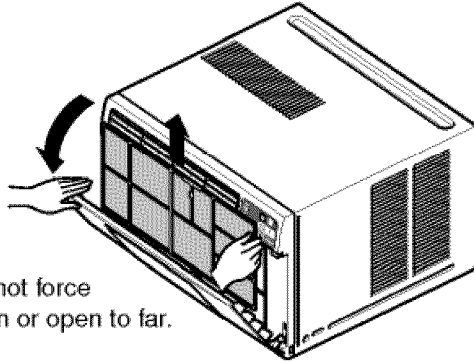
Turn the air conditioner off, disconnect the power cord, remove the L bracket, the screws and Support Bracket installed through the top and bottom of the guide panels, and save for reinstallation later. Close the guide panels. Keeping a firm grip on the air conditioner, raise the sash, and carefully tilt the air conditioner backward, draining any condensate. Lift the air conditioner from the window and remove the sash seal from between the windows.

Be sure to drain ALL condensate from the air conditioner. If you don't, it could run out while you carry the unit, making a mess and creating a slipping hazard. This simple step will save you much cleaning and make a safer work environment.

Maintenance and Service

Air Filter

Check the air filter at least twice a month to see if cleaning is necessary. Trapped particles in the filter can build up and block the airflow, reducing cooling capacity and causing an accumulation of frost on the evaporator. To clean the air filter:



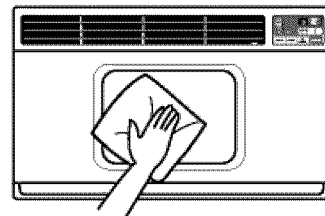
1. Pull the inlet grille forward.
2. Remove the air filter from the front grille by pulling the air filter up slightly.
3. Wash the filter using lukewarm water below 40°C (104°F).
4. Gently shake the excess water from the filter and replace.

Cleaning The Air Conditioner

The front grille and Inlet grille may be wiped with a cloth dampened in a mild detergent solution.

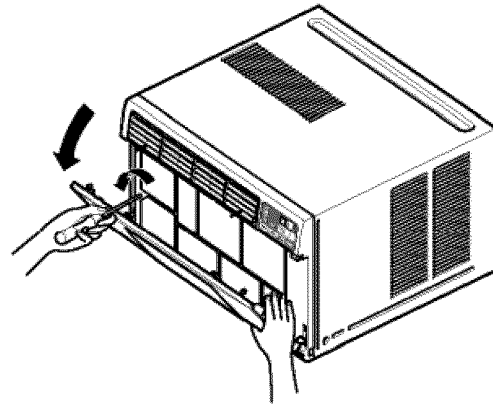
The cabinet may be washed with mild soap or detergent and lukewarm water, then polished with Liquid Wax for Appliances.

To ensure continued peak efficiency, the condenser coils (outside of unit) should be checked periodically and cleaned if clogged with soot or dirt from the atmosphere.

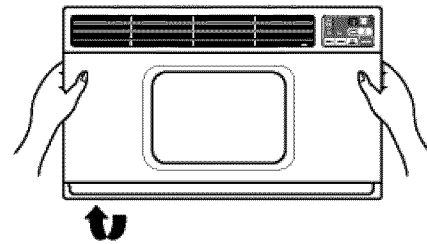


How to Remove the Front Grille

1. Pull the inlet grille forward
2. Remove the screw securing the Front Grille.



3. Push the grille up from the bottom and pull the top of the grille away from the case as the top tabs lift out of their slots.



Common Problems and Solutions

Before Calling for Service

If you have problems with your air conditioner, read the following information and try to solve the problem. If you cannot find a solution, turn off the air conditioner and contact your dealer.

Air conditioner does not operate

1. Ensure that the air conditioner is plugged into a proper outlet.
2. Check the fuse or circuit breaker.
3. Check whether the voltage is unusually high or low.

Air does not feel cold enough on the cooling setting

1. Ensure that the temperature settings are correct.
2. Check to see if the air filter is clogged with dust. If so, clean the filter.
3. Ensure that the air flow from the outside is not obstructed and that there is a clearance of over 20" between the back of the air conditioner and the wall or fence behind it.
4. Close all doors and windows and check for any source of heat in the room.



Before calling for service, please review the following list of common problems and solutions.

The air conditioner is operating normally when:

- You hear a pinging noise. This is caused by water being picked up by the fan on rainy days or in highly humid conditions. This feature is designed to help remove moisture in the air and improve cooling efficiency.
See the section on Slinger Fan, page 20.
- You hear the thermostat click. This is caused by the compressor cycle starting and stopping.
- You see water dripping from the rear of the unit. Water may be collected in the base pan in highly humid conditions or on rainy days. This water overflows and drips from the rear of the unit.
- You hear the fan running while the compressor is silent. This is a normal operational feature.

Troubleshooting

The air conditioner may be operating abnormally when:

Problem	Possible Causes	What To Do
Air conditioner does not start	<ul style="list-style-type: none"> ■ The air conditioner is unplugged. 	<ul style="list-style-type: none"> • Make sure the air conditioner plug is pushed completely into the outlet.
	<ul style="list-style-type: none"> ■ The fuse is blown/circuit breaker is tripped. 	<ul style="list-style-type: none"> • Check the house fuse/circuit breaker box and replace the fuse or reset the breaker.
	<ul style="list-style-type: none"> ■ Power failure. 	<ul style="list-style-type: none"> • If power failure occurs, turn the mode control to Off (Mechanical Type). When power is restored, wait 3 minutes to restart the air conditioner to prevent tripping of the compressor overload.
	<ul style="list-style-type: none"> ■ The current interrupter device is tripped. 	<ul style="list-style-type: none"> • Press the RESET button located on the power cord plug. If the RESET button will not stay engaged, discontinue use of the air conditioner and contact a qualified service technician.
Air conditioner does not cool as it should	<ul style="list-style-type: none"> ■ Airflow is restricted. 	<ul style="list-style-type: none"> • Make sure there are no curtains, blinds, or furniture blocking the front of the air conditioner.
	<ul style="list-style-type: none"> ■ The thermostat may not be set high enough. 	<ul style="list-style-type: none"> • Turn the knob to a higher number. The highest setting provides maximum cooling.
	<ul style="list-style-type: none"> ■ The air filter is dirty. 	<ul style="list-style-type: none"> • Clean the filter at least every 2 weeks. See the care and Maintenance section.
	<ul style="list-style-type: none"> ■ The room may have been hot. 	<ul style="list-style-type: none"> • When the air conditioner is first turned on, you need to allow time for the room to cool down.
	<ul style="list-style-type: none"> ■ Cold air is escaping. 	<ul style="list-style-type: none"> • Check for open furnace floor registers and cold air returns.
	<ul style="list-style-type: none"> ■ Cooling coils have iced up. 	<ul style="list-style-type: none"> • See Air Conditioner Freezing Up below.
Air conditioner freezing up	<ul style="list-style-type: none"> ■ Ice blocks the air flow and stops the air conditioner from cooling the room. 	<ul style="list-style-type: none"> • Set the mode control at High Fan or High Cool with thermostat at 1 or 2.

* You can refer to the Energy Star program in detail at www.energystar.gov.

Lined area for writing notes, consisting of horizontal dashed lines.

Dotted lines for writing.

TABLA DE CONTENIDOS

Precauciones de Seguridad	28
Antes de poner en marcha	32
Introducción	33
Símbolos Utilizados en Este Manual.	33
Características	33
Seguridad Eléctrica	34
Uso Transitorio de un Adaptador	36
Uso Temporal de un Cable Alargador	36
Instalación	37
Cómo instala la unidad	37
Requisitos de la Ventana	37
Contenidos de los conjuntos de instalación	38
Requisitos sugeridos de las ventanas	38
Instalación del gabinete	39
Instrucciones de Funcionamiento	42
Instruccions de Control Remoto	42
Control Remoto	43
Adicionales e Características	44
La Dirección del Aire	44
Control de ventilaciín	44
Tubo de Desagüe	45
Removerlo de la Ventana	45
Mantenimiento y Servicio	46
Filtro de Aire	46
Limpieza del Aire Acondicionado	46
Como Remover la Parilla Frontal	47
Problemas y Soluciones Habituales	48
Resolución de problemas	49



PARA SUS ARCHIVOS

Escriba aquí el modelo y número de serie:

Modelo n°: _____

Serie n°: _____

Puede encontrar los números en la etiqueta de la parte lateral del producto.

Nombre del distribuidor: _____

Fecha de compra: _____

- Adjunte su recibo a esta página con la grapadora para el momento que lo necesite para probar la fecha de su adquisición o para la validación de la garantía.

ESPAÑOL



LEA ESTE MANUAL

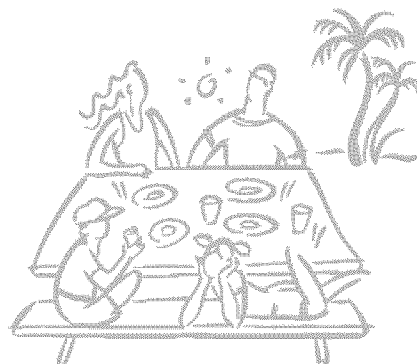
En su interior encontrará muchos consejos útiles sobre la utilización y mantenimiento de su acondicionador de aire. Unos pocos cuidados por su parte le pueden ahorrar mucho tiempo y dinero durante la vida de su acondicionador de aire.

En la tabla de consejos para la solución rápida de problemas encontrará muchas respuestas a los problemas más habituales. Si revisa primero nuestra **Tabla de Consejos** para la solución rápida de problemas, tal vez no necesite llamar nunca al servicio técnico.



PRECAUCIÓN

- Contacte a un Centro de Servicio Autorizado para reparar o realizar el mantenimiento de esta unidad. Llame a 1-800-243-0000 para ubicar el CSA más cercano.
- El aire acondicionado no es apto para ser usado por niños pequeños o discapacitados sin la supervisión adecuada.
- Los niños pequeños deben ser supervisados para asegurar que no jueguen con el aire acondicionado.
- Si hay que cambiar el cable de alimentación, solicite a un técnico de servicio que instale un recambio exacto.
- El trabajo de la instalación debe ser realizado de acuerdo al Código Eléctrico Nacional, únicamente por el personal calificado y autorizado.



Precauciones de Seguridad

Para prevenir tanto lesiones al usuario u otras personas como daños materiales, es preciso seguir estas instrucciones.

- La incorrecta operación del aparato como consecuencia de ignorar las instrucciones provocará daños o lesiones.
- A cause del peso pesado del producto, se recomienda que usted tenga a un ayudante a participa en la instalación.

⚠ ADVERTENCIA Este símbolo indica la posibilidad de lesiones mortales o graves.

⚠ PRECAUCION Este símbolo indica la posibilidad de lesiones o daños materiales.

- El significado de los símbolos utilizados en este manual se indica a continuación.

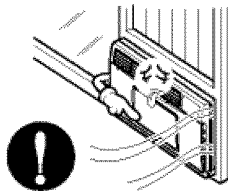
	Asegúrese de no hacerlo.
	Asegúrese de seguir las instrucciones.

⚠ ADVERTENCIA

■ Instalación

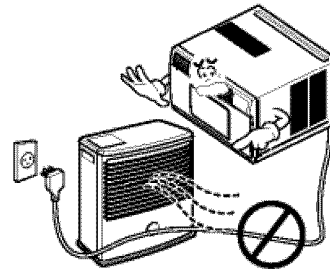
Instale siempre el (los) panel(es) de expansion.

- Un montaje o instalación defectuoso puede provocar un funcionamiento incorrecto, incluyendo riesgos de lesiones, incendios o



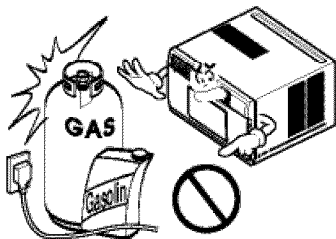
No coloque el cable eléctrico cerca de un calefactor.

- Puede causar incendio y descarga eléctrica.



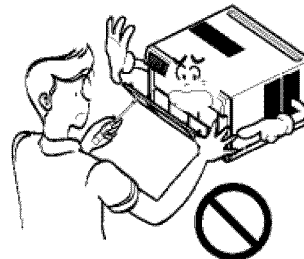
No use el cable de corriente cerca de gas inflamable o combustibles tales como gasolina, benzina, solvente, etc.

- Puede causar explosión o incendio.



No desarme o modifique los productos.

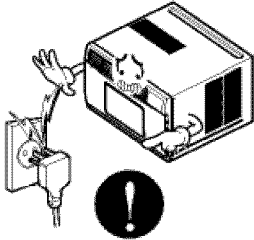
- Puede causar descarga eléctrica y fallos.



■ Funcionamiento

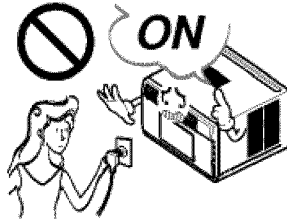
Enchufe la corriente adecuadamente.

- De otro modo, causará descarga eléctrica o incendio.



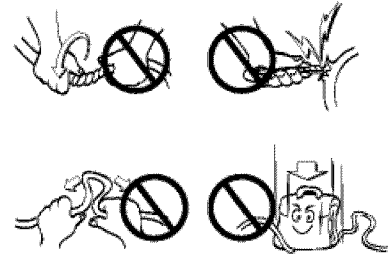
No haga funcionar o detenga la unidad insertando o tirando del enchufe.

- Causará descarga eléctrica o incendio.



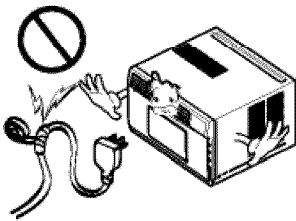
No dañe ni use un cable no especificado.

- Causará descarga eléctrica o incendio.



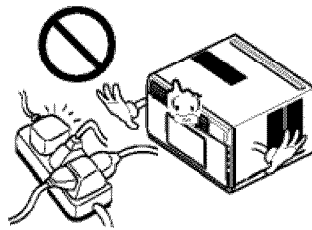
No modifique la longitud del cable de corriente eléctrica.

- Causará descarga eléctrica o incendio.



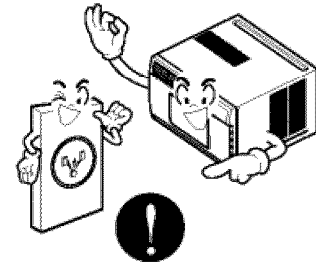
Use el aparato de aire acondicionado en un solo circuito. (Consulte la página 30). No comparta el circuito con otros electrodomésticos.

- Causará descarga eléctrica o incendio.



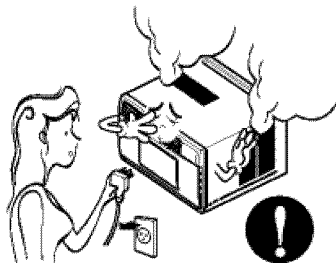
Siempre enchufe las piezas eléctricas en una salida conectada a masa.

- Si no hay conexión a masa, se puede producir una descarga eléctrica.



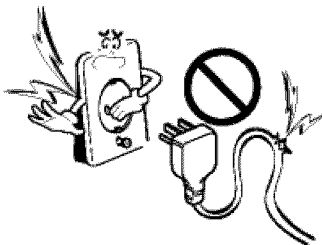
Desenchufe la unidad si se producen sonidos u olores extraños en la unidad.

- En caso que no, puede causar incendio y accidente de corto circuito.



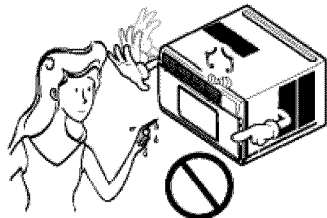
No use el tomacorriente si está suelto o dañado.

- Puede causar incendio y accidente eléctrico.



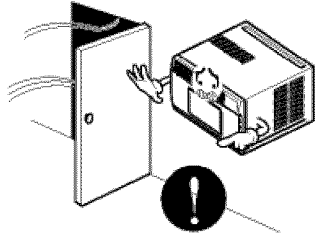
No haga funcionar la unidad con las manos húmedas o en un ambiente húmedo.

- Puede causar descarga eléctrica.



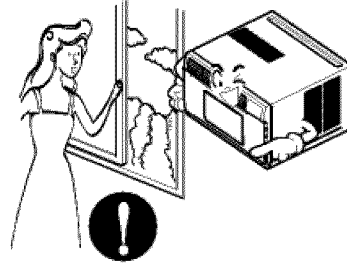
Cierre todas las puertas, ventanas y otras aberturas de la sala.

- El aparato de aire acondicionado debe operarse en un área cerrada para ser más efectivo.



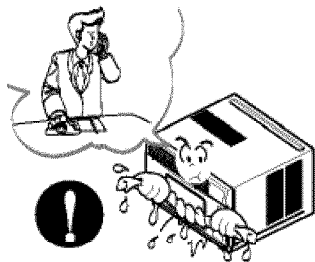
Ventile antes de hacer funcionar el acondicionador de aire cuando sale el gas.

- Puede causar explosión, incendio, quemaduras.



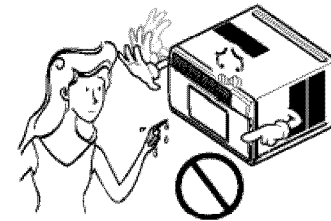
Si entra agua a la unidad, gire el interruptor principal del artefacto. Tome contacto con el centro de servicio después de desconectar el enchufe del tomacorriente.

- Causará descarga eléctrica o incendio.



No limpie la unidad de aire acondicionado con agua.

- Puede entrar agua en la unidad y disminuir la aislación. Puede causar una descarga eléctrica.

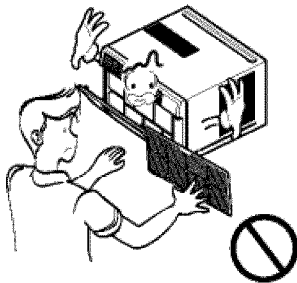


⚠ PRECAUCION

■ Instalación

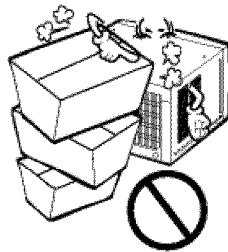
Nunca toque las piezas de metal de la unidad cuando quite el filtro.

- Son filosas y pueden causar lesiones.



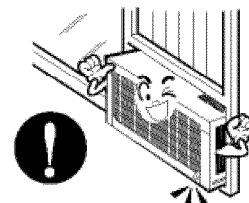
No bloquee la entrada o la salida de aire.

- Puede provocar el fallo de un electrodoméstico o deterioración de su rendimiento.



Asegúrese de que la caja externa no está dañada por los años o desgaste.

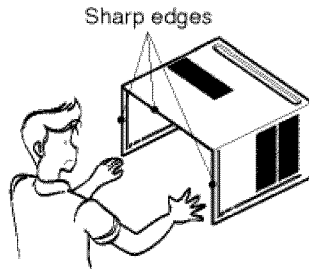
- Si la carcasa exterior está dañada, debe repararse o cambiarse inmediatamente. Dejarla podría provocar que el aparato de acondicionado se caiga de la ventana, con el consiguiente peligro de lesiones.



■ Funcionamiento

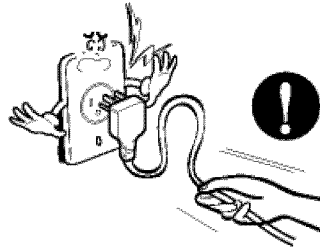
Al momento de su instalación, evite que se contacte con los bordes afilados.

- Hay riesgo de lesiones personales.



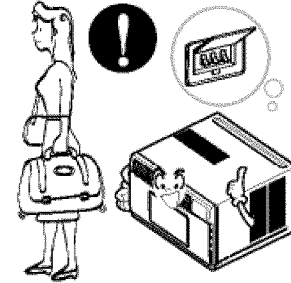
Sostenga el enchufe por el cuerpo (no del cable) cuando lo saque.

- Puede causar descarga eléctrica y daño.



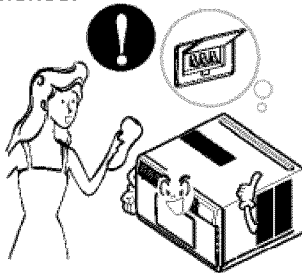
Desenchufe el aparato de aire acondicionado si no va a utilizarlo durante un largo período de tiempo.

- Gastará energía en vano y podría provocar un accidente.



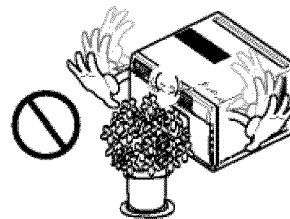
Desenchufe el aparato de aire acondicionado antes de limpiarlo.

- Como el ventilador gira a alta velocidad cuando está funcionando, puede causar lesiones.



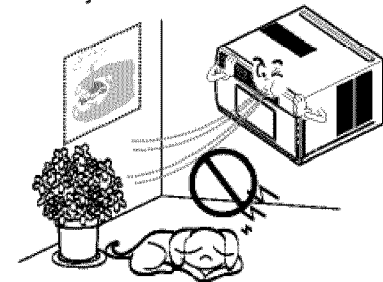
No coloque una mascota o una planta donde quede expuesto al flujo directo de aire. No se siente donde haya corrientes de aire.

- Este puede causar lesiones o daños en la mascota o la planta.



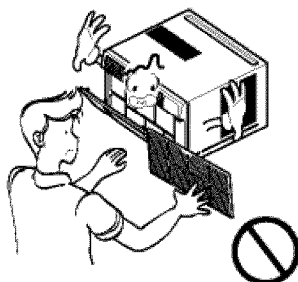
No use la unidad para propósitos especiales tales como animals o vegetales, máquinas de precisión u objetos de arte.

- Puede causar daño a los animales o vegetales y pérdida de objetos.



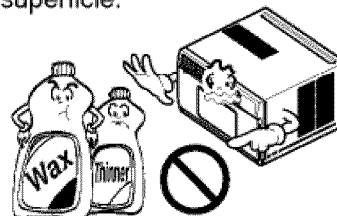
Siempre asegure los filtros al insertarlos. Límpielos cada dos semanas.

- El funcionamiento sin filtros puede dañar la unidad.



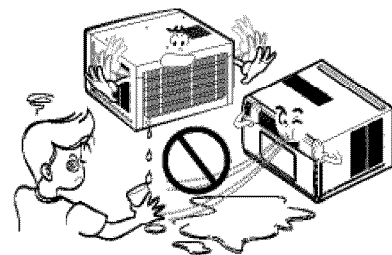
Use una paño suave para limpiar. No use ceras, solventes o un detergente fuerte

- La unidad del aire acondicionado puede deteriorarse, cambiar de color, o desarrollar manchas en la superficie.



No beba el agua drenada del acondicionador de aire. / No dirija el flujo de aire sólo a los ocupantes de la habitación.

- No es sano y podría provocar enfermedades o peligros de lesiones personales.



Antes de poner en marcha

Preparar para el funcionamiento

1. Coloque el enchufe correctamente.
2. Use un único circuito para este aparato. Recargar el circuito podría provocar un riesgo de incendios.
3. No utilice un alargador. Consulte la página 36 para más detalles.
4. No arranque/detenga el funcionamiento enchufando/desenchufando el cable de corriente eléctrica.
5. Si el alargador está dañado y ha de ser recambiado, solicite a un técnico autorizado que instale un recambio exacto.

Uso

1. Estar expuesto al flujo directo de aire por un período largo de tiempo puede constituir un riesgo para su salud. No exponga a las personas, mascotas o plantas al flujo directo por períodos largos de tiempo.
2. Debido a la posibilidad de falta de oxígeno, ventile la habitación cuando se use al mismo tiempo que estufas u otros dispositivos de calefacción.
3. No use este acondicionador de aire para propósitos determinados no especificados (por ej.: preservar dispositivos de precisión, alimentos, cachorros, plantas y objetos de arte). Tales usos puede dañar los elementos.
4. El aparato de aire acondicionado es un aparato diseñado para el confort del consumidor. No es un sistema aclimatizador.

Limpieza y mantenimiento

1. No toque las partes de metal de la unidad cuando quite el filtro. Puede lastimarse cuando manipule bordes filosos de metal.
2. No use agua para limpiar adentro del acondicionador. La exposición al agua puede destruir la aislación y esto a su vez provocar una descarga eléctrica.
3. Cuando limpie la unidad, asegúrese que la corriente y el interruptor estén desconectados. El ventilador gira a muy alta velocidad cuando está funcionando. Existe la posibilidad de lesionarse si la energía se conecta accidentalmente cuando esté limpiando las piezas internas de la unidad.

Servicio

Para reparaciones y mantenimiento, póngase en contacto con un centro de servicio autorizado. Consulte la página de garantía o llame al número (800) 243-0000. Tenga su número de modelo y número de serie a mano. Los encontrará en la página 25 de este manual.

Introducción

Símbolos Utilizados en Este Manual



Este símbolo lo advierte de un peligro de accidente por corriente eléctrica.



Este símbolo lo advierte de un peligro que pueda causar un daño del ventilador.

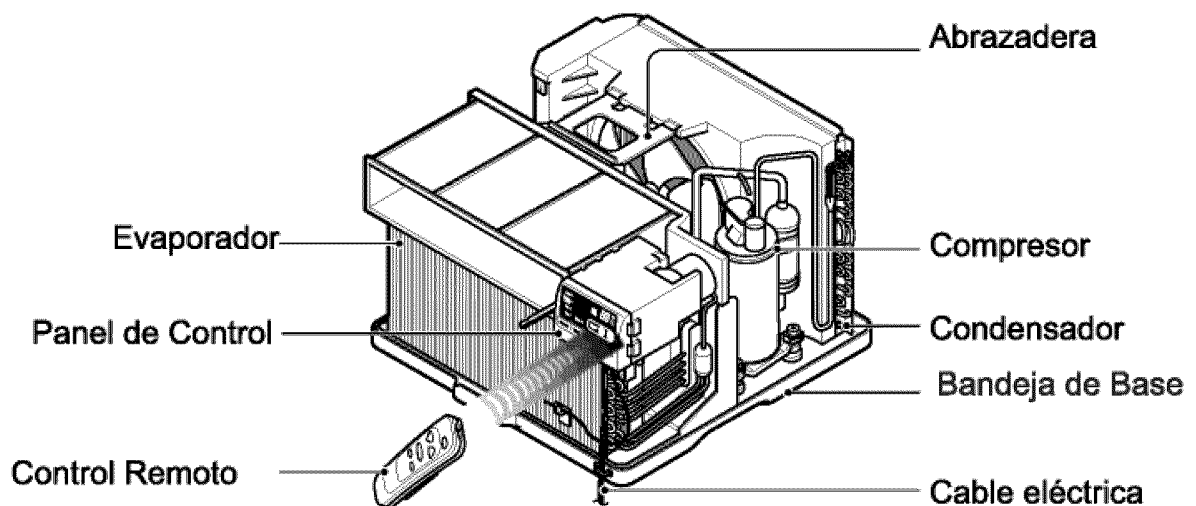
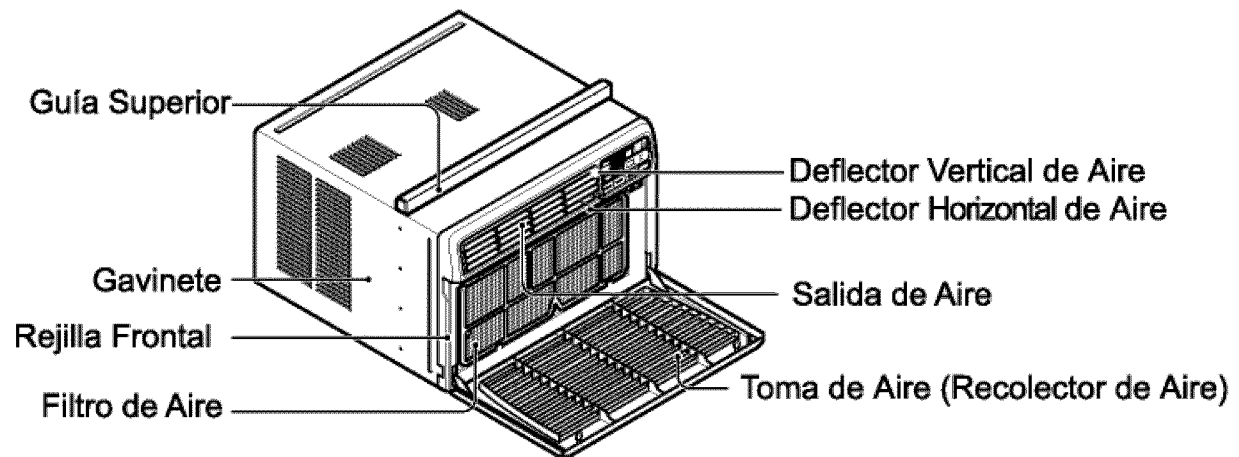
CONSEJO

Este símbolo significa condiciones especiales.

Características

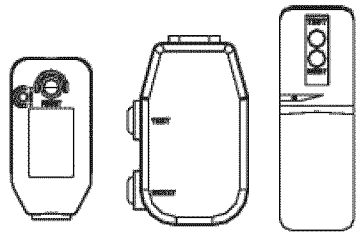
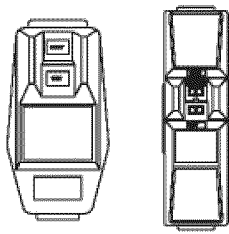





ADVERTENCIA : Este aparato debería instalarse de acuerdo con las normas del Código Eléctrico Nacional.



Seguridad Eléctrica

Datos Electricos

115V~	230V~	
		<p>El cable de alimentación puede incluir un dispositivo interruptor de corriente. La carcasa del enchufe cuenta con un botón de prueba y otro de reinicio. El dispositivo debe comprobarse periódicamente presionando primero el botón TEST y después RESET. Si el botón TEST no se desconecta o si el botón RESET no permanece activo, suspenda el uso del aire acondicionado y póngase en contacto con un técnico de servicio cualificado.</p>

Utilice el enchufe de la pared	Consumo de Energía
 <p>Standard 125V, enchufe de 3 Líneas de 15A, 125V AC</p>	<p>Utilice un fusible de 15AMP. o un Interruptor de 15AMP.</p>
 <p>Standard 250V, enchufe de 3 Líneas de 15A, 250V AC</p>	
 <p>Standard 250V, enchufe de 3 Líneas de 20A, 250V AC</p>	

SEGURIDAD ELECTRICA

INSTRUCCIONES DE CONEXION A TIERRA IMPORTANTES

El aire acondicionado tiene una clavija de conexión a tierra de tres patas en su cable de suministro de energía, que deberá enchufarse en un tomacorriente de pared de tres patas conectado a tierra adecuadamente para su protección contra un posible riesgo de electrocución.

Seguridad Eléctrica

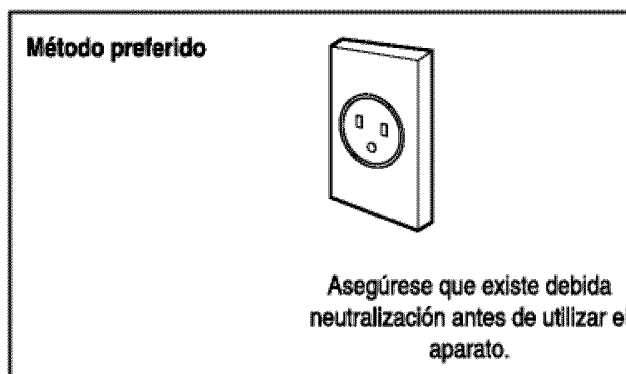


Este equipo debe estar puesto a tierra debidamente.

El cable de alimentación está equipado de una toma de tierra con tres pins. Para minimizar el peligro de una lesión por corriente eléctrica, utilice una toma con enchufe de tierra estándar con tres contactos. Si el enchufe de pared no contiene un borne de tierra, antes de usar el ventilador haga cambiar el enchufe por un electricista.



Cambiar la toma sin realizar los cambios de cableado apropiados creará un estado eléctrico inseguro que podría resultar en un incendio o descarga eléctrica. Para todo este tipo de trabajos, consulte siempre con un electricista cualificado.



No corte ni quite el borne de tierra de la clavija de alimentación



El acoplamiento del borne de tierra del adaptador con el tornillo de la cubierta del enchufe de pared no pondrá el equipo a tierra, si el tornillo de la cubierta no es de metal y está aislado y el enchufe de pared no está puesto a tierra a través de la red de la casa.

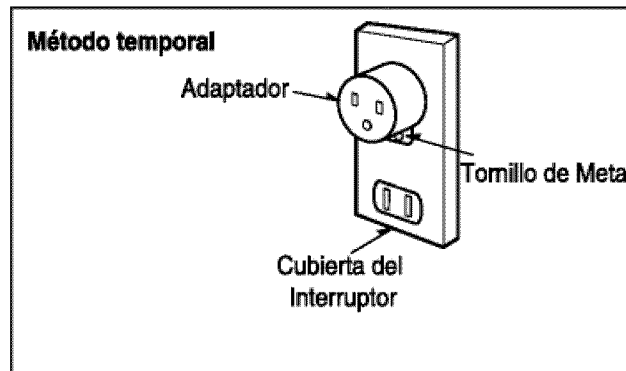


En el caso de cualquier duda respecto a la correcta puesta a tierra del ventilador, haga revisar el enchufe de pared y el circuito por un electricista profesional.

Uso Transitorio de un Adaptador

Debido a eventuales peligros de seguridad **no recomendamos en absoluto** el uso de un adaptador. Sólo para una conexión transitoria se puede usar el adaptador clasificado como UL que está a disposición en la mayoría de las tiendas de productos eléctricos. Atienda que el orificio grande en el adaptador corresponda al orificio grande en el enchufe para lograr la conexión con la polaridad correcta.

Desconectando el cable de alimentación del adaptador utilice una mano para separar las partes para evitar un daño del borne de tierra. Evite una desconexión frecuente del cable de alimentación, pues puede causar un eventual daño del borne de tierra.



Nunca utilice el equipo con un adaptador dañado.

Uso Temporal de un Cable Alargador

UNIDADE DE 115VOLTIO

Debido a un eventual peligro no recomendamos en absoluto el uso de un cable alargador. En situaciones excepcionales utilice sólo alargadores certificados con puesta a tierra CSA clasificados como UL con tres conductores de valores 15 A, 125A.

Todo el cableado deberá realizarse de acuerdo con los códigos y reglamentos eléctricos locales.

CONSEJO

El cableado doméstico de aluminio podría ocasionar problemas especiales. Consulte a un electricista calificado.

UNIDADE DE 230,208 y 230/208 VOLTIOS

Estas unidades están equipadas con una clavija de conexión a tierra de tres patas en el cable de suministro de energía que deberá enchufarse en un tomacorriente de pared para tres patas conectado a tierra adecuadamente (ver las ilustraciones a continuación) para su protección contra un posible riesgo de electrocución. Si no tiene un tomacorriente con estas características, un electricista calificado deberá instalar uno de acuerdo con el Código Elctrico Nacional y los códigos y normas locales.

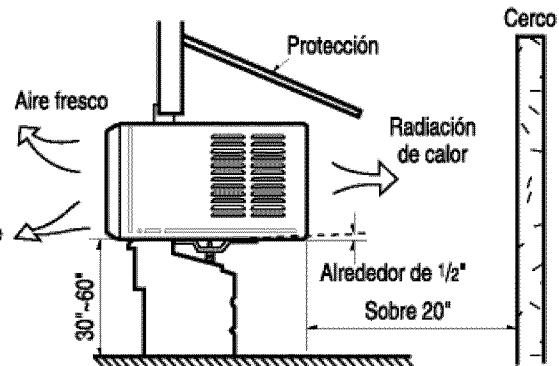
CONSEJO

No use un cable de extension.

Instalación

Cómo instalar la unidad

- 1 Para prevenir la vibración y el ruido, asegúrese que la unidad esté instalada con seguridad y firmeza.
- 2 Instale la unidad donde la luz del sol no caiga directamente en la misma.
- 3 La parte exterior del gabinete debe extenderse hacia afuera por lo menos a 12" sin obstáculos, como por ejemplo un cerco o una pared, dentro de los 20" desde la parte posterior del gabinete porque evitará la radiación de calor del condensador.
La restricción del aire exterior reduce en gran parte la eficiencia de enfriar del acondicionador de aire.



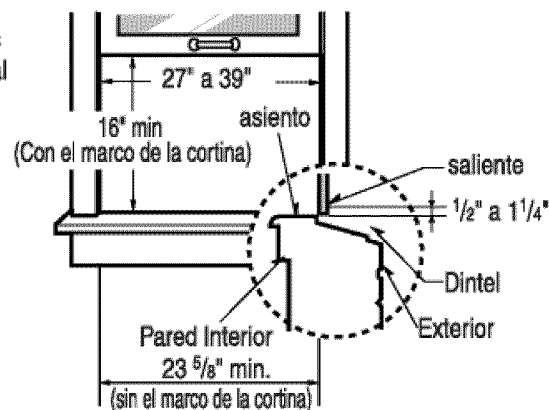
PRECAUCIÓN: Todos los álabes laterales del gabinete deben permanecer expuestos a la parte exterior de la estructura.

- 4 Instale la unidad un poco inclinada para que la parte posterior quede ligeramente más baja que el frente (alrededor de 1/2"). Esto forzará al agua condensada a fluir hacia el exterior.
- 5 Instale la unidad con el fondo aproximadamente 30"~60" por encima del nivel del piso.

Requisitos de la ventana

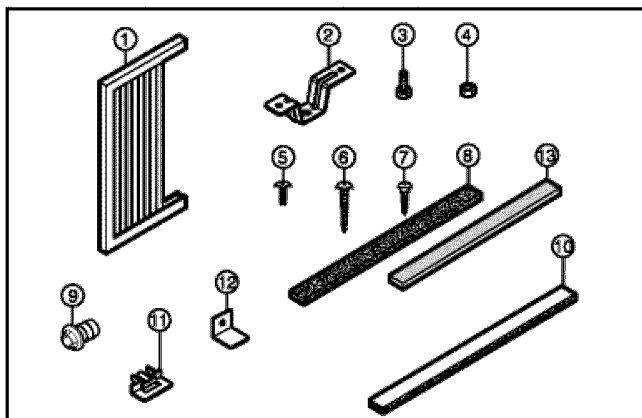
NOTA : Todas las piezas de soporte deben estar aseguradas con madera fuerte, mampostería, o metal.

- Esta unidad está diseñada para ser instalada en ventanas dobles basculantes estándar con amplitud de apertura real desde 27" a 39".
- Las hojas inferiores y superiores de la ventana deben abrirse lo suficiente para permitir una luz vertical de 16" desde la parte inferior de la hoja superior hasta el asiento de la ventana.



ESPAÑOL

Contenidos de los conjuntos de instalación



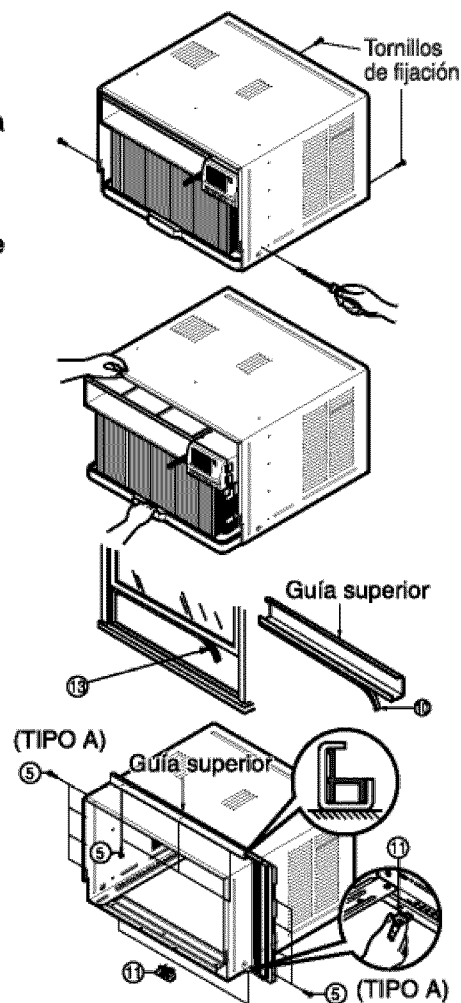
Nº	NOMBRE DE LA PARTE	Cantidad
1	MARCO DE LA CORTINA	2
2	DINTEL DE SOPORTE	2
3	PERNO	2
4	TUERCA	2
5	TORNILLO (TIPO A)	16
6	TORNILLO (TIPO B)	3
7	TORNILLO (TIPO C)	5
8	BURLETE DE ESPUMA	1
9	CAÑO DE DRENAJE	1
10	BURLETE de ESPUMA-PE	1
11	GUÍA DEL MARCO	2
12	ABRAZADERA DE FIJACIÓN A LA VENTANA	1
13	BURLETE de ESPUMA-PE	1

Requisitos sugeridos de las ventanas

DESTORNILLADOR (Philips y Flatead), REGLA, CUCHILLO, MARTILLO, LÁPIZ, NIVEL.

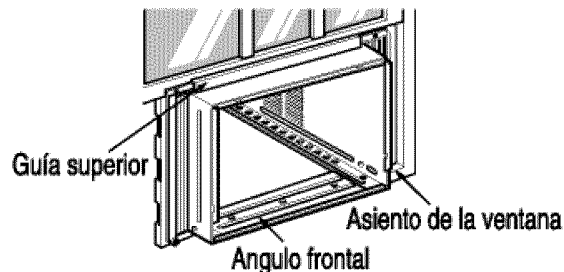
PREPARACIÓN DEL CHASIS

- 1 Quite los tornillos que unen el gabinete a ambos lados y a la parte posterior.
- 2 Deslice la unidad desde el gabinete haciendo la manija de la base de la bandeja base mientras con la otra mano sostiene el gabinete.
- 3 Corte el sello de la hoja de la ventana en la medida adecuada. Quite el recubrimiento del soporte y pegue el burlete de Espuma-PE (10) a la cara inferior de la hoja de la ventana.
- 4 Quite el soporte de la guía superior del burlete de Espuma PE (10) y péguela a la parte inferior de la guía superior.
- 5 Fije la guía superior a la parte superior del gabinete con 3 tornillos tipo A (5).
- 6 Inserte las guías del marco (11) en la parte inferior del gabinete.
- 7 Inserte el marco de la cortina (1) en la guía superior y las guías del marco (11).
- 8 Fije las cortinas a la unidad con 4 tornillos tipo A (5).



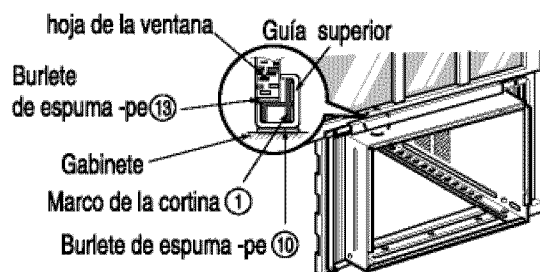
Instalación del gabinete

- 1 Abra la ventana. Marque una línea en el centro del asiento de la ventana.
Coloque cuidadosamente el gabinete sobre el asiento de la ventana alinee la marca central de la parte inferior frontal con la línea marcada en el centro del asiento de la ventana.

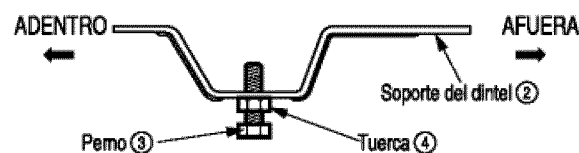


- 2 Tire la hoja inferior de la ventana detrás de la guía superior hasta que se encuentren.

NOTA : No tire hacia abajo la hoja de la ventana de un modo que impida el movimiento del marco de la cortina.



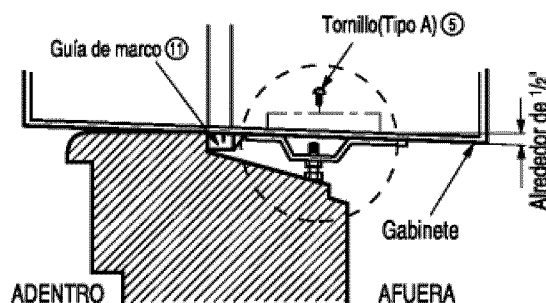
- 3 Arme de modo flojo el soporte del dintel usando las partes que se muestran en.



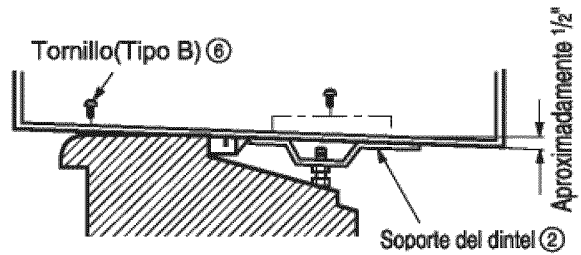
- 4 Seleccione la posición en la que colocará el soporte del dintel cerca del punto más externo del dintel.

NOTA : Tenga cuidado cuando instala el gabinete (las guías de marcos se rompen fácilmente).

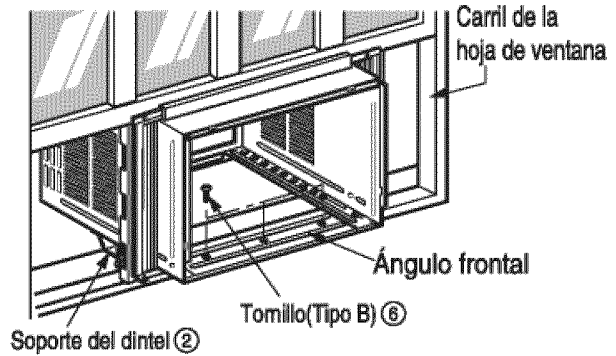
- 5 Agregue el soporte del dintel al hueco de la guía del gabinete según la posición seleccionada usando 2 tornillos tipo A en cada soporte.



- 6 El gabinete debe ser instalado con una ligera inclinación (aproximadamente 1/2") de modo que el lado externo quede hacia abajo. Ajuste el perno y la tuerca del soporte al dintel ② para equilibrar el gabinete.



- 7 Agregue el gabinete al asiento de la ventana colocando los tornillos ⑥ (Tipo B: Largo 16mm 5/8 - pulgadas - abajo.) a través del ángulo frontal en el asiento de la ventana.

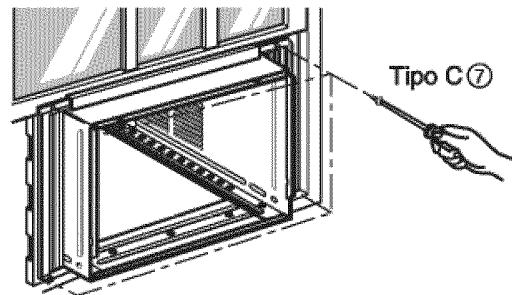


- 8 Tire cada marco de la cortina ① completamente para cada carril de hoja de ventana y repita el paso 2.

- 9 Agregue cada marco de la cortina ① de la hoja de la ventana usando tornillos ⑦ (Tipo C).



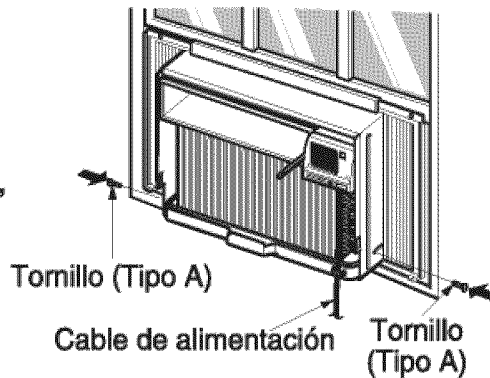
PRECAUCIÓN: No perforo en la bandeja inferior. La unidad está diseñada para operar con aproximadamente 1/2" de agua en la bandeja inferior. No hay necesidad de agregar agua a la bandeja si la bandeja está seca.



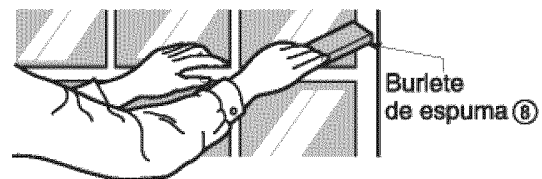
- 10 Deslice la unidad dentro del gabinete.



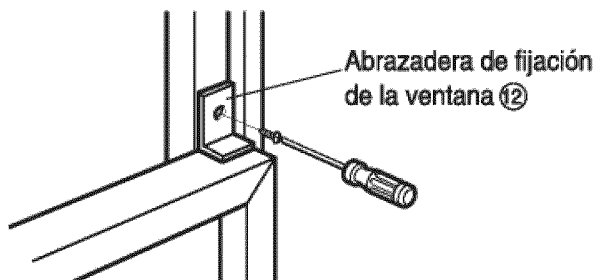
PRECAUCIÓN: Para propósitos de seguridad, reinstale los tornillos (Tipo A) a los lados del gabinete.



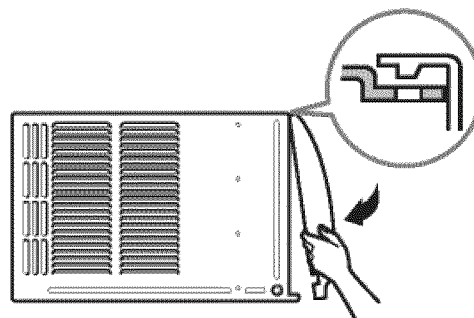
- 11 Corte el burlete de espuma ⑧ en el largo adecuado e insértelo entre la hoja superior de la ventana y en la hoja inferior de la misma.



- 12 Agregue la abrazadera de fijación 12 con un tornillo Tipo C 7

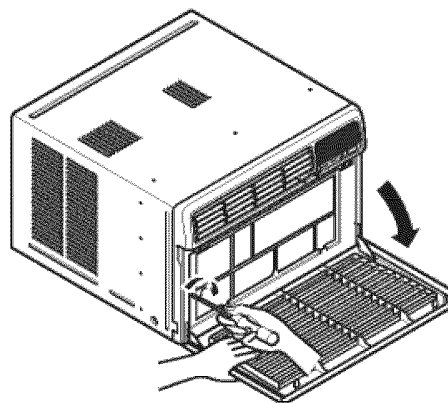


- 13 Agregue la parrilla frontal al gabinete insertando las pestañas en la parrilla dentro de las pestañas del frente del gabinete. Empuje la parrilla hasta que se fije en el lugar.



- 14 Tire hacia abajo la parrilla de entrada y asegúrela con un tornillo Tipo A 9 a través de la parrilla frontal.

- 15 La instalación del acondicionador de aire de ventana para habitación está ahora completada. Ver en DATOS DE ELECTRICIDAD para unir el cable de alimentación a la salida eléctrica.

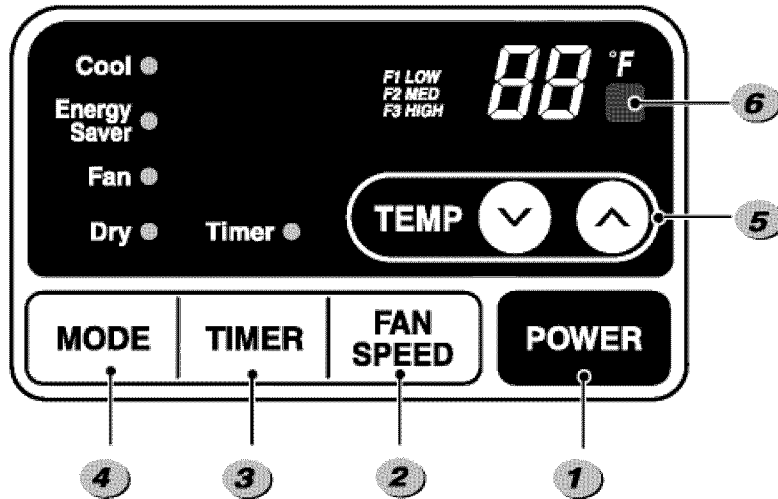


Instrucciones de Funcionamiento

Funcionamiento del control remoto



Los controles tienen este aspecto.



- 1 POWER (encendido)**
El funcionamiento se inicia cuando se pulsa esta tecla y se detiene cuando se la presiona nuevamente.
- 2 SELECTOR DE VELOCIDAD DEL VENTILADOR (FAN SPEED)**
Para aumentar la capacidad mientras se refresca, seleccione una mayor velocidad del ventilador.
3 Pasos: High (alta) – Low (baja) – Med (media)
- 3 CRONÓMETRO ON/OFF (ENCENDIDO/APAGADO)**
El cronómetro puede ser colocado para iniciar y detener la unidad en incrementos por hora (hasta 12 horas).
- 4 FUNCIONAMIENTO DEL MODO SELECTOR**
Seleccione el modo fresco (cool) para enfriar la habitación.
Seleccione el modo de ahorro de energía para el funcionamiento del ahorro de energía.
Seleccione el modo ventilador (fan) para el funcionamiento del ventilador.
Seleccione el modo seco (dry) para el funcionamiento seco.
- 5 CONTROL DE TEMPERATURA**
El termostato monitorea la temperatura de la habitación para mantener la temperatura deseada.
El termostato puede ser colocado entre 60°F–86°F (16°C–30°C).
La unidad toma un promedio de 30 minutos para ajustar la temperatura de la habitación en 1°F.
- 6 SENSOR DEL CONTROL REMOTO**

AUTO-ARRANQUE

En caso de fallo de la corriente eléctrica, la unidad funcionará como antes cuando vuelve la corriente.

Control Remoto

- ! PRECAUCIÓN:** El mando a distancia no funcionará correctamente si una luz fuerte hace contacto con el sensor del aire acondicionado o si hay obstáculos entre el mando a distancia y el aire acondicionado.

POWER (encendido)

El funcionamiento se inicia cuando se pulsa esta tecla y se detiene cuando se la presiona nuevamente.

CONTROL DE TEMPERATURA

El termostato monitorea la temperatura de la habitación para mantener la temperatura deseada. El termostato puede ser colocado entre 60°F~86°F (16°C~30°C). La unidad toma un promedio de 30 minutos para ajustar la temperatura de la habitación en 1°F.

SELECTOR DE VELOCIDAD DEL VENTILADOR (FAN SPEED)

Para aumentar la capacidad mientras se refresca, seleccione una mayor velocidad del ventilador. 3 Pasos: High (alta)-Low (baja)-Med (media)

CRONÓMETRO ON/OFF (ENCENDIDO/APAGADO)

El cronómetro puede ser colocado para iniciar y detener la unidad en incrementos por hora (hasta 12 horas).

FUNCIONAMIENTO DEL MODO SELECTOR

Seleccione el modo fresco (cool) para enfriar la habitación. Seleccione el modo de ahorro de energía para el funcionamiento del ahorro de energía. Seleccione el modo ventilador (fan) para el funcionamiento del ventilador. Seleccione el modo seco (dry) para el funcionamiento seco.

Cómo Poner las Baterías

1. Quite la tapa de la parte posterior del telemando. Para ello haga deslizar la tapa según la dirección del la flecha.
2. Introduzca las dos baterías, respete siempre la polaridad al instalar las pilas. Use baterías nuevas.
3. Volver a cerrar, resbalando la tapa hasta la posición inicial.



- No utilice baterías recargables, éstas son diferentes de forma, de dimensión y uso respecto a las baterías secas usuales.
- Seque las baterías del telemando cuando el acondicionador no vaya a ser usado durante un largo período.

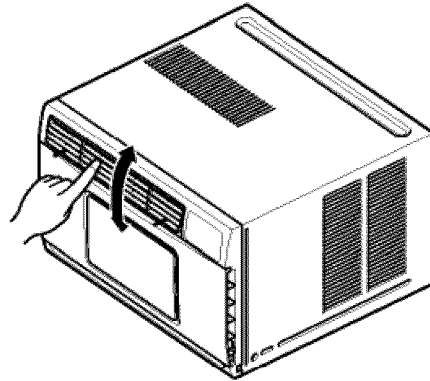
ESPAÑOL

Ajustar la dirección del flujo de aire

El flujo de aire puede ser ajustado cambiando la dirección de las rejillas de ventilación del acondicionador de aire. Esto puede también incrementar la eficacia del acondicionador de aire.

Ajustar la dirección del flujo de aire horizontal.

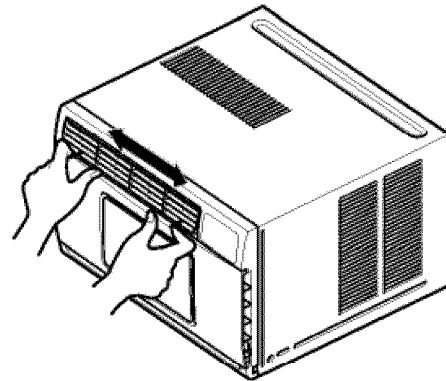
Ajustar las rejillas verticales hacia la izquierda y derecha cambiará el flujo horizontal.



Ajustar el flujo de aire horizontal

Ajustar la dirección del flujo de aire vertical

Ajustar el álabe horizontal hacia arriba y abajo cambiará el flujo de aire vertical. El álabe puede ser ajustado moviendo la parte posterior del álabe hacia arriba o abajo.



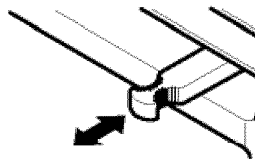
Ajustar el flujo de aire vertical

Orientación recomendada de las rejillas

Ajuste las rejillas hacia arriba para llevar al máximo a eficacia del fresco.

Control de ventilación

Para máxima eficiencia de frescura, CIERRE la ventilación. Esto permitirá la circulación interna de aire. ABRA la ventilación para descargar el aire viciado.

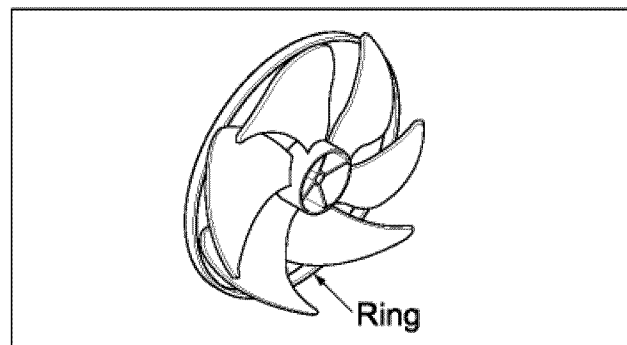
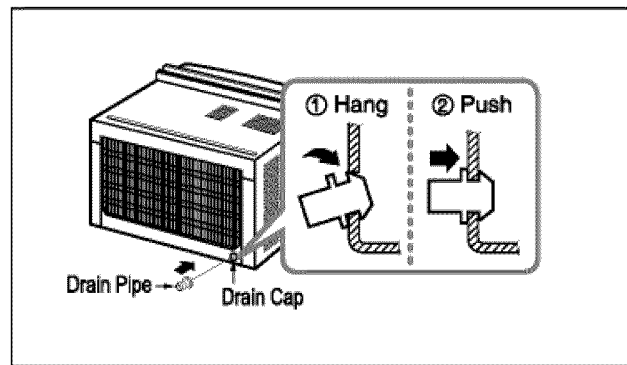


CERRADA  VENTILACIÓN  ABIERTA

Adicionales e Características

Tubo de Desagüe

En climas húmedos, es posible que la Bandeja Evaporadora se llene de agua. Para quitar el agua acumulado, es preciso conectar el tubo de desagüe. Quite la Tapa del Desagüe y conecte el Tubo a la Bandeja Evaporadora. Este aparato de aire acondicionado va equipado con un ventilador de extracción. (Véase la ilustración de abajo). El ventilador tiene un anillo externo que gira en el agua que recoge en la plancha base al entrar en profundidad. La condensación la recoge el ventilador y la expulsa a través del condensador, haciendo más eficiente al aparato de aire acondicionado.



ESPAÑOL

PRECAUCIÓN: Tenga cuidado al insertar el tubo de drenaje. Aléjalo de la area aguda para evitar el deslice y lesiones por usted mismo.

Removerlo de la Ventana

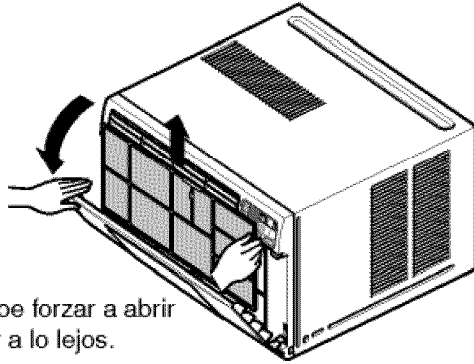
Apague el aire acondicionado, desconecte el cordón eléctrico del toma corriente, remueva la cerradura del marco y los tornillos instalados en la parte superior e inferior de los paneles, y guárdelos para reinstalación. Cierre los paneles. Manteniendo el aire acondicionado fuertemente, levante el marco de la ventana, y cuidadosamente, incline el aire acondicionado hacia atrás, botando cualquier agua condensada. Deslice el aire acondicionado 1" a la derecha, luego levántelo de la ventana y remuévale la banda del marco de la ventana.

Asegúrese de drenar TODO el condensado del aparato de aire acondicionado. Si no lo hace, podría salirse mientras transporta el aparato, ensuciando, con el consiguiente peligro de resbalones. Este simple paso le ahorrará tiempo de limpieza y hará de su lugar un entorno más seguro.

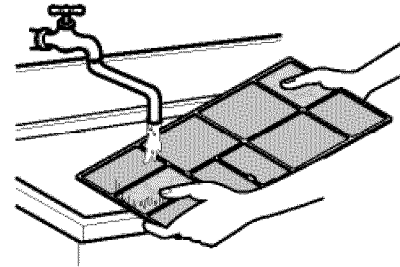
Mantenimiento y servicio

Filtro de Aire

Revise por lo menos dos veces al mes si no es necesario limpiar el filtro de aire. Las partículas detenidas se pueden acumular en el filtro impidiendo el flujo del aire, limitando el rendimiento de enfriamiento y causando la acumulación de hielo en el evaporador. Proceder de la limpieza del filtro de aire:



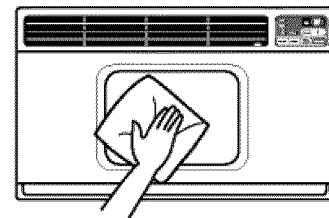
No debe forzar a abrir o abrir a lo lejos.



1. Levante la rejilla de entrada
2. Saque el filtro de aire de la rejilla delantera sacándolo ligeramente hacia arriba.
3. Lave el filtro con agua tibia de temperatura menor de 40°C (104°F).
4. Escorra ligeramente el agua sobrante del filtro y vuelva a instalarlo.

Limpieza del Aire Acondicionado

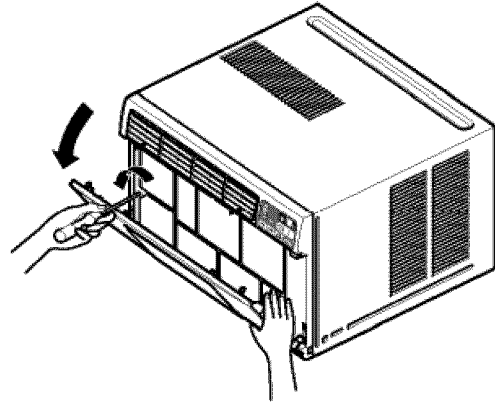
La parrilla frontal puede ser limpiada con un trapo húmedo mojado en un detergente suave. El gabinete puede ser lavado con jabón suave o detergente y agua tibia, entonces pulido Cera Liquida para aparatos. Para asegurarse una eficiencia continua, las bobinas del condensador (del lado expuesto al exterior) debe ser revisado y lavado periódicamente sea por que se tranque con basura o polvo de la atmosférico.



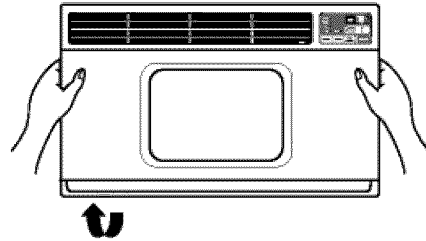
ESPAÑOL

Como Remover la Parrilla Frontal

1. Tire de la rejilla de entrada hacia delante agarrando ambas lengüetas y tire del filtro del aire hasta sacarlo.
2. Saque el tornillo que asegura la Parrilla Frontal.



3. Suelte el lado izquierdo primero. Después cuidadosamente hale desde la parte de arriba y empuje hacia la derecha. Las lengüetas están aseguradas.



Problemas y Soluciones habituales

Antes de Llamar el Servicio de Asistencia Técnica

Si tiene problemas con su ventilador, lea las informaciones siguientes y trate de resolver el problema. Si no puede encontrar la solución, desconecte el ventilador y diríjase a su suministrador.

El ventilador no funciona

1. Compruebe que el ventilador esté conectado en un enchufe correcto.
2. Revise el fusible.
3. Compruebe que la tensión no sea demasiado alta o baja.

Al ajustarse el enfriamiento, el aire no parece frío lo suficiente

1. Revise si los ajustes de la temperatura son correctos
2. Revise si el filtro de aire no está atascado de polvo. En el caso de que sí, cambie el filtro.
3. Compruebe que afuera no haya un obstáculo del flujo de aire y si entre la parte trasera del ventilador y la pared o la barrera haya espacio libre de por lo menos 1 metro (20").
4. Cierre todas las puertas y ventanas y compruebe que no haya una fuente de calor en la habitación.



Antes de llamar al servicio, tenga a bien revisar la siguiente lista de problemas y sus soluciones.

El acondicionador de aire está funcionando normalmente cuando:

- Escucha un sonido metálico. Lo causa el agua que recoge el condensador en días lluviosos o en condiciones de mucha humedad. Esta característica está diseñada para ayudar a quitar la humedad en el aire y mejorar la capacidad de enfriamiento.
Consulte la sección del Ventilador de extracción en la página 45.
- Oye un clic en el termostato. Lo causa el ciclo del compresor que comienza y se detiene.
- Ve gotear agua de la parte posterior de la unidad. El agua puede ser recogida en la bandeja de base en condiciones de mucha humedad o días de lluvia. Esta agua desborda y gotea desde la parte posterior de la unidad.
- Oye funcionar el ventilador mientras el compresor está silencioso. Esto es una característica operativa normal.

Resolución de problemas



El acondicionador de aire puede estar funcionando anormalmente cuando:

Problema	Causas posibles	Qué hacer
El aire acondicionado no enciende	■ El aire acondicionado está desconectado.	• Asegúrese que el aire acondicionado está conectado completamente a la fuente de energía.
	■ El fusible está quemado/el interruptor de energía se ha bloqueado.	• Cheque los fusibles/interruptor de la casa y reemplace los fusibles o reestablezca el interruptor de energía.
	■ Falta de energía.	• Si ocurre el apagón, dé vuelta al control del modo a apagado (Tipo Mecánico). Cuando es la energía se restaura, espere 3 minutos para recomenzar el acondicionador de aire para prevenir disparar del overlord del compresor.
	■ El dispositivo interruptor de corriente está desconectado.	• presione el botón <i>RESET</i> situado en el enchufe del cable de alimentación. Si el botón <i>RESET</i> no permanece activo, suspenda el uso del aire acondicionado y póngase en contacto con un técnico de servicio cualificado.
El aire acondicionado no enfría como debería	■ El flujo de aire está restringido.	• Asegúrese que no haya cortinas, persianas o muebles bloqueando el frente del aire acondicionado.
	■ Coloque el control de TEMPERATURA en un número más alto.	• Ajustar el control de temperatura a un número más bajo.
	■ El filtro de aire está sucio.	• Limpie el filtro por lo menos cada dos semanas. Vea la sección de instrucciones de operación.
	■ El cuarto aún está caliente.	• Cuando usted enciende el aire acondicionado debe esperar un momento para que la habitación se enfríe.
	■ El aire frío se está escapando.	• Asegúrese que todas las salidas de aire estén cerradas para que el aire regrese.
	■ El serpentín de refrigeración se ha congelado.	• Establezca una temperatura más alta.
El aire acondicionado enfría demasiado	■ El hielo bloquea el flujo de aire y detiene el enfriamiento del cuarto.	• Elija el modo alto del ventilador High Fan o enfriado alto High Cool con el termostato en el número 1 o 2.

ESPAÑOL

*Usted puede referirse al Energy Star programa con todo detalle en www.energystar.gov.

GARANTÍA LIMITADA DEL AIRE ACONDICIONADOR LG - EE.UU.

LG Electronics Inc. reparará o sustituirá, gratuitamente, su producto si resulta defectuoso en materiales o mano de obra bajo condiciones normales de uso durante el período de garantía mencionado más abajo, efectivo a partir de la fecha de compra del producto original por parte del consumidor. Esta garantía limitada sólo es válida para el comprador original del producto, y efectiva sólo cuando este se utilice dentro de los Estados Unidos, incluyendo Alaska, Hawai, y los territorios estadounidenses.

PERÍODO DE GARANTÍA:	PROCESO DE SERVICIO:
<p>Mano de obra: 5 años desde la fecha de compra.</p> <p>Piezas: 5 años desde la fecha de compra.</p> <p>Compresor: 5 años desde la fecha de compra.</p>	<p>Llame al teléfono 1-800-243-0000 y seleccione la opción adecuada. Por favor, tenga disponible el tipo de producto (Aire acondicionado), número de modelo, número de serie, y código postal.</p> <p>La mano de obra bajo garantía cubre el coste de la Asistencia en domicilio de todas las piezas, incluyendo el compresor.</p>

ESTA GARANTÍA SE OTORGA EN SUSTITUCIÓN O EXCLUSIÓN DE TODA OTRA GARANTÍA, EXPRESA O IMPLÍCITA, INCLUYENDO SIN LIMITAR CUALQUIER GARANTÍA DE CALIDAD O IDONEIDAD CON UN PROPÓSITO CONCRETO. EN LA MEDIDA EN QUE CUALQUIER GARANTÍA IMPLÍCITA ES OBLIGADA POR LA LEY, ESTÁ LIMITADA EN DURACIÓN AL PERÍODO DE GARANTÍA YA MENCIONADO. LG NO SERÁ RESPONSABLE DE NINGÚN DAÑO RESULTANTE, INDIRECTO, O ACCIDENTAL DE NINGÚN TIPO, INCLUYENDO INGRESOS O GANANCIAS PERDIDAS, EN CONEXIÓN CON EL PRODUCTO. CIERTOS ESTADOS NO ACEPTAN LA LIMITACIÓN DE DURACIÓN DE UNA GARANTÍA IMPLÍCITA O LA EXCLUSIÓN DE DAÑOS RESULTANTES O ACCIDENTALES, POR LO QUE LAS LIMITACIONES O EXCLUSIONES MENCIONADAS PUEDEN NO SER APLICABLES EN SU CASO.

ESTA GARANTÍA LIMITADA NO SE APLICA A:

1. Las visitas de Asistencia a domicilio para entregar, recoger y/o instalar el producto, instruir o sustituir fusibles en su casa o corregir el cableado, o la corrección de reparaciones no autorizadas; y
2. Daños o problemas de funcionamiento provocados por un uso inadecuado, abuso, funcionamiento fuera de especificaciones ambientales o contrario a requisitos o precauciones en la Guía de funcionamiento, accidente, fuego, inundaciones, instalación inadecuada, fuerza mayor, modificaciones o alteraciones no autorizadas, corriente eléctrica o tensión incorrecta, o uso comercial, o usos distintos a aquellos para los que fue diseñado.
3. Por lo tanto, los costes de reparación o sustitución de un producto defectuoso deberá correr por cuenta del consumidor.

NÚMEROS DEL CENTRO INTERACTIVOS PARA CLIENTES:

Probar su cobertura por garantía	<p>Conserve su ticket y recibo de compra para probar la fecha de adquisición del producto. Deberá entregar una copia de su recibo de compra en el momento en que reciba servicio bajo garantía.</p>
Obtener asistencia del centro de asistencia autorizado más cercano, obtener asistencia de producto, cliente, o servicio	<p>Llame al 1-800-243-0000, 24 horas al día, 7 días a la semana. Seleccione la opción adecuada del menú, y tenga disponible su tipo de producto (aire acondicionado), número de modelo, número de serie, y código postal; o visite nuestro sitio Web en http://www.lgappliances.com</p>

LG ROOM AIR CONDITIONER LIMITED WARRANTY – USA

LG Electronics Inc. will repair or at its option replace, without charge, your product if it proves to be defective in material or workmanship under normal use during the warranty period set forth below, effective from the date of original consumer purchase of the product. This limited warranty is good only to the original purchaser of the product and effective only when used in the United States including Alaska, Hawaii, and U.S. Territories.

<p><u>WARRANTY PERIOD:</u></p> <p>Labor: 5 Year from the Date of Purchase.</p> <p>Parts: 5 Year from the Date of Purchase.</p> <p>Compressor: 5 Years from the Date of Purchase.</p>	<p><u>HOW SERVICE IS HANDLED:</u></p> <p>Call 1-800-243-0000 and choose the appropriate prompt. Please have product type (Room Air Conditioner), model number, serial number, and ZIP code ready.</p> <p>The warranted labor covers the cost of In-Home Service on all parts including the compressor.</p>
--	---

THIS WARRANTY IS IN LIEU OF ANY OTHER WARRANTIES, EXPRESS OR IMPLIED, INCLUDING WITHOUT LIMITATION, ANY WARRANTY OF MERCHANTABILITY OR FITNESS FOR A PARTICULAR PURPOSE. TO THE EXTENT ANY IMPLIED WARRANTY IS REQUIRED BY LAW, IT IS LIMITED IN DURATION TO THE EXPRESS WARRANTY PERIOD ABOVE. LG WILL NOT BE LIABLE FOR ANY CONSEQUENTIAL, INDIRECT, OR INCIDENTAL DAMAGES OF ANY KIND, INCLUDING LOST REVENUES OR PROFITS, IN CONNECTION WITH THE PRODUCT. SOME STATES DO NOT ALLOW LIMITATION ON HOW LONG AN IMPLIED WARRANTY LASTS OR THE EXCLUSION OF INCIDENTAL OR CONSEQUENTIAL DAMAGES, SO THE ABOVE LIMITATIONS OR EXCLUSIONS MAY NOT APPLY TO YOU.

THIS LIMITED WARRANTY DOES NOT APPLY TO:

1. Service trips to your home to deliver, pick up, and/or install the product, instruct, or replace house fuses or correct wiring, or correction of unauthorized repairs; and
2. Damages or operating problems that result from misuse, abuse, operation outside environmental specifications or contrary to the requirements or precautions in the Operating Guide, accident, vermin, fire, flood, improper installation, acts of God, unauthorized modification or alteration, incorrect electrical current or voltage, or commercial use, or use for other than intended purpose.
3. Therefore, the cost of repair or replacement of such a defective product shall be borne by the consumer.

CUSTOMER INTER-ACTIVE CENTER NUMBERS:

<p>To Prove Warranty Coverage</p>	<p>Retain your Sales Receipt to prove date of purchase. A copy of your Sales Receipt must be submitted at the time warranty service is provided.</p>
<p>To Obtain Nearest Authorized Service Center or Sales Dealer, or to Obtain Product, Customer, or Service Assistance</p>	<p>Call 1-800-243-0000, 24 hrs a day, 7 days per week. Choose the appropriate prompt from the menu, and have your product type (Room Air Conditioner), model number, serial number, and ZIP Code; or visit our website at http://www.lgappliances.com</p>