



SIMPLE MANUAL

# Mini Hi-Fi Audio

Please read this manual carefully before operating your set and retain it for future reference.  
To view the instructions of advanced features, visit <http://www.lg.com> and then download Owner's Manual. Some of the content in this manual may differ from your unit.

MODEL  
OJ98



[www.lg.com](http://www.lg.com)

**WARNING:** This product contains chemicals known to the State of California to cause cancer and birth defects or other reproductive harm. ***Wash hands after handling.***

#### **FCC Compliance Statement**

This equipment has been tested and found to comply with the limits for a Class B digital device, pursuant to Part 15 of the FCC Rules. These limits are designed to provide reasonable protection against harmful interference in a residential installation. This equipment generates, uses, and can radiate radio frequency energy and, if not installed and used in accordance with the instructions, may cause harmful interference to radio communications. However, there is no guarantee that interference will not occur in a particular installation. If this equipment does cause harmful interference to radio or television reception, which can be determined by turning the equipment off and on, the user is encouraged to try to correct the interference by one or more of the following measures:

- Reorient or relocate the receiving antenna.
- Increase the separation between the equipment and the receiver.
- Connect the equipment to an outlet on a circuit different from that to which the receiver is connected.
- Consult the dealer or an experienced radio/TV technician for help.

This device complies with part 15 of the FCC Rules. Operation is subject to the following two conditions:

(1) this device may not cause harmful interference and  
(2) this device must accept any interference received, including interference that may cause undesired operation of the device. Any changes or modifications in construction of this device which are not expressly approved by the party responsible for compliance could void the user's authority to operate the equipment.

**FCC RF Radiation Exposure Statement :** This equipment complies with FCC radiation exposure limits set forth for an uncontrolled environment. This transmitter must not be co-located or operating in conjunction with any other antenna or transmitter.

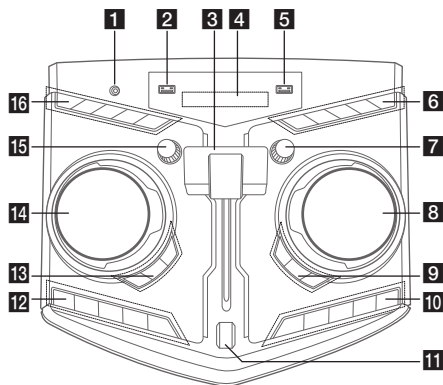
This equipment should be installed and operated with minimum distance 20 cm (7.8 inches) between the antenna and your body. Users must follow the specific operating instructions for satisfying RF exposure compliance.

#### **Responsible Party :**

LG Electronics USA, Inc.  
1000 Sylvan Ave  
Englewood Cliffs, NJ 07632  
Tel: 1-800-243-0000



## Top panel



**1** PORT (Portable), IN jack

**2** USB 1 Port  
You can play sound files by connecting the USB device.

**3** PARTY THRUSTER lever  
Slide the lever to create a party atmosphere.

**4** Display window

**5** USB 2 Port  
You can play sound files by connecting the USB device.

**6** F (Function)  
Selects the function and input source.

**R** USB REC / DEMO

- Records to USB.  
- In power off status, if you press **R** USB REC / DEMO, show demo mode.

**LIGHTING MODE**  
Selects the lighting effects.

**LIGHTING ON/OFF**  
Turns on/off the lighting effects.

**PARTY LINK**  
Press and hold to select the PARTY LINK.

**WIRELESS LINK**  
- Selects MASTER or SLAVE on WIRELESS PARTY LINK mode.  
- Enable or disable WIRELESS PARTY LINK mode.

**7** MASTER VOLUME  
Adjust speaker volume.

**8** SCRATCH / SEARCH & MULTI JOG  
- Turns clockwise or counterclockwise to make scratch sound.  
- Searches a folder or a file  
- Selects lighting mode.

**9** SEARCH  
Moves to folder or file in selection mode.

**OK**  
Selects a folder when searching a file.

**REGION EQ / BASS BLAST**  
- Chooses region equalizer  
- Press and hold to select BASS effect directly.

**10** **I<<** (Skip/Search)  
- Skips backward.  
- Searches for a section within a track/file.  
- Selects the radio stations.

**>II** (Play/Pause)  
- Starts or pauses playback.  
- Selects stereo/mono.

**>>I** (Skip/Search)  
- Skips forward.  
- Searches for a section within a track/file.  
- Selects the radio stations.

**□** (Stop)  
Stops playback or cancels DELETE function.

**△** (Open/Close)  
Opens and closes the disc tray.

**11** PARTY THRUSTER mode  
Selects PARTY THRUSTER mode.

**12** CLUB, DRUM, USER (DJ PRO)  
Selects CLUB, DRUM or USER sound effect to mix.  
(If you want to use USER, you have to register a source with "Music Flow Bluetooth" app.)

**1, 2, 3** (DJ PRO PAD)  
Press a desired sound pad.

**PARTY STARTER**  
- In power off state, this function turns on the unit with Party Kick Starter sound.  
- In power on state, this function mixes the music with Party Kick Starter sound.

**DJ LOOP**  
Selects DJ LOOP mode.  
(DJ LOOP mode can use during CD/USB playback.)

**13** USER EQ  
Selects your very own created sound effect.

**DJ EFFECT**  
Selects a desired DJ effect.

**VOCAL EFFECTS**  
Selects VOCAL EFFECTS mode.

**14 SCRATCH / LEVEL CONTROL**

- Turns clockwise or counterclockwise to make scratch sound.
- Turns clockwise or counterclockwise to control the USER EQ level.
- Adjust DJ EFFECT level.
- Selects vocal effects mode.

**15 MIC (Microphone) VOLUME**

Adjust microphone volume.

**16**  (Standby)

Turns the power on or off.

**VOICE CANCELLER**

You can enjoy this function while playing music by reducing the singer's vocal in music from various source.

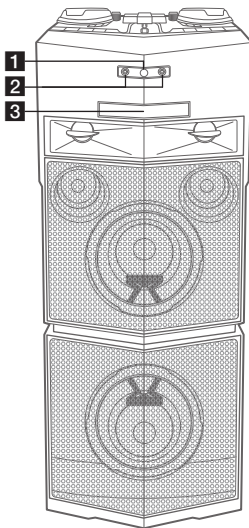
**KEY CHANGER ( b / # )**

Changes the key to suit your vocal range.

**ECHO**

Selects ECHO mode.

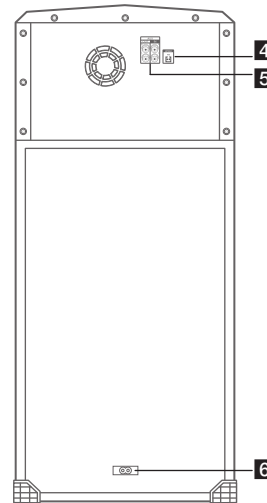
## Front panel / Rear panel




**1**  (Remote sensor)

**2**  (Microphone) 1/2 jack

**3** Disc tray



**4**  ANTENNA (FM)

**5**  AUX IN / OUT  
Connect an auxiliary device.

**6**  AC in socket

### Controller App



Download the **Music Flow Bluetooth** App to your device. (Android only)


### LG Sound Sync (Wireless)



For more information, download the online owner's manual. <http://www.lg.com>

## Additional Information

### Specifications

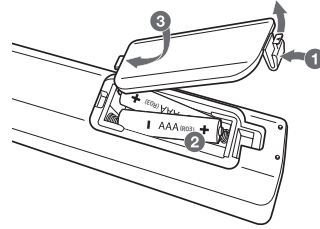
Power Requirements	Refer to the main label on the unit.
Power Consumption	Refer to the main label on the unit.
Dimensions (W x H x D)	Approx. 380 mm x 1099 mm x 400 mm (15 inch x 44.3 inch x 15.7 inch)
Bus Power Supply (USB)	5 V  500 mA
Amplifier (Total RMS output power)	1,800 W RMS

Design and specifications are subject to change without notice.

### Caution

- Connect the power cord to wall outlet directly if possible. Or when you use an extension cable, it is highly recommended to use an extension cable of 110 V / 15 A or 230 V / 15 A, otherwise the unit may not operate properly because of the lack of power supply.
- Do not overload the extension cord with excessive electrical load.

### Replacing the Batteries





**LG Customer Information Center**

1-800-243-0000	USA, Consumer
1-888-865-3026	USA, Commercial

**Register your product Online!**

[www.lg.com](http://www.lg.com)

Printed in China