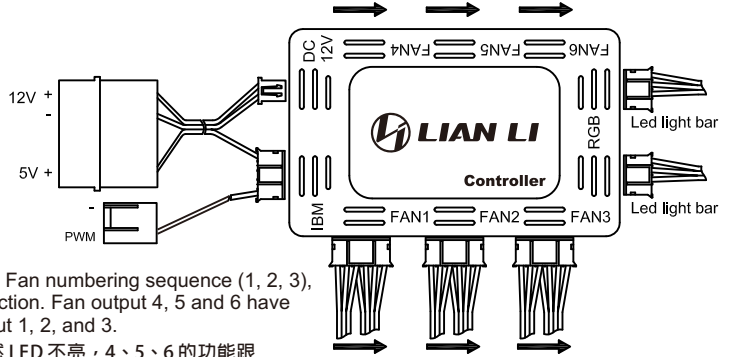


Controller User's Guide 控制器使用指南

主型號 (Model Name):
BORA120R-1
FCC ID:
2ANYX-BORA120R



Please install fan according to Fan numbering sequence (1, 2, 3), otherwise the LED will not function. Fan output 4, 5 and 6 have the same pattern as Fan output 1, 2, and 3.

請按 1、2、3 順序插上，要不然 LED 不亮，4、5、6 的功能跟 1、2、3 一樣。

Press Off button and then this button in order to enter menu mode. In menu mode, press M+ and M- to set number of addressable LEDs; press blue button to change RGB sequence. Press Off to save and exit.

按 Off 後再按此鍵進入設置菜單，這時可以按 M+ 和 M- 來調節 LED 點數，按藍色鍵可以調節 RGB 順序，設置完成按 Off 保存退出。

Press once to run all light effect
按一下為自動播放所有模式

Turn on or pause 開機/播放暫停

速度+ Speed up

速度- Slow down

Change to next light effect 模式+

Go back to previous light effect 模式-

To set single color directly 靜態單色，快捷按鈕
按下顯示對應顏色

Press and hold for 5 seconds to disconnect 1 to 1 pair up. (Only for RF version)
長按5秒，解除一對一匹配
(只針對RF版本有效)

Press and hold for 5 seconds to disconnect 1 to 1 pair up. It will also reset all setting. (Only for RF version).
長按5秒，解除一對一匹配，恢復所有遙控器通用
(只針對RF版本有效)

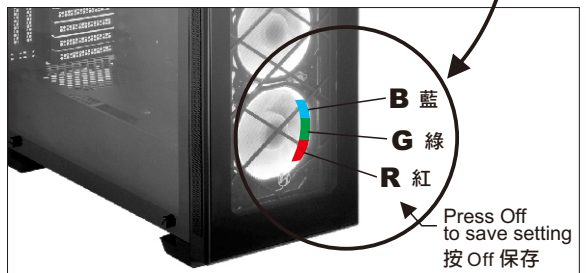
Turn Off LEDs 關機

Increase brightness 亮度+

Decrease brightness 亮度-

1. Press Off .
2. Press AUTO, the fan will prompt the three LED colors.
3. Press the blue button to adjust the order of the LED colors until the three LEDs sequence is in Red, Green and Blue.
4. Press Off to save setting.
5. Press On, then press the color button to display the color of the color button.

1. 按 Off 。
2. 按 AUTO，風扇會跳出三個燈顏色。
3. 按藍色鍵，調整燈顏色的順序，直到三個燈顏色順序為紅、綠、藍為止。
4. 按 Off 保存。
5. 按 On，再按各顏色鍵，顯示各顏色鍵的顏色。



Press Off to save setting
按 Off 保存

Distributor:

Magnell Associate, Inc. dba Newegg.com
17560 Rowland St, City of Industry, CA 91748, USA
Tel: 626. 271.1420



Controller User's Guide

控制器使用指南

FCC WARNING

This device complies with part 15 of the FCC Rules. Operation is subject to the following two conditions: (1) this device may not cause harmful interference, and (2) this device must accept any interference received, including interference that may cause undesired operation.

Any changes or modifications not expressly approved by the party responsible for compliance could void the user's authority to operate the equipment.

NOTE: This equipment has been tested and found to comply with the limits for a Class B digital device, pursuant to Part 15 of the FCC Rules. These limits are designed to provide reasonable protection against harmful interference in a residential installation. This equipment generates, uses and can radiate radio frequency energy and, if not installed and used in accordance with the instructions, may cause harmful interference to radio communications. However, there is no guarantee that interference will not occur in a particular installation.

If this equipment does cause harmful interference to radio or television reception, which can be determined by turning the equipment off and on, the user is encouraged to try to correct the interference by one or more of the following measures:

- Reorient or relocate the receiving antenna.
- Increase the separation between the equipment and receiver.
- Connect the equipment into an outlet on a circuit different from that to which the receiver is connected.
- Consult the dealer or an experienced radio/TV technician for help.

To maintain compliance with FCC's RF Exposure guidelines, This equipment should be installed and operated with minimum distance between 20cm the radiator your body: Use only the supplied antenna.

FCC ID: 2ANYX-BORA120R

Distributor:

Magnell Associate, Inc. dba Newegg.com

17560 Rowland St, City of Industry, CA 91748, USA

Tel: 626. 271.1420