

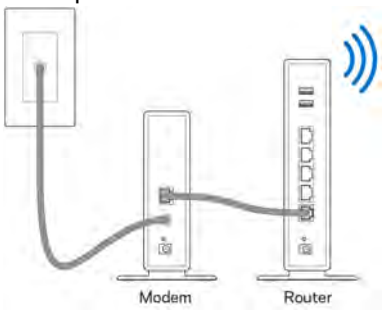
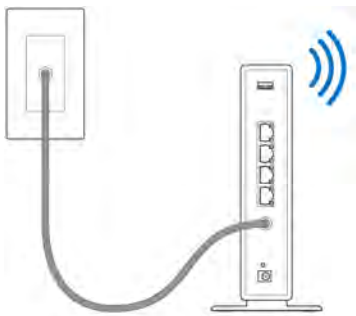
COVER

LINKSYS

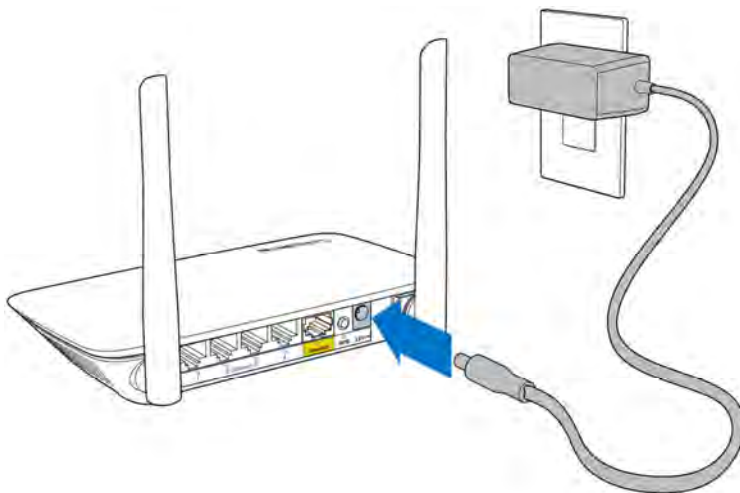
Quick Start Guide

E2500 V4
DUAL-BAND
ROUTER

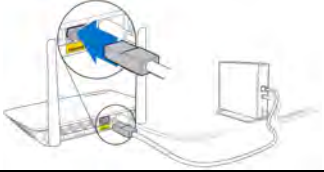
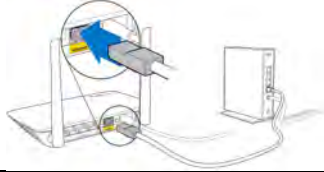
1. Where does your internet come from?

<p>A Separate Modem and Router</p>  <p>Modem Router</p>	<p>OR</p>	<p>B Modem-Router</p>  <p>Modem - Router (Gateway)</p>
<p>If you have a separate modem and router, disconnect and remove your old router.</p>		<p>If you have a modem-router, leave it connected.</p>

2. Position the antennas straight up as shown and plug the router into a power source. Make sure the power switch is in the | (on) position.



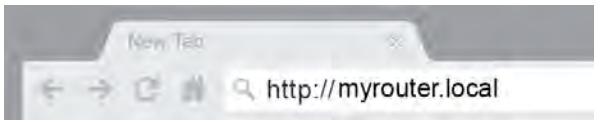
3. **Connect your new router to your modem or modem-router.**

<p>A Modem</p> 	<p>OR</p>	<p>B Modem-Router</p> 
<p>If you have a modem, plug one end of the included internet cable into the Ethernet (LAN) port on the modem.</p>		<p>If you have a modem-router, plug one end of the included internet cable into any available port.</p>

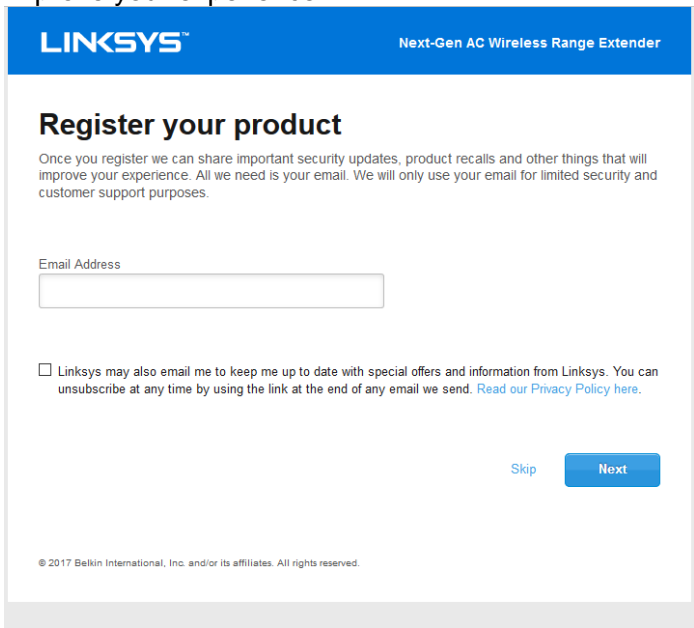
4. Connect to the secure WiFi name shown on the sticker. (You can change these details later.) Select the option to automatically connect to this network in the future. You will not have internet access until you complete router setup (see Step 5).



5. Enter <http://myrouter.local> in a web browser. Follow the on-screen instructions to complete setup. You also can enter 192.168.1.1 in a browser to start setup.



6. Once you are finished with setup, please be sure to register your router so we can keep you informed security updates, product recalls and other things that will improve your experience.



LINKSYS Next-Gen AC Wireless Range Extender

Register your product

Once you register we can share important security updates, product recalls and other things that will improve your experience. All we need is your email. We will only use your email for limited security and customer support purposes.

Email Address

Linksys may also email me to keep me up to date with special offers and information from Linksys. You can unsubscribe at any time by using the link at the end of any email we send. [Read our Privacy Policy here.](#)

[Skip](#) [Next](#)

© 2017 Belkin International, Inc. and/or its affiliates. All rights reserved.

BACK COVER

AS YOU COMPLETE SETUP, RECORD YOUR ROUTER SETTINGS HERE

2.4 GHz WiFi name (SSID)

2.4 GHz WiFi password

5 GHz WiFi name (SSID)

5 GHz WiFi password

Router password (default is "admin")

TIPS FOR SUCCESSFUL SETUP

- Check that you have a working broadband internet connection by connecting a computer directly to your modem.
- If you cannot connect to the internet after setting up your router, turn off your modem, router, and computer. Restart them in that order.
- For more tips, visit linksys.com/support/E2500.

Get help

Internet: linksys.com/support/E2500

Twitter: @LinksysCares

Phone (US/Canada): 800-326-7114 (complimentary during your warranty period)

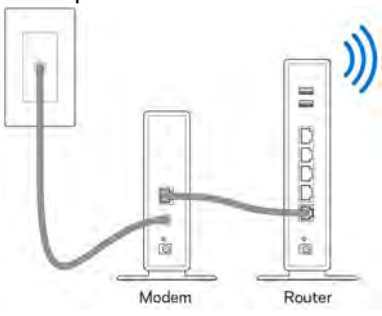
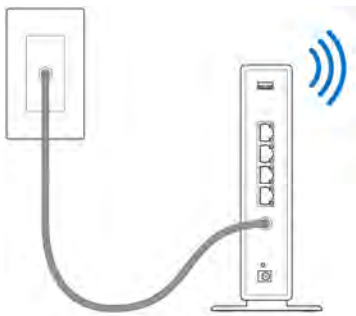
COVER

LINKSYS

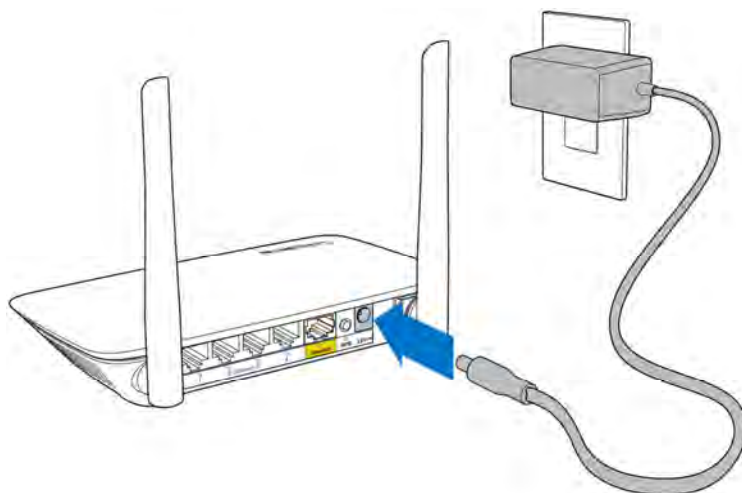
Quick Start Guide

E5300
DUAL-BAND
ROUTER

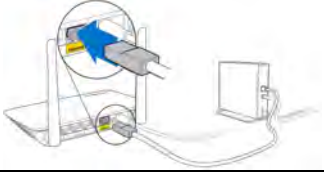
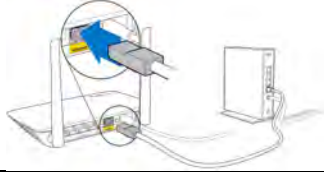
1. Where does your internet come from?

<p>A Separate Modem and Router</p>  <p>Modem Router</p>	<p>OR</p>	<p>B Modem-Router</p>  <p>Modem - Router (Gateway)</p>
<p>If you have a separate modem and router, disconnect and remove your old router.</p>		<p>If you have a modem-router, leave it connected.</p>

2. Position the antennas straight up as shown and plug the router into a power source. Make sure the power switch is in the | (on) position.



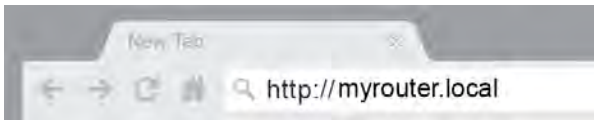
3. **Connect your new router to your modem or modem-router.**

<p>A Modem</p> 	<p>OR</p>	<p>B Modem-Router</p> 
<p>If you have a modem, plug one end of the included internet cable into the Ethernet (LAN) port on the modem.</p>		<p>If you have a modem-router, plug one end of the included internet cable into any available port.</p>

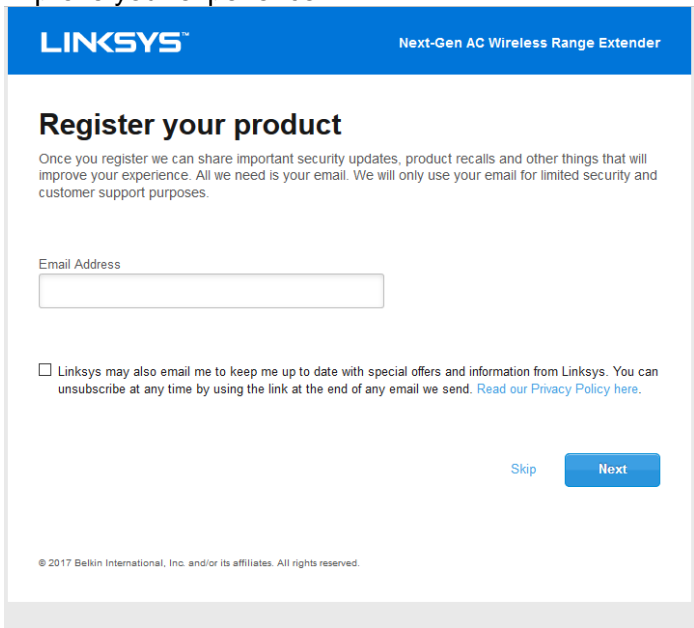
4. Connect to the secure WiFi name shown on the sticker. (You can change these details later.) Select the option to automatically connect to this network in the future. You will not have internet access until you complete router setup (see Step 5).



5. Enter <http://myrouter.local> in a web browser. Follow the on-screen instructions to complete setup. You also can enter 192.168.1.1 in a browser to start setup.



6. Once you are finished with setup, please be sure to register your router so we can keep you informed security updates, product recalls and other things that will improve your experience.



LINKSYS Next-Gen AC Wireless Range Extender

Register your product

Once you register we can share important security updates, product recalls and other things that will improve your experience. All we need is your email. We will only use your email for limited security and customer support purposes.

Email Address

Linksys may also email me to keep me up to date with special offers and information from Linksys. You can unsubscribe at any time by using the link at the end of any email we send. [Read our Privacy Policy here.](#)

[Skip](#) [Next](#)

© 2017 Belkin International, Inc. and/or its affiliates. All rights reserved.

BACK COVER

AS YOU COMPLETE SETUP, RECORD YOUR ROUTER SETTINGS HERE

2.4 GHz WiFi name (SSID)

2.4 GHz WiFi password

5 GHz WiFi name (SSID)

5 GHz WiFi password

Router password (default is "admin")

TIPS FOR SUCCESSFUL SETUP

- Check that you have a working broadband internet connection by connecting a computer directly to your modem.
- If you cannot connect to the internet after setting up your router, turn off your modem, router, and computer. Restart them in that order.
- For more tips, visit linksys.com/support/E5400.

Get help

Internet: linksys.com/support/E5400

Twitter: @LinksysCares

Phone (US/Canada): 800-326-7114 (complimentary during your warranty period)

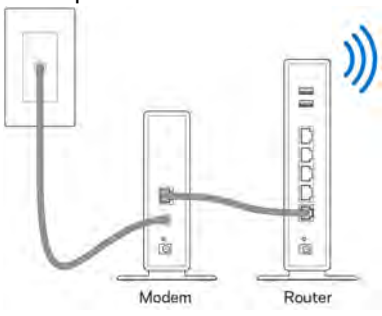
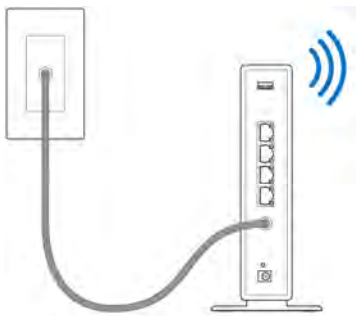
COVER

LINKSYS

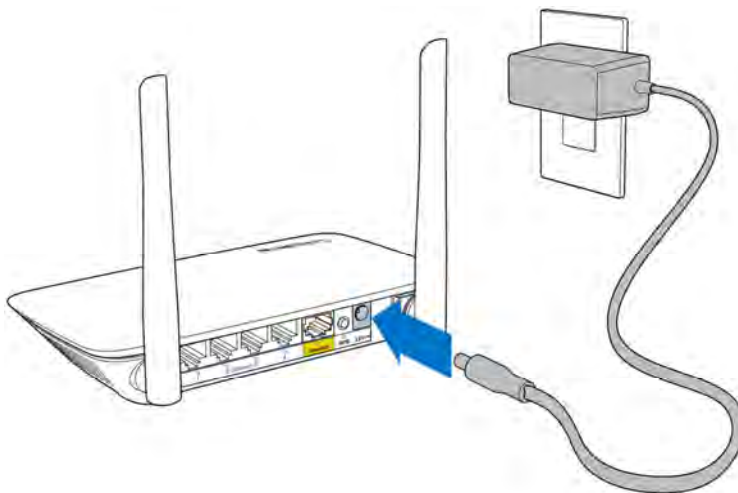
Quick Start Guide

E5350
DUAL-BAND
ROUTER

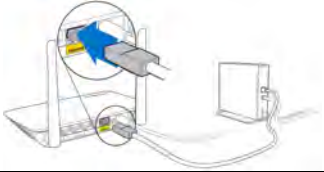
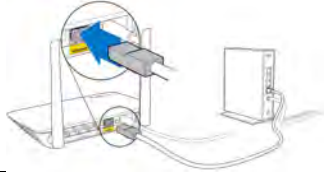
1. Where does your internet come from?

<p>A Separate Modem and Router</p>  <p>Modem Router</p>	<p>OR</p>	<p>B Modem-Router</p>  <p>Modem - Router (Gateway)</p>
<p>If you have a separate modem and router, disconnect and remove your old router.</p>		<p>If you have a modem-router, leave it connected.</p>

2. Position the antennas straight up as shown and plug the router into a power source. Make sure the power switch is in the | (on) position.



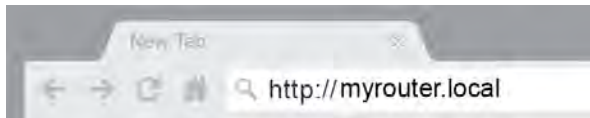
3. **Connect your new router to your modem or modem-router.**

<p>A Modem</p> 	<p>OR</p>	<p>B Modem-Router</p> 
<p>If you have a modem, plug one end of the included internet cable into the Ethernet (LAN) port on the modem.</p>		<p>If you have a modem-router, plug one end of the included internet cable into any available port.</p>

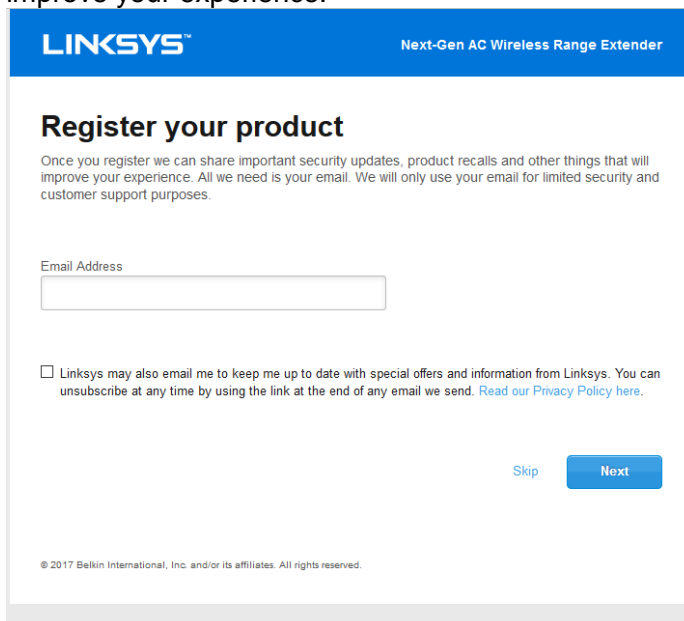
4. Connect to the secure WiFi name shown on the sticker. (You can change these details later.) Select the option to automatically connect to this network in the future. You will not have internet access until you complete router setup (see Step 5).



5. Enter <http://myrouter.local> in a web browser. Follow the on-screen instructions to complete setup. You also can enter 192.168.1.1 in a browser to start setup.



6. Once you are finished with setup, please be sure to register your router so we can keep you informed security updates, product recalls and other things that will improve your experience.



LINKSYS Next-Gen AC Wireless Range Extender

Register your product

Once you register we can share important security updates, product recalls and other things that will improve your experience. All we need is your email. We will only use your email for limited security and customer support purposes.

Email Address

Linksys may also email me to keep me up to date with special offers and information from Linksys. You can unsubscribe at any time by using the link at the end of any email we send. [Read our Privacy Policy here.](#)

[Skip](#) [Next](#)

© 2017 Belkin International, Inc. and/or its affiliates. All rights reserved.

BACK COVER

AS YOU COMPLETE SETUP, RECORD YOUR ROUTER SETTINGS HERE

2.4 GHz WiFi name (SSID)

2.4 GHz WiFi password

5 GHz WiFi name (SSID)

5 GHz WiFi password

Router password (default is "admin")

TIPS FOR SUCCESSFUL SETUP

- Check that you have a working broadband internet connection by connecting a computer directly to your modem.
- If you cannot connect to the internet after setting up your router, turn off your modem, router, and computer. Restart them in that order.
- For more tips, visit linksys.com/support/E5350.

Get help

Internet: linksys.com/support/E5350

Twitter: @LinksysCares

Phone (US/Canada): 800-326-7114 (complimentary during your warranty period)

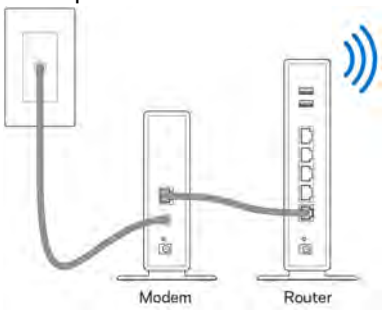
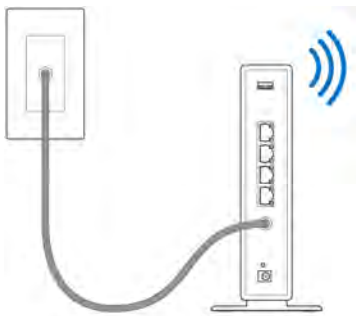
COVER

LINKSYS

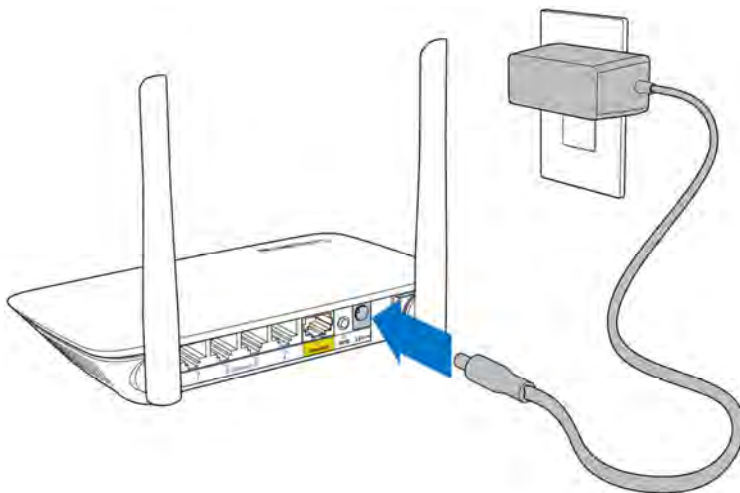
Quick Start Guide

E5400
DUAL-BAND
ROUTER

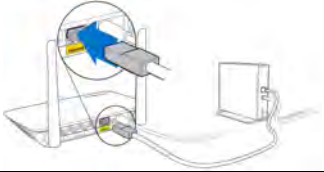
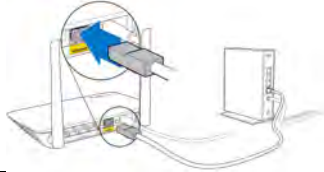
1. Where does your internet come from?

<p>A Separate Modem and Router</p>  <p>Modem Router</p>	<p>OR</p>	<p>B Modem-Router</p>  <p>Modem - Router (Gateway)</p>
<p>If you have a separate modem and router, disconnect and remove your old router.</p>		<p>If you have a modem-router, leave it connected.</p>

2. Position the antennas straight up as shown and plug the router into a power source. Make sure the power switch is in the | (on) position.



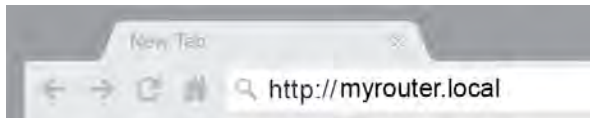
3. **Connect your new router to your modem or modem-router.**

A Modem 	OR	B Modem-Router 
If you have a modem, plug one end of the included internet cable into the Ethernet (LAN) port on the modem.		If you have a modem-router, plug one end of the included internet cable into any available port .

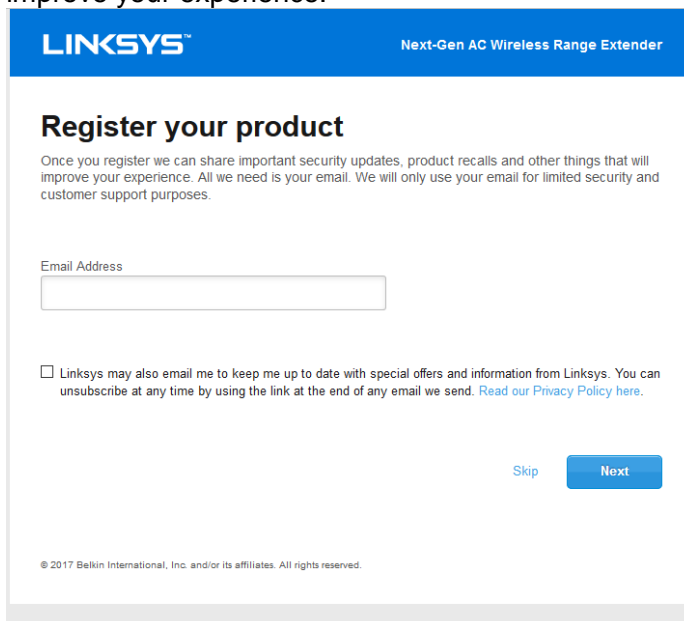
4. Connect to the secure WiFi name shown on the sticker. (You can change these details later.) Select the option to automatically connect to this network in the future. You will not have internet access until you complete router setup (see Step 5).



5. Enter <http://myrouter.local> in a web browser. Follow the on-screen instructions to complete setup. You also can enter 192.168.1.1 in a browser to start setup.



6. Once you are finished with setup, please be sure to register your router so we can keep you informed security updates, product recalls and other things that will improve your experience.



LINKSYS Next-Gen AC Wireless Range Extender

Register your product

Once you register we can share important security updates, product recalls and other things that will improve your experience. All we need is your email. We will only use your email for limited security and customer support purposes.

Email Address

Linksys may also email me to keep me up to date with special offers and information from Linksys. You can unsubscribe at any time by using the link at the end of any email we send. [Read our Privacy Policy here.](#)

[Skip](#) [Next](#)

© 2017 Belkin International, Inc. and/or its affiliates. All rights reserved.

BACK COVER

AS YOU COMPLETE SETUP, RECORD YOUR ROUTER SETTINGS HERE

2.4 GHz WiFi name (SSID)

2.4 GHz WiFi password

5 GHz WiFi name (SSID)

5 GHz WiFi password

Router password (default is "admin")

TIPS FOR SUCCESSFUL SETUP

- Check that you have a working broadband internet connection by connecting a computer directly to your modem.
- If you cannot connect to the internet after setting up your router, turn off your modem, router, and computer. Restart them in that order.
- For more tips, visit linksys.com/support/E5400.

Get help

Internet: linksys.com/support/E5400

Twitter: @LinksysCares

Phone (US/Canada): 800-326-7114 (complimentary during your warranty period)

LINKSYS®

**Regulatory
Information**

Table of Contents

Wireless Regulatory Information

FCC Statement	1
FCC Radiation Exposure Statement	1
Innovation, Science and Economic Development Canada Statement	1
Innovation, Science and Economic Development Canada Radiation Exposure Statement	1
Restrictions in the 5 GHz Band	1
Additional requirements for the band 5600-5650 MHz	1
Avis d'Innovation, Sciences et Développement économique Canada	2
Avis d'Innovation, Sciences et Développement économique Canada concernant l'exposition aux radiofréquences	2
Restrictions dans la bande 5 GHz	2
Prescriptions supplémentaires pour la bande 5600-5650 MHz	2
Wireless Disclaimer	2
Avis de non-responsabilité concernant les appareils sans fil	2
Safety Notices	2
EU Declaration of Conformity	6
National Restrictions	9
Antenna Restrictions	10
Third-Party Software or Firmware	11
EU Radiation Exposure Statement	12

WEEE Information

User Information for Consumer Products Covered by EU Directive 2012/19/EU on Waste Electric and Electronic Equipment (WEEE)	14
--	----

Wireless Regulatory Information

FCC Statement

This device complies with Part 15 of the FCC Rules . Operation is subject to the following two conditions: (1) This device may not cause harmful interference, and (2) this device must accept any interference received, including interference that may cause undesired operation.

This product has been tested and complies with the specifications for a Class B digital device, pursuant to Part 15 of the FCC Rules . These limits are designed to provide reasonable protection against harmful interference in a residential installation . This equipment generates, uses, and can radiate radio frequency energy and, if not installed and used according to the instructions, may cause harmful interference to radio communications . However, there is no guarantee that interference will not occur in a particular installation. If this equipment does cause harmful interference to radio or television reception, which is found by turning the equipment off and on, the user is encouraged to try to correct the interference by one or more of the following measures:

- Reorient or relocate the receiving antenna
- Increase the separation between the equipment and devices
- Connect the equipment to an outlet other than the receiver's
- Consult a dealer or an experienced radio/TV technician for assistance

FCC Caution: Any changes or modifications not expressly approved by the party responsible for compliance could void the user's authority to operate this equipment.

2.4GHz operation of this product in the USA is firmware- limited to channels 1 through 11.

The device for the band 5150-5250 MHz is only for indoor usage to reduce the potential for harmful interference to co-channel mobile satellite systems.

FCC Radiation Exposure Statement

This equipment complies with FCC radiation exposure limits set forth for an uncontrolled environment . This equipment should be installed and operated with minimum distance 35 cm between the radiator and your body.

This device and it's antennas(s) must not be co-located or operating in conjunction with any other antenna or transmitter except in accordance with FCC multi- transmitter product procedures.

Innovation, Science and Economic Development Canada Statement

CAN ICES-3 (B)/NMB-3 (B)

This device contains licence-exempt transmitter(s)/ receiver(s) that comply with Innovation, Science and Economic Development Canada's licence-exempt

RSS(s) . Operation is subject to the following two conditions: (1) This device may not cause interference, and (2) this device must accept any interference, including interference that may cause undesired operation of the device.

For product available in the USA/Canada market, only channel 1~11 can be operated. Selection of other channels is not possible.

The device could automatically discontinue transmission in case of absence of information to transmit, or operational failure . Note that this is not intended to prohibit transmission of control or signaling information or those of repetitive codes where required by the technology.

The maximum antenna gain permitted for devices in the band 5725-5850 MHz shall be such that the equipment still complies with the e.i.r.p. limits specified for point-to-point and non-point-to-point operation as appropriate.

le gain maximal d'antenne permis (pour les dispositifs utilisant la bande 5725-5850 MHz) doit se conformer à la limite de p.i.r.e. spécifiée pour l'exploitation point à point et non point à point, selon le cas.

Innovation, Science and Economic Development Canada Radiation Exposure Statement

This equipment complies with ISED radiation exposure limits set forth for an uncontrolled environment . This equipment should be installed and operated with minimum distance 35 cm between the radiator & your body.

This device and it's antennas(s) must not be co-located or operating in conjunction with any other antenna or transmitter except in accordance with ISED multi- transmitter product procedures.

Restrictions in the 5 GHz Band

The device for the band 5150-5250 MHz is only for indoor usage to reduce potential for harmful interference to co- channel mobile satellite systems.

This device has been designed to operate with an antenna having a maximum gain of 2.53 dBi and 3.37 dBi at 2.4 GHz and 5 GHz respectively . Antenna having a higher gain is strictly prohibited per regulations of ISED. The required antenna impedance is 50 ohms.

The maximum antenna gain (Please see the table below) permitted (for devices in the bands 5250-5350 MHz and 5470-5725 MHz) to comply with the EIRP limit and because high power radars are allocated as primary users (meaning they have priority) in 5250-5350 MHz and 5650-5850 MHz, these radars could cause interference and/or damage to license exempt LAN devices.

No.	Antenna Type	For 2.4 GHz Gain (dBi)	For 5GHz Gain (dBi)	Antenna Connector
1	Dipole	2.52	3.37	I-PEX
2	Dipole	2.53	3.28	I-PEX

Additional requirements for the band 5600-5650 MHz

Until further notice, devices subject to this Section shall not be capable of transmitting in the band 5600-5650 MHz, so that Environment Canada weather radars operating in this band are protected.

Avis d'Innovation, Sciences et Développement économique Canada

CAN ICES-3 (B)/NMB-3 (B).

Cet appareil contient des émetteurs / récepteurs exempts de licence qui sont conformes au (x) RSS (s) exempts de licence d'Innovation, Sciences et Développement économique Canada. L'exploitation est autorisée seulement aux conditions suivantes : (1) l'appareil ne doit pas produire de brouillage, et (2) il doit accepter tout brouillage radioélectrique reçu, même si ce brouillage est susceptible de compromettre le fonctionnement du dispositif.

Pour les produits disponibles sur le marché aux États-Unis et au Canada, seuls les canaux de 1 à 11 peuvent être utilisés. La sélection d'autres canaux n'est pas possible.

Le dispositif peut automatiquement cesser d'émettre en cas d'absence d'informations à transmettre, ou à cause d'une défaillance technique. Notez que l'objet n'est pas d'interdire la transmission des informations de contrôle ou de signalisation ou l'utilisation de codes répétitifs lorsque requis par la technologie.

Avis d'Innovation, Sciences et Développement économique Canada concernant l'exposition aux radiofréquences

Ce matériel est conforme aux limites établies par ISED en matière d'exposition aux radiofréquences dans un environnement non contrôlé. Ce matériel doit être installé et utilisé à une distance d'au moins 35 cm entre l'antenne et le corps de l'utilisateur.

Cet appareil et son (ses) antenne (s) ne doivent pas être situés à proximité ou fonctionner en association avec une autre antenne ou un autre émetteur autre qu'en respectant les procédures d'Industrie Canada relatives au fonctionnement des dispositifs multi-émetteurs.

Restrictions dans la bande 5 GHz

L'appareil pour la bande de 5150 à 5250 MHz est conçu pour usage à l'intérieur seulement afin de réduire le potentiel d'interférences pour les systèmes mobiles par satellite qui utilisent le même canal.

Cet appareil a été conçu pour fonctionner avec une antenne ayant un gain maximum de 2,53 dBi et 3,37 dBi sur les bandes 2.4Ghz et 5 Ghz respectivement. L'utilisation d'antenne ayant un gain supérieur est strictement interdit par le règlement ISED. L'impédance d'antenne requise est 50 ohms.

Le gain maximum autorisé (voir le tableau ci-dessous pour les appareils dans les bandes 5250-5350 Mhz et 5470-5725 Mhz) pour être conforme avec la limite de PIRE et parce que les radars de haute puissance sont les utilisateurs primaires (c.à.d qu'ils sont prioritaires) dans les bandes 5250-5350 Mhz et 5650-5850 Mhz, ces radars peuvent causer des interférences et endommager les appareils réseaux RL n'ayant pas obtenu de licence.

N°	Type d'antenne	Gain en 2.4 GHz (dBi)	Gain en 5 GHz (dBi)	Connecteur d'antenne
1	Dipôle	2,52	3,37	S.o.
2	Dipôle	2,53	3,28	S.o.

Prescriptions supplémentaires pour la bande 5600-5650 MHz

Jusqu'à nouvel ordre, les appareils faisant l'objet de la présente section ne doivent pas transmettre dans la bande 5600-5650 MHz, afin que les radars météorologiques d'Environnement Canada fonctionnant dans cette bande soient protégés.

Wireless Disclaimer

The maximum performance for wireless is derived from IEEE Standard 802.11 specifications. Actual performance can vary, including lower wireless network capacity, data throughput rate, range and coverage. Performance depends on many factors, conditions and variables, including distance from the access point, volume of network traffic, building materials and construction, operating system used, mix of wireless products used, interference and other adverse conditions.

Avis de non-responsabilité concernant les appareils sans fil

Les performances maximales pour les réseaux sans fil sont tirées des spécifications de la norme IEEE 802.11. Les performances réelles peuvent varier, notamment en fonction de la capacité du réseau sans fil, du débit de la transmission de données, de la portée et de la couverture. Les performances dépendent de facteurs, conditions et variables multiples, en particulier de la distance par rapport au point d'accès, du volume du trafic réseau, des matériaux utilisés dans le bâtiment et du type de construction, du système d'exploitation et de la combinaison de produits sans fil utilisés, des interférences et de toute autre condition défavorable.

Safety Notices

English



WARNING: Do not use this product near water, for example, in a wet basement or near a swimming pool.



WARNING: Avoid using this product during an electrical storm. There may be a remote risk of electric shock from lightning.



WARNING: The power adaptor is the equipment's disconnection device. The power outlet must be located nearby the equipment and its access must be easy.

العربية [Arabic]

،عمال من بقربها منتجلا اهتء حمستخذ ال :ريتحذ
بقربها وأ بطر سفلي قبطا في،ل مثال سبيل على
سباحة حمام من



ة.ي عد عل افص عال اعناأ منتجلا ام اتخدس اتجنب :ريتحذ
ينء ابكهر ءم لصد ض للعر بعيد خطر لك هنا نكو قد
ق.برلا بسبب



اذه يف ل صرفلا داةأ وه ءق اظلا ئءءام :ريتحذ
ءق اظلا منفذ من بقربها زجهال اءضو يجب. زجهال
إليه الوصول بسهل بحيث



Български [Bulgarian]



ПРЕДУПРЕЖДЕНИЕ: Не използвайте устройството в близост до вода, напр. във влажно мазе или до плувен басейн.



ПРЕДУПРЕЖДЕНИЕ: Избягвайте да използвате това устройство по време на буря. Възможно е да съществува несъществен риск от електрически удар от светкавица.



ПРЕДУПРЕЖДЕНИЕ: Изключването на оборудването се извършва чрез захранващия адаптер. Електрическият контакт трябва да бъде разположен в близост до оборудването лесно достъпен.

Hrvatski [Croatian]



UPOZORENJE: Ne koristite proizvod u blizini vode, primjerice u mokrom podrumu ili blizu bazena.



UPOZORENJE: Izbjegavajte koristiti proizvod tijekom grmljavinskog vremena. Postoji rizik od strujnog udara zbog grmljavine.



UPOZORENJE: Prilagodnik za napajanje je uređaj za isključivanje opreme. Strujna utičnica mora biti smještena blizu opreme i mora biti lako dostupna.

Česky [Czech]



UPOZORNĚNÍ: Nepoužívejte tento produkt v blízkosti vody, například ve vlhkých sklepních podlažích nebo v blízkosti bazénů.



UPOZORNĚNÍ: Nepoužívejte produkt při bouřkách. Existuje malé riziko úrazu elektrickým proudem, který může způsobit blesk.



UPOZORNĚNÍ: Napájecí adaptér je vypínacím zařízením produktu. Elektrická zásuvka se musí nacházet v blízkosti zařízení a musí být snadno dostupná.

Dansk [Danish]



ADVARSEL: Brug ikke dette produkt i nærheden af vand, f.eks. i en våd kælder eller i nærheden af en swimmingpool.



ADVARSEL: Undlad at bruge produktet i tordenvejr. Der kan være en lille risiko for elektrisk stød som følge af lynnedslag.



ADVARSEL: Strømforsyningen er udstyrets afkoblingsenhed. Strømuttaget skal placeres tæt ved udstyret og være let tilgængelig.

Deutsch [German]



WARNUNG: Verwenden Sie dieses Gerät nicht in der Nähe von Wasser, wie z. B. in einem feuchten Keller oder in der Nähe eines Schwimmbeckens.



WARNUNG: Vermeiden Sie die Verwendung dieses Produkts während eines Gewitters. Es besteht eine geringe Gefahr eines Stromschlags durch Blitzschlag.



WARNUNG: Die Verbindung des Geräts kann über das Netzteil getrennt werden. Die Steckdose muss sich in der Nähe des Geräts befinden und leicht zugänglich sein.

Ελληνική]Greek[



ΠΡΟΕΙΔΟΠΟΙΗΣΗ: Μην χρησιμοποιείτε αυτό το προϊόν κοντά σε νερό, π.χ. σε υπόγειο με υγρασία ή κοντά σε πισίνα.



ΠΡΟΕΙΔΟΠΟΙΗΣΗ: Αποφύγετε τη χρήση του προϊόντος κατά τη διάρκεια ηλεκτρικής καταιγίδας. Υπάρχει μικρός κίνδυνος ηλεκτροπληξίας λόγω κεραυνού.



ΠΡΟΕΙΔΟΠΟΙΗΣΗ: Το τροφοδοτικό είναι η διάταξη αποσύνδεσης της συσκευής. Η πρίζα ρεύματος θα πρέπει να βρίσκεται κοντά στον εξοπλισμό και θα πρέπει να υπάρχει εύκολη πρόσβαση σε αυτήν.

Español]Spanish[



ADVERTENCIA: No use este producto cerca del agua, por ejemplo en un sótano húmedo o cerca de una piscina.



ADVERTENCIA: Evite usar este producto durante una tormenta eléctrica. Puede existir el riesgo remoto de que se produzca una descarga eléctrica producida por un rayo.



ADVERTENCIA: El adaptador de alimentación es el dispositivo de desconexión del equipo. La base de toma de corriente debe estar cerca del equipo y ser fácilmente accesible.

Suomi]Finnish[



VAROITUS: Älä käytä tuotetta veden lähellä, esimerkiksi kosteassa kellarissa tai uima-altaan läheisyydessä.



VAROITUS: Vältä tuotteen käyttämistä ukkosmyrskyn aikana. Salama saattaa aiheuttaa sähköiskun.



VAROITUS: Verkkoalaite on tämän laitteen virrankatkaisulaite. Pistorasian on oltava lähellä laitetta ja helposti käytettävissä.

Français]French[



AVERTISSEMENT : N'utilisez pas ce produit à proximité d'une source d'eau, sur un sol humide ou près d'une piscine, par exemple.



AVERTISSEMENT : Evitez d'utiliser ce produit pendant un orage. La foudre pourrait provoquer un choc électrique.



AVERTISSEMENT : L'adaptateur de courant secteur est le dispositif de sectionnement de l'équipement. La prise de courant secteur doit être située à proximité de l'équipement et facile d'accès.

Magyar]Hungarian[



FIGYELMEZTETÉS: Ne használja a terméket víz közelében, például nedves pincében vagy úszómedence mellett.



FIGYELMEZTETÉS: Kerülje az eszköz használatát elektromos vihar esetén. A villámlás áramütést okozhat.



FIGYELMEZTETÉS: A hálózati adapter a berendezés lekapcsoló eszköze. A tápfeszültség-aljzatnak a berendezés közelében és könnyen elérhető helyen kell lennie.

Italiano]Italian[



AVVERTENZA: Non utilizzare il prodotto in prossimità d'acqua, ad esempio in un seminterrato umido o nei pressi di una piscina.



AVVERTENZA: Non usare il prodotto durante un temporale. Potrebbe esserci un rischio remoto di scosse elettriche causate dai fulmini.



AVVERTENZA: L'adattatore di corrente è il dispositivo di spegnimento dell'apparecchiatura. La presa di corrente deve trovarsi vicino all'apparecchiatura, in un punto di facile accesso.

Nederlands]Dutch[

WAARSCHUWING: Gebruik dit product niet in de buurt van water, bijvoorbeeld in een vochtige kelder of bij een zwembad.



WAARSCHUWING: Gebruik het product bij voorkeur niet als het onweert. Er is mogelijk een zeer klein risico op een elektrische schok als gevolg van blikseminslag.



WAARSCHUWING: Via de voedingsadapter kan de verbinding van het apparaat verbroken worden. Het stopcontact moet zich in de buurt van het apparaat bevinden en makkelijk toegankelijk zijn.

Norsk]Norwegian[

ADVARSEL: Ikke bruk dette produktet i nærheten av vann, for eksempel i en våt kjeller eller nær et svømmebasseng.



ADVARSEL: Unngå å bruke dette produktet under tordenvær. Lynnedslag kan innebære en risiko for elektrisk støt.



ADVARSEL: Strømadapteren er utstyrets frakoblingsmetode. Strømuttaket må være plassert i nærheten av utstyret og tilgangen til dette må være enkel.

Polski]Polish[

UWAGA: Nie używać tego produktu w pobliżu wody, np. w wilgotnej piwnicy lub niedaleko basenu.



UWAGA: Nie korzystać z tego produktu podczas burzy. Istnieje pewne niewielkie ryzyko porażenia prądem w wyniku wyładowania elektrycznego.



UWAGA: Elementem odłączającym tego urządzenia jest zasilacz. Gniazdo zasilania musi znajdować się w pobliżu urządzenia i być łatwo dostępne.

Português]Portuguese[

AVISO: Não utilize este produto próximo de água, por exemplo, numa cave húmida ou perto de uma piscina.



AVISO: Evite utilizar este produto durante uma trovoadas. Existe a possibilidade, embora remota, de apanhar um choque elétrico provocado por trovoadas.



AVISO: O transformador é o aparelho de desligar do equipamento. A tomada de corrente elétrica tem de ficar junto ao equipamento e ser de fácil acesso.

Română]Romanian[

AVERTISMENT: Nu utilizați acest produs în apropierea apei, de exemplu într-un subsol umed sau lângă o piscină.



AVERTISMENT: Evitați utilizarea acestui produs în timpul unei furtuni cu descărcări electrice. Poate exista un pericol minor de electrocutare cauzată de fulgere.



AVERTISMENT: Adaptorul de putere este dispozitivul pentru deconectare al echipamentului. Priza trebuie să fie aproape de echipament iar accesul la aceasta trebuie să fie facil.

Русский]Russian[

ПРЕДУПРЕЖДЕНИЕ: Запрещается использовать продукт в непосредственной близости от воды, например, во влажном подвале или рядом с плавательным бассейном.



ПРЕДУПРЕЖДЕНИЕ: Не рекомендуется использовать продукт во время грозы. Возможен риск электрического удара от грозы.



ПРЕДУПРЕЖДЕНИЕ: Электроадаптер предназначен для отключения устройства. Розетка должна находиться рядом с устройством и доступ к розетке должен быть свободным.

Srpski]Serbian[

UPOZORENJE: Nemojte da koristite ovaj proizvod u blizini vode, na primer, u vlažnom podrumu ili u blizini bazena.



UPOZORENJE: Izbegavajte upotrebu ovog proizvoda tokom grmljavine. Postoji mali rizik od električnog udara groma.



UPOZORENJE: Strujni adapter je uređaj za prekidanje dovoda struje do opreme. Strujna utičnica mora da se nalazi u blizini opreme i pristup njoj mora biti jednostavan.

Slovenčina]Slovak[

UPOZORNENIE: Nepoužívajte toto zariadenie v blízkosti vody, napr. vo vlhkom suteréne alebo v blízkosti bazéna.



UPOZORNENIE: Nepoužívajte toto zariadenie počas búrky. Hrozí určité riziko úrazu elektrickým prúdom zapríčinenébleskom.



UPOZORNENIE: Napájací adaptér sa používa aj na vypnutie zariadenia. Elektrická zásuvka sa musí nachádzať v blízkosti zariadenia a musí byť dobre prístupná.

Slovenščina]Slovenian[

OPOZORILO: Izdelka ne uporabljajte blizu vode, na primer v vlažni kleti ali blizu bazena.



OPOZORILO: Izogibajte se uporabi izdelka med nevihtami. Obstaja lahko majhno tveganje električnega udara zaradi strele.



OPOZORILO: Električni polnilnik je odklopna naprava opreme. Električna vtičnica mora biti blizu opreme in enostavno dostopna.

Svenska]Swedish[

WARNING! : Använd inte produkten i närheten av vatten, t.ex. i en fuktig källare eller nära en simbassäng.



WARNING! : Undvik att använda produkten under åskväder . Det finns en liten risk för elstötter vid blixtnedslag .



WARNING! : Strömadaptorn är strömbrytare för utrustningen . Eluttaget måste finnas i närheten av utrustningen och vara lätt att komma åt.

Türkçe]Turkish[

UYARI: Bu ürünü, nemli bodrum veya yüzme havuzunu kenarı gibi su yakını yerlerde kullanmayın .



UYARI: Gök gürültülü ve sağanak yağışlı havalarda bu ürünü kullanmaktan kaçının . Uzak bir olasılık olsa da yıldırım nedeniyle elektrik çarptabilir .



UYARI: Güç Adaptörü, cihazın bağlantısını kesmek için kullanılır . Elektrik prizi, cihazın yakınında, kolay erişilebilir bir konumda olmalıdır .

EU Declaration of Conformity

Български]Bulgarian[С настоящото Belkin International Inc . декларира, че радио оборудването е в съответствие с изискванията на Директива 2014/53/ЕС .
Česky]Czech[Společnost Belkin International, Inc. tímto prohlašuje, že rádiové vybavení je v souladu se směrnicí 2014/53/EU .
Dansk]Danish[Belkin International, Inc. erklærer, at dette radioudstyr overholder direktiv 2014/53/EU .
Deutsch]German[Hiermit erklärt Belkin International, Inc., dass das Funkgerät der Richtlinie 2014/53/EU entspricht .
Eesti]Estonian[Käesolevaga teatab Belkin International Inc., et raadioseade on kooskõlas 2014/53/EL direktiiviga .
English:	Hereby, Belkin International, Inc. declares that the radio equipment is in compliance with Directive 2014/53/EU .
Español]Spanish[Belkin International Inc. declara por la presente que el equipamiento de radio cumple con las Directivas 2014/53/UE .
Ελληνική]Greek[Με την παρούσα, η Belkin International, Inc. Δηλώνει πως ο ραδιοφωνικός εξοπλισμός συμμορφώνεται με την Οδηγία 2014/53/ΕΕ.
Français]French[Nous, Belkin International, Inc., déclarons que l'équipement radio est en conformité avec la directive 2014/53/UE .

Íslenska]Icelandic[:	Belkin International, Inc . lýsir því hér með yfirað þráðlausifjarskiptabúnaðurinn í samræmi við tilskipun 2014/53/ESB .
Italiano]Italian[:	Belkin International, Inc . dichiara che l'attrezzatura radio è conforme alla Direttiva 2014/53/UE .
Latviski]Latvian[:	Ar šo uzņēmums Belkin International, Inc . paziņo, ka radio aprīkojums atbilst Direktīvas 2014/53/ES prasībām .
Lietuvių]Lithuanian[:	Šiuo dokumentu „Belkin International, Inc .“ pareiškia, kad radijo įranga atitinka direktyvą 2014/53/ES .
Nederlands]Dutch[:	Hierbij verklaart Belkin International, Inc. dat de radioapparatuur voldoet aan richtlijn 2014/53/EU .
Malti]Maltese[:	B'dan, Belkin International Inc, tidikjara li t-tagħmir tar-radju huwa f'konformità ma' Direttiva 2014/53/UE
Magyar]Hungarian[:	A Belkin International, Inc. ezennel kijelenti, hogy a rádióberendezés megfelel a 2014/53/EU irányelvnek.
Norsk]Norwegian[:	Belkin International, Inc . erklærer herved at radioutstyret er i overholdelse med direktiv 2014/53/EU .
Polski]Polish[:	Niniejszym, Belkin International, Inc . oświadcza, że urządzenie bezprzewodowe jest zgodne z Dyrektywą 2014/53/UE .
Português]Portuguese[:	Pelo presente documento a Belkin International, Inc. declara que o equipamento de rádio está em conformidade com a Diretiva 2014/53/UE .
Română]Romanian[:	Prin prezenta, Belkin International, Inc. declară că echipamentul radio este în conformitate cu Directiva 2014/53/UE .
Slovensko]Slovenian[:	Mi, podjetje Belkin International, Inc., izjavljamo, da je radijska oprema v skladu z Direktivo 2014/53/EU .
Slovensky]Slovak[:	Spoločnosť Belkin International, Inc., vyhlasuje, že toto rádiové zariadenie vyhovuje požiadavkám smernice 2014/53/EÚ .
Suomi]Finnish[:	Belkin International, Inc . vakuuttaa täten, että tämä radiolaitte noudattaa direktiivin 2014/53/EU vaatimuksia .
Svenska]Swedish[:	Belkin International Inc, intygar härmed att radioutrustningen uppfyller kraven i direktiv 2014/53/EU .
Български]Bulgarian[:	Пълният текст на ЕС декларацията за съответствие можете да намерите на следния интернет адрес: http://www.linksys.com/DoC/
Česky]Czech[:	Úplný text prohlášení o shodě pro EU najdete na následující internetové adrese: http://www.linksys.com/DoC/
Dansk]Danish[:	Den fulde tekst til EU-overensstemmelseserklæringen findes på følgende webadresse: http://www.linksys.com/DoC/
Deutsch]German[:	Die gesamte EU-Konformitätserklärung ist auf folgender Website abrufbar: http://www.linksys.com/DoC/

Eesti]Estonian[:	ELi vastavusdeklaratsiooni terviktekst on kättesaadav järgmisel veebiaadressil: http://www.linksys.com/DoC/
English:	The full text of the EU Declaration of Conformity is available at the following internet address: http://www.linksys.com/DoC/
Español]Spanish[:	El texto completo de la Declaración de Conformidad de la UE está disponible en la siguiente dirección de internet: http://www.linksys.com/DoC/
Ελληνική]Greek[:	Το πλήρες κείμενο της Δήλωσης Συμμόρφωσης ΕΕ είναι διαθέσιμο στην παρακάτω διεύθυνση internet: http://www.linksys.com/DoC/
Français]French[:	Le texte complet de la Déclaration de conformité européenne est disponible sur le site Web suivant : http://www.linksys.com/DoC/
Íslenska]Icelandic[:	ESB-samræmisýfirlýsinguna má finna í heild sinni á eftirfarandi vefslóð: http://www.linksys.com/DoC/
Italiano]Italian[:	Il testo completo della Dichiarazione di conformità UE è disponibile al seguente indirizzo Internet: http://www.linksys.com/DoC/
Latviski]Latvian[:	ES Atbilstības deklarācijas pilns teksts ir pieejams šādā interneta adresē: http://www.linksys.com/DoC/
Lietuvių]Lithuanian[:	Visas ES atitikties deklaracijos tekstas pateikiamas šiuo interneto adresu: http://www.linksys.com/DoC/
Nederlands]Dutch[:	De volledige EU-conformiteitsverklaring vindt u hier: http://www.linksys.com/DoC/
Malti]Maltese[:	It-test sħiħ tad-dikjarazzjoni tal-U.E. ta' Konformità jinsab fuq l-indirizz tal-internet li ġej: http://www.linksys.com/DoC/
Magyar]Hungarian[:	Az EU-megfelelőségi nyilatkozat teljes szövege a következő internetcímen érhető el: http://www.linksys.com/DoC/
Norsk]Norwegian[:	Den fullstendige teksten med EU-konformitetserklæringen er tilgjengelig på følgende nettadresse: http://www.linksys.com/DoC/
Polski]Polish[:	Pełny tekst deklaracji zgodności UE jest dostępny w witrynie pod następującym adresem: http://www.linksys.com/DoC/
Português]Portuguese[:	O texto integral da Declaração de Conformidade UE está disponível no seguinte endereço na internet: http://www.linksys.com/DoC/
Română]Romanian[:	Textul complet al Declarației de conformitate UE este disponibil la următoarea adresă online: http://www.linksys.com/DoC/
Slovensko]Slovenian[:	Celotno besedilo EU-izjave o skladnosti najdete na naslednjem spletnem naslovu: http://www.linksys.com/DoC/
Slovensky]Slovak[:	Celý text vyhlásenia o zhode EÚ je dostupný na nasledujúcej internetovej adrese: http://www.linksys.com/DoC/
Suomi]Finnish[:	EU-vaatimusten mukaisuusvaatimusten tekstin kokonaisuudessaan on luettavissa seuraavassa Internet-osoitteessa: http://www.linksys.com/DoC/
Svenska]Swedish[:	Den fullständiga texten för EU-försäkran om överensstämmelse finns tillgänglig på följande internetadress: http://www.linksys.com/DoC/

Belkin Ltd. (UK) c/o Belkin BV
Herikerbergweg 74-108, 1101 CM, Amsterdam Z.O. The Netherlands

Български [Bulgarian]:	Работните честотни ленти и ограничението за максимална предавана мощност са посочени по-долу: 2400–2484,5 MHz (20 dBm) 5150–5250,0 MHz (23 dBm) 5250–5350,0 MHz (23 dBm) 5470–5725,0 MHz (30 dBm)
Česky [Czech]:	Pásmo pracovních frekvencí a limity maximálního přenášeného výkonu jsou následující: 2400 - 2484,5 MHz (20 dBm) 5150 - 5250,0 MHz (23 dBm) 5250 - 5350,0 MHz (23 dBm) 5470 - 5725,0 MHz (30 dBm)
Dansk [Danish]:	De anvendte frekvensområder og maksimumgrænsen for transmitteret effekt ses nedenfor: 2400-2484,5 MHz (20 dBm) 5150-5250,0 MHz (23 dBm) 5250-5350,0 MHz (23 dBm) 5470-5725,0 MHz (30 dBm)
Deutsch [German]:	Dies sind die Frequenzbänder mit dem jeweils maximalen Leistungspegel: 2400 - 2484,5 MHz (20 dBm) 5150 - 5250,0 MHz (23 dBm) 5250 - 5350,0 MHz (23 dBm) 5470 - 5725,0 MHz (30 dBm)
Eesti [Estonian]:	Kasutamise sagedusalad ja maksimaalne edastatav võimsuspäärang on toodud allpool: 2400 – 2484,5 MHz (20 dBm) 5150 – 5250 MHz (23 dBm) 5250 – 5350 MHz (23 dBm) 5470 – 5725 MHz (30 dBm)
English:	The operating frequency bands and the maximum transmitted power limit are listed below: 2400 - 2484.5 MHz (20 dBm) 5150 - 5250.0 MHz (23 dBm) 5250 - 5350.0 MHz (23 dBm) 5470 - 5725.0 MHz (30 dBm)
Español [Spanish]:	Las bandas de frecuencia operativas y el límite de corriente máxima transmitida se incluyen a continuación: 2400 - 2484,5 MHz (20 dBm) 5150 - 5250,0 MHz (23 dBm) 5250 - 5350,0 MHz (23 dBm) 5470 - 5725,0 MHz (30 dBm)
Ελληνική [Greek]:	Οι ζώνες συχνότητων λειτουργίας και το όριο μέγιστης ισχύος εκπομπής αναφέρονται παρακάτω: 2400 - 2484,5 MHz (20 dBm) 5150 - 5250,0 MHz (23 dBm) 5250 - 5350,0 MHz (23 dBm) 5470 - 5725,0 MHz (30 dBm)

Français [French]:	Les bandes de fréquences d'exploitation et le niveau maximal de puissance transmise sont listés ci-dessous: 2 400 - 2 484,5 MHz (20 dBm) 5 150 MHz - 5 250,0 MHz (23 dBm) 5 250 MHz - 5 350,0 MHz (23 dBm) 5 470 MHz - 5 725,0 MHz (30 dBm)
Íslenska [Icelandic]:	Tíðnisvið vinnslu og hámarksafviðmiðunarmörk sendingar eru skráð hér að neðan: 2400–2484,5 MHz (20 dBm) 5150–5250,0 MHz (23 dBm) 5250–5350,0 MHz (23 dBm) 5470–5725,0 MHz (30 dBm)
Italiano [Italian]:	Qui di seguito sono riportate le bande di frequenza operativa e il limite massimo di alimentazione trasmessa: 2400 - 2484,5 MHz (20 dBm) 5150 - 5250,0 MHz (23 dBm) 5250 - 5350,0 MHz (23 dBm) 5470 - 5725,0 MHz (30 dBm)
Latviski [Latvian]:	Darba frekvences joslas un maksimālā raidīšanas jauda ir norādīta zemāk: 2400-2484,5 MHz (20 dBm) 5150-5250,0 MHz (23 dBm) 5250-5350,0 MHz (23 dBm) 5470-5725,0 MHz (30 dBm)
Lietuvių [Lithuanian]:	Veikimo dažnio juostos ir didžiausios perduodamos galios riba pateikiamos toliau: 2400–2484,5 MHz (20 dBm) 5150–5250,0 MHz (23 dBm) 5250–5350,0 MHz (23 dBm) 5470–5725,0 MHz (30 dBm)
Nederlands [Dutch]:	De frequentiebanden waarop dit apparaat werkt en de maximale zendkracht vindt u hieronder: 2400 - 2484,5 MHz: 20 dBm 5150 - 5250 MHz: 23 dBm 5250 - 5350 MHz: 23 dBm 5470 - 5725 MHz: 30 dBm
Malti [Maltese]:	Il-bands operattivi ta' frekwenza u l-limitu ta' enerġija massima trasmessa huma mnížżlin hawn taht: 2400 - 2484.5 MHz (20 dBm) 5150 - 5250.0 MHz (23 dBm) 5250 - 5350.0 MHz (23 dBm) 5470 - 5725.0 MHz (30 dBm)
Magyar [Hungarian]:	A működési frekvenciasávok és a maximális átvitt teljesítménykorlátok az alábbi listában láthatóak: 2400–2484,5 MHz (20 dBm) 5150–5250,0 MHz (23 dBm) 5250–5350,0 MHz (23 dBm) 5470–5725,0 MHz (30 dBm)
Norsk [Norwegian]:	Driftsfrekvensbåndene og maksimalt overført strømgrense er oppført under: 2400 - 2484,5 MHz (20 dBm) 5150 - 5250,0 MHz (23 dBm) 5250 - 5350,0 MHz (23 dBm) 5470 - 5725,0 MHz (30 dBm)


Polski [Polish]:	Zakresy częstotliwości roboczych i maksymalny limit mocy przekazywanej są wymienione niżej: 2400–2484,5 MHz (20 dBm) 5150–5250,0 MHz (23 dBm) 5250–5350,0 MHz (23 dBm) 5470–5725,0 MHz (30 dBm)
Português [Portuguese]:	As bandas de frequência de operação e os respetivos limites de potência emitida estão listados abaixo: 2400 - 2484,5 MHz (20 dBm) 5150 - 5250,0 MHz (23 dBm) 5250-5350,0 MHz (23 dBm) 5470-5725,0 MHz (30 dBm)
Română [Romanian]:	Benzile de frecvență de funcționare și limita maximă de putere transmisă sunt prezentate mai jos: 2400 - 2484,5 MHz (20 dBm) 5150 - 5250,0 MHz (23 dBm) 5250 - 5350,0 MHz (23 dBm) 5470 - 5725,0 MHz (30 dBm)
Slovensko [Slovenian]:	Spodaj so navedeni obratovalni frekvenčni pasovi in največja oddajana moč: 2400 - 2484,5 MHz (20 dBm) 5150 - 5250,0 MHz (23 dBm) 5250 - 5350,0 MHz (23 dBm) 5470 - 5725,0 MHz (30 dBm)
Slovensky [Slovak]:	Prevádzkové frekvenčné pásma a maximálny limit prenosového výkonu sú uvedené d'alej: 2400 - 2484,5 MHz (20 dBm) 5150 - 5250,0 MHz (23 dBm) 5250 - 5350,0 MHz (23 dBm) 5470 - 5725,0 MHz (30 dBm)
Suomi [Finnish]:	Toimintataajuusalueet ja enimmäissiirtotehon raja on lueteltu alla: 2 400–2 484,5 MHz (20 dBm) 5 150–5 250,0 MHz (23 dBm) 5 250–5 350,0 MHz (23 dBm) 5 470–5 725,0 MHz (30 dBm)
Svenska [Swedish]:	De frekvensband som används och deras maximala sändareffekt listas nedan. 2400 - 2484,5 MHz (20 dBm) 5150 - 5250 MHz (23 dBm) 5250 - 5350 MHz (23 dBm) 5470 - 5725 MHz (30 dBm)

National Restrictions

Български [Bulgarian]:	Национални ограничения Внимание: За това устройство важи ограничение за използване само на закрито при работа в лентата 5150–5350 MHz за посочените по-долу държави от ЕС:
Česky [Czech]:	Místní omezení Upozornění: V následujících zemích EU je toto zařízení je určeno výhradně k použití v interiéru při provozu v rozsahu 5150 - 5350 MHz:

Dansk [Danish]:	Nationale restriktioner OBS: Denne enhed må kun anvendes indendørs ved anvendelse inden for 5150-5350 MHz i nedenstående EU-lande:
Deutsch [German]:	Nationale Beschränkungen Warnung: In folgenden EU-Ländern darf dieses Gerät im Frequenzband 5150 - 5350 MHz nur in Innenräumen verwendet werden:
Eesti [Estonian]:	Riiklikud piirangud Ettevaatus! Käesolev seade on mõeldud kasutamiseks sisetingimustes ja ainult 5150 - 5350 MHz juures allpool loetletud ELi riikides:
English:	National Restrictions Caution: This device is restricted to indoor use only when operating in 5150 - 5350 MHz for below EU countries:
Español [Spanish]:	Restricciones nacionales Precaución: En los siguientes países de la UE el uso de este dispositivo está restringido a interiores si se utiliza entre 5150 y 5350 MHz:
Ελληνική [Greek]:	Εθνικοί περιορισμοί Προσοχή: Υπάρχει περιορισμός χρήσης αυτής της συσκευής μόνο σε εσωτερικό χώρο κατά τη λειτουργία στο εύρος 5150 - 5350 MHz για τις παρακάτω χώρες της ΕΕ:
Français [French]:	Restrictions nationales Avertissement : Usage interne uniquement si l'appareil utilise les bandes de fréquences 5 150 MHz - 5 350 MHz dans les pays européens indiqués ci-dessous :
Íslenska [Icelandic]:	Innlendar takmarkanir Varúð: Þetta tæki má aðeins nota innanhúss þegar unnið er við 5150–5350 MHz í eftirfarandi Evrópusambandslöndum:
Italiano [Italian]:	Restrizioni valide nei singoli Paesi Attenzione: Quando la frequenza è impostata su valori compresi nell'intervallo 5150 - 5350 MHz, il presente dispositivo deve essere utilizzato esclusivamente in luoghi al coperto nei seguenti Paesi dell'Unione Europea:
Latviski [Latvian]:	Valsts ierobežojumi Uzmanību! Ierīces lietošana ir ierobežota iekšējās telpās tikai lietojot 5150-5350 MHz frekvencēs šādās ES valstīs:
Lietuvių [Lithuanian]:	Nacionaliniai ribojimai Dėmesio: ši įrenginį galima naudoti tik patalpoje, esant 5150–5350 MHz, toliau nurodytose ES šalyse:

Nederlands]Dutch[:	Nationale beperkingen Waarschuwing: Bij gebruik van de frequenties 5150 tot 5350 MHz mag dit apparaat in de volgende landen uitsluitend binnenshuis gebruikt worden:
Malti]Maltese[:	Restrizzjonijiet nazzjonali Attenzjoni: Dan it-tagħmir hu ristrett biex jintuża għewwa biss waqt mħaddem fuq 5150 – 5350 MHz għal pajjizi tal-UE li ġejjin:
Magyar]Hungarian[:	Országok szerinti korlátozások Vigyázat: Az eszköz kizárólag csak beltéri használatra engedélyezett a 5150–5350 MHz frekvenciasávban történő működés esetén az alábbi, az EU-tagországokban:
Norsk]Norwegian[:	Nasjonale begrensninger Forsiktig: For følgende EU-land er denne enheten begrenset til bruk bare innendørs og frekvensområdet 5150-5350 MHz:
Polski]Polish[:	Ograniczenia krajowe Ostrzeżenie: To urządzenie jest przeznaczone wyłącznie do użytku w pomieszczeniach tylko wtedy, gdy pracuje w zakresie częstotliwości 5150–5350 MHz w następujących krajach UE:
Português]Portuguese[:	Restrições nacionais Cuidado: Este equipamento está restrito a utilização apenas em interiores quando operar nas frequências 5150-5350 MHz nos países da UE abaixo listados:
Română]Romanian[:	Restricții naționale Atenție: Acest dispozitiv este restricționat la utilizarea numai în spații interioare la funcționarea în intervalul 5150 - 5350 MHz pentru următoarele țări UE:
Slovensko]Slovenian[:	Nacionalne omejitve Pozor: Ta naprava je omejena samo na notranjo uporabo, če se jo v spodaj navedenih državah EU uporablja na 5150-5350 MHz:
Slovensky]Slovak[:	Vnútroštátne obmedzenia Upozornenie: Ak sa toto zariadenie prevádzkuje v pásme 5150 – 5350 MHz, smie sa používať výhradne vnútri v týchto štátoch EÚ:
Suomi]Finnish[:	Kansalliset rajoitukset Huomio: Tämän laitteen käyttö on rajoitettu vain sisäkäyttöön 5 150–5 350 MHz:n taajuudella seuraavissa EU-maissa:
Svenska]Swedish[:	Nationella begränsningar Varning! Enheten är begränsad till inomhusbruk om den används med 5150 - 5350 MHz i följande EU-länder:

				
AT	BE	BG	CZ	DK
EE	FR	DE	IS	IE
IT	EL	ES	CY	LV
LI	LT	LU	HU	MT
NL	NO	PL	PT	RO
SI	SK	TR	FI	SE
CH	UK	HR		

Antenna Restrictions

Български]Bulgarian[:	Ограничения за антените Този продукт е предназначен за използване със стандартна, вградена или специална (външна) антена(и), която се доставя заедно с оборудването .
Česky]Czech[:	Omezení týkající se antény Tento produkt je určen pro použití se standardní, integrovanou nebo vyhrazenou (externí) anténou, se kterou byl dodán.
Dansk]Danish[:	Restriktioner for antenner Dette produkt er designet til brug med en eller flere standard, integrerede eller dedikerede (eksterne) antenner, der leveres sammen med udstyret .
Deutsch]German[:	Beschränkungen zur Antenne Dieses Produkt wurde für die Verwendung mit der im Lieferumfang enthaltenen standardmäßigen, integrierten bzw . externen (speziell für diesen Zweck vorgesehenen) Antenne entwickelt .
Eesti]Estonian[:	Antenni piirangud Käesolev toode on loodud kasutamiseks koos komplekti kuuluvastandardse, sisseehitatud või spetsiaalse (välise) antenniga/antennidega.
English:	Antenna Restrictions This product is designed for use with the standard, integral or dedicated (external) antenna(s) that is/are shipped together with the equipment.
Español]Spanish[:	Restricciones de antena Este producto está diseñado para su uso con las antenas estándar, integrales o exclusivas (externas) incluidas con el equipo.
Ελληνική]Greek[:	Περιορισμοί κεραιών Το παρόν προϊόν έχει σχεδιαστεί για χρήση με την τυπική, ενσωματωμένη ή αποκλειστική (εξωτερική) κεραία ή κεραίες που συνοδεύουν τον εξοπλισμό.
Français]French[:	Restrictions d'antenne Ce produit est conçu pour une utilisation avec une ou plusieurs antennes standard, intégrées ou dédiées (externes) livrées avec l'équipement.

Íslenska]Icelandic[:	Loftnetstakmarkanir Þessi vara er hönnuð fyrir notkun með hefðbundnu, innbyggðu eða sérhæfðu (ytra) loftneti/loftnetum sem fylgir/fylgja búnaðinum .
Italiano]Italian[:	Restrizioni per le antenne Il prodotto è stato progettato per l'uso con le antenne standard, integrate o dedicate (esterne), fornite con l'apparecchiatura.
Latviski]Latvian[:	Antenas ierobežojumi Šo izstrādājumu paredzēts lietot kopā ar standartā, integrālu vai speciālu (ārējo) antenu, kas tiek piegādāta kopā ar aprīkojumu .
Lietuvių]Lithuanian[:	Antenos ribojimai Šis gaminys yra sukurtas naudoti su standartine (-ėmis), įmontuota (-omis) ar specialia (-iomis) antena (-omis), kuri (-ios) pristatoma (-os) kartu su įranga .
Nederlands]Dutch[:	Antennebepalingen Dit product is bedoeld voor gebruik met de standaard, integrale of speciale (externe) antenne(s) die bij het product wordt/worden geleverd .
Malti]Maltese[:	Restrizzjonijiet tal-Antenna Dan il-prodott hu intenzjonat għal użuta' antenna/antenni standard, integrali jew iddedikata/i (esterna/i) li hi/huma mibghuta/bil-baħar flimkien mat-tagħmir .
Magyar]Hungarian[:	Antennára vonatkozó korlátozások A terméket a normál beépített vagy hozzá való (külső) antennával történő üzemeltetésre tervezték, amelyet a készülékkel együtt forgalmaznak .
Norsk]Norwegian[:	Antenna Restrictions Dette produktet er beregnet for bruk med standard, integrerte eller dedikerte (eksterne) antenner som sendes sammen med utstyret .
Polski]Polish[:	Ograniczenia dotyczące anteny Produktu należy używać razem ze standardową, zintegrowaną lub dedykowaną (zewnętrzna), anteną (antenami), dołączoną do sprzętu .
Português]Portuguese[:	Restrições de antena Este produto foi concebido para ser utilizado com a(s) antena(s) padrão, integral(ais) ou dedicada(s) (externa(s)) fornecida(s) juntamente com o equipamento .
Română]Romanian]	Restricții legate de antenă Acest produs este conceput pentru a fi utilizat cu o antenă sau antene standard, integrate sau separate (externe), livrate împreună cu echipamentul.
Slovensko]Slovenian[:	Omejitve za anteno Ta izdelek je predviden za uporabo s standardno, vgrajeno ali dodeljeno (zunanjo) anteno/-ami, dostavljen/-imi skupaj z opremo .
Slovensky]Slovak[:	Obmedzenia týkajúce sa antén Tento produkt je určený na používanie so štandardnou, integrovanou alebo samostatnou (externou) anténou (resp . anténami), ktorá sa dodáva spolu so zariadením .

Suomi]Finnish[:	Antennirajoitukset Tämä laite on tarkoitettu käytettäväksi yhdessä laitteen mukana toimitettavan vakioantennin, integroidun antennin tai erillisen (ulkaisen) antennin kanssa .
Svenska]Swedish[:	Antennbegränsningar Produkten är utformad för användning med den medföljande inbyggda eller externa antennen .

Third-Party Software or Firmware

Български]Bulgarian]	Софтуер или фирмуер от други производители Използването на софтуер или фирмуер, който не се поддържа/не се предоставя от продукти на Linksys, може да доведе до загуба на съответствието на оборудването с нормативните изисквания .
Česky]Czech[:	Software a firmware třetích stran Použití softwaru nebo firmwaru, který není podporován produkty Linksys, může způsobit, že produkt již nebude splňovat legislativní a regulační požadavky .
Dansk]Danish[:	Tredjepartssoftware eller -firmware Brug af software eller firmware, der ikke understøttes/leveres af Linksys-produkter kan medføre, at udstyret ikke længere er i overensstemmelse med lovkravene .
Deutsch]German[:	Soft- und Firmware von Drittanbietern Die Verwendung von Software oder Firmware, die nicht von Linksys-Produkten zur Verfügung gestellt oder unterstützt wird, kann zur Aufhebung der Produktkonformität mit bestehenden Richtlinien führen .
Eesti]Estonian[:	Kolmanda osapoolle tarkvara või püsivara Linksys'e toodete poolt mittetoetatud / -pakutud tarkvara ja püsivara kasutamise võib põhjustada seadme nõuetele mittevastavust .
English:	Third-Party Software or Firmware The use of software or firmware not supported/provided by Linksys products may result that the equipment is no longer compliant with the regulatory requirements .
Español]Spanish[:	Software o firmware de terceros El uso de software o firmware incompatible o de un fabricante distinto de Linksys puede provocar que el equipo deje de cumplir los requisitos normativos .
Ελληνική]Greek[:	Λογισμικό ή υλικολογισμικό τρίτων Η χρήση λογισμικού ή υλικολογισμικού που δεν υποστηρίζονται/παρέχονται σε προϊόντα της Linksys ενδέχεται να οδηγήσει σε κατάργηση της συμμόρφωσης του εξοπλισμού με τις κανονιστικές απαιτήσεις.
Français]French[:	Logiciel ou micrologiciel tiers L'utilisation d'un logiciel ou d'un micrologiciel non pris en charge/non fourni par Linksys peut se traduire par une non-conformité de l'équipement aux réglementations en vigueur .

Íslenska]Icelandic[:	Hugbúnaður eða fastbúnaður þriðja aðila Notkun hugbúnaðar eða fastbúnaðar sem ekki er studdur af eða kemur ekki frá Linksys getur valdið því að búnaðurinn uppfylli ekki lengur lög og reglugerðir.
Italiano]Italian[:	Software o firmware di terzi L'utilizzo di software o firmware non supportato o non fornito con i prodotti Linksys potrebbe causare l'annullamento della conformità dell'apparecchiatura con i requisiti delle normative.
Latviski]Latvian[:	Trešās puses programmatūra vai programmaparatūra Lietojojot programmatūru vai programmaparatūru, ko Linksys izstrādājumi neatbalsta/kas netiek nodrošināta, iespējams, ka aprikojums vairs neatbilst regulatorajām prasībām.
Lietuvių]Lithuanian[:	Trečiųjų šalių programinė ar aparatinė įranga Nepalaikomos arsu „Linksys“ gaminiai nepateiktos programinės ar aparatinės įrangos naudojimas gali lemti, kad įranga daugiau neatitiks reguliavimo reikalavimų.
Nederlands]Dutch[:	Software of firmware van derden Het gebruik van software of firmware die niet door Linksys-producten wordt ondersteund of door Linksys wordt verstrekt kan ertoe leiden dat de apparaten niet meervoldoen aan de van toepassing zijnde regelgeving.
Malti]Maltese[:	Software jew Firmware ta' partijiet terzi L-użu ta' software jew firmware li mhux issaportjat/ipprovdut minn prodotti Linksys jista' jikkawża li t-tagħmir ma' jkunx iktar konformi mal-htigijiet regulatorji.
Magyar]Hungarian[:	Más cégek szoftverei és eszközszoftverei A Linksys által nem támogatott/nem a Linksys termékekkel szállított szoftver vagy firmware használatának hatására előfordulhat, hogy a termék már nem felel meg a szabályozási követelmények.
Norsk]Norwegian[:	Tredjeparts programvare eller fastvare Bruken av programvare eller fastvare som ikke støttes av Linksys-produkter, kan føre til at utstyret ikke lenger overholder de regulatoriske kravene.
Polski]Polish[:	Oprogramowanie i oprogramowanie sprzętowe innych producentów W przypadku korzystania z firmware lub oprogramowania, które nie jest dostarczone wraz z produktami Linksys lub nie jest z nimi kompatybilne, istnieje ryzyko, że urządzenie przestanie spełniać wymagania regulacyjne.
Português]Portuguese[:	Software ou firmware de terceiros O uso de software ou firmware não suportado/ fornecido pelos produtos Linksys pode resultar em que o equipamento deixe de estar em conformidade com os requisitos regulamentares.
Română]Romanian[:	Software de la terți sau Firmware Utilizarea unui software sau firmware care nu este acceptat de produsele Linksys sau care nu este furnizat cu acestea poate face ca echipamentul să nu mai fie conform cu cerințele de reglementare.

Slovensko]Slovenian[:	Programska oprema ali vdelana programska opreme tretje osebe Uporaba programske opreme ali vdelane programske opreme, ki je izdelki Linksys ne podpirajo/podjetje Linksys ni odobrilo, lahko vodi do prenehanja skladnosti opreme z regulativnimi zahtevami.
Slovensky]Slovak[:	Softvér alebo firmvér tretích strán Použitie softvérových alebo firmvérových produktov nepodporovaných/ neposkytovaných spoločnosťou Linksys môže spôsobiť, že zariadenie nebude spĺňať regulačné požiadavky.
Suomi]Finnish[:	Muiden valmistajien ohjelmistot tai laiteohjelmistot Muiden kuin Linksysin tukemien/toimittamien ohjelmistojen tai laiteohjelmistojen käyttäminen voi aiheuttaa sen, ettei laite enää ole säädösten vaatimusten mukainen.
Svenska]Swedish[:	Programvara eller fast programvara från tredje part Användningen av programvara eller fast programvara som inte stöds/tillhandahålls av Linksys kan leda till att utrustningen inte längre uppfyller gällande lag/regelkrav.

EU Radiation Exposure Statement

Български]Bulgarian[:	Декларация относно спазването на правилата на ЕС за излагането на радиочестотни излъчвания Това оборудване съответства на ограниченията на ЕС за излагане на радиочестотни излъчвания, зададени за неконтролирана среда. Това оборудване трябва да бъде монтирано и използвано така, че разстоянието между предавателя и тялото ви да бъде минимум 35 cm.
Česky]Czech[:	Prohlášení k vystavení elektromagnetickému záření (EU) Toto zařízení splňuje normy EU stanovené pro případ vystavení elektromagnetickému záření v nekontrolovaném prostředí. Zařízení by mělo být instalováno a provozováno ve vzdálenosti alespoň 35 cm mezi zdrojem záření a vaším tělem.
Dansk]Danish[:	EU-erklæring vedr. strålingseksponering Dette udstyr overholder EU's grænser for strålingseksponering, som anført for ukontrollerede miljøer. Dette udstyr bør installeres og anvendes med mindst 35 cm afstand mellem strålingskilden og brugerens krop.
Deutsch]German[:	EU-Bestimmungen zur Freisetzung gefährlicher Strahlung Dieses Gerät erfüllt die EU-Bestimmungen zur Freisetzung gefährlicher Strahlung in einer unkontrollierten Umgebung. Dieses Gerät sollte so installiert und betrieben werden, dass der Abstand zwischen dem Strahler und Personen mindestens 35cm beträgt.

Eesti]Estonian[:	ELi kiirgusnormide deklaratsioon Käesolev seade vastab ELi kiirgusnormidele sätestatud piirangutele kontrollimatus keskkonnas. Käesolev seade tuleb paigaldada jaseada võib kasutada vaid juhul, kui radiaatori jakeha vahele jääb minimaalselt 35 cm.
English:	EU Radiation Exposure Statement This equipment complies with EU radiation exposure limits set forth for an uncontrolled environment. This equipment should be installed and operated with minimum distance 35cm between the radiator and your body.
Español]Spanish[:	Declaración de la UE sobre la exposición a la radiación Este equipo cumple con los límites de exposición a la radiación establecidos por la UE y fijados para un entorno no controlado. Este equipo debe estar instalado y ser utilizado a una distancia mínima de 35 cm entre el emisor de radiación y el cuerpo del usuario.
Ελληνική]Greek[:	Επισήμανση της Ευρωπαϊκής Ένωσης (ΕΕ) για έκθεση σε ακτινοβολία Αυτό το ρεοεπιμοός συμμορφώνεται με τα όρια έκθεσης σε ακτινοβολία που ορίζει η ΕΕ για μη ελεγχόμενα περιβάλλον. Η συσκευή αυτή πρέπει να εγκατασταθεί και να λειτουργεί με απόσταση τουλάχιστον 35 εκ. μεταξύ του πομπού και του σώματός σας.
Français]French[:	Déclaration européenne sur la radio-exposition Cet équipement est conforme aux limites d'exposition européennes aux radiofréquences établies pour un environnement non contrôlé. Cet équipement doit être placé et utilisé de sorte que l'émetteur se trouve dans un rayon inférieur à 35 cm entre ce dernier et votre corps.
Íslenska]Icelandic[:	Yfirlýsing ESB um váhrif vegna geislunar Þessi búnaður samræmist við miðunarmörkum ESB vegna váhrifa af völdum geislunar fyrir eftirlitslaust umhverfi. Þennan búnað ætti að setja upp og nota á þann hátt að það sé minnst 35 cm fjarlægð á milli geislagjafans og líkama þíns.
Italiano]Italian[:	Dichiarazione sull'esposizione alle radiazioni UE Questo dispositivo è conforme ai limiti di esposizione alle radiazioni stabiliti dall'Unione Europea per un ambiente non controllato. Questo dispositivo deve essere installato e utilizzato mantenendosi a una distanza minima di 35 cm dal trasmettitore.
Latviski]Latvian[:	ES pārskats par pakļaušanu starojuma iedarbībai Šis aprīkojums atbilst ES pakļaušanas starojuma iedarbībai robežvērtībām, kas noteiktas nekontrolētāi videi. Šis aprīkojums jāuzstāda un ar to jāstrādā tā, lai minimālais attālums starp starotāju un Jūsu ķermeni ir 35 cm.
Lietuvių]Lithuanian[:	ES spinduliuotės poveikio pareiškimas Ši įranga atitinka nekontroliuojamai aplinkai nustatytas ES spinduliuotės poveikio ribas. Šią įrangą būtina įrengti ir naudoti bent 35 cm atstumu nuo radiatoriais ir kūno.

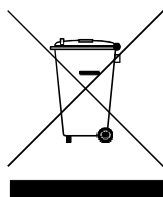
Nederlands]Dutch[:	EU-verklaring inzake stralingsblootstelling Deze apparatuur voldoet aan de EU-voorschriften betreffende grenswaarden voor blootstelling aan straling in een niet-gecontroleerde omgeving. Dit apparaat moet worden geïnstalleerd en bediend met inachtneming van een minimale afstand van 35 cm tussen de stralingsbron en uw lichaam.
Malti]Maltese[:	Dikjarazzjoni tal-UE fuq espożizzjoni għal radjazzjoni Dan it-tagħmir hu konformi mal-limiti stabbiliti mill-UE rigward l-espożizzjoni għal radjazzjoni għal ambjent mhux ikontrollat. Dan it-tagħmir għandu jkun installat u mhaddem f'distanza minima ta' 35 cm bejn ir-radjatur u gisemek.
Magyar]Hungarian[:	EU Nyilatkozat a sugárzásnak való kitettségről Ez a berendezés megfelel az EU által előírt, nem szabályozott környezet számára meghatározott sugárzási limiteknek. Az eszközt minimum 35 cm-re kell telepíteni, üzemeltetni a sugárzó forrástól és az emberi testtől.
Norsk]Norwegian[:	EU-ekklæring om strålingseksponering Dette utstyret overholder EUs gjeldende strålingseksponeringsgrenser for ukontrollerte miljøer. Dette utstyret skal installeres og betjenes med en minimum avstand på 35 cm mellom radiatoren og kroppen din.
Polski]Polish[:	Nota UE na temat narażenia na promieniowanie: Tourządzenie spełnia normy UE w zakresie ograniczeń promieniowania określone dla środowisk niekontrolowanych. Urządzenie powinno być zainstalowane i użytkowane tak, aby odległość między źródłem promieniowania a ciałem wynosiła przynajmniej 35 cm.
Português]Portuguese[:	Declaração de Exposição à Radiação da UE Este equipamento cumpre os limites da UE relativos à exposição à radiação, definidos para ambientes não controlados. Este equipamento deve ser instalado e utilizado com uma distância mínima de 35 cm entre o radiador e o corpo do utilizador.
Română]Romanian[:	Declarație legată de limitele UE privind expunerea la radiații Acest echipament este în conformitate cu limitele UE privind expunerea la radiații prevăzute pentru un mediu necontrolat. Acest echipament trebuie instalat și utilizat la o distanță minimă de 35 cm între radiator și corpul dumneavoastră.
Slovensko]Slovenian[:	Izjava o izpostavljenosti sevanju EU Ta oprema je v skladu z omejitvami izpostavljenosti sevanju EU, določenimi za nenadzorovano okolje. Opremo je treba namestiti in uporabljati vsaj 35 cm od radiatorjev in vašega telesa.
Slovensky]Slovak[:	Vyhlasenie o vystavení žiareniu podľa EÚ Toto zariadenie spĺňa požiadavky limitov vyžarovania EÚ stanovené pre nekontrolované prostredie. Toto zariadenie by sa malo nainštalovať a používať s minimálnou vzdialenosťou 35cm medzi zdrojom vyžarovania a vašim telom.

Suomi [Finnish]:	EU:n säteilylle altistumista koskeva ilmoitus Tämä laite noudattaa EU:n säteilylle altistumisrajoja, jotka on määritelty kontrolloidulle ympäristölle . Tämä laite tulisi asentaa ja sitä tulisi käyttää siten, että säteilyn lähteen jakehosiväliinjää vähintään 35cm:n väli.
Svenska [Swedish]:	EU-uttalande om strålnings exponering Denna utrustning uppfyller EU:s gränser för strålnings exponering för okontrollerade miljöer. This equipment should be installed and operated with minimum distance 35cm between the radiator and your body .

WEEE Information

User Information for Consumer Products Covered by EU Directive 2012/19/EU on Waste Electric and Electronic Equipment (WEEE)

This document contains important information for users with regards to the proper disposal and recycling of Linksys home networking products . Consumers are required to comply with this notice for all electronic products bearing the following symbol:



English - Environmental Information for Customers in the European Union

European Directive 2012/19/EU requires that the equipment bearing this symbol on the product and/or its packaging must not be disposed of with unsorted municipal waste. The symbol indicates that this product should be disposed of separately from regular household waste streams . It is your responsibility to dispose of this and other electric and electronic equipment via designated collection facilities appointed by the government or local authorities . Correct disposal and recycling will help prevent potential negative consequences to the environment and human health . For more detailed information about the disposal of your old equipment, please contact your local authorities, waste disposal service, or the shop where you purchased the product .

Български (Bulgarian) - Информация относно опазването на околната среда за потребители в Европейския съюз

Европейска директива 2012/19/ЕС изисква уредите, носещи този символ върху изделието и/или опаковката му, да не се изхвърля т с несортирани битови отпадъци . Символът обозначава, че изделието

трябва да се изхвърля отделно от сметосъбирането на обикновените битови отпадъци . Ваша е отговорността този и другите електрически и електронни уреди да се изхвърлят в предварително определени от държавните или общински органи специализирани пунктове за събиране . Правилното изхвърляне и рециклиране ще спомогнат да се предотвратят евентуални вредни за околната среда и здравето на населението последствия . За по-подробна информация относно изхвърлянето на вашите стари уреди се обърнете към местните власти, службите за сметосъбиране или магазина, от който сте закупили уреда .

Čeština (Czech) - Informace o ochraně životního prostředí pro zákazníky v zemích Evropské unie

Evropská směrnice 2012/19/EU zakazuje, aby zařízení označené tímto symbolem na produktu anebo na obalu bylo likvidováno s netříděným komunálním odpadem . Tento symbol udává, že daný produkt musí být likvidován odděleně od běžného komunálního odpadu . Odpovídáte za likvidaci tohoto produktu a dalších elektrických a elektronických zařízení prostřednictvím určených sběrných míst stanovených vládou nebo místními úřady . Správná likvidace a recyklace pomáhá předcházet potenciálním negativním dopadům na životní prostředí a lidské zdraví . Podrobnější informace o likvidaci starého vybavení si laskavě vyžádejte od místních úřadů, podniku zabývajícího se likvidací komunálních odpadů nebo obchodu, kde jste produkt zakoupili .

Dansk (Danish) - Miljøinformation for kunder i EU

EU-direktiv 2012/19/EU kræver, at udstyr der bærer dette symbol på produktet og/eller emballagen ikke må bortskaffes som usorteret kommunalt affald . Symbolet betyder, at dette produkt skal bortskaffes adskilt fra det almindelige husholdningsaffald . Det er dit ansvar at bortskaffe dette og andet elektrisk og elektronisk udstyr via bestemte indsamlingssteder udpeget af staten eller de lokale myndigheder . Korrekt bortskaffelse og genvinding vil hjælpe med til at undgå mulige skader for miljøet og menneskers sundhed . Kontakt venligst de lokale myndigheder, renovationstjenesten eller den butik, hvor du har købt produktet, angående mere detaljeret information om bortskaffelse af dit gamle udstyr .

Deutsch (German) - Umweltinformation für Kunden innerhalb der Europäischen Union

Die Europäische Richtlinie 2012/19/EU verlangt, dass technische Ausrüstung, die direkt am Gerät und/oder an der Verpackung mit diesem Symbol versehen ist, nicht zusammen mit unsortiertem Gemeindeabfall entsorgt werden darf . Das Symbol weist darauf hin, dass das Produkt von regulärem Haushaltmüll getrennt entsorgt werden sollte . Es liegt in Ihrer Verantwortung, dieses Gerät und andere elektrische und elektronische Geräte über die dafür zuständigen und von der Regierung oder örtlichen Behörden dazu bestimmten Sammelstellen zu entsorgen . Ordnungsgemäßes Entsorgen und Recyceln trägt dazu bei, potentielle negative Folgen für Umwelt

und die menschliche Gesundheit zu vermeiden. Wenn Sie weitere Informationen zur Entsorgung Ihrer Altgeräte benötigen, wenden Sie sich bitte an die örtlichen Behörden oder städtischen Entsorgungsdienste oder an den Händler, bei dem Sie das Produkt erworben haben.

Eesti (Estonian) - Keskkonnaalane informatsioon Euroopa Liidus asuvatele klientidele

Euroopa Liidu direktiivi 2012/19/EL nõuete kohaselt on seadmeid, millel on tootel või pakendil käesolev sümbol, keelatud kõrvaldada koos sorteerimata olmejäätmetega. See sümbol näitab, et toode tuleks kõrvaldada eraldi tavalistest olmejäätmevoogudest. Olete kohustatud kõrvaldama käesoleva ja ka muud elektri- ja elektroonikaseadmed riigi või kohalike ametiasutuste poolt ette nähtud kogumispunktide kaudu. Seadmete korrektne kõrvaldamine ja ringlussevõtt aitab vältida võimalikke negatiivseid tagajärgi keskkonnale ning inimeste tervisele. Vanade seadmete kõrvaldamise kohta täpsema informatsiooni saamiseks võtke palun ühendust kohalike ametiasutustega, jäätmekäitlusfirmaga või kauplusega, kust te toote ostsite.

Español (Spanish) - Información medioambiental para clientes de la Unión Europea

La Directiva 2012/19/UE de la UE exige que los equipos que lleven este símbolo en el propio aparato y/o en su embalaje no deben eliminarse junto con otros residuos urbanos no seleccionados. El símbolo indica que el producto en cuestión debe separarse de los residuos domésticos convencionales con vistas a su eliminación. Es responsabilidad suya desechar este y cualesquiera otros aparatos eléctricos y electrónicos a través de los puntos de recogida que ponen a su disposición el gobierno y las autoridades locales. Al desechar y reciclar correctamente estos aparatos estará contribuyendo a evitar posibles consecuencias negativas para el medio ambiente y la salud de las personas. Si desea obtener información más detallada sobre la eliminación segura de su aparato usado, consulte a las autoridades locales, al servicio de recogida y eliminación de residuos de su zona o pregunte en la tienda donde adquirió el producto.

Ελληνικά (Greek) - Στοιχεία περιβαλλοντικής προστασίας για πελάτες εντός της Ευρωπαϊκής Ένωσης

Σύμφωνα με την Κοινοτική Οδηγία 2012/19/ΕΕ, ο εξοπλισμός που φέρει αυτό το σύμβολο στο προϊόν ή/και τη συσκευασία του δεν πρέπει να απορρίπτεται μαζί με τα μη διαχωρισμένα αστικά απορρίμματα. Το σύμβολο υποδεικνύει ότι αυτό το προϊόν θα πρέπει να απορρίπτεται ξεχωριστά από τα συνήθη οικιακά απορρίμματα. Είστε υπεύθυνος για την απόρριψη του παρόντος και άλλου ηλεκτρικού και ηλεκτρονικού εξοπλισμού μέσω των καθορισμένων εγκαταστάσεων συγκέντρωσης απορριμμάτων, οι οποίες ορίζονται από το κράτος ή τις αρμόδιες τοπικές αρχές. Η σωστή απόρριψη και ανακύκλωση συμβάλλει στην πρόληψη ενδεχόμενων αρνητικών επιπτώσεων στο περιβάλλον και την υγεία. Για περισσότερες πληροφορίες σχετικά με την

απόρριψη του παλαιού σας εξοπλισμού, επικοινωνήστε με τις τοπικές αρχές, τις υπηρεσίες αποκομιδής απορριμμάτων ή το κατάστημα από το οποίο αγοράσατε το προϊόν.

Français (French) - Informations environnementales pour les clients de l'Union européenne

La directive européenne 2012/19/UE exige que l'équipement sur lequel est apposé ce symbole sur le produit et/ou son emballage ne soit pas jeté avec les autres ordures ménagères. Ce symbole indique que le produit doit être éliminé dans un circuit distinct de celui pour les déchets des ménages. Il est de votre responsabilité de jeter ce matériel ainsi que tout autre matériel électrique ou électronique par les moyens de collecte indiqués par le gouvernement et les pouvoirs publics des collectivités territoriales. L'élimination et le recyclage en bonne et due forme ont pour but de lutter contre l'impact néfaste potentiel de ce type de produits sur l'environnement et la santé publique. Pour plus d'informations sur le mode d'élimination de votre ancien équipement, veuillez prendre contact avec les pouvoirs publics locaux, le service de traitement des déchets, ou l'endroit où vous avez acheté le produit.

Italiano (Italian) - Informazioni relative all'ambiente per i clienti residenti nell'Unione Europea

La direttiva europea 2012/19/UE richiede che le apparecchiature contrassegnate con questo simbolo sul prodotto e/o sull'imballaggio non siano smaltite insieme ai rifiuti urbani non differenziati. Il simbolo indica che questo prodotto non deve essere smaltito insieme ai normali rifiuti domestici. È responsabilità del proprietario smaltire sia questi prodotti sia le altre apparecchiature elettriche ed elettroniche mediante le specifiche strutture di raccolta indicate dal governo o dagli enti pubblici locali. Il corretto smaltimento ed il riciclaggio aiuteranno a prevenire conseguenze potenzialmente negative per l'ambiente e per la salute dell'essere umano. Per ricevere informazioni più dettagliate circa lo smaltimento delle vecchie apparecchiature in Vostro possesso, Vi invitiamo a contattare gli enti pubblici di competenza, il servizio di smaltimento rifiuti o il negozio nel quale avete acquistato il prodotto.

Latviešu valoda (Latvian) - Ekoloģiska informācija klientiem Eiropas Savienības jurisdikcijā

Direktīvā 2012/19/ES ir prasība, ka aprīkojumu, kam pievienota zīme uz paša izstrādājuma vai uz tā iesaiņojuma, nedrīkst izmest nešķīrotā veidā kopā ar komunālajiem atkritumiem (tiem, ko rada vietēji iedzīvotāji un uzņēmumi). Šī zīme nozīmē to, ka šī ierīce ir jāizmet atkritumos tā, lai tā nenonāktu kopā ar parastiem mājsaimniecības atkritumiem. Jūsu pienākums ir šo un citas elektriskās un elektroniskās ierīces izmest atkritumos, izmantojot īpašus atkritumu savākšanas veidus un līdzekļus, ko nodrošina valsts un pašvaldību iestādes. Ja izmešana atkritumos un pārstrāde tiek veikta pareizi, tad mazinās iespējamais kaitējums dabai

un cilvēku veselībai . Sīkākas ziņas par novecojuša aprīkojuma izmešanu atkritumos jūs varat saņemt vietējā pašvaldībā, atkritumu savākšanas dienestā, kā arī veikalā, kur iegādājāties šo izstrādājumu .

Lietuvškai (Lithuanian) - Aplinkosaugos informacija, skirta Europos Sąjungos vartotojams
Europos direktyva 2012/19/ES numato, kad įrangos, kuri ir kurios pakuotė yra pažymėta šiuo simboliu (įveskite simbolį), negalima šalinti kartu su nerūšiuotomis komunalinėmis atliekomis . Šis simbolis rodo, kad gaminį reikia šalinti atskirai nuo bendro buitinių atliekų srauto . Jūs privalote užtikrinti, kad ši ir kita elektros ar elektroninė įranga būtų šalinama per tam tikras nacionalinės ar vietinės valdžios nustatytas atliekų rinkimo sistemas . Tinkamai šalinant ir perdurbant atliekas, bus išvengta galimos žalos aplinkai ir žmonių sveikatai . Daugiau informacijos apie jūsų senos įrangos šalinimą gali pateikti vietinės valdžios institucijos, atliekų šalinimo tarnybos arba parduotuvės, kuriose įsigijote tą gaminį .

Malti (Maltese) - Informazzjoni Ambjentali għal Kliġenti fl-Unjoni Ewropea

Id-Direttiva Ewropea 2012/19/UE titlob li t-tagħmir li jkun fih is-simbolu fuq il-prodott u/jew fuq l-ippakkjar ma jistax jintrema ma' skart muniċipali li ma ġiex isseparat . Is-simbolu jindika li dan il-prodott għandu jintrema separatament minn ma' l-iskart domestiku regolari . Hija responsabbiltà tiegħek li tarmi dan it-tagħmir u kull tagħmir iehor ta' l-elettriku u elettroniku permezz ta' faċilitajiet ta' ġbir appuntati apposta mill-gvern jew mill-awtoritajiet lokali . Ir-rimi b' mod korrett u r-riċiklaġġ jgħin jipprevjeni konsegwenzi negattivi potenzjali għall-ambjent u għas-saħħa tal-bniedem . Għal aktar informazzjoni dettaljata dwar ir-rimi tat-tagħmir antik tiegħek, jekk jogħġbok ikkuntattja lill-awtoritajiet lokali tiegħek, is-servizzi għar-rimi ta' l-iskart, jew il-ħanut minn fejn xtrajt il-prodott .

Magyar (Hungarian) - Környezetvédelmi információ az európai unió vásárlók számára

A 2012/19/EU számú európai unió irányelv megkívánja, hogy azokat a termékeket, amelyeken, és/vagy amelyek csomagolásán az alábbi címke megjelenik, tilos a többi szelektálatlan lakossági hulladékkal együtt kidobni . A címke azt jelöli, hogy az adott termék kidobásakor a szokványos háztartási hulladékelszállítási rendszerektől elkülönített eljárást kell alkalmazni . Az Ön felelőssége, hogy ezt, és más elektromos és elektronikus berendezéseit a kormányzati vagy a helyi hatóságok által kijelölt gyűjtőrendszeren keresztül számolja fel . A megfelelő hulladékfeldolgozás segít a környezetre és az emberi egészségre potenciálisan ártalmas negatív hatások megelőzésében . Ha elavult berendezéseinek felszámolásához további részletes információra van szüksége, kérjük, lépjen kapcsolatba a helyi hatóságokkal, a hulladékfeldolgozási szolgálattal, vagy azzal üzlettel, ahol a terméket vásárolta .

Nederlands (Dutch) - Milieu-informatie voor klanten in de Europese Unie

De Europese Richtlijn 2012/19/EU schrijft voor dat apparatuur die is voorzien van dit symbool op het product of de verpakking, niet mag worden ingezameld met niet-gescheiden huishoudelijk afval . Dit symbool geeft aan dat het product apart moet worden ingezameld . U bent zelf verantwoordelijk voor de vernietiging van deze en andere elektrische en elektronische apparatuur via de daarvoor door de landelijke of plaatselijke overheid aangewezen inzamelingskanalen . De juiste vernietiging en recycling van deze apparatuur voorkomt mogelijke negatieve gevolgen voor het milieu en de gezondheid . Voor meer informatie over het vernietigen van uw oude apparatuur neemt u contact op met de plaatselijke autoriteiten of afvalverwerkingsdienst, of met de winkel waar u het product hebt aangeschaft .

Polski (Polish) - Informacja dla klientów w Unii Europejskiej o przepisach dotyczących ochrony środowiska

Dyrektywa Europejska 2012/19/UE wymaga, aby sprzęt oznaczony symbolem znajdującym się na produkcie i/ lub jego opakowaniu nie był wyrzucany razem z innymi niesortowanymi odpadami komunalnymi . Symbol ten wskazuje, że produkt nie powinien być usuwany razem ze zwykłymi odpadami z gospodarstw domowych . Na Państwu spoczywa obowiązek wyrzucania tego i innych urządzeń elektrycznych oraz elektronicznych w punktach odbioru wyznaczonych przez władze krajowe lub lokalne . Pozbywanie się sprzętu w właściwy sposób i jego recykling pomogą zapobiec potencjalnie negatywnym konsekwencjom dla środowiska i zdrowia ludzkiego . W celu uzyskania szczegółowych informacji o usuwaniu starego sprzętu, prosimy zwrócić się do lokalnych władz, służb oczyszczania miasta lub sklepu, w którym produkt został nabyty .

Português (Portuguese) - Informação ambiental para clientes da União Europeia

A Directiva Europeia 2012/19/UE exige que o equipamento que exibe este símbolo no produto e/ou na sua embalagem não seja eliminado junto com os resíduos municipais não separados . O símbolo indica que este produto deve ser eliminado separadamente dos resíduos domésticos regulares . É da sua responsabilidade eliminar este e qualquer outro equipamento eléctrico e electrónico através das instalações de recolha designadas pelas autoridades governamentais ou locais . A eliminação e reciclagem correctas ajudarão a prevenir as consequências negativas para o ambiente e para a saúde humana . Para obter informações mais detalhadas sobre a forma de eliminar o seu equipamento antigo, contacte as autoridades locais, os serviços de eliminação de resíduos ou o estabelecimento comercial onde adquiriu o produto .

Română (Romanian) - Informații de mediu pentru clienții din Uniunea Europeană

Directiva europeană 2012/19/UE impune ca echipamentele

care prezintă acest simbol pe produs și/sau pe ambalajul acestuia să nu fie casate împreună cu gunoiul menajer municipal. Simbolul indică faptul că acest produs trebuie să fie casat separat de gunoiul menajer obișnuit. Este responsabilitatea dvs. să casați acest produs și alte echipamente electrice și electronice prin intermediul unităților de colectare special desemnate de guvern sau de autoritățile locale. Casarea și reciclarea corecte vor ajuta la prevenirea potențialelor consecințe negative asupra sănătății mediului și a oamenilor. Pentru mai multe informații detaliate cu privire la casarea acestui echipament vechi, contactați autoritățile locale, serviciul de salubritate sau magazinul de la care ați achiziționat produsul.

Slovenčina (Slovak) - Informácie o ochrane životného prostredia pre zákazníkov v Európskej únii

Podľa európskej smernice 2012/19/EÚ zariadenie s týmto symbolom na produkte a/alebo jeho balení nesmie byť likvidované spolu s netriedeným komunálnym odpadom. Symbol znamená, že produkt by sa mal likvidovať oddelene od bežného odpadu z domácností. Je vašou povinnosťou likvidovať toto i ostatné elektrické a elektronické zariadenia prostredníctvom špecializovaných zberných zariadení určených vládou alebo miestnymi orgánmi. Správna likvidácia a recyklácia pomôže zabrániť prípadným negatívnym dopadom na životné prostredie a zdravie ľudí. Ak máte záujem o podrobnejšie informácie o likvidácii starého zariadenia, obráťte sa, prosím, na miestne orgány, organizácie zaoberajúce sa likvidáciou odpadov alebo obchod, v ktorom ste si produkt zakúpili.

Slovenščina (Slovene) - Okoljske informacije za stranke v Evropski uniji

Evropska direktiva 2012/19/EU prepoveduje odlaganje opreme s tem simbolom na izdelku in/ali na embalaži z nesortiranimi komunalnimi odpadki. Ta simbol opozarja, da je treba izdelek zavreči ločeno od preostalih gospodinjskih odpadkov. Vaša odgovornost je, da to in preostalo električno in elektronsko opremo oddate na posebna zbirališča, ki jih določijo državne ustanove ali lokalne oblasti. S pravilnim odlaganjem in recikliranjem boste preprečili morebitne škodljive vplive na okolje in zdravje ljudi. Če želite izvedeti več o odlaganju stare opreme, se obrnite na lokalne oblasti, odlagališče odpadkov ali trgovino, kjer ste izdelek kupili.

Suomi (Finnish) - Ympäristöä koskevia tietoja EU-alueen asiakkaille

EU-direktiivi 2012/19/EU edellyttää, että jos laitteistossa on tämä symboli itse tuotteessa ja/ tai sen pakkauksessa, laitteistoa ei saa hävittää lajittelemattoman yhdyskuntajätteen mukana. Symboli merkitsee sitä, että tämä tuote on hävitettävä erillään tavallisesta kotitalousjätteestä. Sinun vastuullasi on hävittää tämä elektroniikkatuote ja muut vastaavat elektroniikkatuotteet viemällä tuote tai tuotteet viranomaisten määräämään keräyspisteeseen.

Laitteiston oikea hävittäminen estää mahdolliset kielteiset vaikutukset ympäristöön ja ihmisten terveyteen. Lisätietoja vanhan laitteiston oikeasta hävitystavasta saa paikallisilta viranomaisilta, jätteenhävityspalvelusta tai siitä myymälästä, josta ostit tuotteen.

Svenska (Swedish) - Miljöinformation för kunder i Europeiska unionen

Det europeiska direktivet 2012/19/EU kräver att utrustning med denna symbol på produkten och/eller förpackningen inte får kastas med osorterat kommunalt avfall. Symbolen visar att denna produkt bör kastas efter att den avskiljts från vanligt hushållsavfall. Det faller på ditt ansvar att kasta denna och annan elektrisk och elektronisk utrustning på fastställda insamlingsplatser utsedda av regeringen eller lokala myndigheter. Korrekt kassering och återvinning skyddar mot eventuella negativa konsekvenser för miljön och personhälsa. För mer detaljerad information om kassering av din gamla utrustning kontaktar du dina lokala myndigheter, avfallshantering eller butikendär du köpte produkten.

**Visit linksys.com/support for award-winning
24/7 technical support**

Belkin, LINKSYS and many product names and logos are trademarks of the Belkin group of companies. Third-party trademarks mentioned are the property of their respective owners. © 2019 Belkin International, Inc. and/or its affiliates. All rights reserved.