

# Mouse Operation Manual

Model: SK-7235-M

Customer: LITEON

Version : 0.3

Issue Date : 07 .27.2009

## Table of Contents

<b>1. General</b> .....	<b>2</b>
<b>2. Mechanical Specifications</b> .....	<b>2</b>
2.1 Product Outline .....	2
2.2 Mouse Transmitter .....	3
<b>3. Electrical Specification</b> .....	<b>3</b>
3.1 Product Features.....	3
3.2 Power Consumption.....	5
3.3 Tracking performance .....	5
<b>4. Radio Feature</b> .....	<b>5</b>
4.1 Operation procedure .....	5
4.2 Radio feature .....	6
4.3 HID function .....	6

### 1. General

This is product specification of SK-7235 series RF mouse. It is high quality wireless 2.4GHz radio mouse set, [supports multi channels and 65,536 ID numbers of RF communication](#).

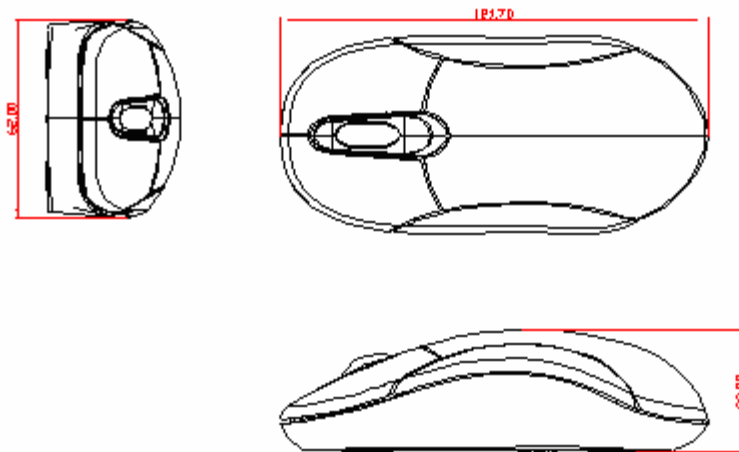
The mouse product has high radio performance with operation range of [minimum 10 meters](#). It also offers low power consumption for operation.

The mouse function includes pointing, left/right button and wheel function (totally 3 button). A USB RF dongle would be used as a receiver for normal operation.

### 2. Mechanical Specifications

#### 2.1 Product Outline

## Sk-7235 Mice enclosure



## 2.2 Mouse Transmitter

### 2.2.1 Dimensions and Weight

( Unpacked Dimensions and Weight )

Dimensions: (Tolerance :  $\pm 3$  mm)

Length	Depth	Height
121.70mm	62.00mm	38.33mm

Weight: 0.073kg kg (MS with batteries)

(Tolerance: $\pm 0.02$  Kg)

## 3. Electrical Specification

This document summarizes the requirements for the Wireless 3D Mouse (WLM).  
The product is a wireless mouse eliminates cable between mouse and the PC

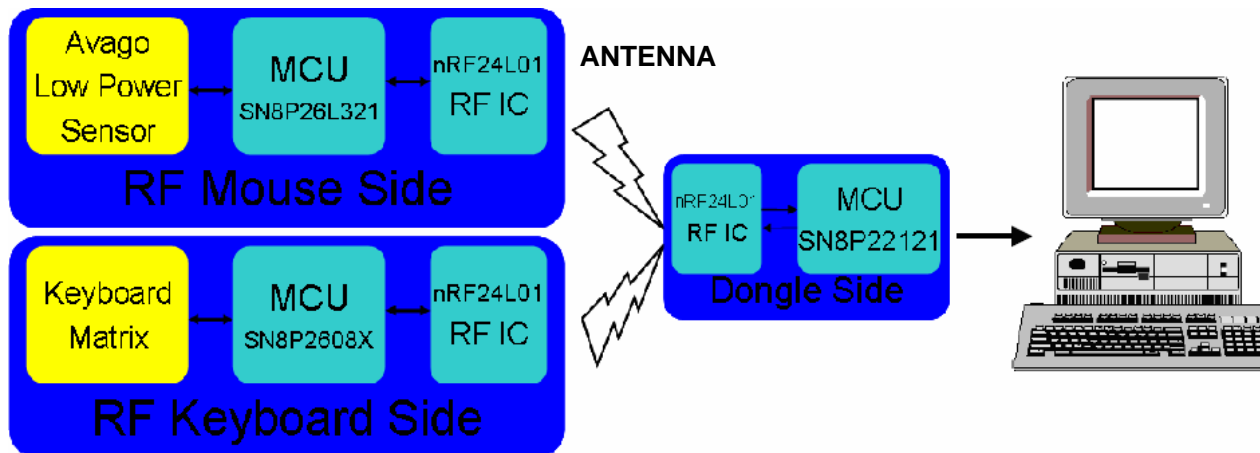
### 3.1 Product Features

- CPI:1600 cpi
- 3D mouse (3 keys and wheel)
- Nordic RF solution with 78 RF channels 2.4GHz RF two way..
- Offer 65,536 ID numbers.
- Maximum 2M transmission baud rate for mouse.
- Operating distance up to 10m
- Battery: AA\*2 PCs

**Product Applications**

- Laptop PC
- Desktop PC
- Operate OS: window 2000/ME/XP/MAC/LINUX OS

**Functional Block diagram of RF Communication system**



**3.2 Power Consumption**

**\*For Mouse:**

**Operation Voltage:**

Voltage supplied to device: 3 VDC (AA battery \*2)

Operation voltage range: 2.3 ~3.3VDC for mouse

**3.3 Tracking performance**

- Tracking speed: High speed 8 inch per second/Low speed 1 inch per second.
- Tracking acceleration: 0.15g, 1g=9.8m/S<sup>2</sup>
- Tracking 45 degree angle line.

Tracking surface:

1. White color A4 paper.
2. K93 Gray paper.
3. K100 Black paper.

**4. Radio Feature**

**4.1 Operation procedure**

The product needs to make pairing with USB dongle before normal application.

In general we can use the product directly by the user because the pairing process has been done at manufacturer site. However, the pairing process needs to be done if there is

no response from mouse.

**\* How to make pairing (step by step as below process) by user:**

1. Insert two AA batteries to the RF Mouse, and close the battery door.
2. Plug in the dongle to the USB port of P.C. and the Access LED will flash about 2 seconds.
3. Press the ID connect button of dongle and the Access LED will flash about 15 seconds.
4. Press the ID connect button of RF Mouse for pairing with the dongle within 15 seconds.
5. The Access LED will go off and RF Mouse is ready. If Access LED is still blinking, please repeat the above procedure 1 to 4 again.

**Note :**

Check the batteries power supply if pairing was unsuccessfully. Repeats pairing process step 1~5 after checking battery power status.

**4.2 Radio feature**

\*Table-1 Parameter of radio

<i>Item/ Parameter</i>	<i>Specification</i>
Frequency Range	2.4GHz (2402MHz-2479MHz)
Modulation	GFSK
Channel	78 channel
Channel I.D	16bits →65,536 sets
Operation Voltage	2.2V~3.3V(BATTERY)
Battery	AA*2 batteries.
Transmission rate	2 Mbps
TX FM frequency deviation	+/- 320 kHz
Frequency tolerance	+/- 30 ppm

**4.3 HID function**

This product offer 3 buttons mouse function.

The USB dongle is recommended to use for receiving at host PC.

Note:

This equipment has been tested and found to comply with the limits for a class B digital device, pursuant to part 15 of the FCC rules. These limits are designed to provide to provide reasonable protection against harmful interference in a residential installation. This equipment generates, uses and can radiate radio frequency energy and, if not installed and used in accordance with the installation. , May cause harmful interference to radio communication. However, there is no guarantee that interference

Will not occur in a particular installation. if this equipment does cause harmful interference to radio or television reception, which can be determined by turning the equipment off and on, the user is encouraged to try to correct the interference by one or more of the following measures:

- Reorient or relocate the receiving antenna
- Increase the separation between the equipment and receiver
- Connect the equipment into an outlet on a circuit different from that to which the receiver is connected
- Consult the dealer or an experienced radio / TV technician for help

You are cautioned that changes or modifications not expressly approved by the party responsible for compliance could void your authority to operate the equipment.

This device complies with part 15 of the FCC rules. Operation is subject to the following two conditions

(1) This device may not cause harmful interference and

This device must accept any interference received, including interference that may cause undesired operation

**This transmitter must not be co-located or operating in conjunction with any other antenna or transmitter.**