

# O-90-N Access Point

## Quick Start Guide

---

### Package Contents

You should have received the following components in your O-90-N package.



---

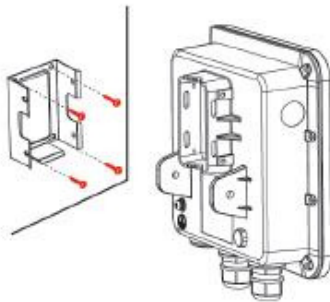
### Mounting Accessories



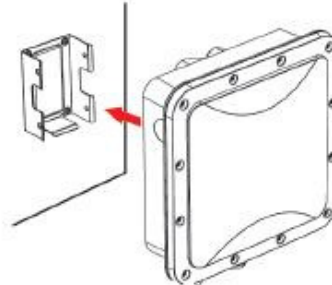
## Mounting the O-90-N

### Wall Mount

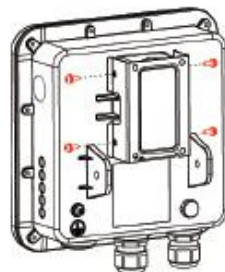
**1** Affix mounting bracket on the wall.



**2** Affix device to the mounting bracket.



**3**  
Attach device to the mounting bracket.

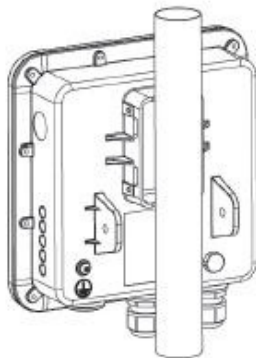


**4**  
Fasten the screws.

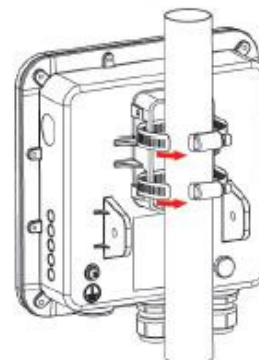


### Pole Mount

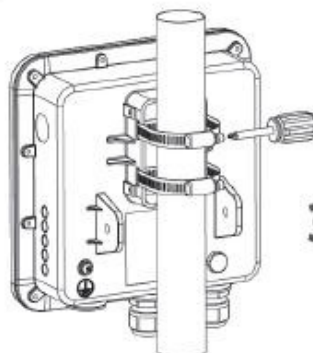
**1** Place the device on the pole.



**2** Insert the straps in the slots on the device and wrap around the pole.



**3** Fasten the screws and check whether the device is fixed tightly on the pole.



**Note:** The product is designed for specific application and must be professionally installed by a qualified personal who has RF and related knowledge.

## Getting the O-90-N Online

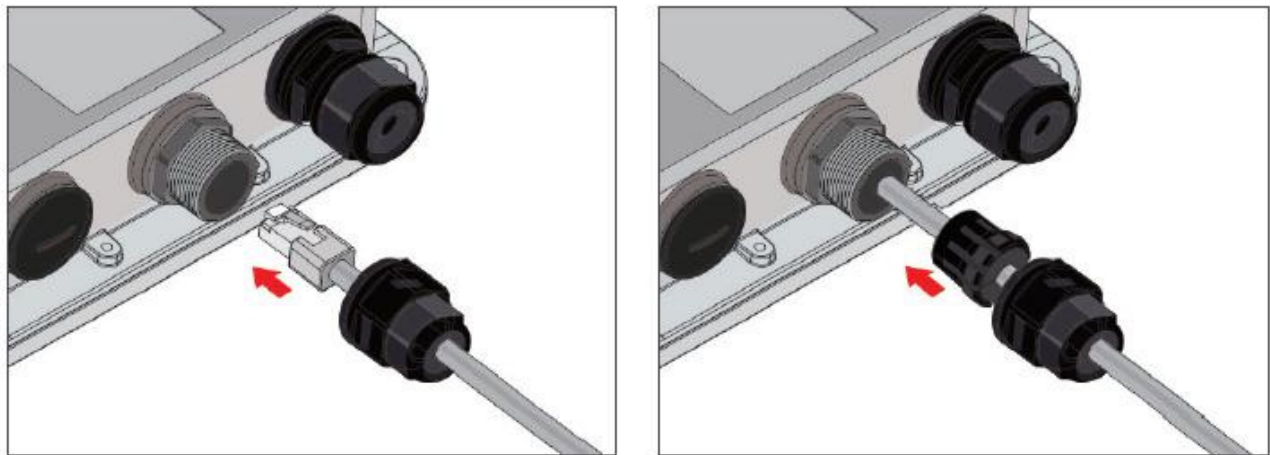
### Step 1: Power up

Plug one end of the Ethernet cable into the PoE+ switch or injector and plug the other end into the LAN1 (PoE) on the O-90-N. Make sure the PoE+ source you are using is turned ON.

---

### Step 2: Connect to the network

As you are using PoE+, the O-90-N should already be connected to your network.



### Step 3: Check the LED status

Wait for a few minutes till the Power (PWR) LED and LAN1 (PoE) LED turn solid GREEN, which indicates that the O-90-N is online and operational.



## Troubleshooting

After the O-90-N is powered ON and connected to Ethernet, if the status of Power (PWR) LED is not **Solid Green**, it indicates that the AP is not able to function normally. The following guidelines may help you to quickly diagnose and fix the problem.

| LED Status   |          |         |                  | What does it mean?   |
|--------------|----------|---------|------------------|--|
| Power (PWR)  | 2.4G/ 5G | LAN2    | LAN1 (PoE)       |  |
| Off          | Off      | Off     | Off              | Not powered on or it is in the process of starting up                    |
| Solid Orange | Any      | On/ Off | Solid Green      | No active Ethernet link <sup>1</sup>                                     |
| Solid Orange | Any      | On/ Off | Fast Blink Green | Did not receive a valid IP address via DHCP <sup>2</sup>                 |
| Solid Orange | Any      | On/ Off | Slow Blink Green | Unable to connect to the Mojo Cloud Services or Mojo Server <sup>3</sup> |

1. Ensure that the Ethernet cable is correctly plugged into the LAN1 (POE) port on the O-90-N and the other end of the cable is plugged into an Ethernet jack or a port on a switch that is turned ON.
2. If the O-90-N did not receive a valid IP address from the DHCP server, ensure that a DHCP server is ON and available on the VLAN/subnet to which the AP is connected. If the AP still fails to get a valid IP address, you can reboot it once to see if that resolves the problem.
3. Ensure that Internet connectivity is available from the VLAN/subnet to which the AP is connected. Check if the required ports for AP and Server communication – UDP 3851 and default HTTP (TCP port 80) – are open on the Firewall. If you are using a Proxy, Web accelerator or URL content filtering, make sure the settings allow communication between the AP and Mojo Cloud Services.

---

After following these guidelines, if you are still unable to resolve the problem, contact the local Mojo Operations Team or 24/7 Mojo Support Team.

**Email:** [jiosupport@mojonetworks.com](mailto:jiosupport@mojonetworks.com)



Mojo Networks, Inc. 339 N. Bernardo Avenue #200, Mountain View, CA 94043

T +1.877.424.7844 T 650.961.1111 F 650.961.1169 [www.mojonetworks.com](http://www.mojonetworks.com) [info@mojonetworks.com](mailto:info@mojonetworks.com)

© 2016 Mojo Networks, Inc. All rights reserved. Mojo Networks and the Mojo Networks logo are trademarks, and Mojo is a registered trademark of Mojo Networks, Inc. All other trademarks mentioned herein are properties of their respective owners. Specifications are subject to change without notice.

## **FCC Statement:**

### **Federal Communication Commission Interference Statement**

This equipment has been tested and found to comply with the limits for a Class B digital device, pursuant to Part 15 of the FCC Rules. These limits are designed to provide reasonable protection against harmful interference in a residential installation. This equipment generates, uses and can radiate radio frequency energy and, if not installed and used in accordance with the instructions, may cause harmful interference to radio communications. However, there is no guarantee that interference will not occur in a particular installation. If this equipment does cause harmful interference to radio or television reception, which can be determined by turning the equipment off and on, the user is encouraged to try to correct the interference by one of the following measures:

- Reorient or relocate the receiving antenna.
- Increase the separation between the equipment and receiver.
- Connect the equipment into an outlet on a circuit different from that to which the receiver is connected.
- Consult the dealer or an experienced radio/TV technician for help.

FCC Caution: Any changes or modifications not expressly approved by the party responsible for compliance could void the user's authority to operate this equipment.

This device complies with Part 15 of the FCC Rules. Operation is subject to the following two conditions: (1) This device may not cause harmful interference, and (2) this device must accept any interference received, including interference that may cause undesired operation.

For product available in the USA/Canada market, only channel 1~11 can be operated. Selection of other channels is not possible.

This device is restricted for indoor use.

### **IMPORTANT NOTE:**

#### **FCC Radiation Exposure Statement:**

This equipment complies with FCC radiation exposure limits set forth for an uncontrolled environment. This equipment should be installed and operated with minimum distance 20 cm between the radiator & your body.