

USER MANUAL

Wi-Fi (11a/b/g/n/ac 2Tx2R)+BT (V4.1LE) USB Combo Module

WCBN4510R(2M)

MediaTek MT7662U

Version 1.1

Change History

Revision	Date	Author	Change List
Version 1.0	2015/05/25	Ben J Chen	Preliminary
Version 1.1	2015/08/06	Ben J Chen	Update Connector SPEC Update Mechanical

** This document contains confidential proprietary information and is property of LTC. The contents of this document should not be disclosed to unauthorized persons without the written consent of LTC.*



USER MANUAL

Wi-Fi (11a/b/g/n/ac 2Tx2R)+BT (V4.1LE) USB Combo Module

WCBN4510R(2M)

MediaTek MT7662U

Version 1.1

Networking B.U.

Lite-on Technology Corporation

4F, No. 90, Chien 1 Rd.,

Chung Ho, New Taipei City 235, Taiwan, R.O.C.

Customer Approval: _____ (Signature)

_____ (Title)

_____ (Company)

_____ (Date)

(Please Sign Back by FAX. For Confirming the Spec Only, not an Official Agreement for OEM/ODM Business)

CONTENT

PRODUCT FEATURES.....	4
BT FEATURE:	4
WI-FI FEATURE:	4
COMMON FEATURE:	4
PRODUCT SPECIFICATIONS.....	5
MAIN CHIPSET	5
FUNCTIONAL SPECIFICATIONS.....	5
RECOMMENDED OPERATION CONDITIONS.....	7
DC CHARACTERISTICS.....	7
PIN ASSIGNMENT.....	8
CONNECTOR SPEC	8
RESET TIMING SPEC.....	9
MECHANICAL	9
ANTENNA SPEC.....	10
EEPROM INFORMATION	13
BT.....	13
WI-FI	13
ENVIRONMENTAL	13
OPERATING	13
STORAGE.....	13

PRODUCT FEATURES

BT FEATURE:

- Bluetooth V4.1 LE system
Backwards compatible with BT version of 1.1, 1.2, 2.0, 2.1 and 3.0+HS
- Bluetooth Class 1 transmission power
- Best-in-class BT/Wi-Fi coexistence performance
- Support for Simple Pairing (SP) and Enhanced Inquiry Response (EIR) function
- Support for SCATTERNET and up to piconets simultaneously with background inquiry/page scan
- Support wide-band speech and hardware accelerated SBC codec for A2DP streaming
- Support Wake On Bluetooth

WI-FI FEATURE:

- Operate at ISM frequency Band (2.4/5GHz)
- IEEE Standards Support, 802.11a ,802.11b, 802.11g, 802.11n and 802.11ac
- Support for both 20 MHz/40 MHz channel width in 2.4GHz and 20 MHz/40 MHz/80MHz channel width in 5GHz
- Enterprise level security supporting: WPS2.0,WAPI, WPA, WPA2
- Dual-stream IEEE 802.11ac support for 80MHz channels provides PHY layer rates up to 867Mbps
- QoS support of WFA WMM, WMMPS
- Support for WI-Fi Direct
- Support Wake On WLAN

COMMON FEATURE:

- MT7662U is a single chip integrated IEEE 802.11 a/b/g/n/ac and Bluetooth 4.1LE with a single USB interface
- PA, LNA, and T/R switch integration for Wi-Fi and Bluetooth
- Best-in-class active and idle power consumption performance
- Fully compliance with USB v2.0 specification
- Support OS: Linux based
- RoHS compliance
- Low Halogen compliance

PRODUCT SPECIFICATIONS

MAIN CHIPSET

MediaTek MT7662U

FUNCTIONAL SPECIFICATIONS

BT Function	
Standard	Bluetooth V4.1LE
Bus Interface	USB2.0
Data Rate	1 Mbps, 2Mbps and Up to 3Mbps
Modulation Scheme	GFSK, $\pi/4$ -DQPSK and 8-DPSK
Frequency Range	2.402~2.480 GHz
Transmit Output Power	+4 ≤ Output Power ≤ +10dBm; Class 1 Device
Receiver Sensitivity	< 0.1% BER at -80dBm
Wi-Fi Function	
Standard	IEEE802.11a; IEEE802.11b; IEEE 802.11g; IEEE 802.11n; IEEE802.11ac
Bus Interface	USB2.0
Data Rate	<p>802.11a: 54, 48, 36, 24, 18, 12, 9, 6 Mbps</p> <p>802.11b: 11, 5.5, 2, 1 Mbps</p> <p>802.11g: 54, 48, 36, 24, 18, 12, 9, 6 Mbps</p> <p>802.11n: MCS 0 to 15 for HT20MHz MCS 0 to 15 for HT40MHz</p> <p>802.11ac: MCS 0 to 8 for HT20MHz MCS 0 to 9 for HT40MHz MCS 0 to 9 for HT80MHz</p>
Media Access Control	CSMA/CA with ACK
Modulation Technique	<p>802.11a: 64QAM, 16QAM, QPSK, BPSK</p> <p>802.11b: CCK, DQPSK, DBPSK</p> <p>802.11g: 64QAM, 16QAM, QPSK, BPSK</p> <p>802.11n: 64QAM, 16QAM, QPSK, BPSK</p> <p>802.11ac: 256QAM, 64QAM, 16QAM, QPSK, BPSK</p>

Network Architecture	Ad-hoc mode (Peer-to-Peer) Infrastructure mode
Operation Channel	<p>2.4GHz 11: (Ch. 1-11) – United States 13: (Ch. 1-13) – Europe 14: (Ch. 1-14) – Japan</p> <p>5GHz 21: USA 19: EU 8: Japan</p>
Frequency Range	<p>802.11bgn 2.400 ~ 2.4835 GHz</p> <p>802.11a/ac 5.15 ~ 5.85 GHz</p> <p>802.11a: 13 dBm@6Mbps 13 dBm@54Mbps</p> <p>802.11b: 15 dBm@1Mbps 15 dBm@11Mbps</p> <p>802.11g: 14 dBm@6Mbps 14 dBm@54Mbps</p> <p>802.11n(2.4G): 20MHz: 14 dBm@MCS0 14 dBm@MCS7 40MHz: 12 dBm@MCS0 12 dBm@MCS7</p> <p>802.11n(5G): 20MHz: 13 dBm@MCS0 13 dBm@MCS7 40MHz: 11 dBm@MCS0 11 dBm@MCS7</p> <p>802.11ac: 20MHz: 11 dBm@MCS0 11 dBm@MCS8 40MHz: 11 dBm@MCS0 11 dBm@MCS8 11 dBm@MCS9 80MHz: 11 dBm@MCS0 11 dBm@MCS8 11 dBm@MCS9</p>
Transmit Output Power – 2x2 (Tolerance: ±1.5dBm)	
Receiver Sensitivity	<p>802.11a: -86 dBm@6Mbps -70 dBm@54Mbps</p> <p>802.11b: -88 dBm@1Mbps -82 dBm@11Mbps</p> <p>802.11g: -86 dBm@6Mbps</p>

-71 dBm@54Mbps
802.11n(2.4/5G):
20MHz
-86 dBm@MCS0
-70 dBm@MCS7
-68 dBm@MCS15
40MHz
-83 dBm@MCS0
-67 dBm@MCS7
-65 dBm@MCS15
802.11ac:
20MHz
-64 dBm@MCS8
40MHz
-62 dBm@MCS8
-59 dBm@MCS9
80MHz
-59 dBm@MCS8
-56 dBm@MCS9

Security	WPS, WPA, WPA2, WEP 64bit & 128bit, IEEE 802.1X, IEEE 802.11i
-----------------	---

Common Function

Operating Voltage	5 V ±5% I/O supply voltage
--------------------------	----------------------------

OS Supported	Linux Based
---------------------	-------------

	Mode	Average		Peak	
		2.4G	5G	2.4G	5G
Power Consumption	TX	540mA	710mA	800mA	950mA
	RX	225mA	280mA		
	T/RX(WiFi only)	315mA	465mA		
	T/RX(BT only)	65mA			
	Standby WiFi+BT	84mA			

Antenna Type	Two Metal Antenna for WiFi Single External Antenna for BT
---------------------	--

RECOMMENDED OPERATION CONDITIONS

Symbol	Rating	Min	Typ	Max	Units
VCC	5V Supply Voltage	4.75	5	5.25	V
VDD33	3.3V Supply Voltage	2.97	3.3	3.63	V
VDD12	1.2V Supply Voltage	1.14	1.2	1.26	V
VDD15	1.5V Supply Voltage	1.425	1.5	1.575	V

DC CHARACTERISTICS

Symbol	Parameter	Min	Typ	Max	Units
V _{IL}	Input Low Voltage	-0.28	-	0.6	V

V _{IH}	Input High Voltage	2.0	-	3.63	V
V _{OL}	Output Low Voltage	-0.28	-	0.4	
V _{OH}	Output High Voltage	2.4	-	3.63	V

PIN ASSIGNMENT

Pin.	Pin Define	Description	Status
1	BT_DEV_WAKE#	Host wake up Bluetooth, low active	YES
2	WoBT#	Wake up system via BT, low active	YES
3	+5VCC	5V source	YES
4	USB_D-	USB Data-	YES
5	USB_D+	USB Data+	YES
6	GND	Ground	YES
7	3D_VSYNC	Vertical framerate synchronization	YES
8	RESET#	System reset MT7662U, low active	YES
9	WoWLAN#	Wake up system via wifi, low active	YES

CONNECTOR SPEC

NOTE:

- MATERIAL:
 - HOUSING: HALOGEN FREE PLASTIC, UL94V-0
 - TERMINAL: COPPER ALLOY
 - PLATING: COPPER ALLOY
- FINISH:
 - TERMINAL CONTACT:
 - 50~80u" NICKEL UNDERPLATING OVERALL.
 - 1: GOLD FLASH ON PLATED AREA
 - L: 80~120u" PURE TIN ON PLATED AREA
 - N: 120~150u" MATT TIN ON PLATED AREA
 - C: 15u" GOLD ON CONTACT AREA
 - GOLD FLASH ON SOLDER AREA
 - FITTING NAIL:
 - 50u" MIN NICKEL UNDERPLATING OVERALL.
 - 1: GOLD FLASH ON PLATED AREA
 - L: 120u" MIN PURE TIN ON PLATED AREA
 - N: 120u" MIN MATT TIN ON PLATED AREA

APPLY EVEN CIRCUIT PRODUCTS.

- LOCKING WINDOW: ONE PLACE FOR 2&3 CKTS.
- COPPLANARITY 0.1 MM MAX. BASE ON DATUM A
- TRUE POSITION 0.1 MM MAX. BASE ON DATUM B
- SPC PLS REFER TO PS-50271-XXXX-XXX.
- PACKING. PLS. SEE P/N LEGEND

P/N LEGEND
50271-XXX X X-XXX

XXX	Material&Color	PACKING
001	HP Plastic&Black	8520-XXXX-TRP
002	HP Plastic&White	
001	HP Plastic&Black	8520-XXXX-TRP
001	HP Plastic&Black	8520-XXXX-TRP
002	HP Plastic&Natural	

PLATING
L: LEAD FREE (PURE TIN)
1: GOLD FLASH OVER ALL
N: MATT TIN
C: 15" GOLD ON CONTACT FOR LEAD FREE

CKT	Dim A	Dim B	Dim C	Dim D	Dim E
2	1.25	3.05	4.25	7.25	7.15
3	2.50	4.30	5.50	8.50	8.40
4	3.75	5.55	6.75	9.75	9.65
5	5.00	6.80	8.00	11.00	10.90
6	6.25	8.05	9.25	12.25	12.15
7	7.50	9.30	10.50	13.50	13.40
8	8.75	10.55	11.75	14.75	14.65
9	10.00	11.80	13.00	16.00	15.90
10	11.25	13.05	14.25	17.25	17.15
11	12.50	14.30	15.50	18.50	18.40
12	13.75	15.55	16.75	19.75	19.65
13	15.00	16.80	18.00	21.00	20.90
14	16.25	18.05	19.25	22.25	22.15
15	17.50	19.30	20.50	23.50	23.40

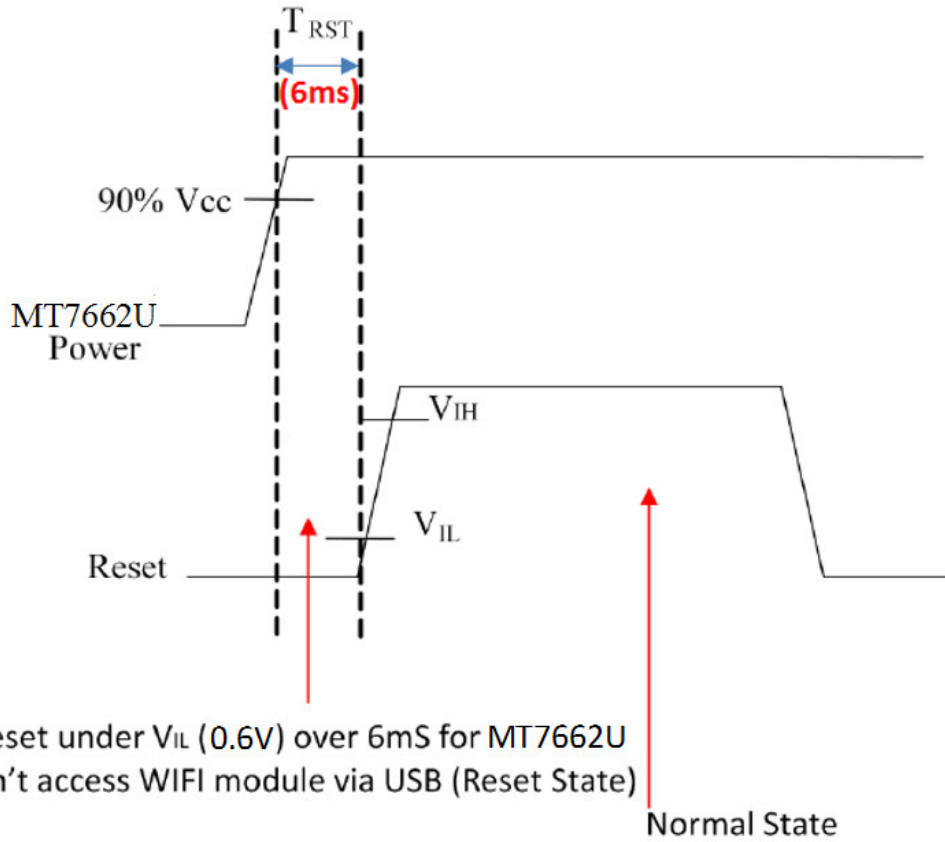
LOCK CONFIGURATION

PCB PATTERN LAYOUT

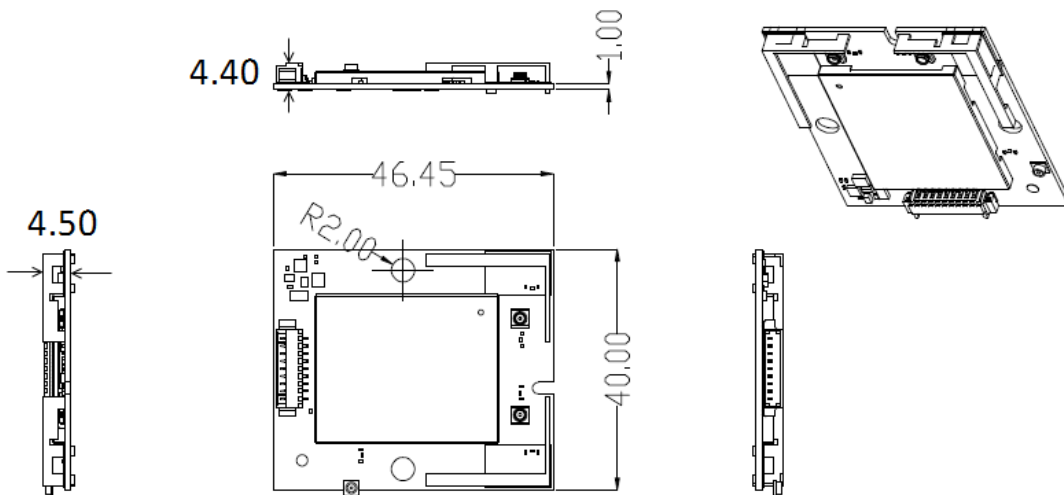
宏致電子股份有限公司
Aces Electronics Co., Ltd.

品名 (ITEM) R/A WITH CONN. 物料 (MTR) XUBIN
1-2511110 R/A S/R TYPE 審核 (CHECK) SAM
圖號 (DWG NO.) 核准 (APPV) JASON
50271-XXXX-XXX 比例 (SCALE) 單位 (UNIT) mm 1 OF 1
表面處理 (FINISH) 3:1

RESET TIMING SPEC



MECHANICAL



Tolerance:

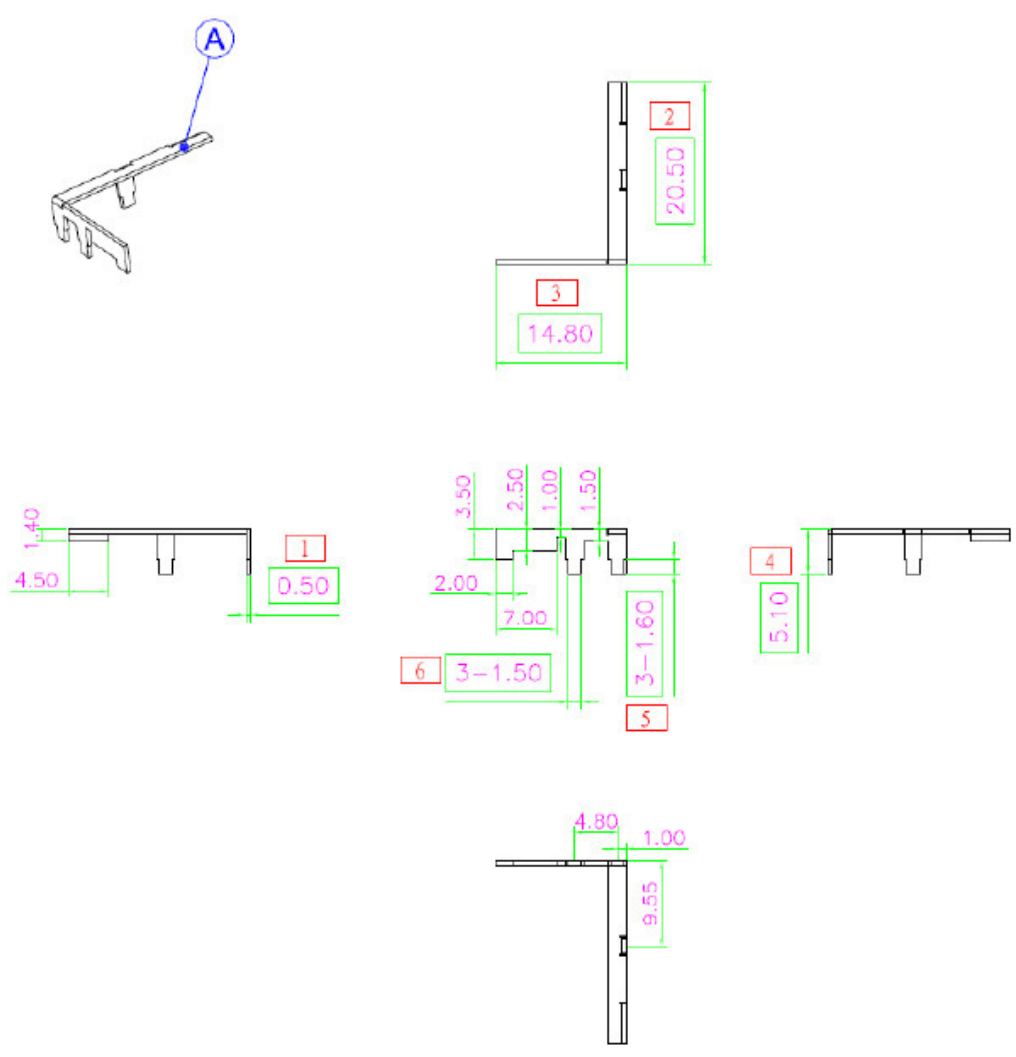
DIM	°EG				ANGLE
	A	B	C	D	
0-5	±0.06	±0.06	±0.10		0°-30° ±0.1°
5-10	±0.05	±0.10	±0.15		31°-60° ±0.3°
15-50	±0.10	±0.15	±0.20		61°-90° ±0.5°
50-100	±0.15	±0.20	±0.25		
100-	±0.15	±0.20	±0.25		

Unit:mm

ANTENNA SPEC

WiFi Antenna

ELECTRICAL Frequency : 2.4/5. x GHz	No.	DESCRIPTION	MAT'L	Finish	Q'TY
	A	Antenna	SUS430 T=0.5mm	先沖後鍍銀, 腳位側邊需吃錫	1



※標記□記號者, 為重點檢驗尺寸

				設計DR.	HWCHAN	2014.04.09	品名	版本 REV.	
				核准程			ARTICLE	A	
LTR	DESCRIPTION	DATE	REQ BY	容許公差 TOLERANCE		RFMTA201400NNLB002			
				0-5	±0.05		單位 UNIT	比例 SCALE	張數 SHEET
				5-10	±0.10		mm	****	1
				10-50	±0.15				
				50-100	±0.20				
華新科技股份有限公司 Walsin Technology Corporation									

WiFi Antenna

No.	DESCRIPTION	MAT'L	Finish	QTY
A	Antenna	SUS430 T=0.5mm	先沖後鍍銀, 腳位側邊需吃錫	1

ELECTRICAL
Frequency : 2.4/5. x GHz

※標記□記號者, 為重點檢驗尺寸

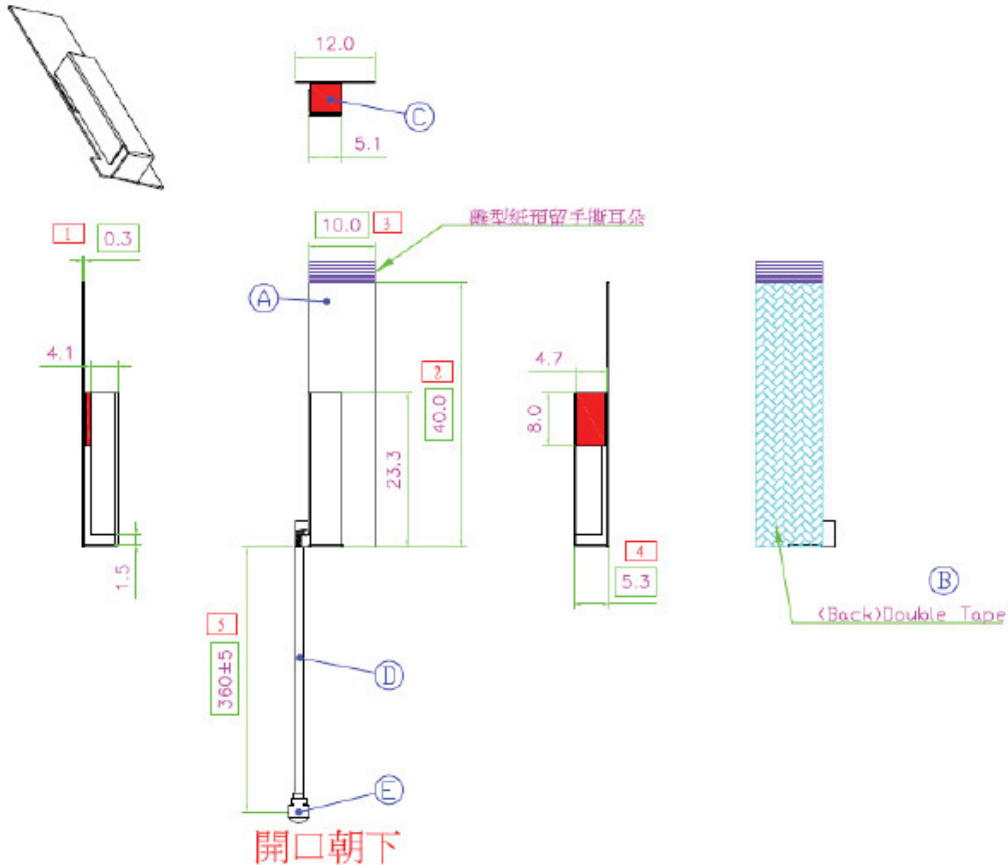
設計DR.	HWCHIAN	2014.04.09	品名	版本 REV.
核准APP.			ARTICLE	A
LTR	DESCRIPTION	DATE	REQ. BY	容許公差 TOLERANCE
				0-5 ±0.05
				5-10 ±0.10
				10-50 ±0.15
				50-100 ±0.20
華新科技股份有限公司 Walsin Technology Corporation				單位 UNIT mm
				比例 SCALE ****
				張數 SHEET 1

BT Antenna

ELECTRICAL
Frequency : 2.4~2.5 GHz

注意：
CABLE+IPEX拉力需 $\geq 1.0\text{kg}$

NO	DESCRIPTION		QTY	REMARK
A	Antenna	SUS430(鍍銀) T=0.3mm	1	
B	Double Tape	3M 9448(L40*W10mm)	1	
C	Sponge(EPDM L8*W4.8 Black)+Double Tape(G9000) : T4.7mm		1	
D	Coaxial cable	$\phi 1.13$ Cable(Gray)	1	
E	Connector	IPEX	1	



IPEX方向:
100mm $\pm 90^\circ$
200mm $\pm 135^\circ$
200mm以上不管控

※標記□記號者, 為重點檢驗尺寸

		設計 DR. HWCHAN	2014.08.13	品名	版本 REV.
		核准		ARTICLE	A
LTR	DESCRIPTION	DATE	REQ. BY	容許公差 TOLERANCE	RFMTA400536IMAB301
華新科技股份有限公司 Walsin Technology Corporation				0-5	± 0.05
				5-10	± 0.10
				10-50	± 0.15
				50-100	± 0.20
		單位 UNIT	比例 SCALE	張數 SHEET	
		mm	****	1	

BT Antenna
 Walsin/RFMTA400536IMAB301/3.79 dBi/PIFA type
 Walsin/SOUND BAR/4.18 dBi/Dipole type

2.4G WIFI Antenna
 Walsin/Integral Antenna1/1.92 dBi/PIFA type
 Walsin/Integral Antenna2/1.91 dBi/PIFA type

5G WIFI Antenna
 Walsin/Integral Antenna1/1.74 dBi/PIFA type
 Walsin/Integral Antenna2/1.74 dBi/PIFA type

EEPROM INFORMATION

BT

Vendor ID	0x0E8D
Product ID	0x7662

Wi-Fi

Reg Domain	World Wide 2.4G/5G Read from registry; Control by driver
	Offset 0x38 for 5G: 0xFF Offset 0x39 for 2.4G: 0xFF
Vendor ID	0x0E8D
Device ID	0x7662

ENVIRONMENTAL

OPERATING

Operating Temperature: 0 to 70 °C (32 to 158 °F)
 Relative Humidity: 5-90% (non-condensing)

STORAGE

Temperature: -40 to 80 °C (-40 to 176 °F)
 Relative Humidity: 5-95% (non-condensing)

FCC Statement:

Federal Communication Commission Interference Statement

This equipment has been tested and found to comply with the limits for a Class B digital device, pursuant to Part 15 of the FCC Rules. These limits are designed to provide reasonable protection against harmful interference in a residential installation. This equipment generates, uses and can radiate radio frequency energy and, if not installed and used in accordance with the instructions, may cause harmful interference to radio communications. However, there is no guarantee that interference will not occur in a particular installation. If this equipment does cause harmful interference to radio or television reception, which can be determined by turning the equipment off and on, the user is encouraged to try to correct the interference by one of the following measures:

- Reorient or relocate the receiving antenna.
- Increase the separation between the equipment and receiver.
- Connect the equipment into an outlet on a circuit different from that to which the receiver is connected.
- Consult the dealer or an experienced radio/TV technician for help.

FCC Caution: Any changes or modifications not expressly approved by the party responsible for compliance could void the user's authority to operate this equipment.

This device complies with Part 15 of the FCC Rules. Operation is subject to the following two conditions: (1) This device may not cause harmful interference, and (2) this device must accept any interference received, including interference that may cause undesired operation.

For product available in the USA/Canada market, only channel 1~11 can be operated. Selection of other channels is not possible.

This device and its antenna(s) must not be co-located with any other transmitters except in accordance with FCC multi-transmitter product procedures.

Referring to the multi-transmitter policy, multiple-transmitter(s) and module(s) can be operated simultaneously without C2PC.

IMPORTANT NOTE:

FCC Radiation Exposure Statement:

This equipment complies with FCC radiation exposure limits set forth for an uncontrolled environment. This equipment should be installed and operated with minimum distance 20 cm between the radiator & your body.

IMPORTANT NOTE:

This module is intended for OEM integrator. The OEM integrator is responsible for the compliance to all the rules that apply to the product into which this certified RF module is integrated.

Additional testing and certification may be necessary when multiple modules are used.

20 cm minimum distance has to be able to be maintained between the antenna and the users for the host this module is integrated into. Under such configuration, the FCC radiation exposure limits set forth for an population/uncontrolled environment can be satisfied.

Any changes or modifications not expressly approved by the manufacturer could void the user's authority to operate this equipment.

USERS MANUAL OF THE END PRODUCT:

In the users manual of the end product, the end user has to be informed to keep at least 20 cm separation with the antenna while this end product is installed and operated. The end user has to be informed that the FCC radio-frequency exposure guidelines for an uncontrolled environment can be satisfied. The end user has to also be informed that any changes or modifications not expressly approved by the manufacturer could void the user's authority to operate this equipment. If the size of the end product is smaller than 8x10cm, then additional FCC part 15.19 statement is required to be available in the users manual: This device complies with Part 15 of FCC rules. Operation is subject to the following two conditions: (1) this device may not cause harmful interference and (2) this device must accept any interference received, including interference that may cause undesired operation.

LABEL OF THE END PRODUCT:

The final end product must be labeled in a visible area with the following " Contains TX FCC ID: PPQ-WCBN4510R ". If the size of the end product is larger than 8x10cm, then the following FCC part 15.19 statement has to also be available on the label: This device complies with Part 15 of FCC rules. Operation is subject to the following two conditions: (1) this device may not cause harmful interference and (2) this device must accept any interference received, including interference that may cause undesired operation.

OEM Integrator Checklist

The party below will implement the LITE-ON Module in host systems in accordance with the instructions specified in this document and the documents referenced herein.

1. The OEM integrator will ensure the Module is integrated in a host systems using only the approved antenna model(s) described in this document.
2. The OEM integrator will ensure the antenna placement inside the host system will maintain the required spacing to end user for RF Exposure compliance, as specified in this document.
3. If other radios are integrated inside the host with the LITE-ON Module, the OEM integrator will contact its test lab, TCB or LITE-ON to determine if additional FCC compliance evaluation is required to meet FCC collocation rules.
4. The OEM integrator will ensure end user documentation will contain the specified regulatory wording and ensure the host system and the Module itself are labeled as specified in this document.
5. The OEM integrator will ensure the Module is programmed in the factory with compliant transmit power not exceeding the levels specified in this document.

LITE-ON requests that the OEM integrator acknowledge its receipt of this document and the above instructions. You may contact LITE-ON with any questions concerning this document or the responsibilities of the OEM integrator.

IC Statement:

This device complies with Industry Canada license-exempt RSS standard(s). Operation is subject to the following two conditions: (1) this device may not cause interference, and (2) this device must accept any interference, including interference that may cause undesired operation of the device.

Le présent appareil est conforme aux CNR d'Industrie Canada applicables aux appareils radio exempts de licence. L'exploitation est autorisée aux deux conditions suivantes : (1) l'appareil ne doit pas produire de brouillage, et (2) l'utilisateur de l'appareil doit accepter tout brouillage radioélectrique subi, même si le brouillage est susceptible d'en compromettre le fonctionnement.

For product available in the USA/Canada market, only channel 1~11 can be operated. Selection of other channels is not possible.

Pour les produits disponibles aux États-Unis / Canada du marché, seul le canal 1 à 11 peuvent être exploités. Sélection d'autres canaux n'est pas possible.

This device and its antenna(s) must not be co-located with any other transmitters except in accordance with IC multi-transmitter product procedures.

Referring to the multi-transmitter policy, multiple-transmitter(s) and module(s) can be operated simultaneously without reassessment permissive change.

Cet appareil et son antenne (s) ne doit pas être co-localisés ou fonctionnement en association avec une autre antenne ou transmetteur.

The device for operation in the band 5150–5250 MHz is only for indoor use to reduce the potential for harmful interference to co-channel mobile satellite systems.

les dispositifs fonctionnant dans la bande 5150-5250 MHz sont réservés uniquement pour une utilisation à l'intérieur afin de réduire les risques de brouillage préjudiciable aux systèmes de satellites mobiles utilisant les mêmes canaux.

The maximum antenna gain permitted for devices in the band 5725-5850 MHz shall be such that the equipment still complies with the e.i.r.p. limits specified for point-to-point and non-point-to-point operation as appropriate.

le gain maximal d'antenne permis (pour les dispositifs utilisant la bande 5725-5850 MHz) doit se conformer à la limite de p.i.r.e. spécifiée pour l'exploitation point à point et non point à point, selon le cas.

Dynamic Frequency Selection (DFS) for devices operating in the bands 5250- 5350 MHz, 5470-5600 MHz and 5650-5725 MHz.

Sélection dynamique de fréquences (DFS) pour les dispositifs fonctionnant dans les bandes 5250-5350 MHz, 5470-5600 MHz et 5650-5725 MHz.

The maximum antenna gain permitted for devices in the bands 5250-5350 MHz and 5470-5725 MHz shall be such that the equipment still complies with the e.i.r.p. limit.
le gain maximal d'antenne permis pour les dispositifs utilisant les bandes 5250-5350 MHz et 5470-5725 MHz doit se conformer à la limite de p.i.r.e.

Users should also be advised that high-power radars are allocated as primary users (i.e. priority users) of the bands 5250-5350 MHz and 5650-5850 MHz and that these radars could cause interference and/or damage to LE-LAN devices.

De plus, les utilisateurs devraient aussi être avisés que les utilisateurs de radars de haute puissance sont désignés utilisateurs principaux (c.-à-d., qu'ils ont la priorité) pour les bandes 5250-5350 MHz et 5650-5850 MHz et que ces radars pourraient causer du brouillage et/ou des dommages aux dispositifs LAN-EL.

Pour une utilisation en intérieur uniquement.

IMPORTANT NOTE:

IC Radiation Exposure Statement:

This equipment complies with IC RSS-102 radiation exposure limits set forth for an uncontrolled environment. This equipment should be installed and operated with minimum distance 20 cm between the radiator & your body.

Cet équipement est conforme aux limites d'exposition aux rayonnements IC établies pour un environnement non contrôlé. Cet équipement doit être installé et utilisé avec un minimum de 20 cm de distance entre la source de rayonnement et votre corps.

This module is intended for OEM integrator. The OEM integrator is still responsible for the IC compliance requirement of the end product, which integrates this module.

Any changes or modifications not expressly approved by the manufacturer could void the user's authority to operate this equipment.

USERS MANUAL OF THE END PRODUCT:

In the users manual of the end product, the end user has to be informed to keep at least 20 cm separation with the antenna while this end product is installed and operated. The end

user has to be informed that the IC radio-frequency exposure guidelines for an uncontrolled environment can be satisfied. The end user has to also be informed that any changes or modifications not expressly approved by the manufacturer could void the user's authority to operate this equipment. Operation is subject to the following two conditions: (1) this device may not cause harmful interference and (2) this device must accept any interference received, including interference that may cause undesired operation.

LABEL OF THE END PRODUCT:

The final end product must be labeled in a visible area with the following " Contains TX IC: 4491A-WCBN4510R ".