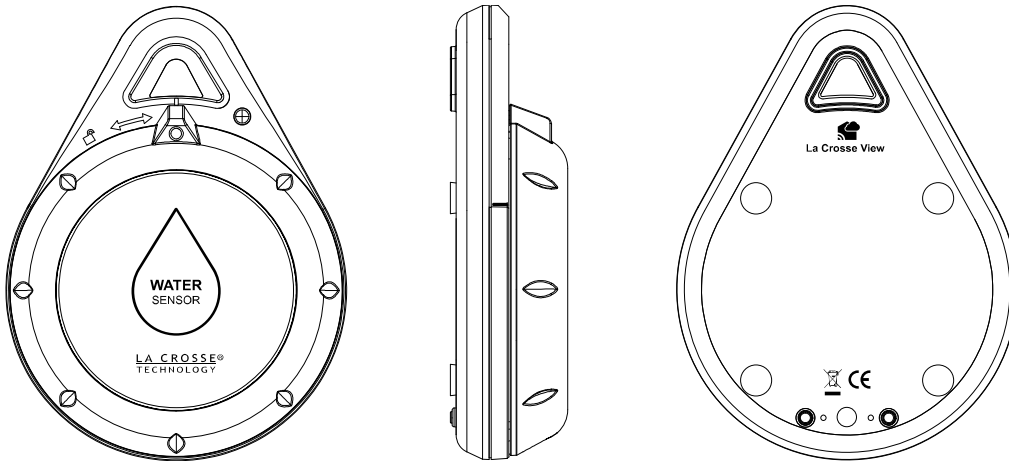


# LTV-WL1 Specifications 10-10-17

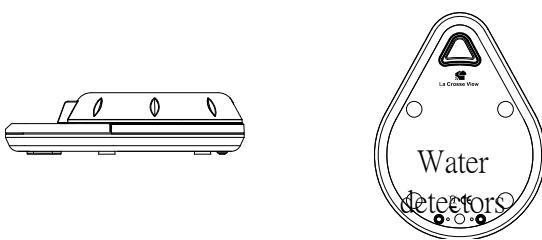


## Features:

- TX button for transmission
- Receive push notifications when water is detected to your La Crosse View app
- Power: 2 AA batteries
- Transmission Range 400 feet (121.92 meters)
- Water detection when water is 1/32" deep

## Position Water Leak Sensor

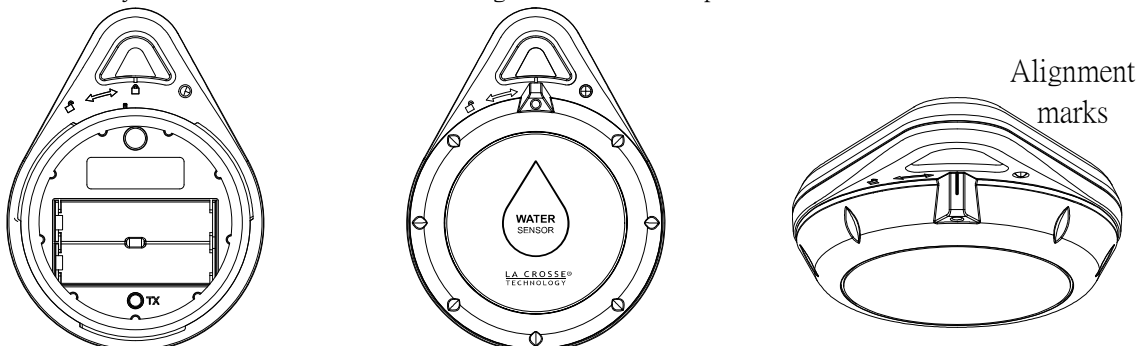
Sensor works best simply placed on a floor. IF place vertically the deep of the water to trigger the sensor needs to be higher.



Mounting  
Hole

## Insert Batteries

- Water leak sensor requires 2-AA batteries.
- Twist front of sensor to the left to unlock battery cover.
- Insert two AA batteries according to polarity.
- Place battery cover on front of sensor and twist right until marks line up to insure water resistance.



# LTV-WL1 Specifications 10-10-17



## LED Light

- Press the TX button at any time to force transmission the LED will flash.
- When water is detected, the LED will flash once per second, for 30 seconds.
- When water is no longer detected, the water leak detector will stop flashing.
- When the battery on the water leak detector needs to be replaced, the LED will flash once every second for 5 seconds, every 30 seconds.

## App Notifications

- Press the TX button at any time to force transmission the app should receive the data instantly
- When water is detected, a push notification will be sent to your mobile device from the La Cross View app.
- When water is no longer detected, a push notification will let you know the alert is no longer active.
- If connection is lost a push notification will be sent to your mobile device to alert you to check connection.
- When the battery is low and needs to be replaced, a push notification will notify you of the low battery.

## Transmission and Delta

- Sensor will check the delta at the intervals below and if Delta is not met it will not transmit data until the transmit interval is met.
- If Delta is met, sensor will transmit immediately.

Sensor Type	Readings	Delta	Check Delta	Transmit Interval
			<u>if delta not met</u>	
Water Sensing			any change	every minute
				3 minutes

## Low Battery Indicator

- When the battery on the water leak detector needs to be replaced, the LED will flash once every second for 5 seconds, every 30 seconds, and a push notification will notify you of the low battery.

## FCC Statement

This equipment has been tested and found to comply with the limits for a Class B digital device, pursuant to part 15 of the FCC Rules. These limits are designed to provide reasonable protection against harmful interference in a residential installation. This equipment generates uses and can radiate radio frequency energy and, if not installed and used in accordance with the instructions, may cause harmful interference to radio communications. However, there is no guarantee that interference will not occur in a particular installation. If this equipment does cause harmful

## LTV-WL1 Specifications 10-10-17

interference to radio or television reception, which can be determined by turning the equipment off and on, the user is encouraged to try to correct the interference by one or more of the following measures:

- Reorient or relocate the receiving antenna.
- Increase the separation between the equipment and receiver.
- Connect the equipment into an outlet on a circuit different from that to which the receiver is connected.
- Consult the dealer or an experienced radio/TV technician for help.

### FCC Statement

This device complies with Part 15 of the FCC Rules. Operation is subject to the following two conditions: (1) this device may not cause harmful interference, and (2) this device must accept any interference received, including interference that may cause undesired operation.

### Caution!

Any changes or modifications not expressly approved by the party responsible for compliance could void the user's authority to operate the equipment.

### Canada Statement

This device complies with Industry Canada's licence-exempt RSSs. Operation is subject to the following two conditions:

- (1) This device may not cause interference; and
- (2) This device must accept any interference, including interference that may cause undesired operation of the device.

Le présent appareil est conforme aux CNR d'Industrie Canada applicables aux appareils radio exempts de licence. L'exploitation est autorisée aux deux conditions suivantes :

- (1) l'appareil ne doit pas produire de brouillage;
- (2) l'utilisateur de l'appareil doit accepter tout brouillage radioélectrique subi, même si le brouillage est susceptible d'en compromettre le fonctionnement.