

# 7717-00-A说明书, 80克双胶纸, 黑色印刷

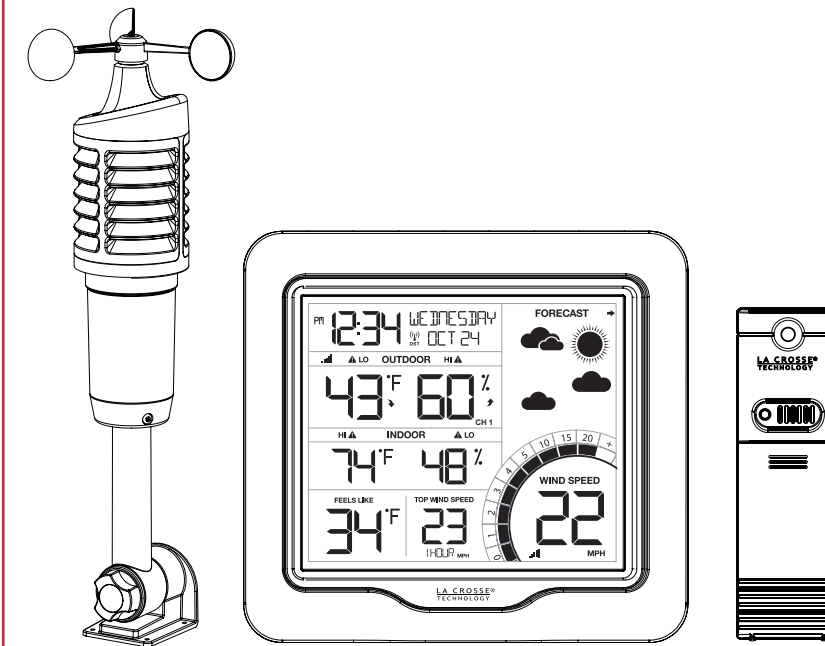
## 尺寸: 532x145mm

正面

LA CROSSE®  
TECHNOLOGY

### QUICK SETUP GUIDE

Color Professional Wind Station

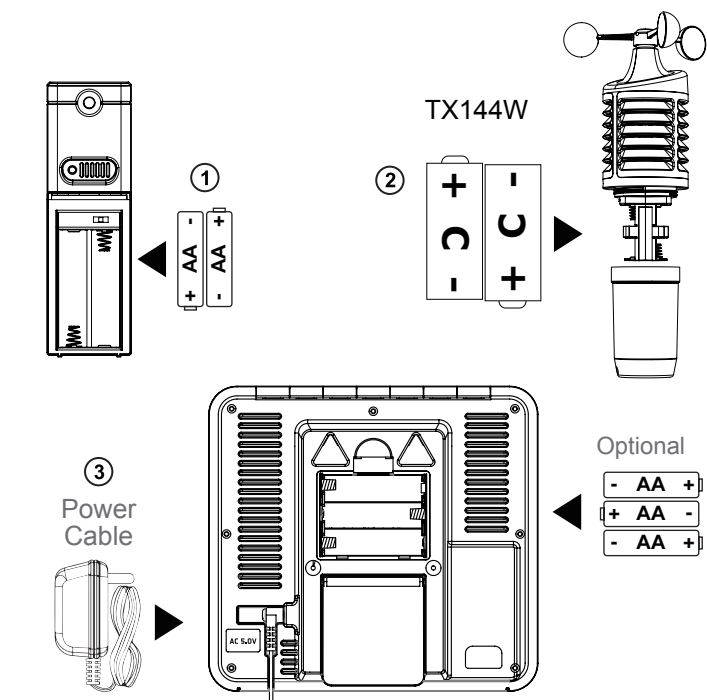


RX model: 327-1417 TX model: TX144W DC 011117  
Protected Under U.S. Patents: 5,978,738 | 6,076,044 | RE43903

#### Get Started

##### 1 Power Up

- Thermo-Hygro Sensor: 2-AA batteries
- Wind Sensor: 2-C batteries
- Weather Station: 5.0 volt power cable and 3-AA batteries (optional battery backup)



##### 2 Configure Basic Settings

Hold the **SET** button to enter set mode. Press and release the **-/CH** and **+** buttons to make adjustments and the **SET** button to confirm.

Settings Order:

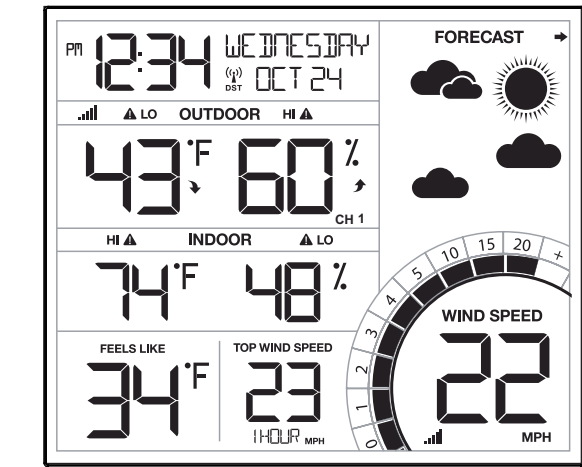
- Beep ON | OFF
- Atomic time ON | OFF
- Time zone
- Daylight Saving Time ON | OFF
- 12/24 hour format
- Hour
- Minutes
- Year
- Month
- Date
- Temperature (°F/°C)
- Wind speed MPH | KMH

North America Time Zones	
AST	Atlantic
EST	Eastern
CST	Central
MST	Mountain
PST	Pacific
AKT	Alaska
HAT	Hawaii

##### 3 Place Outdoor Sensors

- Thermo-Hygro Sensor: Position in a shaded location to protect from sun.
- Wind Sensor: Position in a high open area, clear from obstructions for 50 feet in all directions. The higher the mounting position, the more accurate the wind readings will be.

#### Display Icons



- Atomic Time
- Alerts
- Temp. Setting
- Percent RH
- Trend/Tendency
- Forecast Icon
- Sensor Strength
- Wind Setting

#### More Detailed Instructions

Follow this link for more detailed instructions:  
[www.lacrossetechnology.com/327-1417](http://www.lacrossetechnology.com/327-1417)



#### Functions

##### Set Alerts

- Hold **ALERTS** for 2 seconds to enter alert set mode
- Press **+/-** to adjust values and **ALERTS** to confirm

##### View Wind History

- Press **WIND** to view top wind speed history.

##### View Temperature Details

- Press **TEMP** to view temperature records, feels like records, and dew point.

##### Search for Sensors

- Hold **TEMP** 3 seconds to search for TH sensor
- Hold **WIND** 3 seconds to search for Wind sensor

##### Change Channels (with multiple TH sensors)

- Press **-/CH** to toggle channels (1, 2, 3)

##### Adjust Display Brightness

- Press **LIGHT** to adjust display brightness (HI/LO/OFF) when using the provided power adapter.

##### Exit Menu

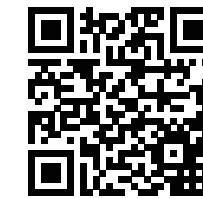
- Press **LIGHT** to exit any menu

##### Factory Reset

- Hold **ALERTS** and **LIGHT** for 5 seconds to reset

背面

#### Follow Us on Social Media!



[www.lacrossetechnology.com/socialmedia](http://www.lacrossetechnology.com/socialmedia)



Latest Video Content  
[http://bit.ly/LaxTech\\_YouTube](http://bit.ly/LaxTech_YouTube)



For Personal Interaction  
[http://bit.ly/LaxTech\\_Facebook](http://bit.ly/LaxTech_Facebook)



Join the Conversation  
[http://bit.ly/LaxTech\\_Twitter](http://bit.ly/LaxTech_Twitter)



Pin and Share  
[http://bit.ly/LaxTech\\_Pinterest](http://bit.ly/LaxTech_Pinterest)

#### Specifications

<b>Indoor</b>	<ul style="list-style-type: none"> <li>Temperature Range: 32°F to 122°F (0°C to 50°C)</li> <li>Humidity Range: 10% to 99% RH</li> <li>Update Interval: About every 60 seconds</li> </ul>
<b>TH Sensor</b>	<ul style="list-style-type: none"> <li>Temperature Range: -40°F to 140°F (-40°C to 60°C)</li> <li>Humidity Range: 10% to 99% RH</li> <li>Update Interval: About every 58 seconds</li> <li>Transmission Range: 330 ft (100 m) RF 433MHz open air</li> </ul>
<b>Wind Sensor</b>	<ul style="list-style-type: none"> <li>Wind Speed Range: 0-111.8 mph (0-180 kmh)</li> <li>Update Interval: About every 30 seconds</li> <li>Transmission Range: 330 ft (100 m) RF 433MHz open air</li> </ul>
<b>Power</b>	<ul style="list-style-type: none"> <li>Weather Station: 5.0 Volt 150mA adapter included (Primary)</li> <li>ACB: GPU28500150WAOO</li> <li>Optional Battery: 3-AA, IEC, LR6 batteries (not included)</li> <li>TX144W: 2-C, IEC, LR14 batteries (not included)</li> <li>TX141TH-BCH: 2-AA, IEC, LR6 batteries (not included)</li> </ul>
<b>Battery Life</b>	<ul style="list-style-type: none"> <li>Weather Station: over 12 months when using adapter.</li> <li>Wind sensor   TH sensor: over 24 months with reputable batteries</li> </ul>
<b>Dimensions</b>	<ul style="list-style-type: none"> <li>Weather Station: 6.88" W x 6.37" H x 1.33" D in (17.5cm W x 16.2cm H x 3.4cm D)</li> <li>TX144W Wind sensor: 18.57" H x 7.10" W x 7.10" D (47.2cm H x 18.0cm W x 18.0cm D)</li> <li>TX141TH-BCH Sensor: 1.57" W x 5.12" H x 0.79" D (4.0cm W x 13.0cm H x 2.0cm D)</li> </ul>

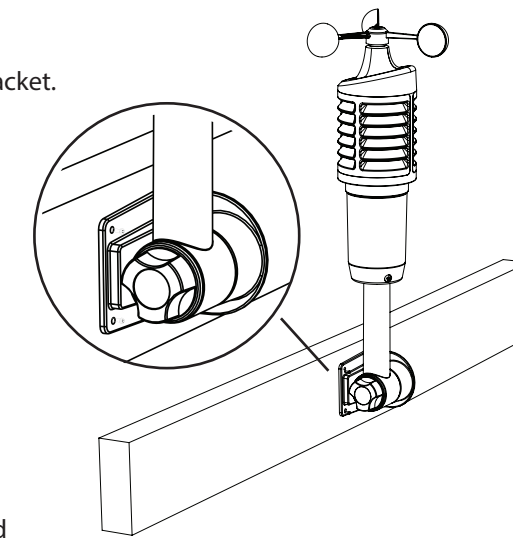
#### Care and Maintenance

- Do not mix old and new batteries
- Do not mix Alkaline, standard, Lithium, or rechargeable batteries
- Always purchase the correct size and grade of battery most suitable for intended use.
- Replace all batteries of a set at the same time.
- Clean the battery contacts and also those of the device prior to battery installation.
- Ensure the batteries are installed with correct polarity (+ and -).
- Remove batteries from equipment which is not to be used for an extended period of time.
- Promptly remove expired batteries.

#### Position Wind Sensor

- For the most accurate wind speed readings, mount the TX141W sensor as the highest object for 50 feet in all directions.
- Cups should be on the top of the sensor. Mount vertically.
- The maximum wireless transmission range to the wind station is over 300 feet (91 meters) in open air, not including walls or trees.

- Insert mounting pole into sensor.
- Tighten screws.
- Insert bottom of pole into mounting bracket.
- Tighten knob to secure.
- Use screws through the bottom of the mounting bracket to attach.
- The sensor can be mounted from the bottom or side. (the picture is of the sensor mounted from the side)



Alternatively:

- Insert your own mounting pole into the sensor.
- Tighten screws (mounting bracket would not be used).

Note: Do not attempt to insert a pole into the hollow back of the mounting bracket.

#### Warranty

La Crosse Technology, Ltd. provides a 1-year limited time warranty (from date of purchase) on this product relating to manufacturing defects in materials & workmanship. Before returning a product, please visit the product web page for more information or contact our friendly customer support. Online: [www.lacrossetechnology.com/support](http://www.lacrossetechnology.com/support) Phone: 1-608-782-1610

View full warranty details online at:  
[www.lacrossetechnology.com/warranty\\_info.pdf](http://www.lacrossetechnology.com/warranty_info.pdf)

#### FCC Statement

This equipment has been tested and found to comply with the limits for a Class B digital device, pursuant to part 15 of the FCC Rules. These limits are designed to provide reasonable protection against harmful interference in a residential installation. This equipment generates uses and can radiate radio frequency energy and, if not installed and used in accordance with the instructions, may cause harmful interference to radio communications. However, there is no guarantee that interference will not occur in a particular installation. If this equipment does cause harmful interference to radio or television reception, which can be determined by turning the equipment off and on, the user is encouraged to try to correct the interference by one or more of the following measures:

- Reorient or relocate the receiving antenna.
- Increase the separation between the equipment and receiver.
- Connect the equipment into an outlet on a circuit different from that to which the receiver is connected.
- Consult the dealer or an experienced radio/TV technician for help.

This device complies with Part 15 of the FCC Rules. Operation is subject to the following two conditions:  
(1) This device may not cause harmful interference, and  
(2) This device must accept any interference received, including interference that may cause undesired operation.

#### Caution!

Any changes or modifications not expressly approved by the party responsible for compliance could void the user's authority to operate the equipment.

#### Canada Statement

This device complies with Industry Canada's licence-exempt RSSs. Operation is subject to the following two conditions:  
(1) This device may not cause interference; and  
(2) This device must accept any interference, including interference that may cause undesired operation of the device.

Le présent appareil est conforme aux CNR d'Industrie Canada applicables aux appareils radio exempts de licence. L'exploitation est autorisée aux deux conditions suivantes:  
(1) l'appareil ne doit pas produire de brouillage;  
(2) l'utilisateur de l'appareil doit accepter tout brouillage radioélectrique subi, même si le brouillage est susceptible d'en compromettre le fonctionnement.