



## Hardware Integration Guide

Laird WB45NBT

Version 0.6

**global solutions: local support™**

Americas: +1-800-492-2320 Option 3

Europe: +44-1628-858-940

Hong Kong: +852-2268-6567 x026

[www.lairdtech.com/wireless](http://www.lairdtech.com/wireless)

## REVISION HISTORY

Version	Revision Date	Change Description	Approval
0.1	10/29/12	Preliminary Version	
0.2	11/19/12	Corrected module thickness to 3.8 mm. Added the CAN bus to the Pin Definitions and Specs table. Added product images. New mechanical drawing.	
0.3	03/25/12	Removed documentation of 802.11n HT40 support. Added Current Consumption numbers (Standby numbers remain TBDs) Updated Rx Sensitivity numbers. Changed Summit/SDC references to <i>Laird</i>	
0.4	05/08/2013	Added Antenna Connector diagram. Updated mechanical drawing. Removed references to HT40 data rate support.	
0.5	7/5/2013	Updated BT maximum transmit power.	
0.6	09 August 2013	Updated regulatory information including certified antennas, FCC, IC, and CE documentation requirements. Updated mechanical drawings	
0.7	9/18/2015	Updated regulatory information including certified antennas, FCC, and IC	

## CONTENTS

Revision History .....	2
Contents .....	3
Scope .....	4
Operational Description.....	4
Block Diagram.....	6
Specifications.....	6
Absolute Maximum Ratings.....	15
Recommended Operating Conditions and DC power Electrical Characteristics.....	15
Power on Sequence.....	16
DC Electrical Characteristics (3.3 V signal level).....	17
DC Electrical Characteristics (1.8 V signal level).....	18
Pin Definitions.....	20
Mechanical Specification.....	25
Regulatory .....	26

PRELIMINARY

## SCOPE

This document describes key hardware aspects of the Laird WB45NBT wireless bridge module. This document is intended to assist device manufacturers and related parties with the integration of this module into their host devices. Data in this document are drawn from a number of sources including data sheets for the QUALCOMM Atheros AR6003, CSR CSR8510, and Atmel AT91SAM9G25.

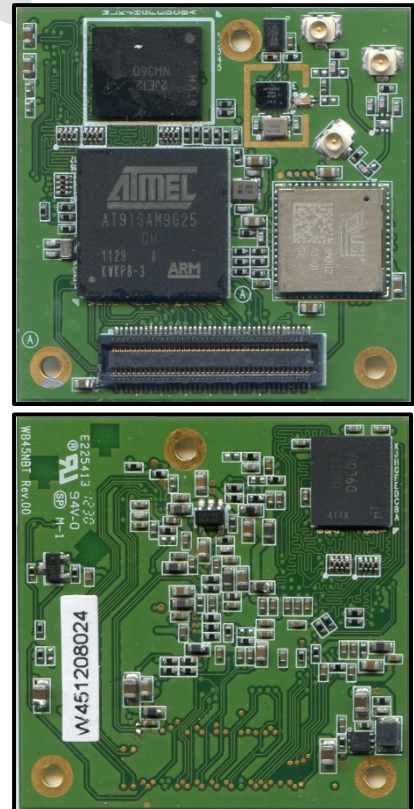
Because the LAIRD WB45NBT is currently in development stage, this document is preliminary and the information in this document is subject to change. Please contact Summit or visit the Summit website at [www.summitdata.com](http://www.summitdata.com) to obtain the most recent version of this document.

## OPERATIONAL DESCRIPTION

This device is a LAIRD WB45NBT wireless bridge module, a wireless communications subsystem that may be integrated into a variety of host devices via a number of available electronic and logical interfaces. The LAIRD WB45NBT provides complete enterprise-class Wi-Fi connectivity with an integrated TCP/IP stack, full support for IEEE 802.11a/b/g/n and Bluetooth 4.0 dual-mode air standards with a fully integrated security supplicant providing 802.11i/WPA2 Enterprise authentication, data encryption, and BT protocol stacks.

The WB45NBT has a wide variety of interfaces including Fast Ethernet, serial UART, Hi-Speed USB, SPI, and I2C. The wireless bridge may be configured, monitored, and managed via a Command Line Interface (CLI) over an available dedicated console port, via a web interface over a wireless or Ethernet interface, or via a remote SDK interface over wireless or Ethernet.

The WB45NBT incorporates a Wi-Fi SiP module using Qualcomm Atheros AR6003 which supports IEEE 802.11a/b/g/n. The CSR (CSR8510) Bluetooth chip supports Bluetooth standard 4.0 which includes the Bluetooth Low Energy (BLE) and legacy modes. The product features an ARM9 processor running at 400 MHz, 64 MB of Lower Power DDR (LPDDR) memory, and 128 MB of NAND flash storage running at 1.8 V to minimize power consumption. Several GPIO lines are available for data acquisition and similar applications. The platform runs an embedded Linux operating system based on the 3.x kernel. A Software Developer's Kit (SDK) with Application



Programming Interfaces (API) and software tools are available for the development of custom software applications on the device.

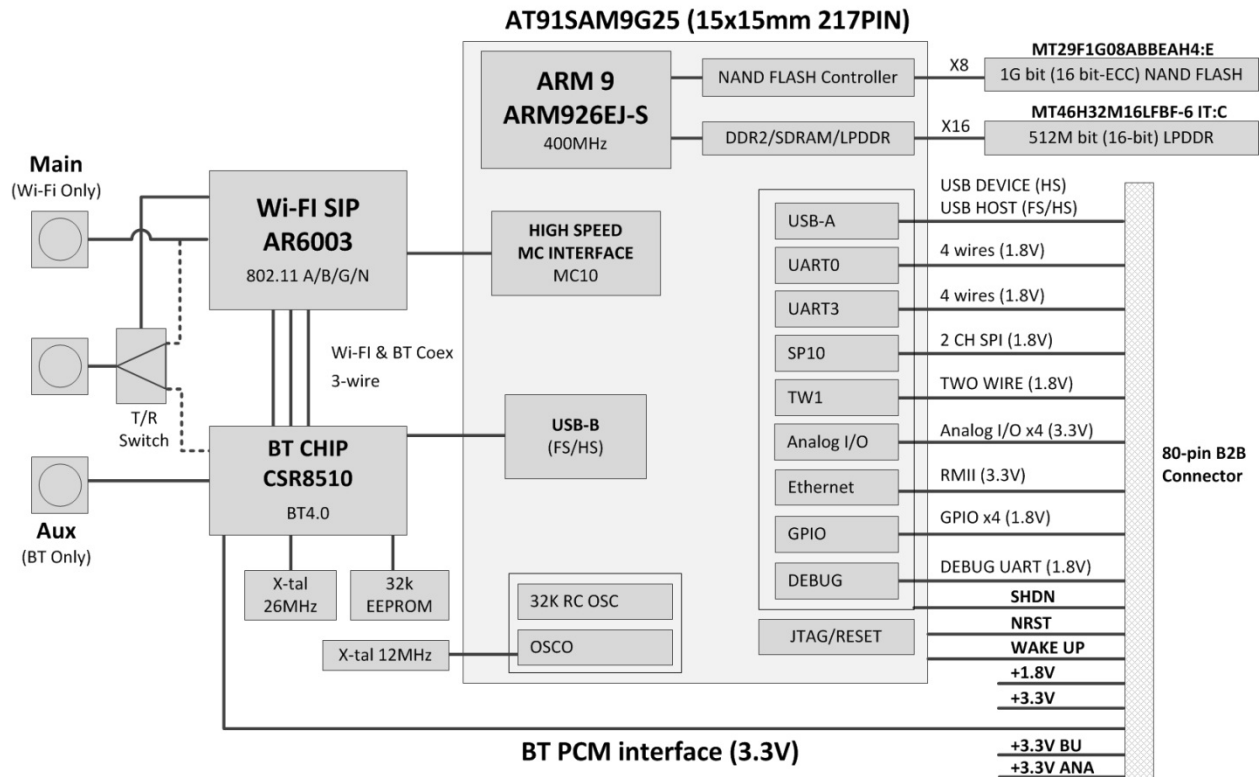
The WB45NBT measures 40 mm long by 40 mm wide by 3.8 mm thick. The wireless bridge physically interfaces to the host device via an 80 pin board to board (B2B) connector (Molex SlimStack™ 54722 Series 80 Pin Connector P/N 54722-0804), which mates to a 1.5 mm stacking height mating part from Molex 55560 Series P/N 55560-0804. The WB45NBT may be secured to the host device via available grounded mounting holes. The WB45NBT operates at temperatures between -20° and + 70° degrees Celsius.

Contingent on compliance results, WB45NBT is a fully integrated module. It has its own RF shielding and does not require shielding provided by the host device into which it is installed in order to maintain compliance with applicable regulatory standards. As such, the device may be tested in a standalone configuration via a breakout board (SDC-BB45NBT).

The WB45NBT provides three U.FL type antenna connectors; the Main antenna (for Wi-Fi) and the Auxiliary (for Bluetooth) work separately to get the best coexistence performance. A third antenna connector multiplexes both the Wi-Fi and the Bluetooth signals into a single RF port through the use of a T/R switch however, this mode of operation is currently not supported. Supported host device antenna types include dipole and monopole antennas.

Regulatory operational requirements are included in this document and may be incorporated into the operating manual of any device into which the WB45NBT is installed. The WB45NBT is designed for installation into mobile devices which typically operate at distances greater than 20 cm from the human body and portable devices which typically operate at distances less than 20 cm from the human body. See "[Documentation Requirements](#)" for more information.

## BLOCK DIAGRAM



**Note:** Transmitter frequencies for Wi-Fi are 2412-2462 MHz and 5180-5805 MHz. Transmitter frequencies for Bluetooth are 2402-2480 MHz.

**Note:** Bluetooth functions on the AUX port and Wi-Fi operates at the Main antenna only.

The WB45NBT does not currently support Wi-Fi and BT sharing a single antenna implementation.

## SPECIFICATIONS

Feature	Description
---------	-------------

<b>Physical Interface</b>	Pitch: 0.5 mm Stacking height: 1.50 mm Molex 54722 Series 80 Pin Connector P/N 54722-0804 <b>Mating part:</b> Molex 55560 Series 80 Pin Connector P/N 55560-0804 <b>Note:</b> See <a href="#">Mounting</a> for mating connector options.
<b>Ethernet Interface</b> (3.3 V signal level)	10/100 Mbps RMII (Reduced Media Independent Interface)
<b>Asynchronous Serial Port Interfaces</b> (1.8 V signal level)	Four-wire UART with hardware handshaking (up to 921,600 baud) Two-wire UART (console) for debug purpose
<b>SPI Interface</b> (1.8 V signal level)	Five Wire, Master and Slave modes supported with 2 chip select
<b>USB Interfaces</b>	Configurable USB Host port/Device port to support USB full speed and high speed data rates
<b>Two Wire Interface</b> (1.8V signal level)	Two-wire I2C (Inter-IC)
<b>CAN Interface</b> (1.8V signal level)	Controller area network (multiplexed with Two-wire UART)
<b>Debug Interface</b>	Two-wire UART (console) for debug purpose
<b>Digital GPIO</b> (1.8 V signal level)	4 digital General Purpose I/O (GPIO)
<b>Analog GPIO</b> (3.3 V signal level)	4 analog General Purpose I/O (GPIO)
<b>PCM interface</b>	13-bit or 16-bit linear, 8-bit $\mu$ -law or A-law companded sample formats
<b>Antenna Interface</b>	2 Hirose U.FL connectors for Wi-Fi (Main) and BT (Aux) separately, 50 ohm <b>Note:</b> Wi-Fi and BT sharing a single antenna is <b>NOT</b> currently supported.

<b>Wi-Fi Interface</b>	Qualcomm Atheros AR6003 1X1 802.11 a/b/g/n on 20 MHz bandwidth
<b>Bluetooth Interface</b>	CSR CSR8510 Bluetooth 4.0 dual-mode (EDR+BLE)
<b>Processor Chip Set</b>	Atmel 400 MHz ARM 9, P/N AT91SAM9G25-CU
<b>Operating System</b>	Embedded Linux, 3.x kernel
<b>Memory</b>	64 MB LPDDR
<b>Storage</b>	128 MB SLC NAND flash
<b>Input Voltage Requirements</b>	3.3 VDC +/-5% (Backup) 3.3 VDC ±5% (system) 1.8 VDC +/-5% (Memory and I/O interface)
	<b>Note:</b> Voltage ripple must be less than 30 mV.

Current Consumption	Mode	1.8 V		3.3 V			
		Avg. Current	Max. Current	Avg. Current	Max. Current		
<b>Note:</b> These current consumption measurements were taken using Linux kernel version 2.6.38.	<b>802.11a</b>	Transmit	80	120	297	484	
		Receive	97	-	47	-	
		Standby	TBD	TBD	TBD	TBD	
	<b>802.11b</b>	Transmit	75	108	243	368	
		Receive	97	-	47	-	
		Standby	TBD	TBD	TBD	TBD	
	<b>Note:</b> Standby refers to the radio operating in PM1 power saving mode.	<b>802.11g</b>	Transmit	80	115	210	361
			Receive	97	-	47	-
			Standby	TBD	TBD	TBD	TBD
<b>802.11n (2.4 GHz)</b>	Transmit	81	120	194	342		
	Receive	97	-	47	-		
	Standby	TBD	TBD	TBD	TBD		
<b>802.11n (5 GHz)</b>	Transmit	TBD	120	293	448		
	Receive	97	-	47	-		
	Standby	TBD	TBD	TBD	TBD		
<b>Sleep</b>	N/A	TBD	TBD	TBD	TBD		



<b>Operating Temperature</b>	-20° to +70°C (-4°F to 158°F)
<b>Operating Humidity</b>	10 to 90% (non-condensing)
<b>Storage Temperature</b>	-30° to 85°C (-22° to 185°F)
<b>Storage Humidity</b>	10 to 90% (non-condensing)
<b>Maximum Electrostatic Discharge</b>	Maximum Contact Discharge (CD): 4 kV Maximum Air Discharge (AD): 8 kV
<b>Length/Width/Thickness</b>	40 mm (1.57 in.) x 40 mm (1.57 in.) x 3.8 mm (0.15 in.)  <b>Note:</b> Length, width, and thickness measurements include the metal shielding.
<b>Weight</b>	6.8 g (0.24 oz.)
<b>Mounting</b>	Connector and through holes.  Refer to " <a href="#">Mechanical Specifications</a> " for additional information.  Recommended:  <b>Connector:</b> <ul style="list-style-type: none"> <li>▪ Molex SlimStack™ P/N 55560-0807 (pitch: 0.50 mm; stack height: 1.500 mm)</li> <li>▪ Mating part: Molex 55560 Series 80 Pin Connector P/N 55560-0804</li> <li>▪ <b>Stand-off:</b> EMI STOP F40M20-151126D4BM <a href="http://www.emistop.com">http://www.emistop.com</a></li> </ul>
<b>Wi-Fi Media</b>	Direct Sequence-Spread Spectrum (DSSS)  Complementary Code Keying (CCK)  Orthogonal Frequency Divisional Multiplexing (OFDM)
<b>Wi-Fi Media Access Protocol</b>	Carrier sense multiple access with collision avoidance (CSMA/CA)
<b>Network Architecture</b>	Infrastructure and ad hoc
<b>Wi-Fi Standards</b>	IEEE 802.11a, 802.11b, 802.11d, 802.11e, 802.11g, 802.11h, 802.11i, 802.11n

<b>Wi-Fi Data Rates Supported</b>	<b>802.11a</b> (OFDM): 6, 9, 12, 18, 24, 36, 48, 54 Mbps <b>802.11b</b> (DSSS, CCK): 1, 2, 5.5, 11 Mbps <b>802.11g</b> (OFDM): 6, 9, 12, 18, 24, 36, 48, 54 Mbps <b>802.11n</b> (OFDM,HT20,MCS 0-7): 6.5,13,19.5, 26, 39,52, 58.5, 72.2 Mbps 7.2,14.4, 21.7, 28.9,43.3, 57.8, 65 Mbps		
<b>Modulation</b>	BPSK @ 1, 6, 6.5, 7.2 and 9 Mbps QPSK @ 2, 12, 13, 14.4,18, 19.5 and 21.7 Mbps CCK @ 5.5 and 11 Mbps 16-QAM @ 24, 26, 28.9, 36, 39 and 43.3 Mbps 64-QAM @ 48, 52, 54, 57.8, 58.5, 65, and 72.2 Mbps		
<b>802.11n Spatial Streams</b>	1X1 SISO (Single Input, Single Output)		
<b>Regulatory Domain Support</b>	FCC (Americas, Parts of Asia, and Middle East) ETSI (Europe, Middle East, Africa, and Parts of Asia) MIC (Japan) (formerly TELEC) KC (Korea) (formerly KCC)		
<b>2.4 GHz Frequency Bands</b>	<b>ETSI:</b> 2.4 GHz to 2.483 GHz <b>FCC:</b> 2.4 GHz to 2.483 GHz	<b>MIC:</b> 2.4 GHz to 2.495 GHz <b>KC:</b> 2.4 GHz to 2.483 GHz	
<b>2.4 GHz Operating Channels</b>	<b>ETSI:</b> 13 (3 non-overlapping) <b>FCC:</b> 11 (3 non-overlapping)	<b>MIC:</b> 14 (4 non-overlapping) <b>KC:</b> 13 (3 non-overlapping)	
<b>5 GHz Frequency Bands</b>	<b>ETSI:</b> 5.15 GHz to 5.35 GHz 5.47 GHz to 5.725 GHz <b>FCC:</b> 5.15 GHz to 5.35 GHz 5.725 GHz to 5.825 GHz	<b>MIC:</b> 5.15 GHz to 5.35 GHz 5.47 GHz to 5.725 GHz (W56) <b>KC:</b> 5.15 GHz to 5.25 GHz 5.725 GHz to 5.825 GHz	
<b>5 GHz Operating Channels</b>	<b>ETSI:</b> 19 non-overlapping <b>FCC:</b> 23 non-overlapping	<b>MIC:</b> 4 non-overlapping <b>KC:</b> 8 non-overlapping	

---

<b>Maximum Transmit Power</b>	<b>802.11a</b>	
	6 Mbps	15 dBm ( 31.623 mW)
	54 Mbps	13 dBm ( 19.953 mW)
<b>Note:</b> Maximum transmits power varies according to individual country regulations. All values nominal, +/-2 dBm.	<b>802.11b</b>	
	1 Mbps	16 dBm ( 39.81 mW)
	11 Mbps	16 dBm ( 39.81mW)
	<b>802.11g</b>	
	6 Mbps	16 dBm ( 39.81 mW)
	54 Mbps	14 dBm ( 25.12 mW)
	<b>802.11n (2.4 GHz)</b>	
	6.5 Mbps (MCS0)	16 dBm (39.81 mW)
	65 Mbps (MCS7)	12 dBm (15.85 mW)
<b>Note:</b> Summit 45 series radios support a single spatial stream and 20 MHz channel bandwidth at 2.4GHz.	<b>802.11n (5 GHz HT20)</b>	
	6.5 Mbps (MCS0)	15 dBm ( 31.62mW)
	65 Mbps (MCS7)	12 dBm ( 15.85mW)
	<b>Bluetooth</b>	
	6 dBm (3.98mW) (Class 1)	

---

PRELIMINARY

---

<b>Typical Receiver</b>	<b>802.11a:</b>	
<b>Sensitivity</b>	6 Mbps	-93 dBm
	54 Mbps	-77 dBm (PER <= 10%)
<b>Note:</b> All values	<b>802.11b:</b>	
nominal, +/-3	1 Mbps	-93 dBm
dBm.	11 Mbps	-84 dBm (PER <= 8%)
	<b>802.11g:</b>	
	6 Mbps	-90 dBm
	54 Mbps	-73 dBm (PER <= 10%)
	<b>802.11n (2.4 GHz)</b>	
	MCS0 Mbps	-89 dBm
	MCS7 Mbps	-71 dBm
	<b>802.11n (5 GHz HT20)</b>	
	MCS0 Mbps	-93 dBm
	MCS7 Mbps	-77 dBm
	<b>Bluetooth:</b>	
	1 Mbps	-89 dBm
	2 Mbps	-91 dBm
	3 Mbps	-85 dBm

---

---

**Security**

**Standards**

- Wireless Equivalent Privacy (WEP)
- Wi-Fi Protected Access (WPA)
- IEEE 802.11i (WPA2)

**Encryption**



- Wireless Equivalent Privacy (WEP, RC4 Algorithm)
- Temporal Key Integrity Protocol (TKIP, RC4 Algorithm)
- Advanced Encryption Standard (AES, Rijndael Algorithm)

**Encryption Key Provisioning**

- Static (40-bit and 128-bit lengths)
- Pre-Shared (PSK)
- Dynamic

**802.1X Extensible Authentication Protocol Types**

- EAP-FAST
- EAP-TLS
- EAP-TTLS
- PEAP-GTC
- PEAP-MSCHAPv2
- PEAP-TLS
- LEAP

<b>Compliance</b>	<b>ETSI Regulatory Domain</b>	
<b>Note:</b> These regulatory domain certifications are pending.	EN 300 328 EN 300 328 v1.7.1 (BT 2.1) EN 301 489-1 EN 301 489-17 EN 301 893 EN 60950-1	EN 55022:2006 Class B EN 55024:1998 +A1:2001, A2:2003 EN 61000-3-2:2006 EN 61000-3-3:1995 +A1:2001, A2:2005 EU 2002/95/EC (RoHS)
	<b>FCC Regulatory Domain</b>	
	FCC 15.247 DTS – 802.11b/g (Wi-Fi): 2.4 GHz & 5.8 GHz FCC 15.407 UNII – 802.11a (Wi-Fi): 2.4 GHz & 5.4 GHz FCC 15.247 DSS – BT 2.1 FCC Part 15 Class B UL 60950	
	<b>Industry Canada</b>	
	RSS-210 – 802.11a/b/g/n (Wi-Fi) – 2.4 GHz, 5.8 GHz, 5.2 GHz, and 5.4 GHz ICES-003, Class B CSA C22.2, No. 60950 RSS-210 – BT 2.1	
	<b>MIC (Japan) Regulatory Domain (formerly TELEC)</b>	
	Article 2 Item 19, Category WW (2.4GHz Channels 1-13) Article 2 Item 19-2, Category GZ (2.4GHz Channel 14) Article 2 Item 19-3 Category XW (5150-5250 W52 & 5250-5350 W53) VCCI Class B Article 2-1 Item 19-2 (BT 2.1)	
<b>Certifications</b>	<b>Wi-Fi Alliance</b>	
<b>Note:</b> These certifications are pending.	802.11a, 802.11b, 802.11g , 802.11n WPA Enterprise WPA2 Enterprise	
	Cisco Compatible Extensions (Version 4)	

<b>Warranty</b>	Limited Lifetime
All specifications are subject to change without notice	

### Absolute Maximum Ratings

Parameter	Comments	Conditions	Min.	Typ.	Max.	Unit
Input Voltage	3.3V VCC pin	With respect to ground	-0.3	-	3.8	V
	1.8V VCC pin		-0.3	-	2.0	V
	Any 3.3V IO pin		-0.3	-	3.8	V
	Any 1.8V IO pin		-0.3	-	2.0	V
RF input		Maximum RF input from the antenna port (reference to 50 ohm)			+10	dBm

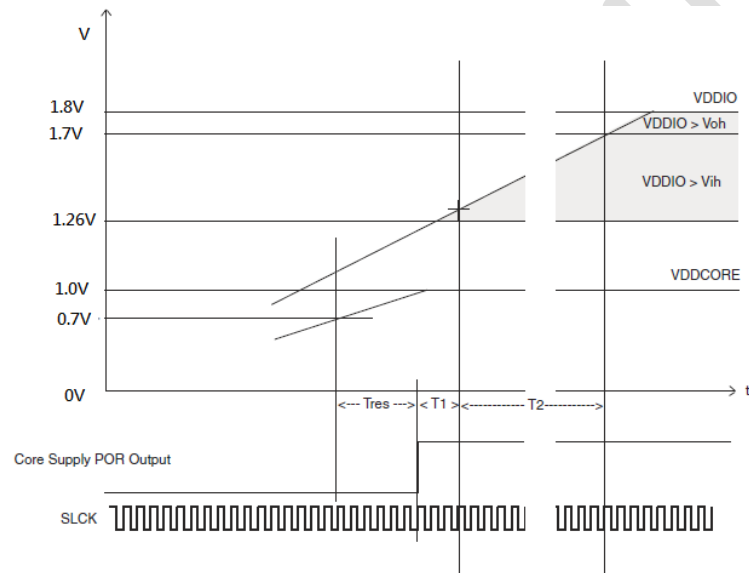
**Note:** Voltage operated over the maximum limit may cause permanent damage to the device. These are stress ratings only; functional operation of the device at these or any other conditions beyond those indicated under [Recommended Operating Conditions](#) is not implied. Exposure to absolute-maximum-rated conditions for extended periods may affect device reliability.

### Recommended Operating Conditions and DC power Electrical Characteristics

Parameter	Comments	Conditions	Min.	Typ.	Max.	Unit
Supply Voltage	3.3 V/3.3 V_BU/3.3 V_ANA		3.14	3.3	3.47	V
	1.8 V VCC		1.71	1.8	1.89	
Voltage Ripple	3.3 V/3.3 V_BU		-	-	30	mV
	3.3 V_ANA/1.8 V					
Recommend voltage supply current rating	3.3 V_BU				10	mA
	3.3 V_ANA				100	
	3.3 V				1000	
	1.8 V				500	
DC Output Current	Analog IO pin	3.3 V signal level	-	-	8	mA
DC Output Current	Digital IO pin	1.8 V signal level	-	-	2	mA
Voltage Rise Time	At power on	3.3 V / 3.3 VBU / 1.8 V	-	-	5	ms
Operating Current	WLAN	Continuous	-	TBD		mA

Parameter	Comments	Conditions	Min.	Typ.	Max.	Unit
	sub-system	receive				
		IEEE PSM	TBD	-	-	
		Continuous transmit (3.3 V/ 1.8 V)	-	330/ 85	400/100	
	Bluetooth sub-system	Continuous receive	-	TBD		mA
		Continuous transmit				
	CPU sub-system	Varies with system load	-	TBD		mA
Operating Temperature			-20	25	+70	°C

### Power on Sequence



**Notes:** Apply the 3.3 V (backup and system) and 1.8 V (memory & interface I/O) at the same time.

The CPU implements the internal POR (Power-On-Reset) and will guarantee the power sources reach their target values prior to the release of POR.

Tres=30 us, T1=66 us, T2=352 us (minimum)

Establish the VDDIO/CDDIOP (1.8 V for memory & interface I/O) and VCCBU (3.3 V) first, then VDDPLL (1.0 V from LDO), and the VDDCORE (1.0 V from DC-DC regulator) to ensure



reliable device operation. This is implemented on the WB45NBT, user simply apply 3.3 V (backup and system) and 1.8 V (memory & interface I/O) at the same time.

### DC Electrical Characteristics (3.3 V signal level)

<b>I/O</b>	Indicates whether the signal is input or output state.
<b>PU/PD</b>	Indicates whether Pull-Up, Pull-Down, or nothing is enabled.
<b>ST</b>	Indicates if Schmitt Trigger is enabled.
<b>TR</b>	Tri-state

Parameter	Conditions	Min.	Typ.	Max.	Unit
AIO[0-3]					I/O;PU;ST
IRQ					I;PU;ST
SHDN					O;PU
WKUP					I;ST
ETXEN;ETX[0-1];ERXER;ERX[0-1];EMDC;EMDIO;ECRSDV;EREF_CLK					<b>Note:</b> PU;ST
VIL	Input Low-Level Voltage	-0.3	-	0.8	V
VIH	Input High-Level Voltage	2.0		3.6	V
VOL	Output Low-Level Voltage			0.4	V
VOH	Output High-Level Voltage	2.9			V
VT-	Schmitt trigger Negative-going threshold Voltage	0.8	1.1		V
VT+	Schmitt trigger Positive-going threshold Voltage		1.6	2.0	V
VHYS	Schmitt trigger Hysteresis	0.5		0.75	V
RPULLUP	Pull-up/Pull-down Resistance	40	75	190	K $\Omega$
IO	Output Current			8	mA

**DC Electrical Characteristics (1.8 V signal level)**

<b>I/O</b>	Indicates whether the signal is input or output state.
<b>PU/PD</b>	Indicates whether Pull-Up, Pull-Down or nothing is enabled.
<b>ST</b>	Indicates if Schmitt Trigger is enabled.
<b>TR</b>	Tri-state

Parameter	Conditions	Min.	Typ.	Max.	Unit
GPIO[0-3] TWCK1;TWD1 WOW WIFI_GPIO URTS0;UCTS0;URXD0;UTXD0;URTS3;UCTS3;URXD3;UTXD3 DTXD;DRXD PCM_CLK;PCM_SYNC;PCM_OUT;PCM_IN				I/O;PU;ST <b>Note:</b> PU;ST O I/O <b>Notes:</b> PU;ST PU;ST PD;TR	
V <sub>IL</sub>	Input Low-Level Voltage	-0.3	-	0.54	V
V <sub>IH</sub>	Input High-Level Voltage	1.26		2.1	V
V <sub>OL</sub>	Output Low-Level Voltage			0.4	V
V <sub>OH</sub>	Output High-Level Voltage	1.4			V
V <sub>T-</sub>	Schmitt trigger Negative-going threshold Voltage			0.54	V
V <sub>T+</sub>	Schmitt trigger Positive-going threshold Voltage	0.54			V
V <sub>HYS</sub>	Schmitt trigger Hysteresis	0.28		0.6	V
RPULLUP	Pull-up/Pull-down Resistance	240		1000	K $\Omega$
I <sub>O</sub>	Output Current			2	mA

**Note:** We recommend that 1.8 V signal I/O pins should not be used to drive the external circuit directly due to its weak drive capability. A buffer/driver should be used in such applications.

PRELIMINARY

## PIN DEFINITIONS

Table 1: Pin Definitions

#	Pin Name	Section	I/O	Reference	Description	If unused
1	+3.3V_ANA		-	-	+3.3 V for analog I/O interface	3.3 V must be supplied
2	+3.3V_BU		-	-	+3.3 V for system back up	3.3 V must be supplied
3	GND		-	Ground	Ground	Must be connected to GND
4	GND		-	Ground	Ground	Must be connected to GND
5	AIO-1 *VBUS_EN	Analog I/O	I/O *O	+3.3 V_ANA	Analog I/O *USB interface in Host mode; used to control (High enable) the USB bus power (5 V).	
6	WKUP		I	+3.3 V_BU	Wake up the processor from deep sleep mode. Low active to wake up the CPU. Internal 100k pull-up	
7	SHDN		O	+3.3 V_BU	Shut down the external power supply for the module to save power consumption. Low active to shut down the power supply. Internal 100K pull-up	
8	AIO-0 *VBUS_SENS	Analog I/O	I/O *I	+3.3 V_ANA	Analog I/O *When USB interfaces in Device mode; It is used to sense the USB bus power (5 V). <b>Note:</b> A voltage divider is needed to implement. Please reference the BB45NBT design.	
9	AIO-3	Analog I/O	I/O	+3.3 V_ANA	Analog I/O	
10	AIO-2	Analog	I/O	+3.3 V_ANA	Analog I/O	

#	Pin Name	Section	I/O	Reference	Description	If unused
	*OVER_CURRENT	I/O	*I		<i>*When USB interfaces in Host mode; It is used to sense the USB bus power (5V) running over the current limit.</i>  <b>Note:</b> A voltage switch is needed to implement. Please reference the BB45NBT design.	
11	IRQ	Control	I	+3.3 V	External Interrupt Input	
12	GND		-	Ground	Ground	Must be connected to GND
13	GND		-	Ground	Ground	Must be connected to GND
14	EMDC	Ethernet	O	+3.3 V	Ethernet Management Data Clock	
15	ETXEN	Ethernet	O	+3.3 V	Ethernet Transmit Enable	
16	GND		-	Ground	Ground	Must be connected to GND
17	ETX0	Ethernet	O	+3.3 V	Ethernet Transmit Data 0	
18	ETX1	Ethernet	O	+3.3 V	Ethernet Transmit Data 1	
19	ERXER	Ethernet	I	+3.3 V	Ethernet Receive Error	
20	ERX0	Ethernet	I	+3.3 V	Ethernet Receive Data 0	
21	GND		-	Ground	Ground	Must be connected to GND
22	ERX1	Ethernet	I	+3.3 V	Ethernet Receive Data 1	
23	REF_CLK	Ethernet	I	+3.3 V	Ethernet 50MHz Clock	Leave open
24	ECRSDV	Ethernet	I	+3.3 V	Ethernet Receive Data Valid	
25	GND		-	Ground	Ground	Must be connected to GND
26	EMDIO	Ethernet	I/O	+3.3 V	Ethernet Management Data Input/Output	
27	TWD1		I/O	+1.8 V	Twist wire bus Data (I2C Data line)	

#	Pin Name	Section	I/O	Reference	Description	If unused
28	GND		-	Ground	Ground	Must be connected to GND
29	TWCK1		O	+1.8 V	Twist wire bus Clock (I2C Clock line)	
30	+1.8V		-	-	1.8 V for Memory (NAND/LPDDR), bus interface and Wi-Fi/BT bus configuration.	
31	GND		-	Ground	Ground	Must be connected to GND
32	GND		-	Ground	Ground	Must be connected to GND
33	GPIO-0	GPIO	I/O	+1.8 V	General I/O 0	Leave open
34	GPIO-1	GPIO	I/O	+1.8 V	General I/O 1	Leave open
35	GPIO-2	GPIO	I/O	+1.8 V	General I/O 2	Leave open
36	GPIO-3	GPIO	I/O	+1.8 V	General I/O 3	Leave open
37	GND		-	Ground	Ground	Must be connected to GND
38	GND		-	Ground	Ground	Must be connected to GND
39	URXD3	UART3	I	+1.8 V	UART3 Receive Data	Leave open
40	URTS3	UART3	O	+1.8 V	UART3 Ready To Send	Leave open
41	UTXD3	UART3	O	+1.8 V	UART3 Transmit Data	Leave open
42	UCTS3	UART3	I	+1.8 V	UART3 Clear To Send	Leave open
43	GND		-	Ground	Ground	Must be connected to GND
44	GND		-	Ground	Ground	Must be connected to GND
45	URXD0	UART0	I	+1.8 V	UART0 Receive Data	Leave open
46	URTS0	UART0	O	+1.8 V	UART0 Ready To Send	Leave open

#	Pin Name	Section	I/O	Reference	Description	If unused
47	UTXD0	UART0	O	+1.8 V	UART0 Transmit Data	Leave open
48	UCTS0	UART0	I	+1.8 V	UART0 Clear To Send	Leave open
49	GND		-	Ground	Ground	Must be connected to GND
50	GND		-	Ground	Ground	Must be connected to GND
51	SPI0_CSn1	SPI0	O	+1.8 V	SPI0 Chip Select. Active Low *Only for SPI in Master mode.	Leave open
52	SPI0_MISO	SPI0	I/O	+1.8 V	SPI0 Master In Slave Out	Leave open
53	GND		-	Ground	Ground	Must be connected to GND
54	SPI0_MOSI	SPI0	I/O	+1.8 V	SPI0 Master Out Slave In	Leave in
55	SPI0_CLK	SPI0	I/O	+1.8 V	SPI0 Serial Clock (Master:O Slave:I)	Leave open
56	SPI0_CSn0	SPI0	I/O	+1.8 V	SPI0 Chip Select. (Master:O Slave:I)Active Low	Leave open
57	GND		-	Ground	Ground	Must be connected to GND
58	GND		-	Ground	Ground	Must be connected to GND
59	DRXD	DBGU	I	+1.8 V	Debug UART Receive Data CANRX0	47K Pull-Up
60	+3.3V		-	-	3.3V for CPU,Wi-Fi and BT	3.3V must be supplied
61	DTXD	DBGU	O	+1.8V	Debug UART Transmit Data CANTX0	Leave Open
62	+3.3V		-	-	3.3V for CPU,Wi-Fi and BT	3.3V must be supplied
63	GND		-	Ground	Ground	Must be connected to

#	Pin Name	Section	I/O	Reference	Description	If unused
						GND
64	GND		-	Ground	Ground	Must be connected to GND
65	HHSDDPA	USB Device	I/O		USB (Host/Device) D+	
66	NRST	Control	I	+1.8V	CPU Reset; Low active.	Leave open
67	HHSDDMA	USB Device	I/O		USB (Host/Device) D-	
68	WOW		O	+1.8V	Wake On Wireless LAN	
69	GND		-	Ground	Ground	Must be connected to GND
70	Wi-Fi GPIO		I/O	+1.8V	Reserved for Wi-Fi GPIO	Leave open
71	GND		-	Ground	Ground	Must be connected to GND
72	GND		-	Ground	Ground	Must be connected to GND
73	PCM_CLK		I O	+1.8V +1.8V	PCM CLK input when BT acts as Slave PCM CLK output when BT acts as Master	Leave open
74	PCM_IN		I	+1.8V	PCM signal input.	
75	GND		-	Ground	Ground	Must be connected to GND
76	GND		-	Ground	Ground	Must be connected to GND
77	PCM_SYNC		I/O	+1.8V	PCM signal sync	
78	PCM_OUT		O	+1.8V	PCM signal output	
79	GND		-	Ground	Ground	Must be connected to GND
80	GND		-	Ground	Ground	Must be

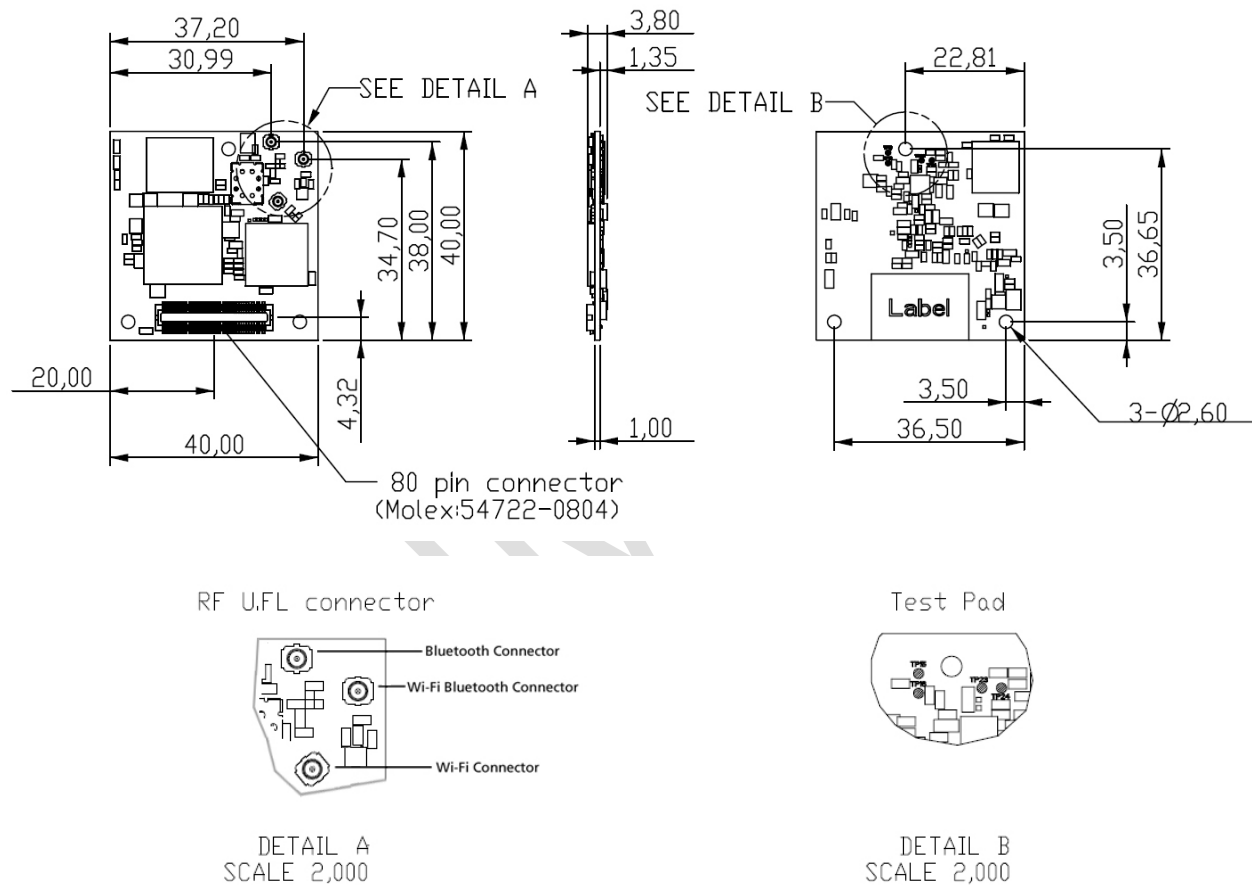


## Laird WB45NBT

### Hardware Integration Guide

#	Pin Name	Section	I/O	Reference	Description	If unused
						connected to GND

## MECHANICAL SPECIFICATION



## Mounting

TBD

## REGULATORY

### Certified Antennas

The WB45NBT will be tested to the regulatory standards defined in the “Certifications” section of the Specifications table above. Summit plans to conduct these tests with the following antennas:

Model	Type	Connector	Maximum Gain
<a href="#">MAG.LAYERS EDA-1513-25GR2-B2-CY</a>	Dipole	SMA Jack Reverse	2 dBi
<a href="#">MAG.LAYERS PCA-4606-2G4C1-A13-CY</a>	PCB Dipole	TNOV	2.2 dBi
<a href="#">Laird NanoBlade-IP04</a>	PCB Dipole	IPEX MHF	<b>2.4-2.5 GHz:</b> 2 dBi <b>5.15-5.35 GHz:</b> 3.9 dBi <b>5.6 GHz:</b> 4 dBi
<a href="#">Laird MAF95310 Mini NanoBlade Flex</a>	PCB Dipole	IPEX MHF	<b>2.4 GHz:</b> 2.79 dBi <b>5 GHz:</b> 3.38 dBi
<a href="#">Laird NanoBlue-IP04</a>	PCB Dipole	IPEX MHF	<b>2.5 GHz only:</b> 2 dBi
<a href="#">Ethertronics WLAN_1000146</a>	Magnetic Dipole	IPEX MHF	<b>2.4-2.5 GHz:</b> 2 dBi <b>4.9-5.1 GHz:</b> 3.5 dBi <b>5.15-5.35 GHz:</b> 3.5 dBi <b>5.7-5.9 GHz:</b> 3.5 dBi
<a href="#">Amphenol MG7018-41-000-R</a>	Dipole	IPEX MHF	<b>2.4-2.5 GHz:</b> 1.87 dBi <b>5.15-5.25 GHz:</b> 0.85 dBi <b>5.25-5.35 GHz:</b> 0.6 dBi <b>5.47-5.85 GHz:</b> 0.92 dBi
<a href="#">Amphenol MG7324-41-000-R</a>	Dipole	IPEX MHF	<b>2.4-2.5 GHz:</b> 1.32 dBi <b>5.15-5.25 GHz:</b> 1.04 dBi <b>5.25-5.35 GHz:</b> 1.6 dBi <b>5.47-5.725 GHz:</b> 2.75 dBi <b>5.725-5.85 GHz:</b> 2.24 dBi

### Documentation Requirements

In order to ensure regulatory compliance, when integrating the WB45NBT into a host device, it is necessary to meet the documentation requirements set forth by the applicable regulatory agencies. The following sections (FCC, Industry Canada, and European Union) outline the information that may be

included in the user's guide and external labels for the host devices into which the WB45NBT is integrated.

### Federal Communication Commission Interference Statement

This equipment has been tested and found to comply with the limits for a Class B digital device, pursuant to Part 15 of the FCC Rules. These limits are designed to provide reasonable protection against harmful interference in a residential installation. This equipment generates, uses, and can radiate radio frequency energy and, if not installed and used in accordance with the instructions, may cause harmful interference to radio communications. However, there is no guarantee that interference will not occur in a particular installation. If this equipment does cause harmful interference to radio or television reception, which can be determined by turning the equipment off and on, the user is encouraged to try to correct the interference by one of the following measures:

1. Reorient or relocate the receiving antenna.
2. Increase the separation between the equipment and receiver.
3. Connect the equipment into an outlet on a circuit different from that to which the receiver is connected.
4. Consult the dealer or an experienced radio/TV technician for help.

---

**FCC Caution:** Any changes or modifications not expressly approved by the party responsible for compliance could void the user's authority to operate this equipment.

---

This device complies with Part 15 of the FCC Rules. Operation is subject to the following two conditions: (1) This device may not cause harmful interference, and (2) this device must accept any interference received, including interference that may cause undesired operation.

This device is restricted to *indoor* use when operated in the 5.15 to 5.25 GHz frequency range.

FCC requires this product to be used indoors for the frequency range 5.15 to 5.25 GHz to reduce the potential for harmful interference to co-channel Mobile Satellite systems.

This device does not permit operations on channels 116-128 (5580 – 5640 MHz) for 11na and 120-128 (5600-5640 MHz) for 11a which overlap the 5600 -5650 MHz band.

---

### IMPORTANT NOTE: FCC Radiation Exposure Statement:

This equipment complies with FCC radiation exposure limits set forth for an uncontrolled environment. This equipment should be installed and operated with minimum distance 20cm between the radiator & your body.

---

### This device is intended only for OEM integrators under the following conditions:

- The antenna must be installed such that 20 cm is maintained between the antenna and users, and

- The transmitter module may not be co-located with any other transmitter or antenna,
- For all products marketed in the United States, the OEM must limit the operation channels from CH1 to CH11 for 2.4 GHz band by the supplied firmware programming tool. The OEM shall not supply any tool or information to the end-user regarding Regulatory Domain change.

As long as the three conditions above are met, further transmitter testing is not required. However, the OEM integrator is still responsible for testing their end-product for any additional compliance requirements required with this module installed.

PRELIMINARY

---

**IMPORTANT NOTE:** In the event that these conditions cannot be met (for example, certain laptop configurations or co-location with another transmitter), then the FCC authorization is no longer considered valid and the FCC ID cannot be used on the final product. In these circumstances, the OEM integrator is responsible for re-evaluating the end product (including the transmitter) and obtaining a separate FCC authorization.

---

***End Product Labeling***

This transmitter module is authorized only for use in device where the antenna is installed such that 20 cm is maintained between the antenna and users. The final end product must be labeled in a visible area with the following: "Contains FCC ID: SQG-WB45NBT".

***Manual Information to the End User***

The OEM integrator **may NOT** provide information to the end user regarding how to install or remove this RF module in the user's manual of the end product which integrates this module.

The end user manual shall include all required regulatory information/warnings as show in this Hardware Integration Guide.

***User's Guide Requirements (for Model # WB45NBT)***

***RF Radiation Hazard Warning***

To ensure compliance with FCC and Industry Canada RF exposure requirements, this device must be installed in a location where the antennas of the device will have a minimum distance of at least 20 cm from all persons. Using higher gain antennas and types of antennas not certified for use with this product is not allowed. The device shall not be co-located with another transmitter.

Installez l'appareil en veillant à conserver une distance d'au moins 20 cm entre les éléments rayonnants et les personnes. Cet avertissement de sécurité est conforme aux limites d'exposition définies par la norme CNR-102 at relative aux fréquences radio.

***Maximum Antenna Gain – If the integrator configures the device such that the antenna is detectable from the host product.***

"This device complies with Industry Canada licence-exempt RSS standard(s). Operation is subject to the following two conditions: (1) this device may not cause interference, and (2) this device must accept any interference, including interference that may cause undesired operation of the device.

Le présent appareil est conforme aux CNR d'Industrie Canada applicables aux appareils radio exempts de licence. L'exploitation est autorisée aux deux conditions suivantes : (1) l'appareil ne doit pas produire de brouillage, et (2) l'utilisateur de l'appareil doit accepter tout brouillage radioélectrique subi, même si le brouillage est susceptible d'en compromettre le fonctionnement.

This radio transmitter (identify the device by certification number, or model number if Category II) has been approved by Industry Canada to operate with the antenna types listed below with the maximum permissible gain and required antenna impedance for each antenna type indicated. Antenna types not included in this list, having a gain greater than the maximum gain indicated for that type, are strictly prohibited for use with this device.

Le présent émetteur radio (IC: 3147A-WB45NBT) a été approuvé par Industrie Canada pour fonctionner avec les types d'antenne énumérés ci-dessous et ayant un gain admissible maximal et l'impédance requise pour chaque type d'antenne. Les types d'antenne non inclus dans cette liste, ou dont le gain est supérieur au gain maximal indiqué, sont strictement interdits pour l'exploitation de l'émetteur.

please refer to page 22 for antenna list

This device is intended only for OEM integrators under the following conditions:

- 1) The antenna must be installed such that 20 cm is maintained between the antenna and users, and
- 2) The transmitter module may not be co-located with any other transmitter or antenna.

As long as 2 conditions above are met, further transmitter test will not be required. However, the OEM integrator is still responsible for testing their end-product for any additional compliance requirements required with this module installed.

Cet appareil est conçu uniquement pour les intégrateurs OEM dans les conditions suivantes:

- 1) L'antenne doit être installée de telle sorte qu'une distance de 20 cm est respectée entre l'antenne et les utilisateurs, et
- 2) Le module émetteur peut ne pas être coïmplanté avec un autre émetteur ou antenne.

Tant que les 2 conditions ci-dessus sont remplies, des essais supplémentaires sur l'émetteur ne seront pas nécessaires. Toutefois, l'intégrateur OEM est toujours responsable des essais sur son produit final pour toutes exigences de conformité supplémentaires requis pour ce module installé.

#### IMPORTANT NOTE:

In the event that these conditions can not be met (for example certain laptop configurations or co-location with another transmitter), then the Canada authorization is no longer considered valid and the IC ID can not be used on the final product. In these circumstances, the OEM integrator will be responsible for re-evaluating the end product (including the transmitter) and obtaining a separate Canada authorization.

#### NOTE IMPORTANTE:

Dans le cas où ces conditions ne peuvent être satisfaites (par exemple pour certaines configurations d'ordinateur portable ou de certaines co-localisation avec un autre émetteur), l'autorisation du Canada n'est plus considéré comme valide et l'ID IC ne peut pas être utilisé sur le produit final. Dans ces

circonstances, l'intégrateur OEM sera chargé de réévaluer le produit final (y compris l'émetteur) et l'obtention d'une autorisation distincte au Canada.

#### End Product Labeling

This transmitter module is authorized only for use in device where the antenna may be installed such that 20 cm may be maintained between the antenna and users. The final end product must be labeled in a visible area with the following: "Contains IC:3147A-WB45NBT".

#### Plaque signalétique du produit final

Ce module émetteur est autorisé uniquement pour une utilisation dans un dispositif où l'antenne peut être installée de telle sorte qu'une distance de 20cm peut être maintenue entre l'antenne et les utilisateurs. Le produit final doit être étiqueté dans un endroit visible avec l'inscription suivante: "Contient des IC: 3147A-WB45NBT".

#### Manual Information To the End User

The OEM integrator has to be aware not to provide information to the end user regarding how to install or remove this RF module in the user's manual of the end product which integrates this module.

The end user manual shall include all required regulatory information/warning as show in this manual.

#### Manuel d'information à l'utilisateur final

L'intégrateur OEM doit être conscient de ne pas fournir des informations à l'utilisateur final quant à la façon d'installer ou de supprimer ce module RF dans le manuel de l'utilisateur du produit final qui intègre ce module.

Le manuel de l'utilisateur final doit inclure toutes les informations réglementaires requises et avertissements comme indiqué dans ce manuel.

## European Union

### *User's Guide Requirements*

The integrator must include specific information in the user's guide for the device into which the WB45NBT is integrated. In addition to the required FCC and IC statements outlined above, the following R&TTE statements must be added in their entirety and without modification into a prominent place in the user's guide for the device into which the WB45NBT is integrated:

This device complies with the essential requirements of the R&TTE Directive 1999/5/EC. The following test methods have been applied in order to prove presumption of conformity with the essential requirements of the R&TTE Directive 1999/5/EC:

- **EN60950-1:2001 A11:2004**

Safety of Information Technology Equipment

- **EN 300 328 V1.7.1: (2006-10)**

Electromagnetic compatibility and Radio spectrum Matters (ERM); Wideband Transmission systems; Data transmission equipment operating in the 2,4 GHz ISM band and using spread spectrum modulation techniques; Harmonized EN covering essential requirements under article 3.2 of the R&TTE Directive

- **EN 301 489-1 V1.6.1: (2005-09)**

Electromagnetic compatibility and Radio Spectrum Matters (ERM); ElectroMagnetic Compatibility (EMC) standard for radio equipment and services; Part 1: Common technical requirements

- **EN 301 489-17 V1.2.1 (2002-08)**

Electromagnetic compatibility and Radio spectrum Matters (ERM); ElectroMagnetic Compatibility (EMC) standard for radio equipment and services; Part 17: Specific conditions for 2,4 GHz wideband transmission systems and 5 GHz high performance RLAN equipment

- **EN 301 893 V1.5.1 (2008-12)**

Electromagnetic compatibility and Radio spectrum Matters (ERM); Broadband Radio Access Networks (BRAN); Specific conditions for 5 GHz high performance RLAN equipment

- **EU 2002/95/EC (RoHS)**


Declaration of Compliance – EU Directive 2003/95/EC; Reduction of Hazardous Substances (RoHS)

This device is a 2.4 GHz wideband transmission system (transceiver), intended for use in all EU member states and EFTA countries, except in France and Italy where restrictive use applies.


In Italy the end-user should apply for a license at the national spectrum authorities in order to obtain authorization to use the device for setting up outdoor radio links and/or for supplying public access to telecommunications and/or network services.

This device may not be used for setting up outdoor radio links in France and in some areas the RF output power may be limited to 10 mW EIRP in the frequency range of 2454 – 2483.5 MHz. For detailed information the end-user should contact the national spectrum authority in France.


---

 <b>Česky [Czech]</b>	<i>[Jméno výrobce]</i> tímto prohlašuje, že tento <i>[typ zařízení]</i> je ve shodě se základními požadavky a dalšími příslušnými ustanoveními směrnice 1999/5/ES.
--	--

---

 <b>Dansk [Danish]</b>	Undertegnede <i>[fabrikantens navn]</i> erklærer herved, at følgende udstyr <i>[udstyrets typebetegnelse]</i> overholder de væsentlige krav og øvrige relevante krav i direktiv 1999/5/EF.
---	--

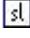

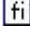
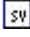
---

 <b>Deutsch [German]</b>	Hiermit erkläre <i>[Name des Herstellers]</i> , dass sich das Gerät <i>[Gerätetyp]</i> in Übereinstimmung mit den grundlegenden Anforderungen und den übrigen
---	---

---



	einschlägigen Bestimmungen der Richtlinie 1999/5/EG befindet.
<b>et</b> Eesti [Estonian]	Käesolevaga kinnitab [ <i>tootja nimi = name of manufacturer</i> ] seadme [ <i>seadme tüüp = type of equipment</i> ] vastavust direktiivi 1999/5/EÜ põhinõuetele ja nimetatud direktiivist tulenevatele teistele asjakohastele sätetele.
<b>en</b> English	Hereby, [ <i>name of manufacturer</i> ], declares that this [ <i>type of equipment</i> ] is in compliance with the essential requirements and other relevant provisions of Directive 1999/5/EC.
<b>es</b> Español [Spanish]	Por medio de la presente [ <i>nombre del fabricante</i> ] declara que el [ <i>clase de equipo</i> ] cumple con los requisitos esenciales y cualesquiera otras disposiciones aplicables o exigibles de la Directiva 1999/5/CE.
<b>el</b> Ελληνική [Greek]	ΜΕ ΤΗΝ ΠΑΡΟΥΣΑ [ <i>name of manufacturer</i> ] ΔΗΛΩΝΕΙ ΟΤΙ [ <i>type of equipment</i> ] ΣΥΜΜΟΡΦΩΝΕΤΑΙ ΠΡΟΣ ΤΙΣ ΟΥΣΙΩΔΕΙΣ ΑΠΑΙΤΗΣΕΙΣ ΚΑΙ ΤΙΣ ΛΟΙΠΕΣ ΣΧΕΤΙΚΕΣ ΔΙΑΤΑΞΕΙΣ ΤΗΣ ΟΔΗΓΙΑΣ 1999/5/EK.
<b>fr</b> Français [French]	Par la présente [ <i>nom du fabricant</i> ] déclare que l'appareil [ <i>type d'appareil</i> ] est conforme aux exigences essentielles et aux autres dispositions pertinentes de la directive 1999/5/CE.
<b>it</b> Italiano [Italian]	Con la presente [ <i>nome del costruttore</i> ] dichiara che questo [ <i>tipo di apparecchio</i> ] è conforme ai requisiti essenziali ed alle altre disposizioni pertinenti stabilite dalla direttiva 1999/5/CE.
<b>lv</b> Latviski [Latvian]	Aršo [ <i>name of manufacturer / izgatavotājanosaukums</i> ] deklarē, ka [ <i>type of equipment / iekārtas tips</i> ] atbilst Direktīvas 1999/5/EK būtiskajām prasībām un citiemar to saistītajiem noteikumiem.
<b>lt</b> Lietuvių [Lithuanian]	Šiuo [ <i>manufacturer name</i> ] deklaruoją, kad šis [ <i>equipment type</i> ] atitinka esminius reikalavimus ir kitas 1999/5/EB Direktyvos nuostatas.
<b>nl</b> Nederlands [Dutch]	Hierbij verklaart [ <i>naam van de fabrikant</i> ] dat het toestel [ <i>type van toestel</i> ] in overeenstemming is met de essentiële eisen en de andere relevante bepalingen van richtlijn 1999/5/EG.
<b>mt</b> Malti [Maltese]	Hawnhekk, [ <i>isem tal-manifattur</i> ], jiddikjara li dan [ <i>il-mudel tal-prodott</i> ] jikkonforma mal-ħtiġijiet essenzjali u ma provvedimenti oħrajn rilevanti li hemm fid-Dirrettiva 1999/5/EC.
<b>hu</b> Magyar [Hungarian]	Alulírott, [ <i>gyártó neve</i> ] nyilatkozom, hogy a [ <i>... típus</i> ] megfelel a vonatkozó alapvető követelményeknek és az 1999/5/EC irányelv egyéb előírásainak.
<b>pl</b> Polski [Polish]	Niniejszym [ <i>nazwa producenta</i> ] oświadczam, że [ <i>nazwa wyrobu</i> ] jest zgodny z zasadniczymi wymogami oraz pozostałymi stosownymi postanowieniami Dyrektywy 1999/5/EC.
<b>pt</b> Português	[ <i>Nome do fabricante</i> ] declara que este [ <i>tipo de equipamento</i> ] está conforme com os

[Portuguese]	requisitos essenciais e outras disposições da Directiva 1999/5/CE.
 Slovensko [Slovenian]	<i>[Ime proizvajalca]</i> izjavlja, da je ta <i>[tip opreme]</i> v skladu z bistvenimi zahtevami in ostalimi relevantnimi določili direktive 1999/5/ES.
 Slovensky [Slovak]	<i>[Menovýrobcu]</i> týmto vyhlasuje, že <i>[typzariadenia]</i> spĺňa základné požiadavky a všetky príslušné ustanovenia Smernice 1999/5/ES.
 Suomi [Finnish]	<i>[Valmistaja = manufacturer]</i> vakuuttaa täten että <i>[type of equipment = laitteen tyyppimerkintä]</i> tyypinen laite on direktiivin 1999/5/EY oleellisten vaatimusten ja sitä koskevien direktiivin muiden ehtojen mukainen.
 Svenska [Swedish]	Härmed intygar <i>[företag]</i> att denna <i>[utrustningstyp]</i> står i överensstämmelse med de väsentliga egenskapskrav och övriga relevanta bestämmelser som framgår av direktiv 1999/5/EG.