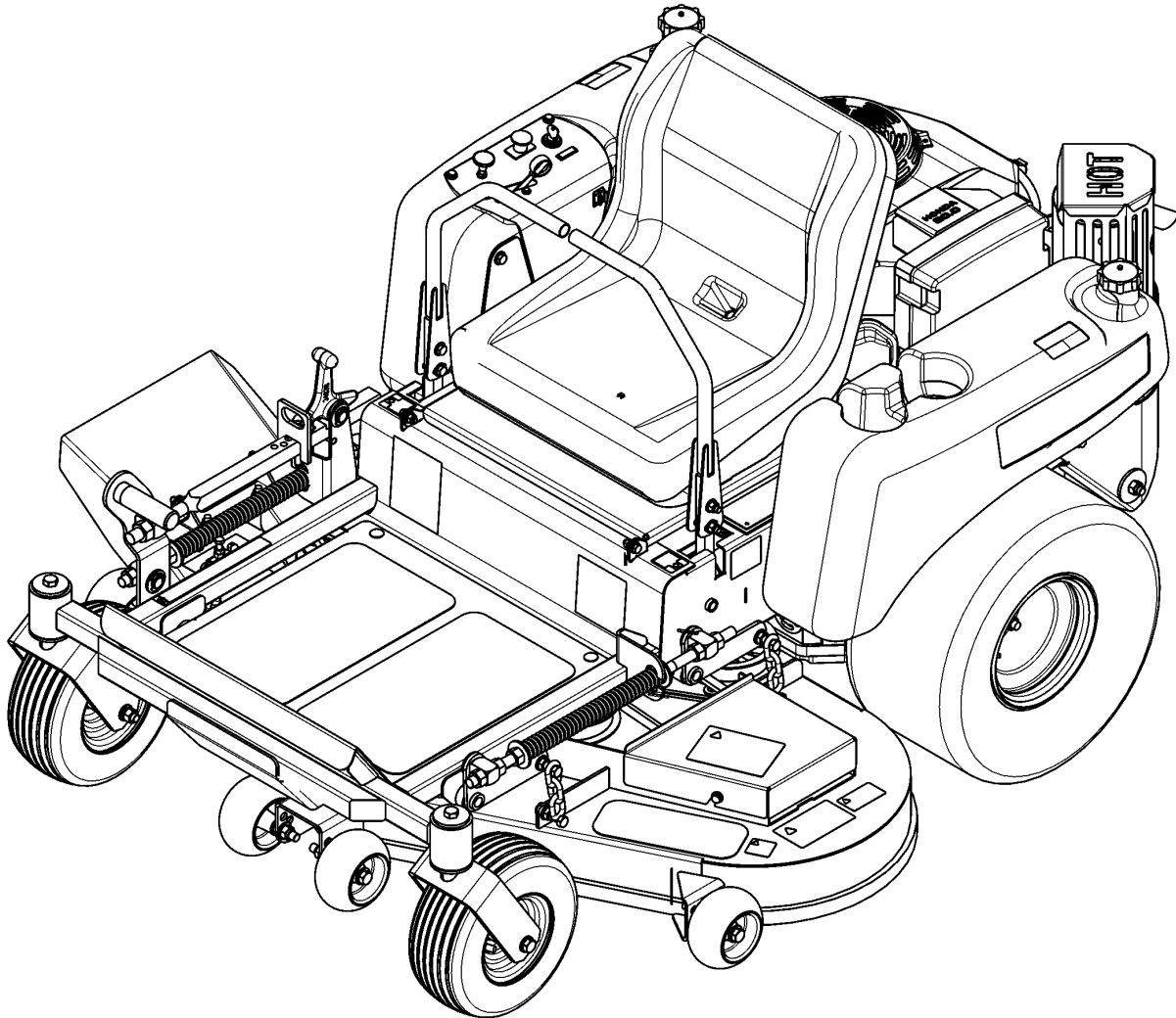


Zero Turn Mowers

ZR44 & ZR52 Accu-Z Razor (S/N 472619 and below)



20667

356-059P **Parts Manual**



Read the Operator's manual entirely. When you see this symbol, the subsequent instructions and warnings are serious - follow without exception. Your life and the lives of others depend on it!

© Copyright 2008 Printed 04/15/08

Cover photo may show optional equipment not supplied with standard unit.





Table of Contents

Section 1: Introduction.....	4
Using This Manual.....	4
Manual Replacement Information.....	4
Manual Revisions.....	4
Touch-up Paint.....	4
Hardware Legend.....	5
Replacement Hardware.....	5
Serial Numbers.....	5
Part Number Service Coding.....	5

RAZOR ZR SERIES

Section 2: Main Frame, Seat and Bumper.....	6
Bumper Assembly.....	6
Seat and Footrest.....	8
Section 3: Battery, Levers, and Transmission.....	10
Battery Assembly.....	10
Deck Lift.....	12
Left Hand Control Lever and Park Brake.....	14
Right Hand Control Lever and Park Brake.....	16
Transmission Assembly.....	18
Transmission Components 356-548S and 356-549S.....	20
Section 4: Engine, Fuel and Controls.....	22
Control Panel.....	22
Engine Assembly.....	24
Fuel System.....	28
Section 5: Wheels.....	30
Drive Wheels.....	30
Front Wheels.....	32
Section 6: Deck.....	34
Deck Assembly.....	34
Deck Pulleys and Belt Assembly.....	36
Deck to Tractor Assembly.....	38
Mulch Kits.....	40
Section 7: Decals.....	42
Label Placement.....	42
Part Number Index.....	44

© Copyright 2008. All rights reserved.

Land Pride provides this publication "as is" without warranty of any kind, either expressed or implied. While every precaution has been taken in the preparation of this manual, Land Pride assumes no responsibility for errors or omissions. Neither is any liability assumed for damages resulting from the use of the information contained herein. Land Pride reserves the right to revise and improve its products as it sees fit. This publication describes the state of this product at the time of its publication, and may not reflect the product in the future. The illustrations in this manual are not intended for safe and proper assembly or disassembly of equipment. The illustrations are intended for ordering parts only.

Land Pride is registered trademark.

All other brands and product names are trademarks or registered trademarks of their respective holders.

Printed in the United States of America.



Alphabetized Table of Contents

RAZOR ZR SERIES

B

Battery Assembly.....	10
Bumper Assembly.....	6

C

Control Panel.....	22
--------------------	----

D

Deck Assembly.....	34
Deck Lift.....	12
Deck Pulleys and Belt Assembly.....	36
Deck to Tractor Assembly.....	38
Drive Wheels.....	30

E

Engine Assembly.....	24
----------------------	----

F

Front Wheels.....	32
Fuel System.....	28

L

Label Placement.....	42
Left Hand Control Lever and Park Brake.....	14

M

Mulch Kits.....	40
-----------------	----

R

Right Hand Control Lever and Park Brake.....	16
--	----

S

Seat and Footrest.....	8
------------------------	---

T

Transmission Assembly.....	18
Transmission Components 356-548S and 356-549S.....	20

General Information

Using This Manual

This manual is divided into sections. The first section contains General Information. The remaining sections divide the machine into segments (i.e. Frames, Drives, Hydraulics, etc.) which illustrate and list all parts. A Parts Number Index is located at the back of the book.

The Land Pride parts in this manual are specially designed for this machine and should be replaced with Land Pride parts only.

The information in this manual is current at time of printing. Some parts may change to assure top performance.

Right-hand and left-hand as used in this manual are determined by facing the direction the machine will travel while in use.

Below is an example of two facing pages from a parts manual. Familiarize yourself with the type of information contained on these pages.

Manual Replacement Information

Replacement manuals are available. Refer to our website at www.landpride.com, the Land Pride Support Center CD or e-mail us at lit@landpride.com for additional information. Our website continues to provide the most up-to-date manuals available.

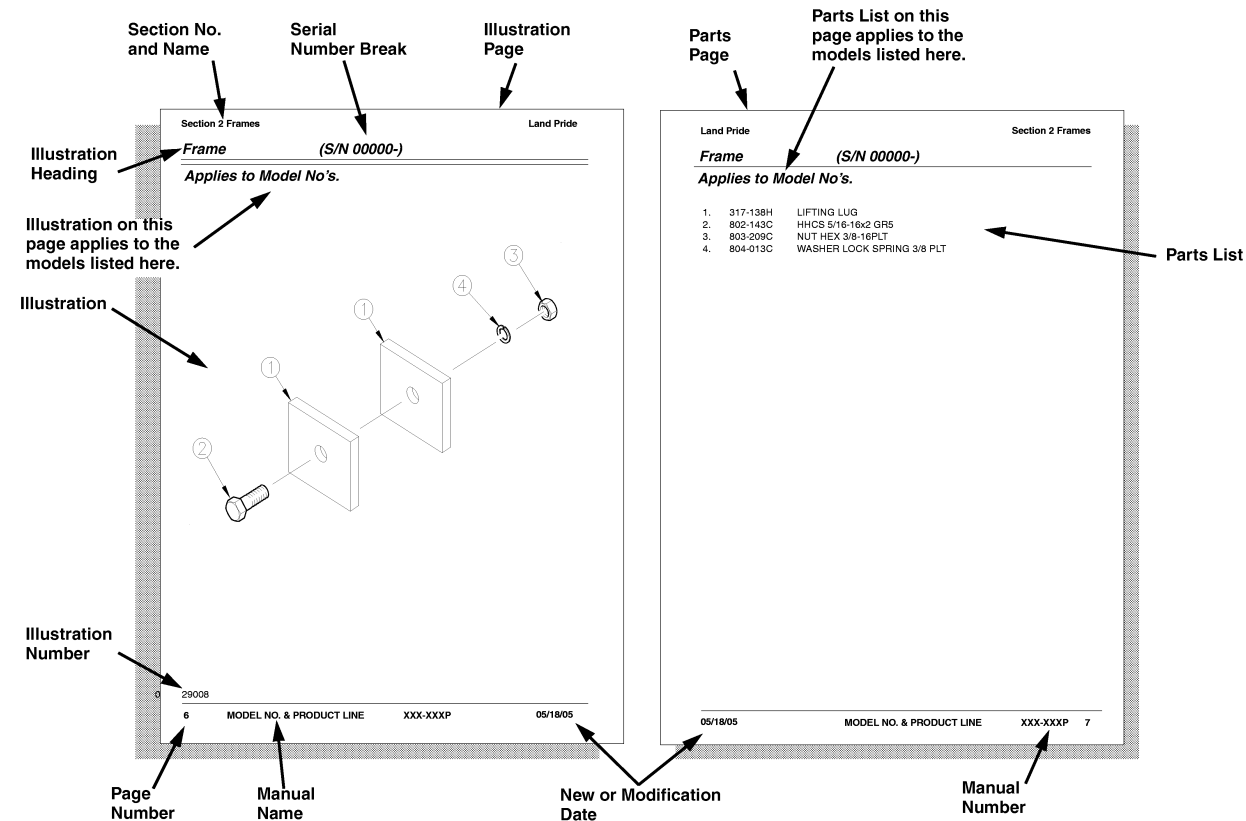
Touch-up Paint

Repaint parts where paint is worn or scratched to prevent rust. Aerosol cans and touch-up bottles with brush applicator are available through your local dealer. Land Pride color descriptions and part numbers are listed below. Also available are quart and gallon size paints. Add QT or GL to end of the Aerosol P/N.

Color	Product ¹	Aerosol	Touch-Up
Gloss Black	LP	821-032C	821-032CTU
Medium Gloss Black	UV	821-053C	821-053CTU
Beige	LP	821-011C	821-011CTU
Green	SLP	821-058C	821-058CTU
Orange	SLP	821-066C	821-066CTU
Red	SLP/UV	821-054C	821-054CTU
Blue	SLP/UV	821-067C	821-067CTU
Dark Green Sparkle	UV	821-055C	821-055CTU
Gondo Forest Green	UV	821-057C	821-057CTU
Brite Yellow ²	UV	821-056C	821-056CTU
Gondo Yellow ³	UV	821-059C	821-059CTU

Notes:

- 1 LP = All Land Pride Products except Utility Vehicles
SLP = Select Land Pride Products that are available in optional Green, Orange, Red, & Blue colors.
UV = Utility Vehicles
- 2 Used on Trekers and (Runabouts with S/N 407628-)
- 3 Used on Gondos and (Runabouts with S/N 407629+)



General Information

Hardware Legend

AR	As Required
BLADE	Blade Bolt
C	Cap Screw
CP	Cotter Pin
CPHSSS	Cup Point Hex Socket Set Screw
CPSHSS	Cup Point Square Head Set Screw
CPSQHSS	Cup Point Square Head Set Screw
CRFCHMS3	Cross Recess Flat Countersunk Head Machine Screw
CRPHMS	Cross Recess Pan Head Machine Screw
CRPHTF	Cross Recess Pan Head Thread Forming
CRRHMS	Cross Recess Round Head Machine Screw
CRTHMS	Cross Recess Truss Head Machine Screw
CSNB	Countersunk Square Neck Bolt
FHMS	Flat Head Machine Screw
FTC	Full Thread Cap Screw
H	Hex Nut
HCLN	Hex Center Lock Nut
HFLCS	Hex Flange Lock Cap Screw
HFS	Hex Flange Screw
HFSLN	Hex Flange Serrated Lock Nut
HFSS	Hex Flange Serrated Screw
HHCS	Hex Head Cap Screw or Metric Bolt
HSBHCS	Hex Socket Button Head Cap Screw
HSFCHCS	Hex Socket Flat Countersunk Head Cap Screw
HSHCS	Hex Socket Head Cap Screw
HSSS	Hex Socket Head Screw
HTLN	Hex Top Lock Nut
HWHCS	Hex Washer Head Cap Screw

HWHMS	Hex Washer Head Machine Screw
HXBHCS	Hex Socket Button Head Cap Screw
J	Hex Jam Nut
JIC	37 Degree Tapered Thread
L	Helical Spring Lock Washer
LUG	Lug Bolt
NFC	National Fine Cap Screw
NPSM	National Pipe Straight Mechanical
NPTF	National Pipe Taper Fuel
P	Wide Plain Washer
PHMS	Pan Head Machine Screw
PLOW	Plow Bolt
RHMS	Round Head Machine Screw
RHSNB	Round Head Square Neck Bolt
SCREW LEVELING	Leveling Screw
SCREW THUMB	Thumb Screw
SCREW WELD	Weld Screw
SFCHMS	Slotted Flat Countersunk Head Machine Screw
SFHMS	Slotted Fillister Head Machine Screw
SP	Special
SP SCREW	Special Screw
SQHSS	Square Head Set Screw
SRHMS	Slotted Round Head Machine Screw
SSS	Socket Set Screw
STCS	Self Tapping Cap Screw
STHMS	Slotted Truss Head Machine Screw
WHEEL	Wheel Studs and Hub Long Bolts
WING	Wing Bolt

Replacement Hardware

The **Hardware Legend** above lists hardware abbreviations used in the parts list. All bolts and nuts are Grade 5 unless otherwise noted. The use of improper grades of hardware can result in personal injury, damage to equipment, or loss of property.

Colored Replacement Parts

Land Pride offers replacement parts in factory standard colors and also on select models in Green, Orange, Red and Blue. Because of the variety of colors available, special attention must be given to the part number to prevent ordering the wrong replacement part.

A suffix number corresponding to one of the colors below must be added at the end of Land Pride's part number when ordering a replacement part with that color.

81 Green 83 Red
82 Orange 84 Blue

For example, if you are ordering a replacement part with part number 555-555C and the part you need is red, then add the suffix 83 to the end of the number to make the part number read 555-555C83. Parts ordered without a suffix number will be supplied in factory standard colors.

Black Replacement Parts

Some parts are factory standard black and some must be special ordered black. If your part is special ordered black, a second part number with the additional suffix number 85 on the end will be available. In this situation you must order that part with the suffix number for it to be black. Parts that are factory standard black will not have the suffix number.

Part Number Service Coding

Within the parts list some part numbers are coded for revisions and interchangeability. See notations in revision column.

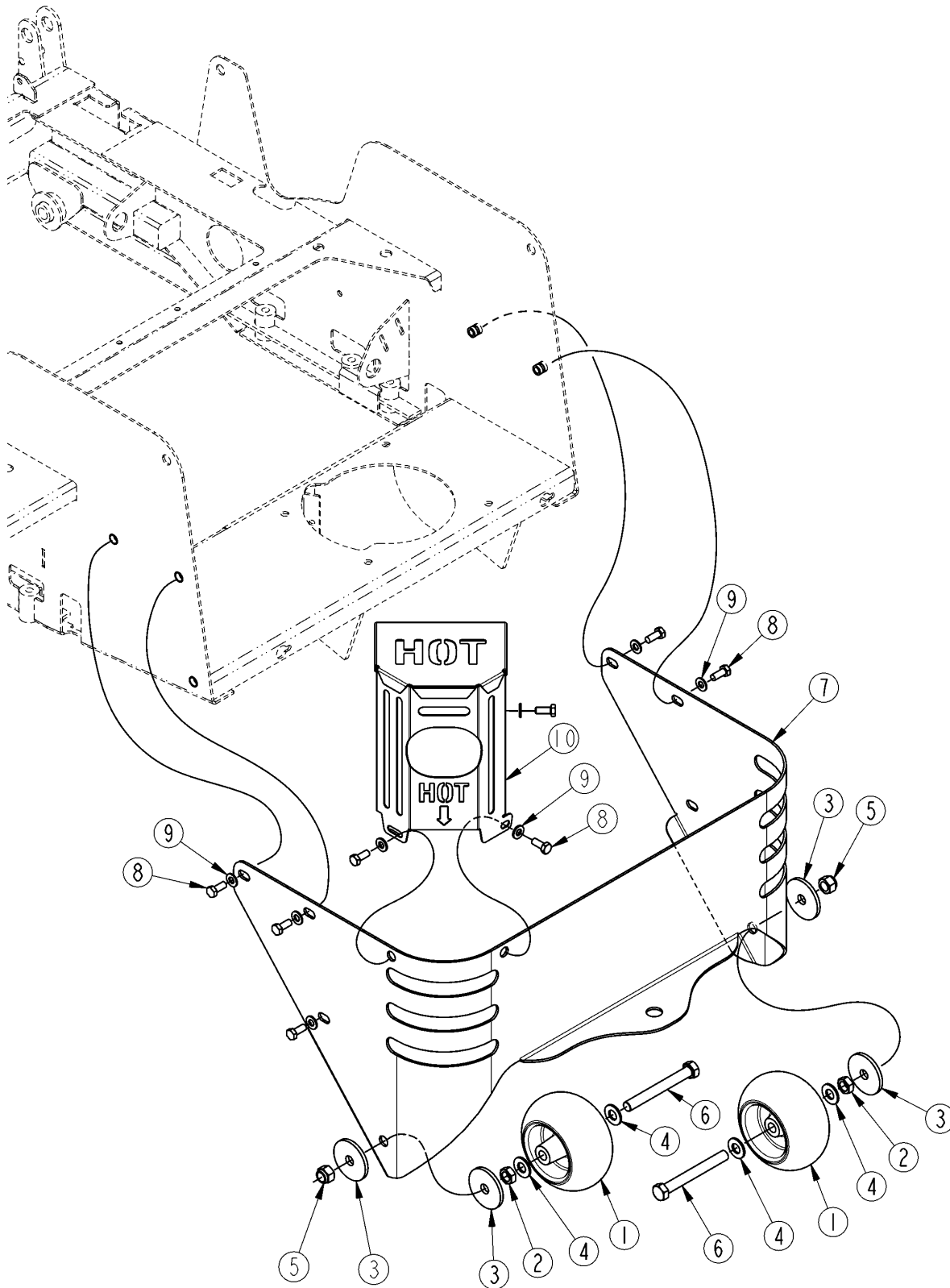
Serial Numbers

Always use the serial and model number when ordering parts. Refer to the Operator's Manual for serial number plate location.

- (S/N 20001+) Includes serial numbers 20001 and above (to the latest number)
- (S/N 10001 to 20000) Includes serial numbers between and including 10001 and 20000
- (S/N 10000-) Includes serial numbers 10000 and below (to the earliest number)

Bumper Assembly

Applies to RAZOR ZR44 (S/N 472619-), RAZOR ZR52 (S/N 472619-)



20720

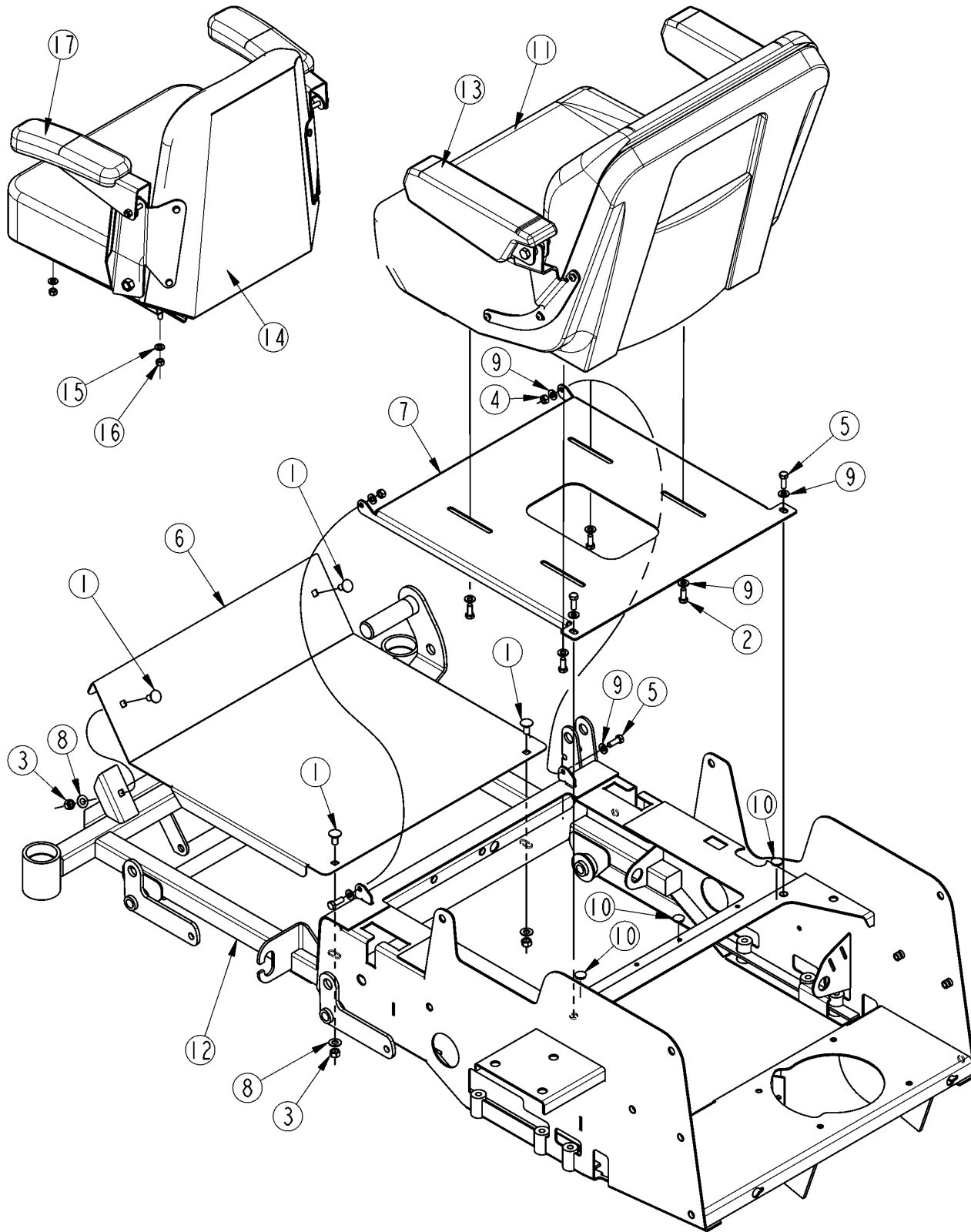
Bumper Assembly

Applies to RAZOR ZR44 (S/N 472619-), RAZOR ZR52 (S/N 472619-)

Ref	Part No.	Part Description	Comments	Revision
	dwg20720	Drawing Image Number		
1.	839-008C	ANTI-SCALP WHEEL		
2.	803-036C	NUT HEX JAM 1/2-13 PLT		
3.	839-131C	WASHER FLAT.510X2.15X.187SPLZN		
4.	804-016C	WASHER FLAT 1/2 SAE PLT		
5.	803-147C	NUT HEX NYLOCK 1/2-13		
6.	802-311C	HHCS 1/2-13X4 1/4 GR5		
7.	356-048D	REAR BUMPER Z RESIDENTIAL		
8.	802-007C	HHCS 5/16-18X3/4 GR5		
9.	804-036C	WASHER FLAT 5/16 SAE PLT		
10.	356-116H	MUFFLER GUARD WLDMT RAZOR	(S/N 356555+)	

Seat and Footrest

Applies to RAZOR ZR44 (S/N 472619-), RAZOR ZR52 (S/N 472619-)



20714

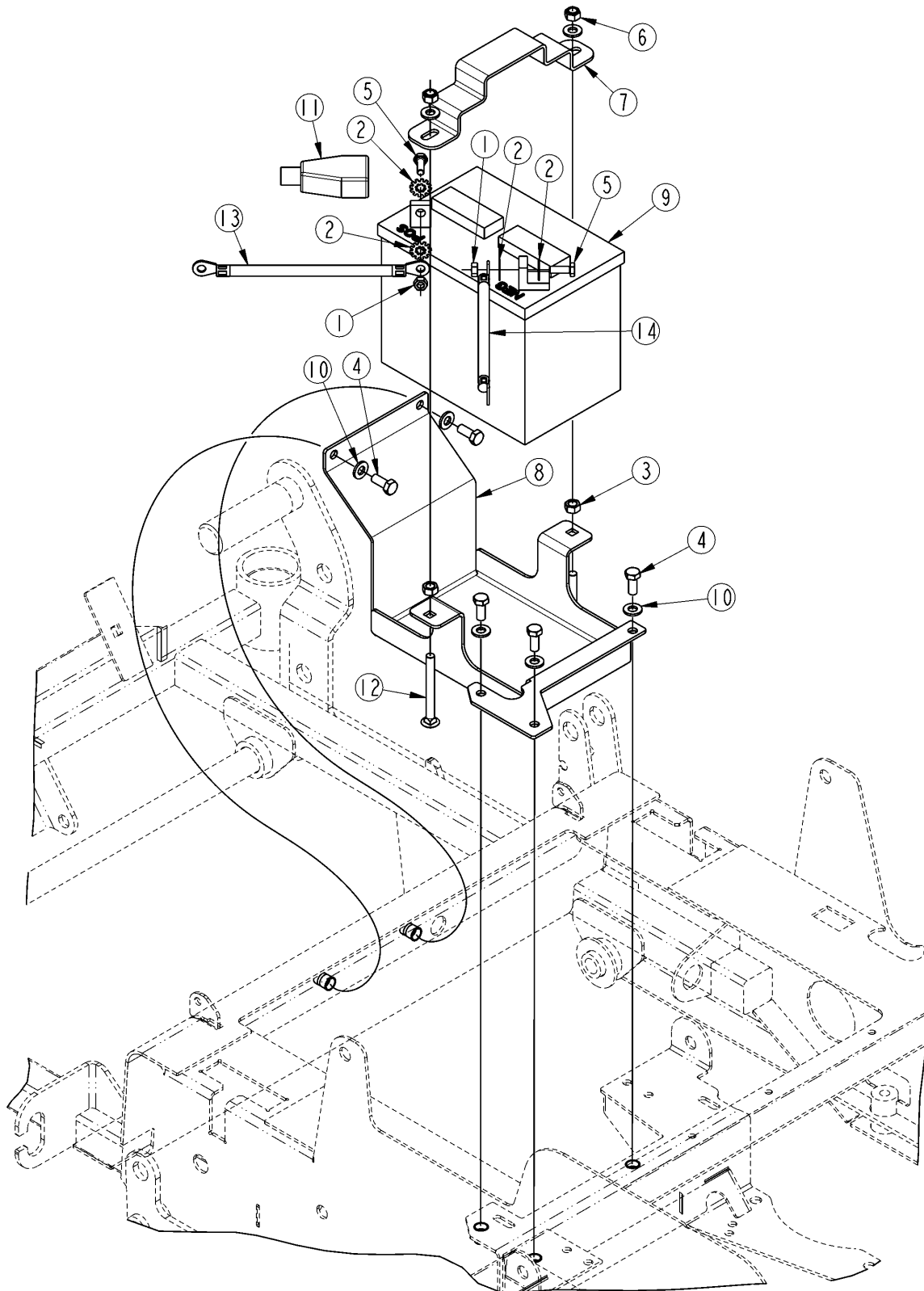
Seat and Footrest

Applies to RAZOR ZR44 (S/N 472619-), RAZOR ZR52 (S/N 472619-)

Ref	Part No.	Part Description	Comments	Revision
	dwg20714	Drawing Image Number		
1.	802-149C	RHSNB 3/8-16X3/4 GR5		
2.	802-007C	HHCS 5/16-18X3/4 GR5		
3.	803-014C	NUT HEX 3/8-16 PLT		
4.	803-084C	NUT HEX NYLOCK 5/16-18 PLT		
5.	839-271C	CS .312-18X.750HX G5 ZNYC		
6.	356-058D	ZR FLOOR PLATE		
7.	356-070D	SEAT SUPPORT ZR		
8.	804-012C	WASHER FLAT 3/8 SAE PLT		
9.	804-036C	WASHER FLAT 5/16 SAE PLT		
10.	839-072C	BUMPER, RUBBER		
11.	839-284C	SEAT ZR LOW PROFILE	Arm Rest Optional	
12.	356-067H	44" ZR FRAME		
12.	356-068H	52" ZR FRAME		
13.	839-188C	ARM REST KIT (PAIR) ZR XB-180	For Seat 839-284C; (839-188C Parts not sold seperately)	
14.	839-320C	SEAT BLACK DELUXE CUSHION/LOGO		
15.	804-036C	WASHER FLAT 5/16 SAE PLT	For Deluxe Seat 839-320C	
16.	803-008C	NUT HEX 5/16-18 PLT	For Deluxe Seat 839-320C	
17.	356-119A	ARM REST RPLC SET FOR 839-320C	For Deluxe Seat 839-320C; (356-119A Parts not sold sepeately)	
17.	839-148C	OPERATOR PRESENCE SWITCH KIT	For 839-284C Seat Low Profile	
17.	107125P	SEAT SFTY SWTCH W/CNCTRS & FOM	For 839-320C Seat Deluxe	
17.	307130VN51	SEAT BACK COVER 839-320C	For 839-320C Seat Deluxe	
17.	307129VN01	SEAT BOTTOM COVER (839-320C)	For 839-320C Seat Deluxe	

Battery Assembly

Applies to RAZOR ZR44 (S/N 472619-), RAZOR ZR52 (S/N 472619-)



20716

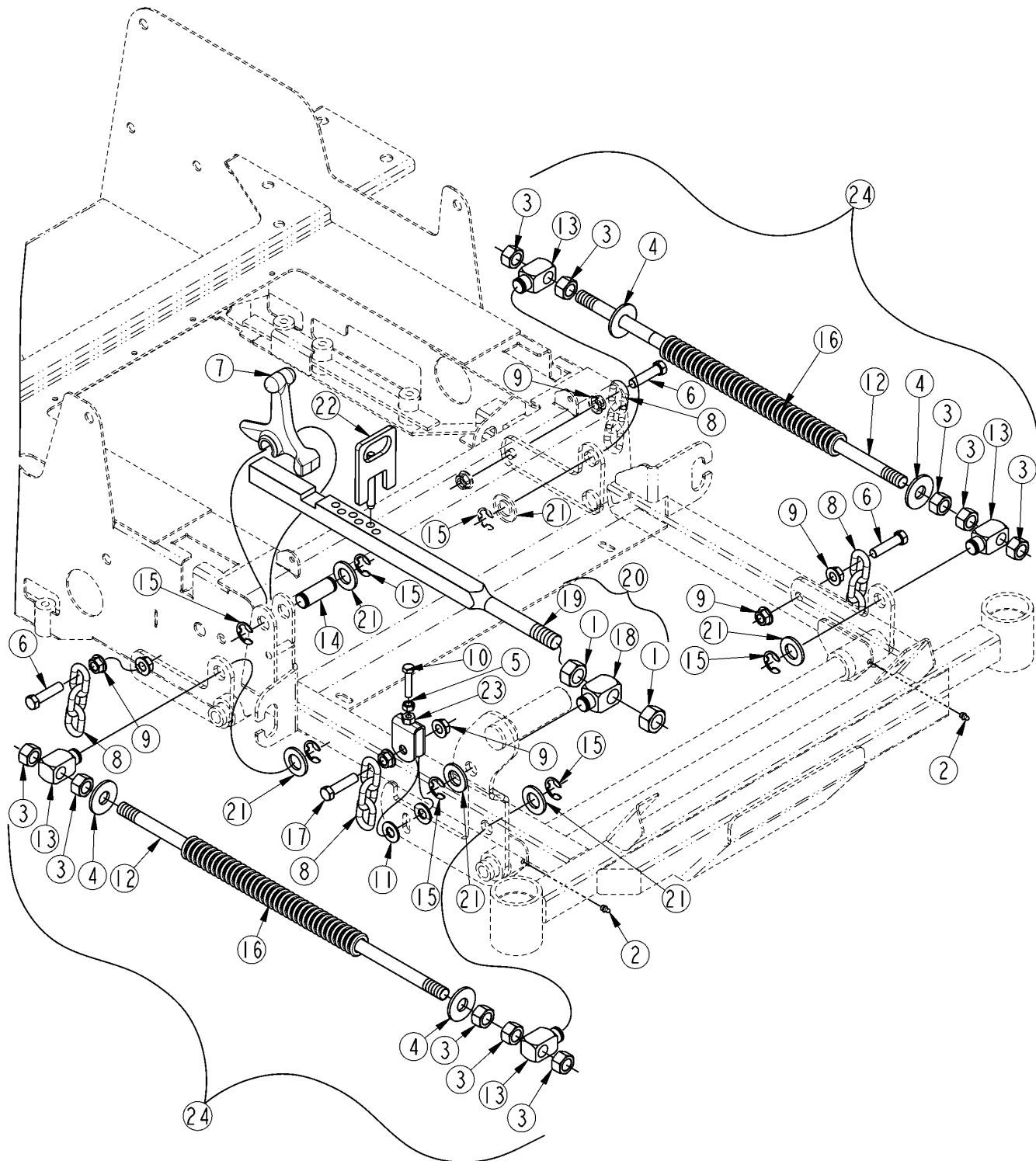
Battery Assembly

Applies to RAZOR ZR44 (S/N 472619-), RAZOR ZR52 (S/N 472619-)

Ref	Part No.	Part Description	Comments	Revision
	dwg20716	Drawing Image Number		
1.	803-006C	NUT HEX 1/4-20 PLT		
2.	839-128C	WASHER LOCK .250 INT-EXT T ZN		
3.	803-008C	NUT HEX 5/16-18 PLT		
4.	802-007C	HHCS 5/16-18X3/4 GR5		
5.	802-004C	HHCS 1/4-20X3/4 GR5		
6.	803-084C	NUT HEX NYLOCK 5/16-18 PLT		
7.	839-018C	STRAP, BATTERY CLAMP		
8.	356-059D	ZR BATTERY SUPPORT		
9.	N/A	BUY LOCALLY	U1L-HD (245 CCA) or U1L-X (300 CCA); B.C.I. Group Size U1/U1R	
10.	804-036C	WASHER FLAT 5/16 SAE PLT		
11.	839-043C	BATTERY CABLE BOOT-RED		
12.	839-135C	RHSNB 5/16-18X3 FULL THD ZN		
13.	839-193C	POSITIVE BATTERY CABLE		
14.	839-194C	NEGATIVE BATTERY CABLE		

Deck Lift

Applies to RAZOR ZR44 (S/N 472619-), RAZOR ZR52 (S/N 472619-)



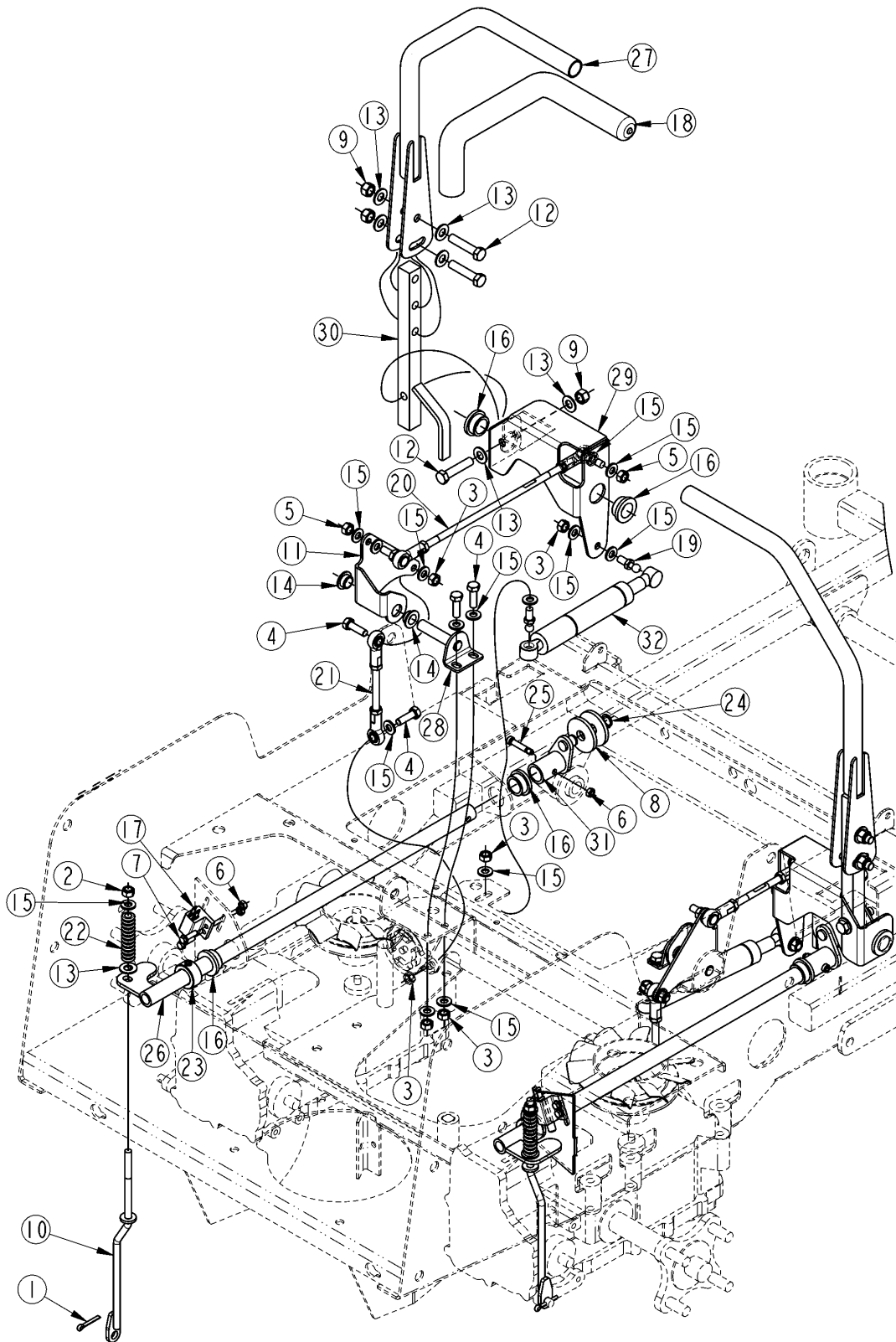
20717

Deck Lift**Applies to RAZOR ZR44 (S/N 472619-), RAZOR ZR52 (S/N 472619-)**

Ref	Part No.	Part Description	Comments	Revision
	dwg20717	Drawing Image Number		
1.	803-027C	NUT HEX 3/4-10 PLT		
2.	800-001C	GREASE ZERK STRAIGHT 1/4-28		
3.	803-021C	NUT HEX 5/8-11 PLT		
4.	804-019C	WASHER FLAT 5/8 USS PLT		
5.	803-008C	NUT HEX 5/16-18 PLT		
6.	839-113C	CLAMP, WIRING .312		
7.	356-008H	HANDLE STOP PLATED		
8.	839-195C	DECK LIFT CHAIN		
9.	803-052C	NUT HEX WHIZ 7/16-14 PLT		
10.	839-123C	HHCS 5/16-18X1 1/2FULL TD G5ZN		
11.	804-016C	WASHER FLAT 1/2 SAE PLT		
12.	357-002D	ROD, DECK LIFT		
12.	839-058C	RPBY 357-002D		
13.	839-060C	BLOCK, DECK LIFT		
14.	839-117C	CLEVIS PIN .750X2.25X1.75HDLES		
15.	839-108C	CLIP E, 1.00 X .625 X .05		
16.	839-067C	SPRING, DECK LIFT		
17.	839-125C	HHCS 7/16-14X1 3/4FULL TD G5ZN		
18.	839-150C	DECK LIFT BLOCK, 3/4		
19.	839-196C	ZR DECK HEIGHT INDICATOR		
20.	356-098S	ZR DECK LIFT INDICATOR ASSEM.		
21.	804-025C	WASHER FLAT 3/4 SAE PLT		
22.	356-006H	STOP, HEIGHT ADJ WELDMENT PLT		
23.	356-009H	DECK LEVEL YOKE WELDMENT		
24.	356-095S	DECK LIFT SPRING SUB-ASY		

Left Hand Control Lever and Park Brake

Applies to RAZOR ZR44 (S/N 472619-), RAZOR ZR52 (S/N 472619-)



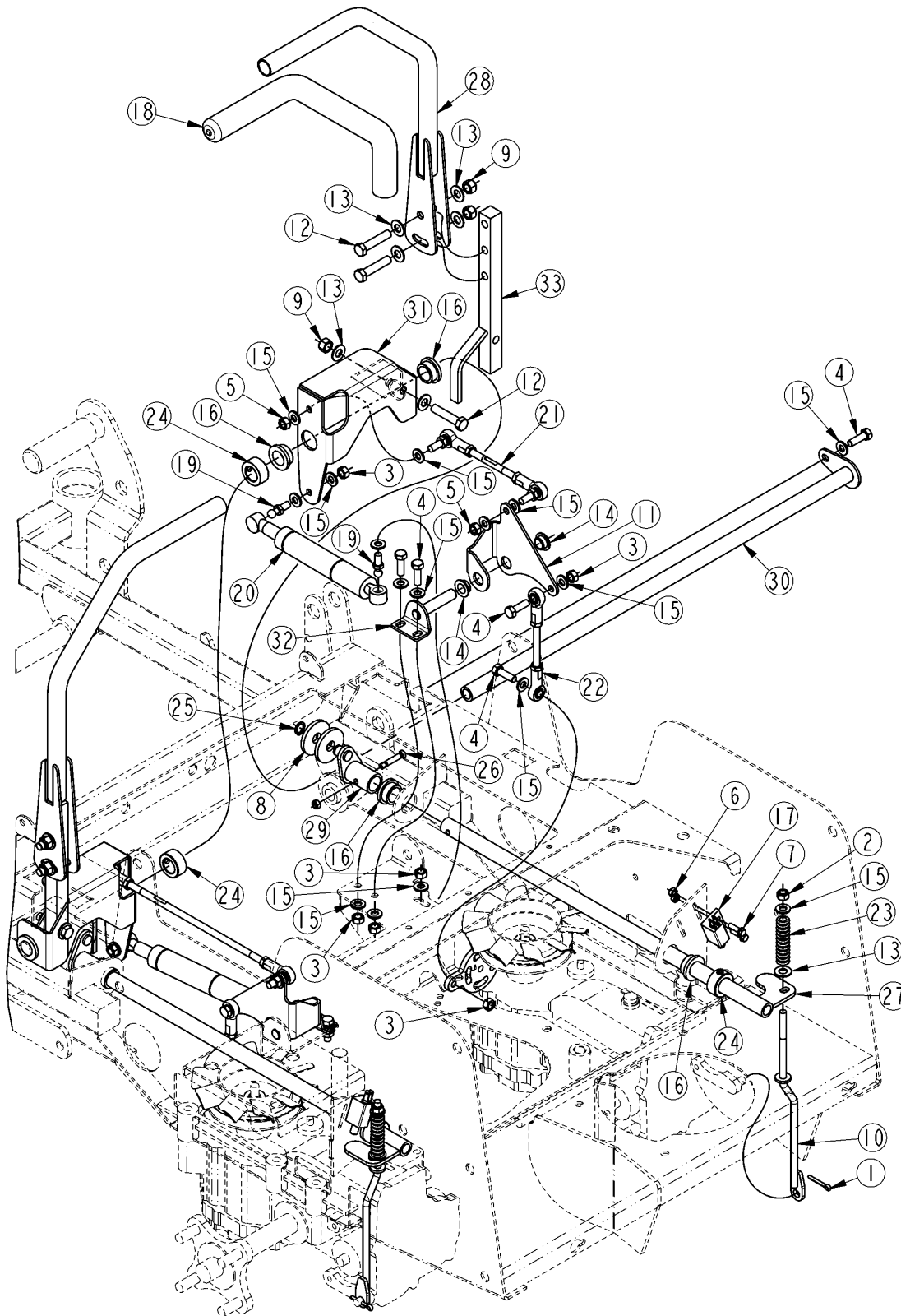
20718

Left Hand Control Lever and Park Brake**Applies to RAZOR ZR44 (S/N 472619-), RAZOR ZR52 (S/N 472619-)**

Ref	Part No.	Part Description	Comments	Revision
	dwg20718	Drawing Image Number		
1.	805-019C	PIN COTTER 5/32 X 1 PLT		
2.	803-270C	NUT HEX NYLOCK 5/16-24		
3.	803-008C	NUT HEX 5/16-18 PLT		
4.	802-159C	HHCS 5/16-18X1 GR5		
5.	803-243C	NUT HEX 5/16-24 PLT		
6.	803-268C	NUT HEX NYLOCK 10-24 PLT		
7.	801-155C	HFS 10-24 X 3/4 PLT		
8.	839-140C	WASHER FLAT.510X1.75X.18 ZN		
9.	803-078C	NUT LOCK 3/8-16 NYLON INSERT		
10.	356-076H	BRAKE LINK ZR		
11.	356-060D	STEERCRANK LEVER ZR		
12.	802-023C	HHCS 3/8-16X1 3/4 GR5		
13.	804-012C	WASHER FLAT 3/8 SAE PLT		
14.	839-207C	INGUS BUSHING, #MFI-0810-05		
15.	804-036C	WASHER FLAT 5/16 SAE PLT		
16.	839-211C	BUSHING, PLASTIC .750X1.00X.50		
17.	839-062C	SWITCH, PUSH BUTTON (DELTA)		
18.	839-063C	GRIP, STEERING BAR		
19.	839-079C	BALL STUD, DAMPER		
20.	839-209C	LH PUMP ROD ADJSTER ASSEMBLY		
21.	839-208C	FIXED ASSEMBLY PUMP ROD		
22.	839-213C	BRAKE TENSION SPRING		
23.	839-212C	LOCK COLLAR .750		
24.	839-215C	RETAINING RING		
25.	839-214C	SB .250 X 1.00 SH #10-24 ZNYC		
26.	356-075H	BRAKE TUBE ZR		
27.	356-072H	STEERING BAR ZR		
28.	356-074H	CRANK PIVOT ZR		
29.	357-007H	SUPPORT AY, LH STEER ARM	Field Modify to Kit Over Brake Tube	
29.	356-061D	RPBY 357-007H		
30.	356-073H	STEER ARM SUPPORT ZR		
31.	356-077H	LH ROLLER ARM ZR		
32.	839-216C	CENTERING DAMPENER	Does Not Include #19	

Right Hand Control Lever and Park Brake

Applies to RAZOR ZR44 (S/N 472619-), RAZOR ZR52 (S/N 472619-)



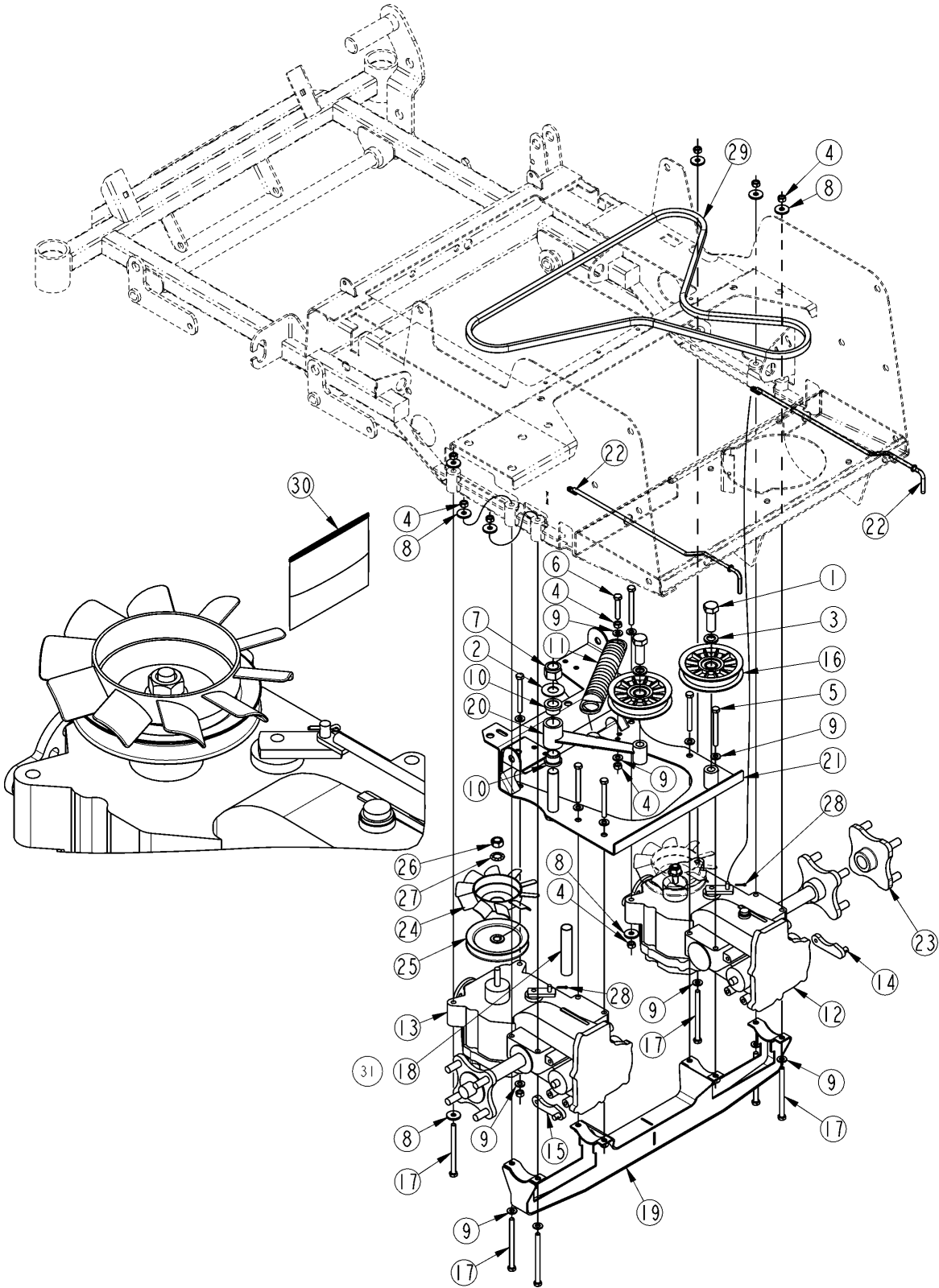
20719

Right Hand Control Lever and Park Brake**Applies to RAZOR ZR44 (S/N 472619-), RAZOR ZR52 (S/N 472619-)**

Ref	Part No.	Part Description	Comments	Revision
	dwg20719	Drawing Image Number		
1.	805-019C	PIN COTTER 5/32 X 1 PLT		
2.	803-270C	NUT HEX NYLOCK 5/16-24		
3.	803-008C	NUT HEX 5/16-18 PLT		
4.	802-159C	HHCS 5/16-18X1 GR5		
5.	803-243C	NUT HEX 5/16-24 PLT		
6.	803-268C	NUT HEX NYLOCK 10-24 PLT		
7.	801-155C	HFS 10-24 X 3/4 PLT		
8.	839-140C	WASHER FLAT.510X1.75X.18 ZN		
9.	803-078C	NUT LOCK 3/8-16 NYLON INSERT		
10.	356-076H	BRAKE LINK ZR		
11.	356-060D	STEERCRANK LEVER ZR		
12.	802-023C	HHCS 3/8-16X1 3/4 GR5		
13.	804-012C	WASHER FLAT 3/8 SAE PLT		
14.	839-207C	INGUS BUSHING, #MFI-0810-05		
15.	804-036C	WASHER FLAT 5/16 SAE PLT		
16.	839-211C	BUSHING, PLASTIC .750X1.00X.50		
17.	839-062C	SWITCH, PUSH BUTTON (DELTA)		
18.	839-063C	GRIP, STEERING BAR		
19.	839-079C	BALL STUD, DAMPER		
20.	839-216C	CENTERING DAMPENER		
21.	839-210C	RH PUMP ROD ADJSTER ASSEMBLY		
22.	839-208C	FIXED ASSEMBLY PUMP ROD		
23.	839-213C	BRAKE TENSION SPRING		
24.	839-212C	LOCK COLLAR .750		
25.	839-215C	RETAINING RING		
26.	839-214C	SB .250 X 1.00 SH #10-24 ZNYC		
27.	356-075H	BRAKE TUBE ZR		
28.	356-072H	STEERING BAR ZR		
29.	356-078H	RH ROLLER ARM ZR		
30.	356-079H	PIVOT TUBE ZR		
31.	357-008H	SUPPORT AY, RH STEER ARM	Field Modify to Kit Over Brake Tube	
31.	356-062D	RPBY 357-008H		
32.	356-074H	CRANK PIVOT ZR		
33.	356-073H	STEER ARM SUPPORT ZR		

Transmission Assembly

Applies to RAZOR ZR44 (S/N 472619-), RAZOR ZR52 (S/N 472619-)



20715

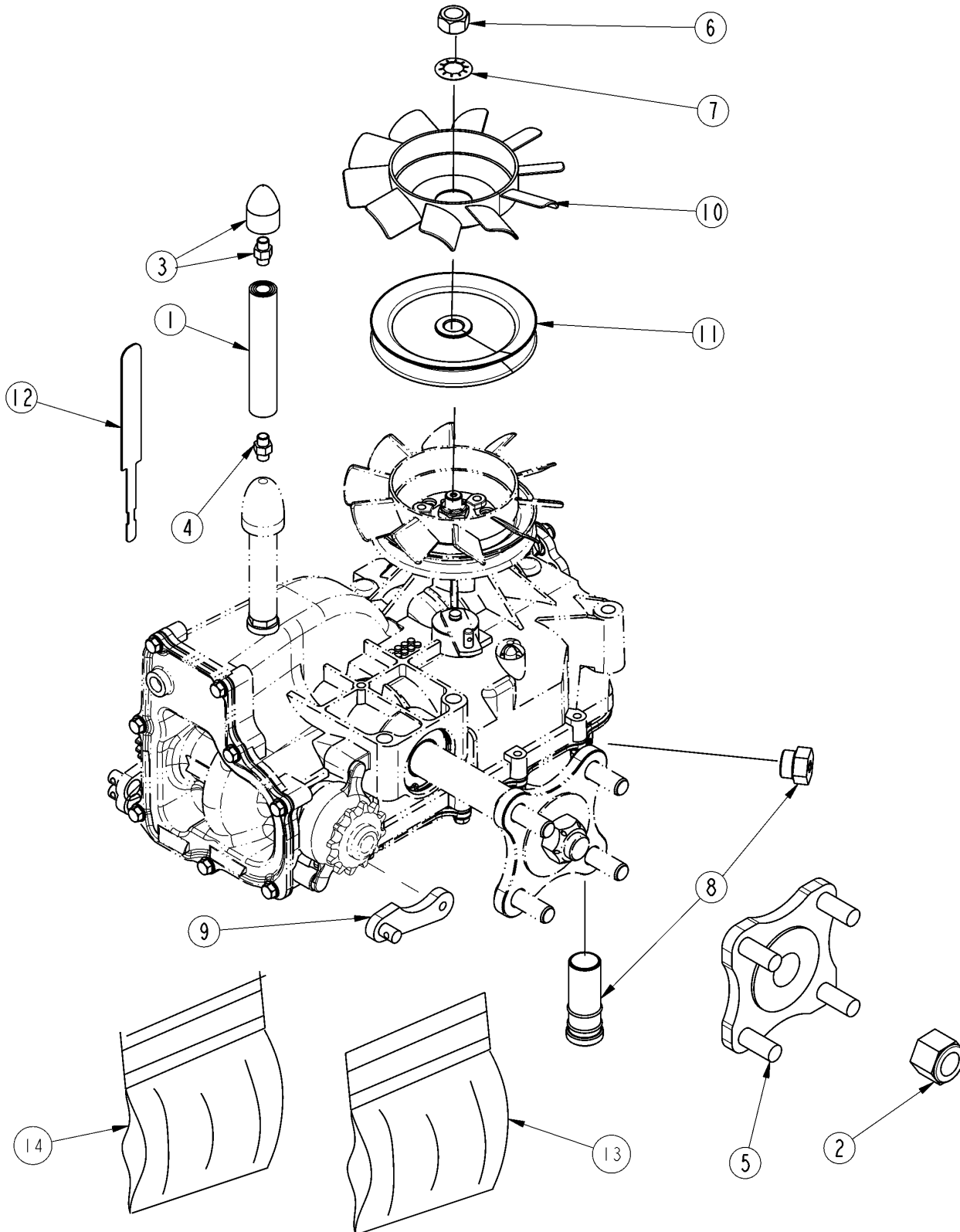
Transmission Assembly

Applies to RAZOR ZR44 (S/N 472619-), RAZOR ZR52 (S/N 472619-)

Ref	Part No.	Part Description	Comments	Revision
	dwg20715	Drawing Image Number		
1.	802-053C	HHCS 5/8-11X1 3/4 GR5		
2.	839-126C	WASHER FLAT .760X1.625X.08 ZN		
3.	839-127C	WASHER FLAT .62X1.00X.134 ZN		
4.	803-008C	NUT HEX 5/16-18 PLT		
5.	802-131C	HHCS 5/16-18X3 GR5		
6.	802-013C	HHCS 5/16-18X1 3/4 GR5		
7.	803-025C	NUT HEX 3/4-10 PLT NYLOCK		
8.	804-084C	WASHER FLAT 5/16 HARD ASTM F436		
9.	804-036C	WASHER FLAT 5/16 SAE PLT		
10.	839-059C	BUSHING, UHMW		
11.	839-065C	IDLER SPRING		
12.	356-549S	IZT TRANSMISSION RH W/MANUAL	S/N 382523+	
12.	839-220C	RPBY 356-549S	S/N 382522-	
13.	356-548S	IZT TRANSMISSION LH W/MANUAL	S/N 382523+	
13.	839-219C	RPBY 356-548S	S/N 382522-	
14.	839-222C	RIGHT HAND PARKING PAWL		
15.	839-223C	LEFT HAND PARKING PAWL		
16.	839-217C	PULLEY IDLER 4.00"OD, 5/8ID		
17.	839-218C	CS .312-18X4.250 HX G5 ZNYC		
18.	839-221C	BREATHER SLEAVE IZT		
19.	356-081H	LOWER MOUNT SUPPORT ZR		
20.	356-080H	PUMP IDLER ZR		
21.	356-069H	IDLER PLATE WELDMENT		
22.	356-099H	TOW LINK ZR	(S/N _____+)	Rev. 3 not compat. w/Rev. 2
22.	356-082H	TOW LINK ZR	(S/N 348668 <-> _____)	Rev. 2 not compat. w/Rev. 1
22.	356-063H	TRANS. BYPASS LINK	(S/N 348667-)	Rev. 1
23.	70314	HYDROGEAR HUB FOR 839-219C/220C		
24.	839-224C	FAN LEFT/RIGHT PUMP/MOTOR ZR		
25.	839-225C	PULLEY ZR		
26.	803-298C	NUT HEX NYLOCK 1/2-20 PLT		
27.	804-191C	WASHER BELLVL .531X1.250X.092		
28.	805-307C	PIN COTTER 3/32 X 1/2		
29.	816-387C	PUMP BELT ZR44 & 52		
30.	839-226C	SEAL KIT FOR PUMP/MOTOR ZR		
31.	70970	HYDROGEAR BREATHER KIT		
		*		
		HYDRAULIC INFORMATION		
		1. Fluid type = 20W50 Mobil oil		
		2. Fluid capacity = 79 oz. per transmission assembly		
		3. Filter Kit (Kit includes two filters and magnetic drain plugs)	356-552A	
		___ Use 3 oz. per gallon for system repair		
		___ Use 3.5 oz. for new system or oil change		

Transmission Components 356-548S and 356-549S

Applies to RAZOR ZR44 (S/N 472619-), RAZOR ZR52 (S/N 472619-)



23931

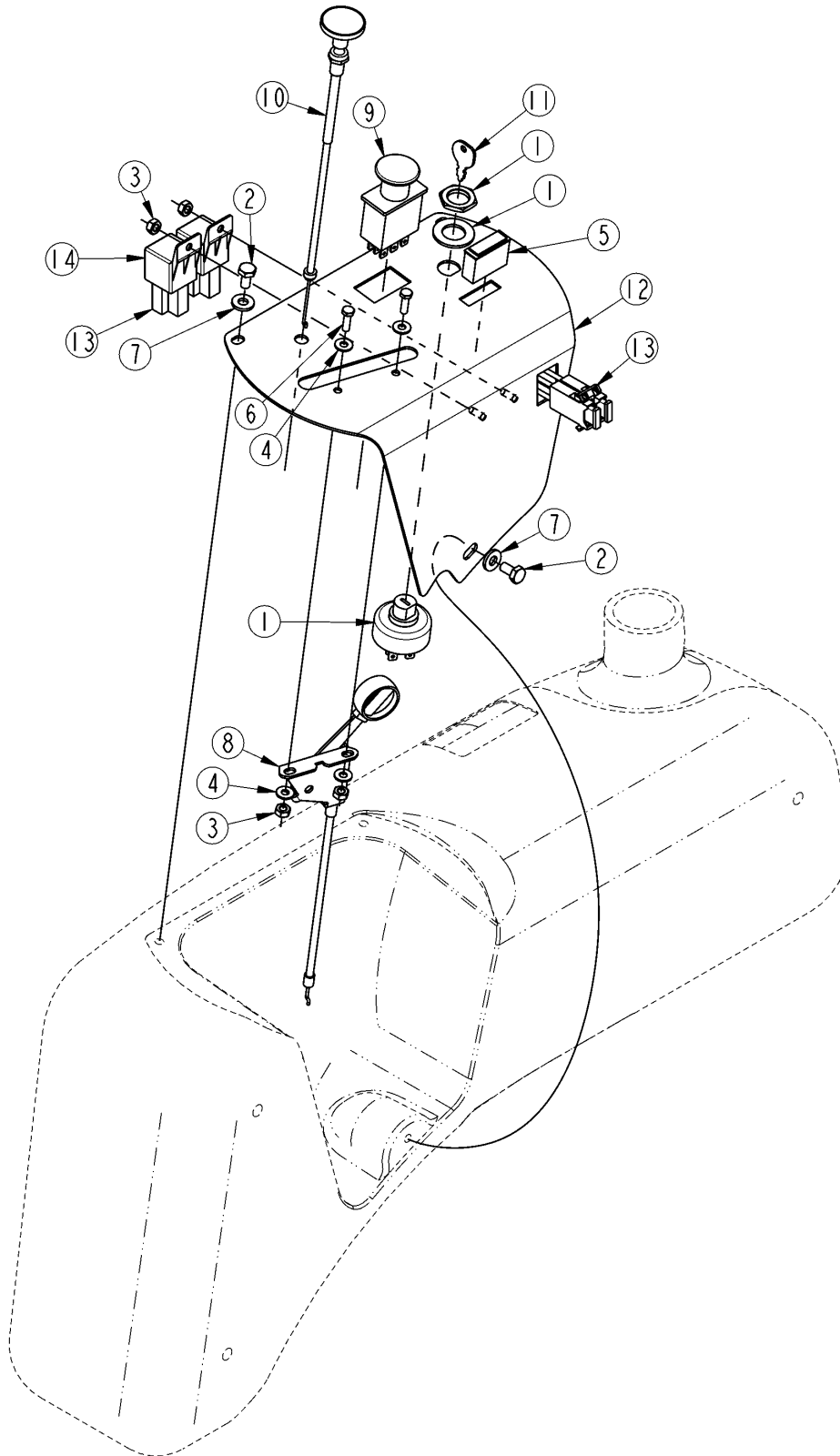
Transmission Components 356-548S and 356-549S

Applies to RAZOR ZR44 (S/N 472619-), RAZOR ZR52 (S/N 472619-)

Ref	Part No.	Part Description	Comments	Revision
	dwg23931	Drawing Image Number		
1.	839-221C	1/2" ID HOSE	6" LONG	
2.	50863	HG NUT, HEX LOCK 3/4-16		
3.	70109	HYDROGEAR VENT CAP		
4.	70110	HYDROGEAR FITTING O-RING ASSY		
5.	70314	HYDROGEAR HUB FOR839-219C/220C		
6.	803-298C	NUT HEX NYLOCK 1/2-20 PLT		
7.	804-191C	WASHER BELLVL .531X1.250X.092		
8.	831-041C	RAZOR IZT FILTER KIT		
9.	839-223C	LEFT HAND PARKING PAWL		
9.	839-222C	RIGHT HAND PARKING PAWL		
10.	839-224C	FAN LEFT/RIGHT PUMP/MOTOR ZR		
11.	839-225C	PULLEY ZR		
12.	890-965C	DIPSTICK IZT 2600 RAZOR	Service Part S/N 526169-	
13.	356-552A	RAZOR IZT FILTER KIT ASSY.		
14.	839-226C	SEAL KIT FOR PUMP/MOTOR ZR		

Control Panel

Applies to RAZOR ZR44 (S/N 472619-), RAZOR ZR52 (S/N 472619-)



20723

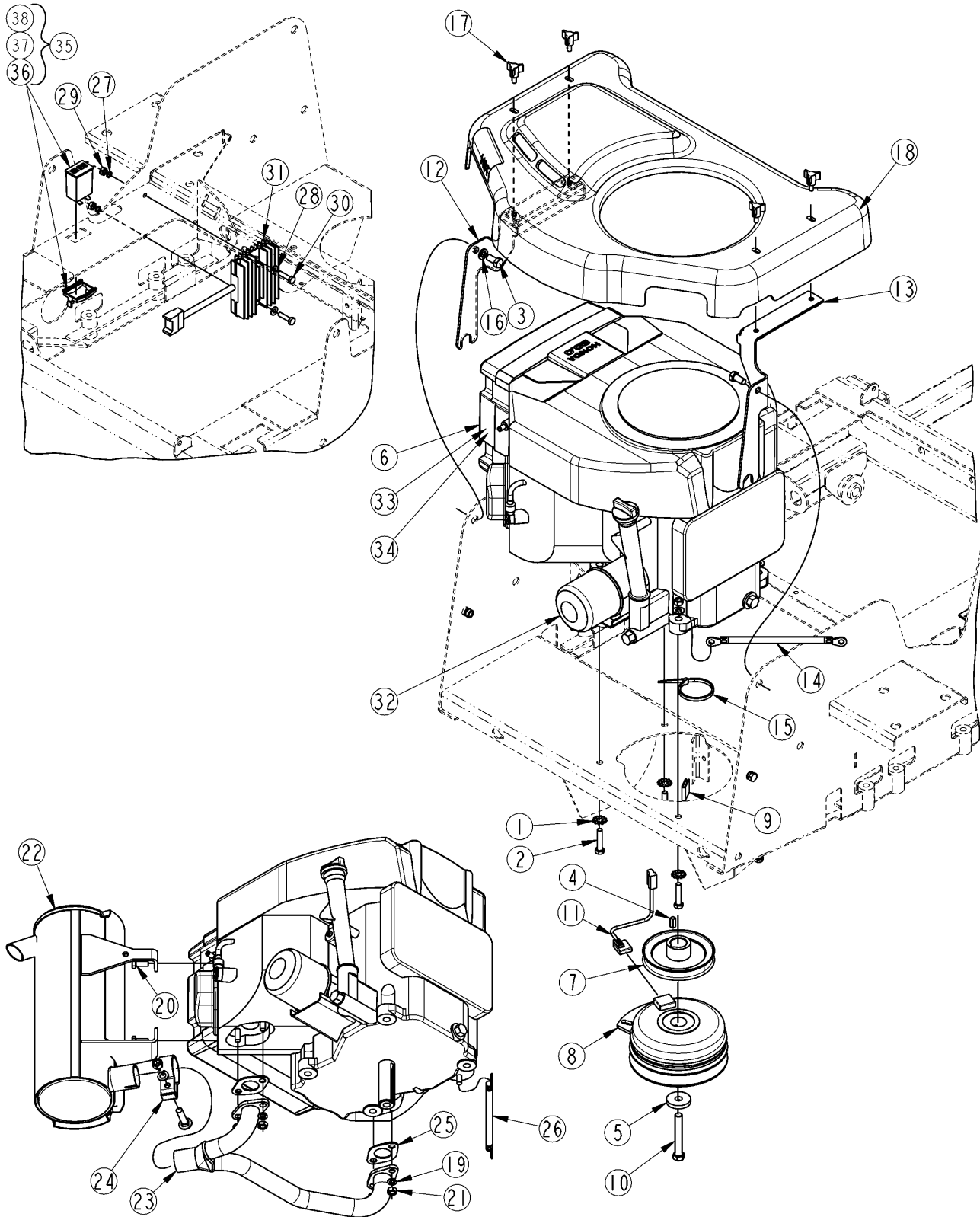
Control Panel

Applies to RAZOR ZR44 (S/N 472619-), RAZOR ZR52 (S/N 472619-)

Ref	Part No.	Part Description	Comments	Revision
	dwg20723	Drawing Image Number		
1.	839-011C	IGNITION KEY SWITCH	Includes Key	
2.	802-301C	HHCS 1/4-20X1/2 GR5		
3.	803-268C	NUT HEX NYLOCK 10-24 PLT		
4.	804-046C	WASHER FLAT #10 SAE PLT		
5.	839-027C	INDICATOR LIGHT, RED		
6.	839-133C	HHCS #10-24X5/8 ZN		
7.	804-046C	WASHER FLAT #10 SAE PLT		
8.	839-245C	ENGINE CONTROLS CABLE ZR	18 & 20 HP Honda	
8.	839-394C	THROTTLE CABLE ZR 16HP HONDA	16 HP Honda	
9.	839-044C	SWITCH, CLUTCH 6201-321		
10.	839-243C	CHOKE CABLE ZR	18 & 20 HP	
10.	839-274C	Z CHOKE CABLE	16 HP	
11.	839-012C	IGNITION KEY		
12.	839-244C	INSTRUMENT PANEL ZR		
13.	839-230C	WIRE HARNESS ZR		
14.	839-069C	RELAY		

Engine Assembly

Applies to RAZOR ZR44 (S/N 472619-), RAZOR ZR52 (S/N 472619-)



20721

Engine Assembly**Applies to RAZOR ZR44 (S/N 472619-), RAZOR ZR52 (S/N 472619-)**

Ref	Part No.	Part Description	Comments	Revision
	dwg20721	Drawing Image Number		
1.	839-129C	WASHER LOCK .312 INT-EXT T ZN		
2.	802-012C	HHCS 5/16-18X1 1/2 GR5		
3.	802-014C	HHCS 3/8-16X3/4 GR5		
4.	839-232C	KEY 1/4 SQ X .66 LONG		
5.	839-134C	WASHER FLAT .454X1.50X.250		
6.	826-385C	ENGINE HONDA 20 HP		
6.	826-386C	ENGINE HONDA 18 HP		
6.	826-387C	ENGINE HONDA 16 HP		
7.	839-279C	PUMP DRIVE PULLEY 4" O.D.	(S/N 352703+)	Rev. 2
7.	839-233C	RPBY 839-279C (PULLEY 4.5 OD)	(S/N 352702-)	Rev. 1
8.	839-234C	CLUTCH ZR		
9.	839-182C	RUBBER BUMPER		
10.	839-235C	CS .437-20 X 3.00 HX G5 ZNYC		
11.	839-236C	WIRE HARNESS PIGTAIL, CLUTCH ZR		
12.	356-056H	ZR LH HOOD MOUNT BRACKET WLD	S/N 381769-	
13.	356-057H	ZR RH HOOD MOUNT BRACKET WLD	S/N 381769-	
14.	839-194C	NEGATIVE BATTERY CABLE		
15.	800-112C	CABLE TIE .19X7.25 1.75D 50LB		
16.	804-013C	WASHER LOCK SPRING 3/8 PLT		
17.	817-192C	KNOB 3 PRONG 1/4-20 X 1/2 LG	S/N 381769-	
18.	817-497C	ZTR REAR HOOD PLASTIC 18/20HP	S/N 381769-	
18.	817-518C	ZTR REAR HOOD PLASTIC 16HP	S/N 381769-	
19.	804-009C	WASHER LOCK SPRING 5/16 PLT		
20.	839-122C	HFCS M8-1.25X20 10.9 HX FL ZN		
21.	839-136C	NUT HEX M8-1.25 STAINLESS STL		
22.	826-388C	MUFFLER HONDA 16/18/20		
23.	839-228C	MUFFLER MANIFOLD ZR		
24.	839-227C	EXHAUST PIPE CLAMP ZR		
25.	839-229C	GASKET MUFFLER HONDA (20)		
26.	839-193C	POSITIVE BATTERY CABLE		
27.	804-006C	WASHER LOCK SPRING 1/4 PLT		
28.	804-007C	WASHER FLAT 1/4 SAE PLT		
29.	803-006C	NUT HEX 1/4-20 PLT		
30.	802-005C	HHCS 1/4-20X1 GR5		
31.	839-231C	RECTIFIER 20 AMP HONDA		
32.	831-038C	HONDA ENGINE OIL FILTER	18-24 HP	
32.	839-378C	HONDA 16HP OIL FILTER	16 HP	
33.	831-036C	HONDA AIR FILTER	Inside cover 18-24 HP	
33.	839-379C	HONDA 16HP AIR-PAPER FILTER	Inside cover 16 HP	
34.	831-037C	HONDA AIR FILTER PRECLEANER	Inside cover 18-24 HP	
34.	839-380C	HONDA 16HP AIR-PRE CLEAN FILTR	Inside cover 16 HP	
35.	356-108A	HOUR METER/WIRE HARNESS-RAZOR	Optional Equipment	
36.	839-042C	HOUR METER	Optional Equipment	
37.	839-306C	WIRE HARNESS HOUR METER-RAZOR	Wiring Harness not shown; Optional Equipment	
38.	356-109M	MANUAL HOUR METER KIT - RAZOR	Manual not shown; Optional Equipment	
		*		
		*		
		16 HP HONDA ENGINE INFORMATION		
		1. Fluid type = SAE 10W30		
		2. Fluid capacity = 1.11 qts. with filter change		
		3. Oil filter	839-378C	
		4. Air pre-cleaner	839-380C	
		5. Air filter element	839-379C	
		6. Fuel filter	831-035C	
		7. Spark plug	NGK BPR5ES / W16EPR-U	

Engine Assembly (continued)

Applies to RAZOR ZR44 (S/N 472619-), RAZOR ZR52 (S/N 472619-)

Ref	Part No.	Part Description	Comments	Revision
		*		
		18/20 HP HONDA ENGINE INFORMATION		
		1. Fluid type = SAE 10W30		
		2. Fluid capacity = 2.3 qts. with filter change		
		3. Oil filter	831-038C	
		4. Air pre-cleaner	831-037C	
		5. Air filter element	831-036C	
		6. Fuel filter	831-035C	
		7. Spark Plug	NGK ZGR5A / J16CR-U	

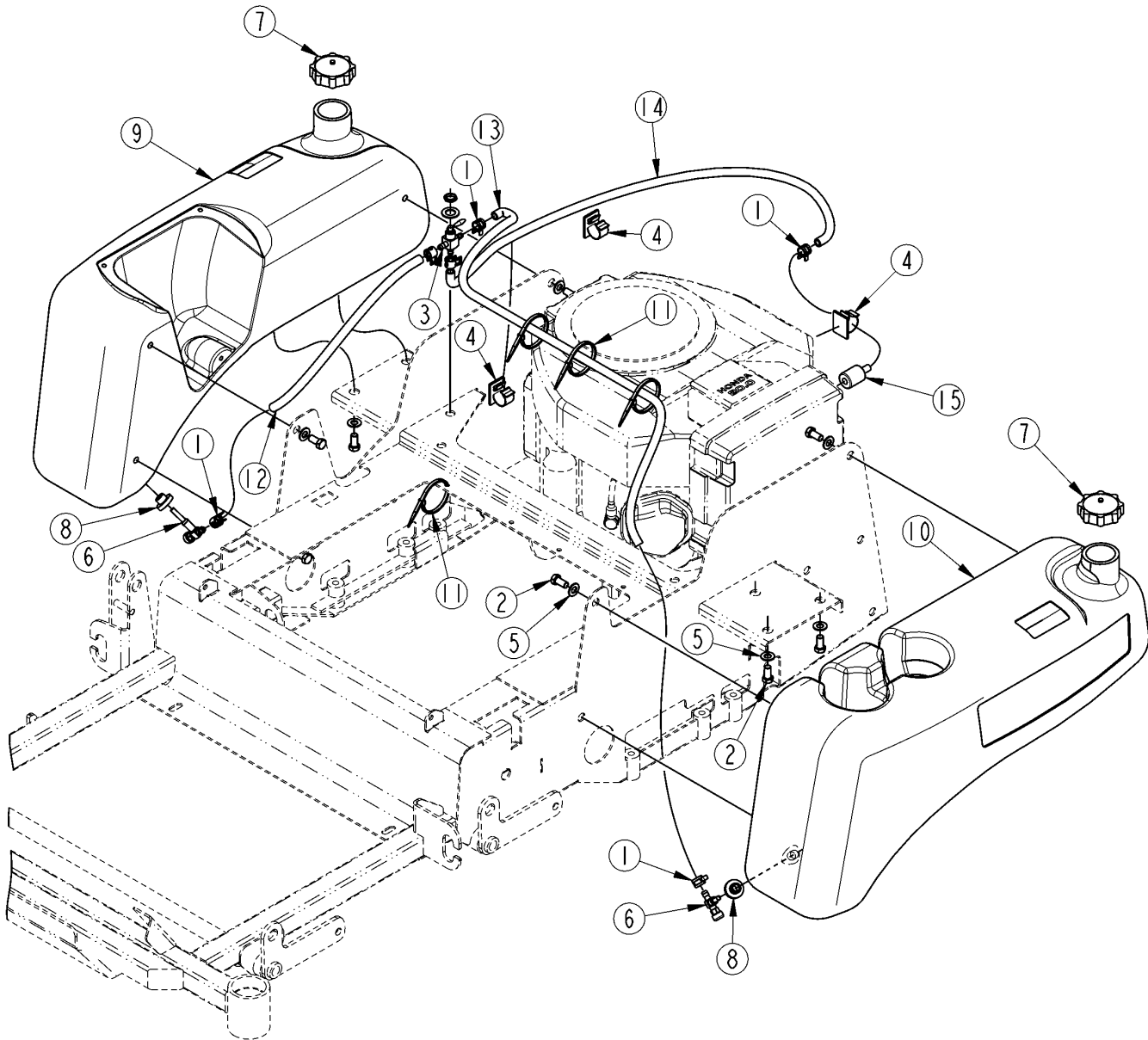
Engine Assembly (continued)

Applies to RAZOR ZR44 (S/N 472619-), RAZOR ZR52 (S/N 472619-)

This Page Intentionally Left Blank

Fuel System

Applies to RAZOR ZR44 (S/N 472619-), RAZOR ZR52 (S/N 472619-)



20722

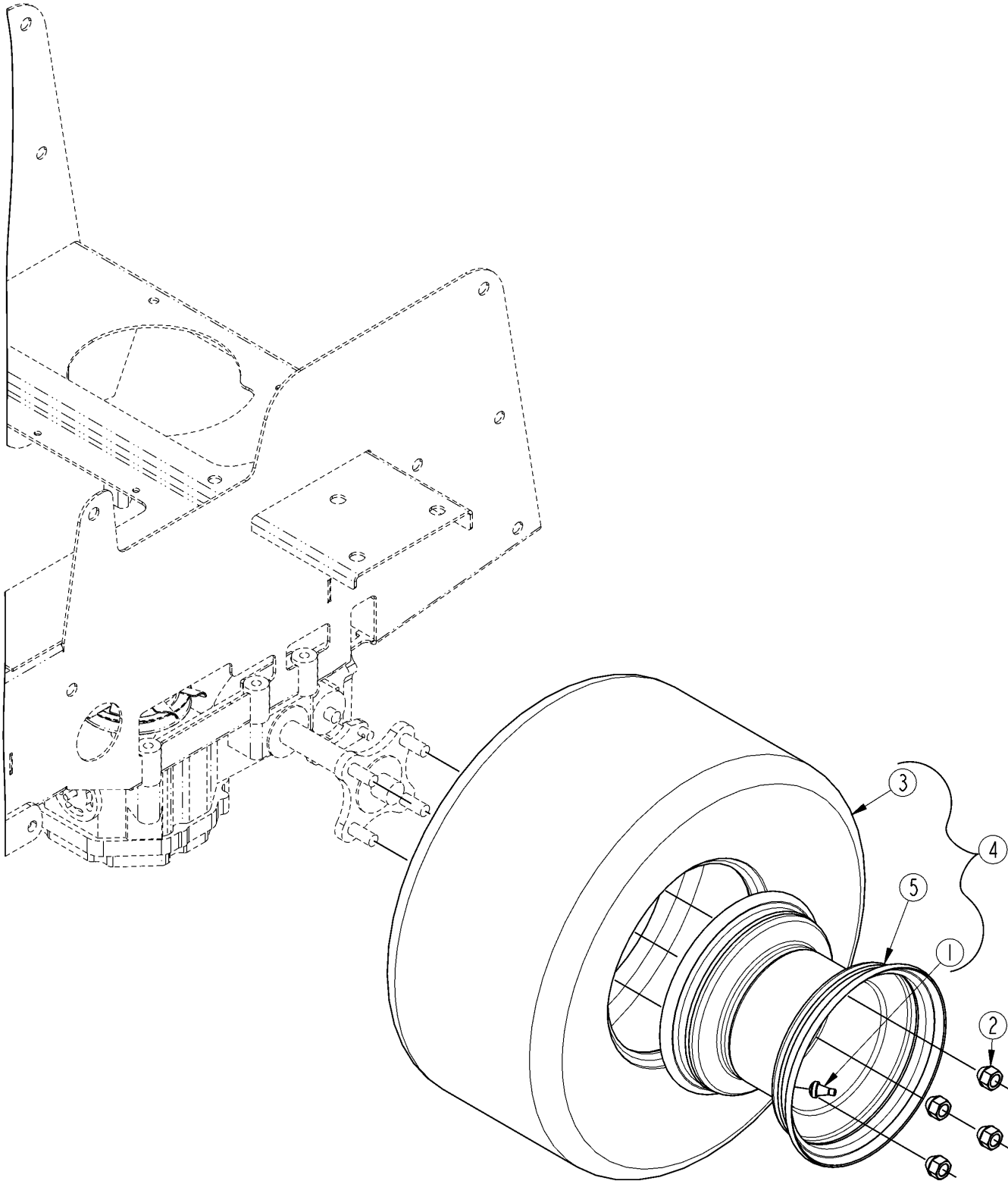
Fuel System

Applies to RAZOR ZR44 (S/N 472619-), RAZOR ZR52 (S/N 472619-)

Ref	Part No.	Part Description	Comments	Revision
	dwg20722	Drawing Image Number		
1.	839-003C	CLIP		
2.	802-014C	HHCS 3/8-16X3/4 GR5		
3.	839-160C	FUEL SELECTOR VALVE 3 WAY		
4.	839-242C	CLIP		
5.	804-012C	WASHER FLAT 3/8 SAE PLT		
6.	356-137S	GAS TANK FITTING W/NUT&WASHER		
6.	839-241C	FUEL SHUT-OFF VALVE	Supplied with items 9 & 10	
7.	817-596C	FUEL CAP TALL, SPASH GRD & VENT		
7.	839-237C	RPBY 817-596C		
8.	356-137S	GAS TANK FITTING W/NUT&WASHER		
8.	839-240C	GROMMET FUEL SHUT-OFF VALVE		
9.	839-238C	FUEL TANK RIGHT SIDE ZR	With Ra Zor Z Decal	Rev. 2
9.	839-022C	FUEL TANK, RIGHT SIDE ACCU-Z	With Accu-Z Decal	Rev. 1
10.	839-239C	FUEL TANK LEFT SIDE ZR	With Ra Zor Z Decal	Rev. 2
10.	839-023C	FUEL TANK, LEFT SIDE ACCU-Z	With Accu-Z Decal	Rev. 1
11.	800-112C	CABLE TIE .19X7.25 1.75D 50LB		
12.	839-005C	FUEL LINE (PER FOOT) 1/4"	14" total length needed	
13.	839-005C	FUEL LINE (PER FOOT) 1/4"	35" total length needed	
14.	839-005C	FUEL LINE (PER FOOT) 1/4"	33" total length needed	
15.	831-035C	HONDA FUEL FILTER		

Drive Wheels

Applies to RAZOR ZR44 (S/N 472619-), RAZOR ZR52 (S/N 472619-)



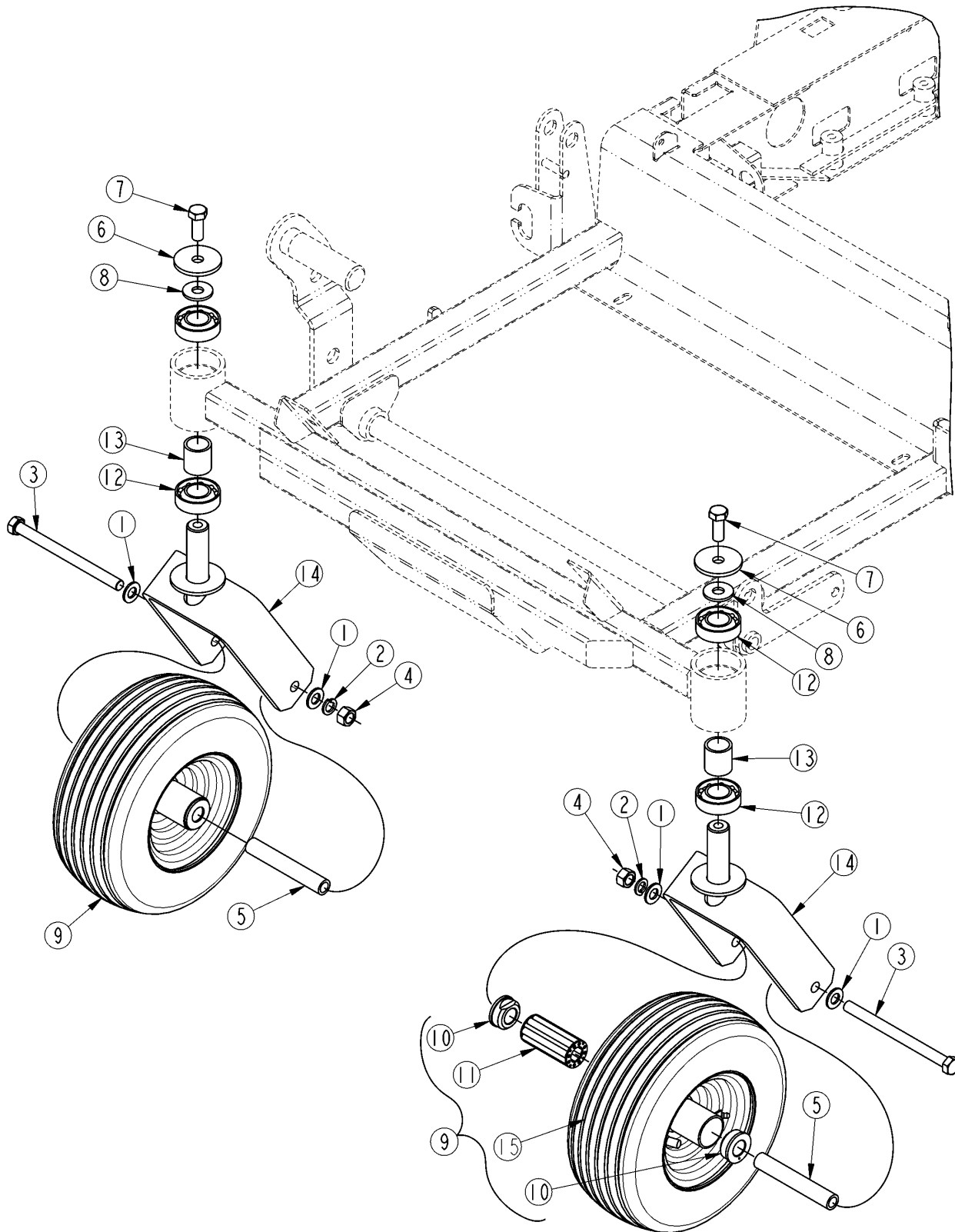
20725

Drive Wheels**Applies to RAZOR ZR44 (S/N 472619-), RAZOR ZR52 (S/N 472619-)**

Ref	Part No.	Part Description	Comments	Revision
	dwg20725	Drawing Image Number		
1.	816-088C	VALVE STEM TR412		
2.	839-013C	WHEEL NUT 1/2 IN		
3.	839-258C	TIRE 18 X 8.5	ZR44	
3.	839-255C	TIRE 18 X 9.5	ZR52	
4.	839-257C	WHEEL/TIRE ASSY 18 X 8.50	ZR44	
4.	839-254C	WHEEL/TIRE ASSY 18 X 9.50	ZR52	
5.	839-259C	WHEEL-RIM 8.5	ZR44	
5.	839-256C	WHEEL-RIM 9.5	ZR52	

Front Wheels

Applies to RAZOR ZR44 (S/N 472619-), RAZOR ZR52 (S/N 472619-)



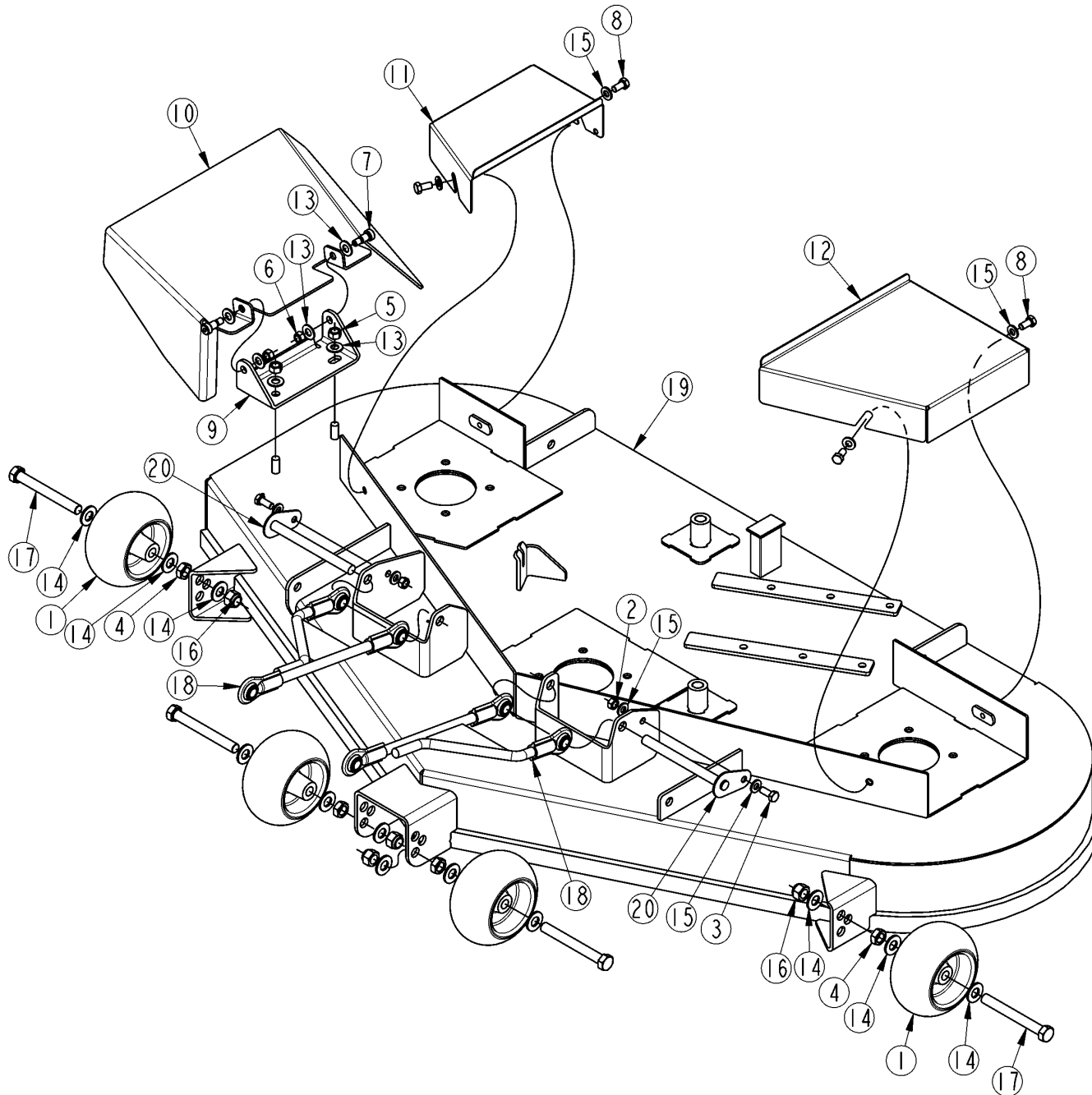
20724

Front Wheels**Applies to RAZOR ZR44 (S/N 472619-), RAZOR ZR52 (S/N 472619-)**

Ref	Part No.	Part Description	Comments	Revision
	dwg20724	Drawing Image Number		
1.	804-016C	WASHER FLAT 1/2 SAE PLT		
2.	804-015C	WASHER LOCK SPRING 1/2 PLT		
3.	802-323C	HHCS 1/2-13X6 1/2 GR5		
4.	839-249C	NT .500-13 HX G8 ZNYC		
5.	839-250C	SPACER GAGE WHEEL		
6.	839-131C	WASHER FLAT.510X2.15X.187SPLZN		
7.	802-034C	HHCS 1/2-13X1 1/4 GR5		
8.	839-246C	FW .531 C 1.375 X .125 ZNYC		
9.	839-251C	TIRE/WHL 11 X 4-5 RIBBED		
10.	839-253C	BEARING CAP		
11.	839-252C	3/4" ROLLER BEARING		
12.	839-247C	BEARING		
13.	839-248C	SPACER		
14.	356-083H	CASTER FORK WELDMENT		
15.	814-317C	11X4.00-5NHS 4PR RIB		

Deck Assembly

Applies to RAZOR ZR44 (S/N 472619-), RAZOR ZR52 (S/N 472619-)



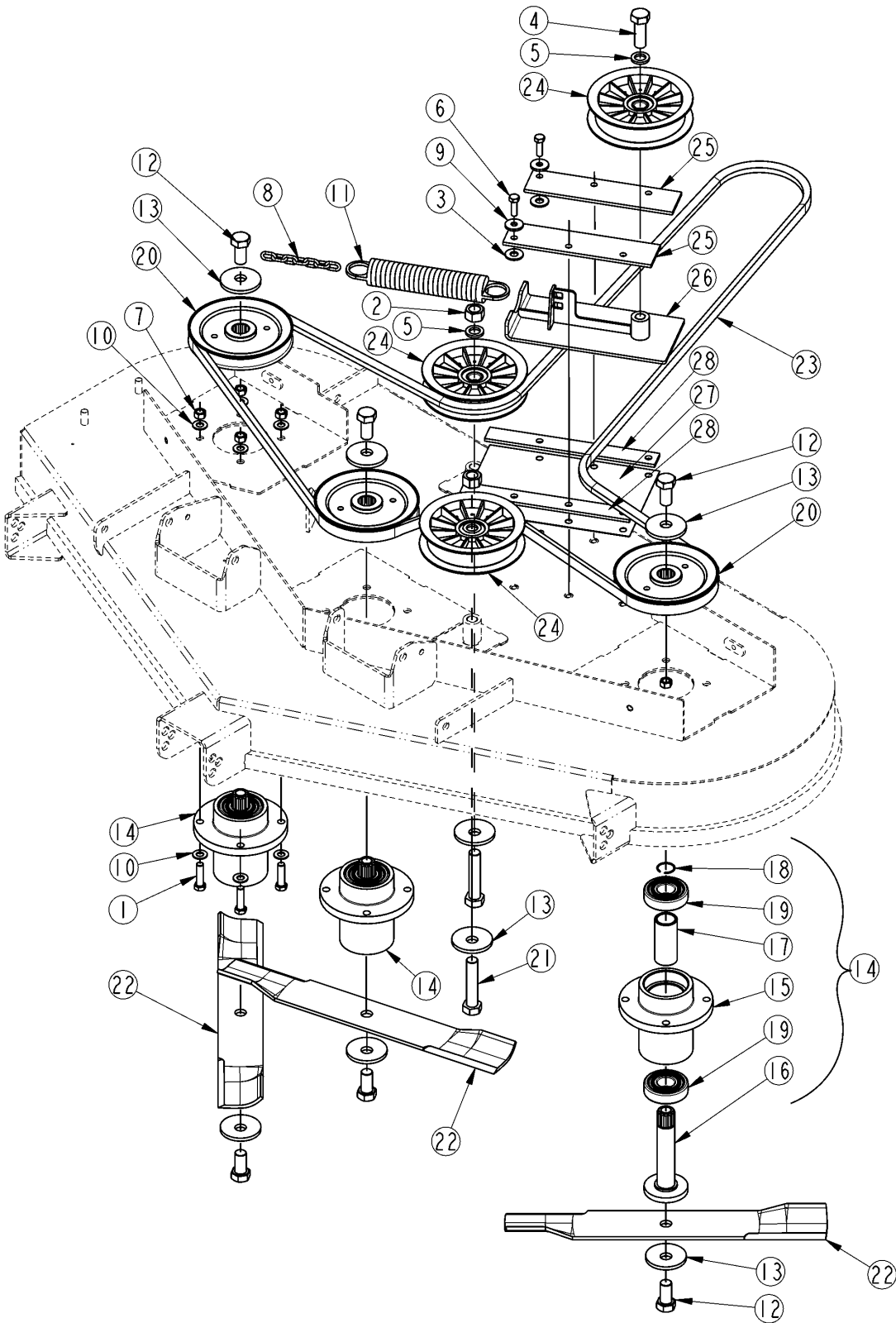
20728

Deck Assembly**Applies to RAZOR ZR44 (S/N 472619-), RAZOR ZR52 (S/N 472619-)**

Ref	Part No.	Part Description	Comments	Revision
	dwg20728	Drawing Image Number		
1.	839-008C	ANTI-SCALP WHEEL	44" deck requires 3 wheels; 52" deck requires 4 wheels	
2.	803-008C	NUT HEX 5/16-18 PLT		
3.	802-007C	HHCS 5/16-18X3/4 GR5		
4.	803-036C	NUT HEX JAM 1/2-13 PLT		
5.	803-014C	NUT HEX 3/8-16 PLT		
6.	803-084C	NUT HEX NYLOCK 5/16-18 PLT		
7.	839-260C	SB .375 X .500 SH.312-18 TD ZN		
8.	839-120C	HHCS 5/16-18X5/8 GR5 ZN		
9.	356-064D	DISCHARGE CHUTE MOUNT BRCKT ZR		
10.	356-063D	DISCHARGE CHUTE ZR		
11.	356-066D	PULLEY COVER R.S. ZR44		
11.	356-065D	PULLEY COVER R.S. ZR52		
12.	356-068D	PULLEY COVER L.S. ZR44		
12.	356-067D	PULLEY COVER L.S. ZR52		
13.	804-012C	WASHER FLAT 3/8 SAE PLT		
14.	804-016C	WASHER FLAT 1/2 SAE PLT		
15.	804-036C	WASHER FLAT 5/16 SAE PLT		
16.	803-147C	NUT HEX NYLOCK 1/2-13		
17.	802-311C	HHCS 1/2-13X4 1/4 GR5		
18.	357-080S	STRUT AY, DECK		
18.	839-261C	RPBY 357-080S		
19.	356-086H	ZR44 DECK WELDMENT	Requires 3 anti-scalp wheels	
19.	356-085H	ZR52 DECK WELDMENT	Requires 4 anti-scalp wheels	
20.	357-003H	SHAFT AY, RETAINER		

Deck Pulleys and Belt Assembly

Applies to RAZOR ZR44 (S/N 472619-), RAZOR ZR52 (S/N 472619-)



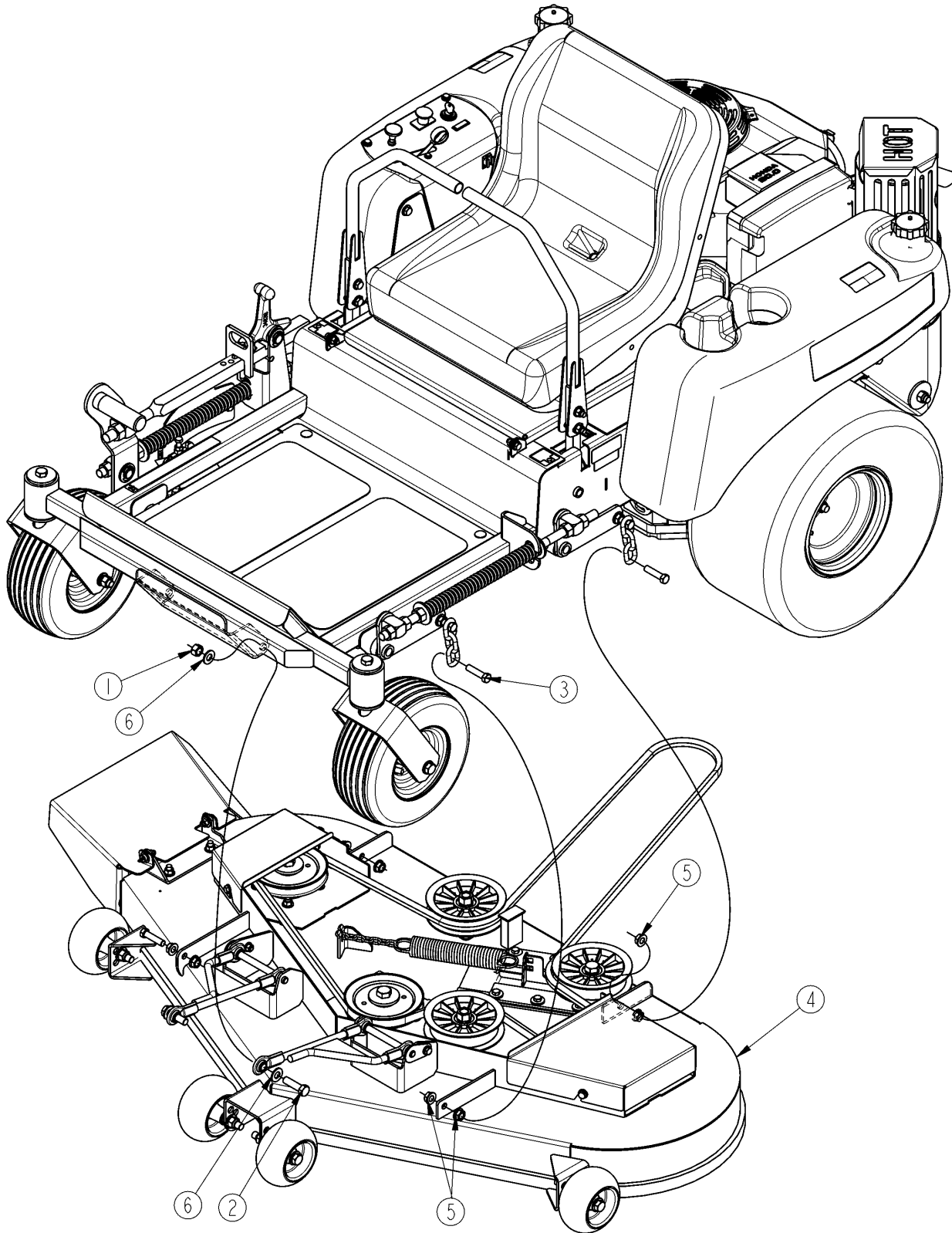
20729

Deck Pulleys and Belt Assembly**Applies to RAZOR ZR44 (S/N 472619-), RAZOR ZR52 (S/N 472619-)**

Ref	Part No.	Part Description	Comments	Revision
	dwg20729	Drawing Image Number		
1.	802-383C	HHCS 3/4-10X3 GR5		
2.	803-021C	NUT HEX 5/8-11 PLT		
3.	804-011C	WASHER FLAT 3/8 USS PLT		
4.	802-053C	HHCS 5/8-11X1 3/4 GR5		
5.	839-127C	WASHER FLAT .62X1.00X.134 ZN		
6.	802-159C	HHCS 5/16-18X1 GR5	(S/N 337098+)	Rev. 2 not compat. w/Rev. 1
6.	839-198C	CS .312-18 1.25LG FLT SH PLT	(S/N 337097-)	Rev. 1
7.	803-014C	NUT HEX 3/8-16 PLT		
8.	839-264C	SPRING CHAIN		
9.	804-084C	WASHER FLAT 5/16 HARD ASTM436	(S/N 337097+)	
10.	804-012C	WASHER FLAT 3/8 SAE PLT		
11.	839-065C	IDLER SPRING		
12.	802-050C	HHCS 5/8-11X1 1/4 GR5		
13.	839-164C	CUP WASHER .631X2.250X.187 PNT		
14.	356-088A	BLADE SPINDLE HOUSING ASMY ZR		
15.	839-285C	ZR SPINDLE CAST HOUSING		
16.	356-069D	BLADE SPINDLE SHAFT ZR		
17.	839-280C	SPACER, SPINDLE HUB		
18.	839-281C	RETAINING RING		
19.	839-268C	BEARING, BLADE SPINDLE		
20.	839-265C	DECK DRIVE PULLEY, STAR HUB		
21.	802-271C	HHCS 5/8-11X3 GR5 FTHD		
22.	839-267C	BLADE, 16X2.50WX.204T,.631DIA	ZR44	
22.	839-266C	BLADE, 18X2.50WX.204T,.631DIA	ZR52	
22.	839-269C	BLADE 16" MULCH CW .631DIA	ZR44	
22.	839-270C	BLADE 18" MULCH CW .631DIA	ZR52 Use only with Mulch Kit	
22.		(P/N 356-094A)		
23.	816-388C	B-SECTION BELT, DECK ZR44		
23.	816-386C	B-SECTION BELT, DECK ZR52		
24.	839-262C	IDLER PULLEY 5.00"OD, 5/8"ID		
25.	839-317C	CLAMP UHMW (IDLER KIT)	(S/N 337098+)	Rev. 2 not compat. w/Rev. 1
25.	839-197C	UHMW IDLER ARM PAD	(S/N 337097-)	Rev. 1
26.	356-087H	DECK IDLER WELDMENT		
27.	839-318C	BASE .03 THICK UHMW (IDLER KIT)	(S/N 337098+)	
28.	839-316C	RISER UHMW (IDLER KIT)	(S/N 337098+)	

Deck to Tractor Assembly

Applies to RAZOR ZR44 (S/N 472619-), RAZOR ZR52 (S/N 472619-)



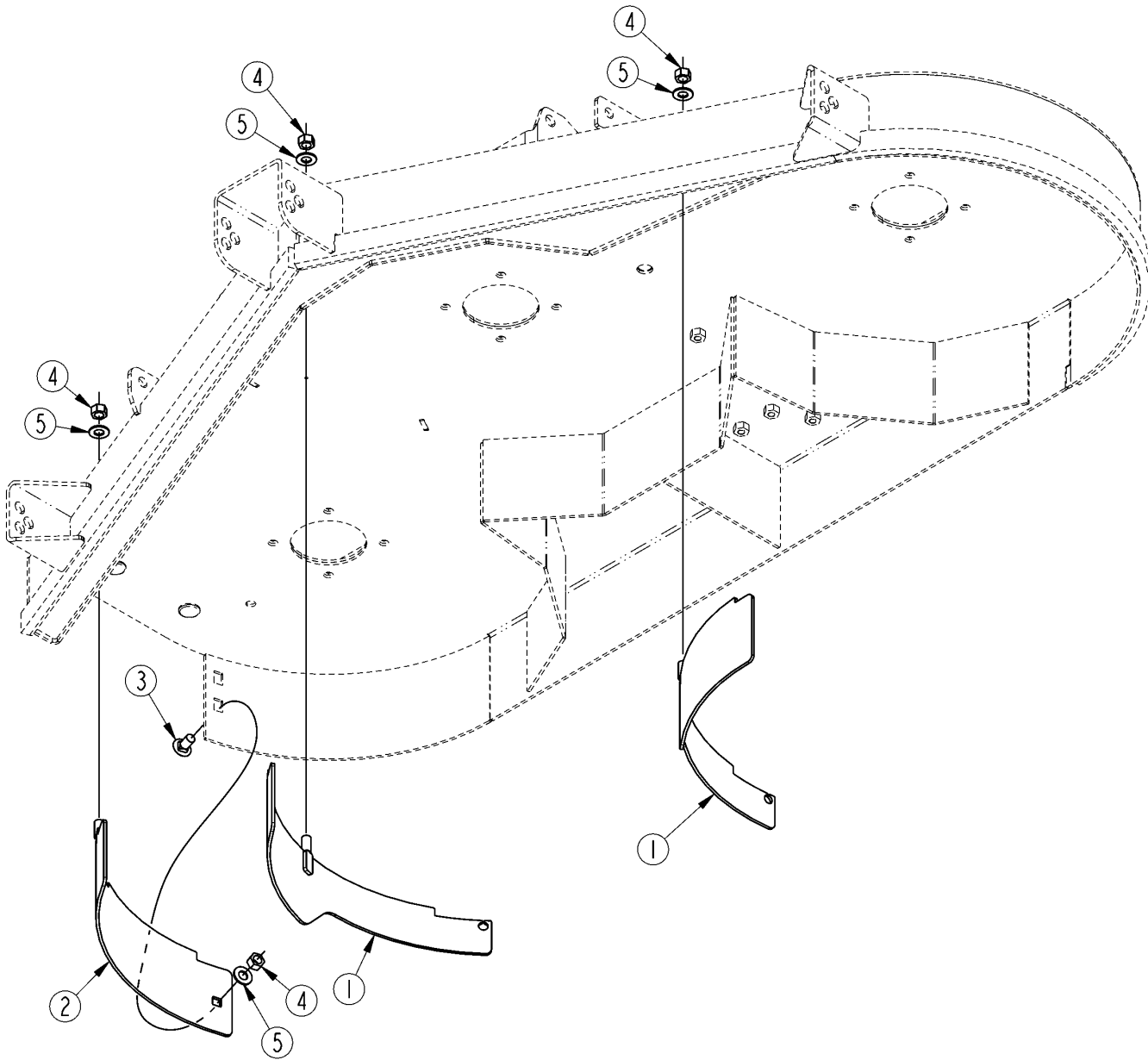
20730

Deck to Tractor Assembly**Applies to RAZOR ZR44 (S/N 472619-), RAZOR ZR52 (S/N 472619-)**

Ref	Part No.	Part Description	Comments	Revision
	dwg20730	Drawing Image Number		
1.	803-020C	NUT HEX 1/2-13 PLT		
2.	802-082C	HHCS 1/2-13X1 3/4 GR5		
3.	802-113C	HHCS 7/16-14X1 3/4 GR5		
4.	356-101A	COMPLETE ZR44 DECK ASSEMBLY		
4.	356-102A	COMPLETE ZR52 DECK ASSEMBLY		
5.	803-052C	NUT HEX WHIZ 7/16-14 PLT		
6.	804-016C	WASHER FLAT 1/2 SAE PLT		

Mulch Kits

Applies to RAZOR ZR44 (S/N 472619-), RAZOR ZR52 (S/N 472619-)



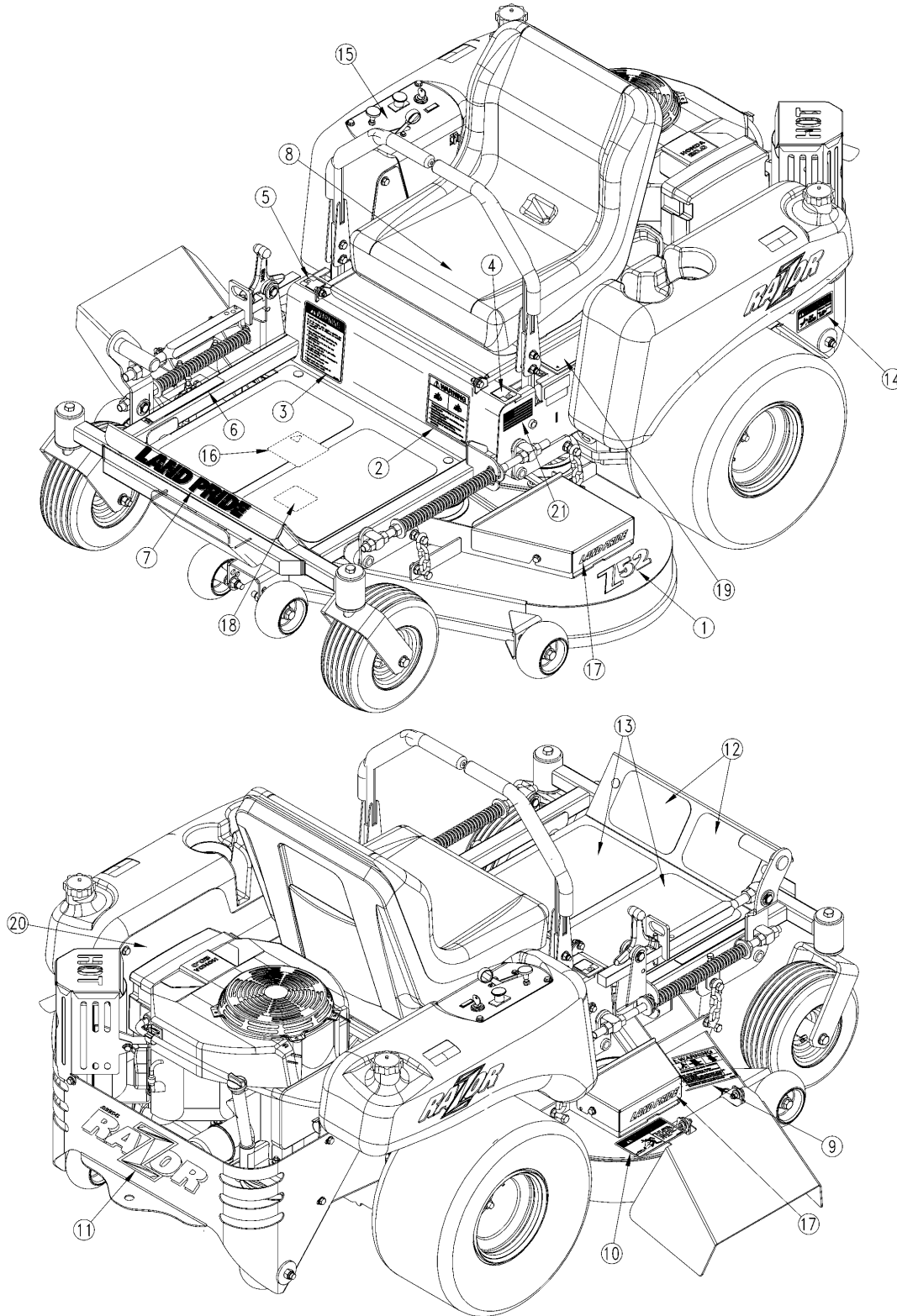
20731

Mulch Kits**Applies to RAZOR ZR44 (S/N 472619-), RAZOR ZR52 (S/N 472619-)**

Ref	Part No.	Part Description	Comments	Revision
	dwg20731	Drawing Image Number		
	356-093A	ZR44" MULCHING KIT		
	356-094A	ZR52" MULCHING KIT		
1.	356-092H	ZR44" MULCH COMMON BAFFLE		
1.	356-091H	ZR52" MULCH COMMON BAFFLE		
2.	356-090H	ZR44" MULCH BAFFLE		
2.	356-089H	ZR52" MULCH BAFFLE		
3.	802-149C	RHSNB 3/8-16X3/4 GR5		
4.	803-014C	NUT HEX 3/8-16 PLT		
5.	804-012C	WASHER FLAT 3/8 SAE PLT		

Label Placement

Applies to RAZOR ZR44 (S/N 472619-), RAZOR ZR52 (S/N 472619-)



20088

Label Placement**Applies to RAZOR ZR44 (S/N 472619-), RAZOR ZR52 (S/N 472619-)**

Ref	Part No.	Part Description	Comments	Revision
	dwg20088	Drawing Image Number		
1.	838-437C	DECAL ZR52		
1.	838-436C	DECAL ZR44		
2.	838-307C	DECAL MOVING PART HAZARD		
3.	838-310C	DECAL WARNING GEN SAFE MOWER		
4.	838-456C	DECAL STEERING LS RAZOR		
5.	838-455C	DECAL STEERING RS RAZOR		
6.	838-457C	DECAL DECK CUTTING HEIGHT RZR		
7.	838-439C	DECAL LAND PRIDE PURPLE		
8.	838-303C	DECAL DANGER BATTERY		
9.	838-308C	DECAL ROTATING BLADE HAZARD		
10.	838-306C	DECAL WARNING DO NOT OPERATE		
11.	838-440C	DECAL ACCU-Z RAZOR		
12.	839-192C	ZR UPPER STEP TREAD		
13.	839-191C	ZR LOWER SPEP TREAD		
14.	838-305C	DECAL STABILIZER BAR		
15.	838-438C	DECAL CONTROL/INSTRUMENT PANEL		
16.	838-328C	DECAL BELT ROUTING Z60		
17.	838-443C	DECAL LANDPRIDE BUCKSKIN SMALL		
18.	818-543C	DECAL DANGER PD GUARD MISS SML		
19.	838-325C	DECAL Z OPERATION		
20.	838-444C	DECAL DANGER HOT	(S/N _____-); Located on Optional Rear Hood #817-497C near Muffler without Muffler Guard	
21.	818-190C	DECAL FLAG		



Part Number Index

The Part Number Index is a numeric index of all part numbers included in this manual. The index shows what page(s) the part is used on.

Part Number	Page	Part Number	Page	Part Number	Page	Part Number	Page
107125P	9	70970	19	826-385C	25	839-164C	37
307129VN01	9	800-001C	13	826-386C	25	839-182C	25
307130VN51	9	800-112C	25, 29	826-387C	25	839-188C	9
356-006H	13	801-155C	15, 17	826-388C	25	839-191C	43
356-008H	13	802-004C	11	831-035C	29	839-192C	43
356-009H	13	802-005C	25	831-036C	25	839-193C	11, 25
356-048D	7	802-007C	7, 9, 11, 35	831-037C	25	839-194C	11, 25
356-056H	25	802-012C	25	831-038C	25	839-195C	13
356-057H	25	802-013C	19	831-041C	21	839-196C	13
356-058D	9	802-014C	25, 29	838-303C	43	839-197C	37
356-059D	11	802-023C	15, 17	838-305C	43	839-198C	37
356-060D	15, 17	802-034C	33	838-306C	43	839-207C	15, 17
356-061D	15	802-050C	37	838-307C	43	839-208C	15, 17
356-062D	17	802-053C	19, 37	838-308C	43	839-209C	15
356-063D	35	802-082C	39	838-310C	43	839-210C	17
356-063H	19	802-113C	39	838-325C	43	839-211C	15, 17
356-064D	35	802-131C	19	838-328C	43	839-212C	15, 17
356-065D	35	802-149C	9, 41	838-436C	43	839-213C	15, 17
356-066D	35	802-159C	15, 17, 37	838-437C	43	839-214C	15, 17
356-067D	35	802-271C	37	838-438C	43	839-215C	15, 17
356-067H	9	802-301C	23	838-439C	43	839-216C	15, 17
356-068D	35	802-311C	7, 35	838-440C	43	839-217C	19
356-068H	9	802-323C	33	838-443C	43	839-218C	19
356-069D	37	802-383C	37	838-444C	43	839-219C	19
356-069H	19	803-006C	11, 25	838-455C	43	839-220C	19
356-070D	9	803-008C	9, 11, 13, 15, 17, 19, 35	838-456C	43	839-221C	19, 21
356-072H	15, 17			838-457C	43	839-222C	19, 21
356-073H	15, 17	803-014C	9, 35, 37, 41	839-003C	29	839-223C	19, 21
356-074H	15, 17	803-020C	39	839-005C	29	839-224C	19, 21
356-075H	15, 17	803-021C	13, 37	839-008C	7, 35	839-225C	19, 21
356-076H	15, 17	803-025C	19	839-011C	23	839-226C	19, 21
356-077H	15	803-027C	13	839-012C	23	839-227C	25
356-078H	17	803-036C	7, 35	839-013C	31	839-228C	25
356-079H	17	803-052C	13, 39	839-018C	11	839-229C	25
356-080H	19	803-078C	15, 17	839-022C	29	839-230C	23
356-081H	19	803-084C	9, 11, 35	839-023C	29	839-231C	25
356-082H	19	803-147C	7, 35	839-027C	23	839-232C	25
356-083H	33	803-243C	15, 17	839-042C	25	839-233C	25
356-085H	35	803-268C	15, 17, 23	839-043C	11	839-234C	25
356-086H	35	803-270C	15, 17	839-044C	23	839-235C	25
356-087H	37	803-298C	19, 21	839-058C	13	839-236C	25
356-088A	37	804-006C	25	839-059C	19	839-237C	29
356-089H	41	804-007C	25	839-060C	13	839-238C	29
356-090H	41	804-009C	25	839-062C	15, 17	839-239C	29
356-091H	41	804-011C	37	839-063C	15, 17	839-240C	29
356-092H	41	804-012C	9, 15, 17, 29, 35, 37, 41	839-065C	19, 37	839-241C	29
356-093A	41			839-067C	13	839-242C	29
356-094A	41	804-013C	25	839-069C	23	839-243C	23
356-095S	13	804-015C	33	839-072C	9	839-244C	23
356-098S	13	804-016C	7, 13, 33, 35, 39	839-079C	15, 17	839-245C	23
356-099H	19	804-019C	13	839-108C	13	839-246C	33
356-101A	39	804-025C	13	839-113C	13	839-247C	33
356-102A	39	804-036C	7, 9, 11, 15, 17, 19, 35	839-117C	13	839-248C	33
356-108A	25			839-120C	35	839-249C	33
356-109M	25	804-046C	23	839-122C	25	839-250C	33
356-116H	7	804-084C	19, 37	839-123C	13	839-251C	33
356-119A	9	804-191C	19, 21	839-125C	13	839-252C	33
356-137S	29	805-019C	15, 17	839-126C	19	839-253C	33
356-548S	19	805-307C	19	839-127C	19, 37	839-254C	31
356-549S	19	814-317C	33	839-128C	11	839-255C	31
356-552A	21	816-088C	31	839-129C	25	839-256C	31
357-002D	13	816-386C	37	839-131C	7, 33	839-257C	31
357-003H	35	816-387C	19	839-133C	23	839-258C	31
357-007H	15	816-388C	37	839-134C	25	839-259C	31
357-008H	17	817-192C	25	839-135C	11	839-260C	35
357-080S	35	817-497C	25	839-136C	25	839-261C	35
50863	21	817-518C	25	839-140C	15, 17	839-262C	37
70109	21	817-596C	29	839-148C	9	839-264C	37
70110	21	818-190C	43	839-150C	13	839-265C	37
70314	19, 21	818-543C	43	839-160C	29	839-266C	37



Part Number Index (continued)

<u>Part Number</u>	<u>Page</u>
839-267C	37
839-268C	37
839-269C	37
839-270C	37
839-271C	9
839-274C	23
839-279C	25
839-280C	37
839-281C	37
839-284C	9
839-285C	37
839-306C	25
839-316C	37
839-317C	37
839-318C	37
839-320C	9
839-378C	25
839-379C	25
839-380C	25
839-394C	23
890-965C	21
dwg20088	43
dwg20714	9
dwg20715	19
dwg20716	11
dwg20717	13
dwg20718	15
dwg20719	17
dwg20720	7
dwg20721	25
dwg20722	29
dwg20723	23
dwg20724	33
dwg20725	31
dwg20728	35
dwg20729	37
dwg20730	39
dwg20731	41
dwg23931	21
N/A	11



Great Plains Manufacturing, Inc.

Corporate Office: P.O. Box 5060
Salina, Kansas 67402-5060 USA

www.landpride.com
