

**owner's
manual**



E740v

preamp equalizer

E750s

**preamp equalizer
with subwoofer crossover**

E540p

**parametric equalizer
with subwoofer crossover**

Thank you for choosing Lanzar Audio, and congratulations on joining a select group of dedicated enthusiasts committed to the very best in mobile sound performance and dependability.

You are now the proud owner of one of the world's most sophisticated electronics components. This Lanzar product is the result of an extensive engineering program with the sole purpose of creating the finest mobile audio experience imaginable. We're confident that this product will provide you with many years of outstanding musical entertainment.

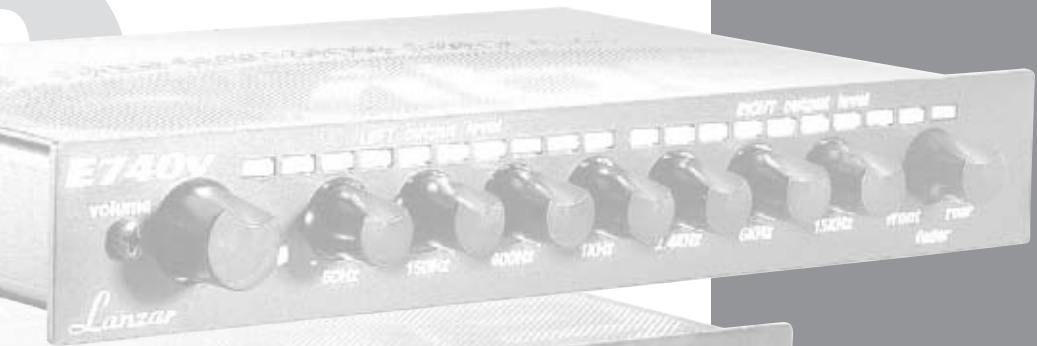


owner's manual

E740v
E750s
E540p

signal processors

50s



Congratulations	
E740v Features and Specifications	2
E740v Controls and Operation	4
E750s Features and Specifications	6
E750s Controls and Operation	8
E540p Features and Specifications	10
E540p Controls and Operation	12
Installation	14
Wiring Directions	15
System Diagrams	16
Troubleshooting and Precautions	20
Limited Warranty	21

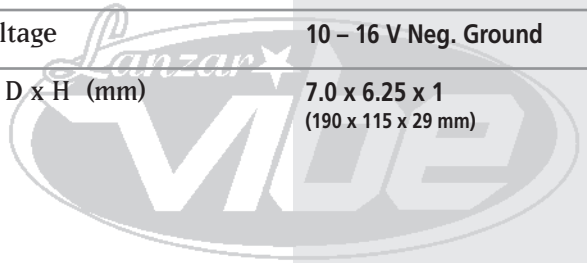


features
E740v
preamp equalizer

- 7 Band Graphic Equalizer
- Pre-Amp Input via RCA Jacks
- Output Level Control
- LED Power Level Meter
- 12 dB Boost/Cut
- Rotary Band Control
- Rotary Fader
- 4-Channel RCA Outputs
- Fully Isolated DC-to-DC Power Supply
- Remote Power On/Off
- Half-DIN Size Cabinet



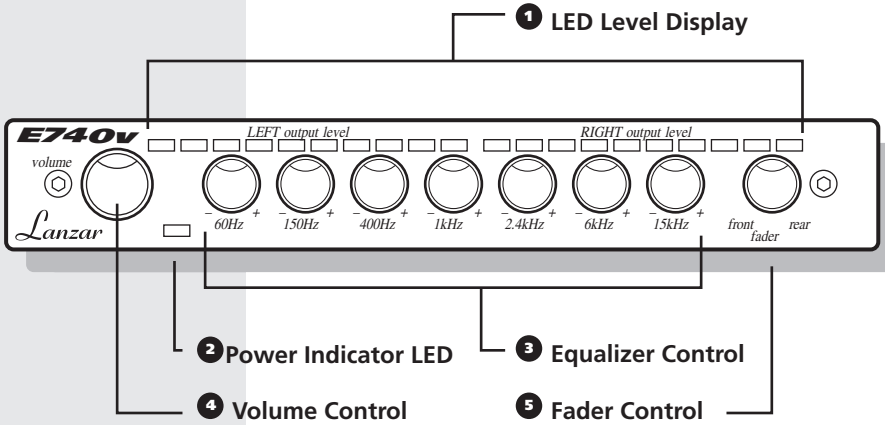
Center Frequencies	60 Hz • 150 Hz 400 Hz • 1 kHz 2.4 kHz • 6 Hz 15 kHz
Frequency Response	15 Hz – 20 kHz (at +/- 3 dB, 400 mv)
Input Level (for 400 mV Output)	400 mV
Total Harmonic Distortion (THD) (at 400 mV Output)	< 0.025%
Output Impedance	1.2 k-Ohm
Signal-to-Noise Ratio (S/N)	90 dB
Separation	60 dB
Current Drain	250 mA Maximum
Power Supply Voltage	10 – 16 V Neg. Ground
Dimensions, W x D x H (mm)	7.0 x 6.25 x 1 (190 x 115 x 29 mm)



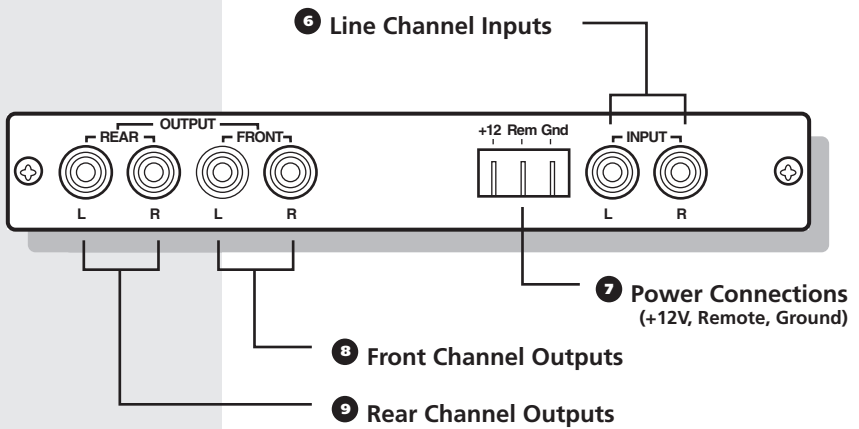
controls E740v

preamp equalizer

Front panel



Rear panel



owner's manual **operation**

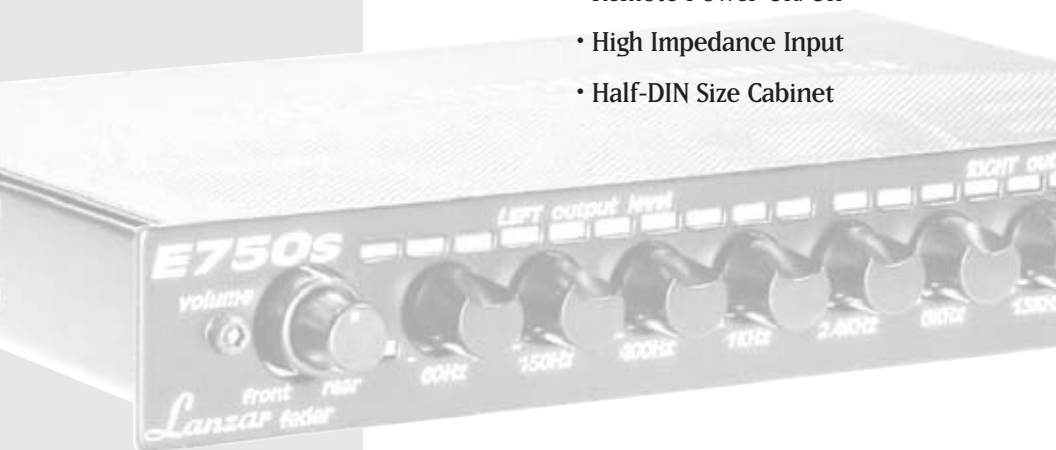
E740v

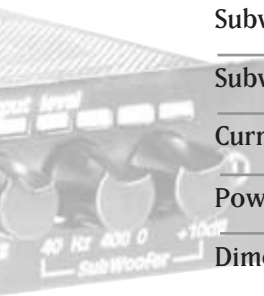
preamp equalizer

Control/Connector	Function
❶ LED Level Display	These rows of LEDs display the Preamp Output Level. Left and right channels are displayed independently at peak levels.
❷ Power Indicator LED	This LED is illuminated when the unit is properly powered, grounded and the remote power has been turned on.
❸ Equalizer Controls	This seven-band equalizer's rotary controls give you control over musical frequency ranges.
❹ Volume Control	Allows adjustment of sound level for particular program material or source.
❺ Fader Control	<ul style="list-style-type: none">• In a 2 Amplifier, 4 Speaker system, rotating the knob to the FRONT side increases the level of the front speakers; rotating to the REAR side increase level of the rear speakers. At mid position, both sets of speakers are at maximum level• In a 2 Speaker system, the fader control should be rotated to the position which provides highest levels for both sets of speakers.
❻ Line Channel Inputs	RCA cables are used to connect the front input signal from head unit or other source.
❼ Power Connection	Connect to power source as follows: +12: Connect a red wire of at least 12 gauge to the car battery or other power source. GROUND: Connect a black wire of at least 12 gauge to car chassis for ground connection REMOTE: Connect an orange wire to remote activating (12V DC) wire of car stereo or other head unit.
❽ Front Channel Outputs	RCA cables are used to connect the front channel outputs to the front channel amplifier inputs.
❾ Rear Channel Outputs	RCA cables are used to connect the rear channel outputs to the rear channel amplifier inputs.

features
E750s
equalizer with
subwoofer crossover

- 7 Band Graphic Equalizer
- Pre-Amp Input via RCA Jacks
- Output Level Control
- LED Power Level Meter
- 12 dB Boost/Cut
- Subwoofer Frequency Control
- Subwoofer Boost Control
- Front and Rear Fader Control
- 6-Channel RCA Outputs
- Night Illumination
- Remote Power On/Off
- High Impedance Input
- Half-DIN Size Cabinet





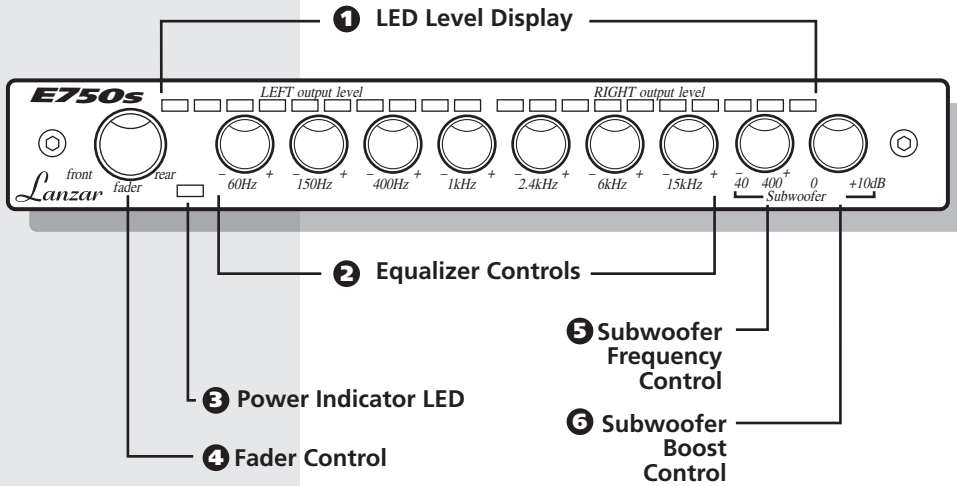
Center Frequencies	60 Hz • 150 Hz 400 Hz • 1 kHz 2.4 kHz • 6 Hz 15 kHz
Frequency Response	20 Hz – 20 kHz (at +/- 3 dB, 400 mv)
Input Level (for 400 mV Output)	400 mV
Total Harmonic Distortion (THD) (at 400 mV Output)	< 0.025%
Output Impedance	1.2 k-Ohm
Signal-to-Noise Ratio (S/N)	85 dB
Separation	60 dB
Subwoofer Frequency	40-400Hz
Subwoofer Boost Control	0-10 dB
Current Drain	250 mA Maximum
Power Supply Voltage	10 – 16 V Neg. Ground
Dimensions, W x D x H (mm)	7.0 x 6.25 x 1 (190 x 115 x 29 mm)

controls

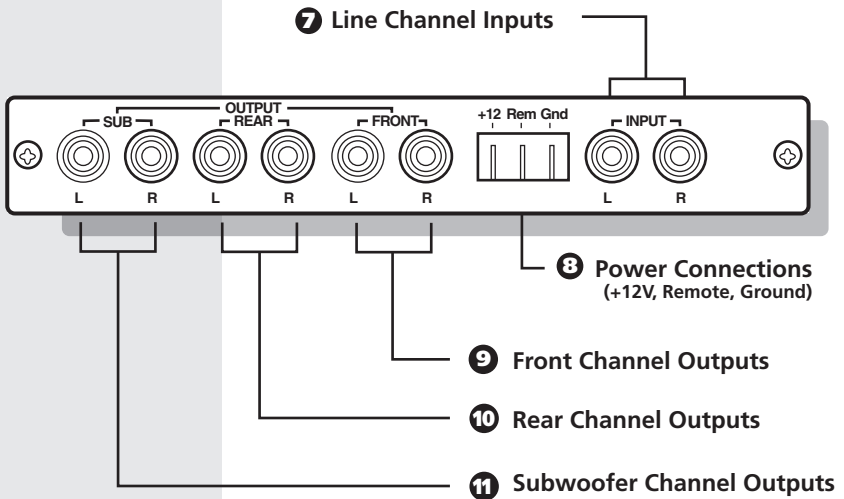
E750s

equalizer with
subwoofer crossover

Front panel



Rear panel



Control/Connector	Function
1 LED Level Display	These rows of LEDs display the Preamp Output Level. Left and right channels are displayed independently at peak levels.
2 Equalizer Controls	This seven-band equalizer's rotary controls give you control over musical frequency ranges.
3 Power Indicator LED	This LED is illuminated when the unit is properly powered, grounded and the remote power has been turned on.
4 Fader Control	<ul style="list-style-type: none"> • In a 2 Amplifier, 4 Speaker system, rotating the knob to the FRONT side increases the level of the front speakers; rotating to the REAR side increase level of the rear speakers. At mid position, both sets of speakers are at maximum level. • In a 2 Speaker system, the fader control should be rotated to the position which provides highest levels for both sets of speakers.
5 Subwoofer Frequency Control	Lets you adjust the subwoofer frequency and crossover point from 40-400 Hz.
6 Subwoofer Boost Control	Lets you adjust the subwoofer boost level from a 0 to +10dB increase.
7 Line Channel Inputs	RCA cables are used to connect the front input signal from head unit or other source.
8 Power Connection	<p>Connect to power source as follows:</p> <p>+12: Connect a red wire of at least 12 gauge to the car battery or other power source.</p> <p>GROUND: Connect a black wire of at least 12 gauge to car chassis for ground connection</p> <p>REMOTE: Connect an orange wire to remote activating (12V DC) wire of car stereo or other head unit.</p>
9 Front, 10 Rear & 11 Subwoofer Outputs	RCA cables are used to connect the front channel outputs to the front channel amplifier inputs, the rear channel outputs to the rear channel amplifier inputs, and the sub outputs to the subwoofer amplifier inputs.

features
E540p
parametric equalizer

- 5 Band Graphic Equalizer
- 5 Band Parametric Control
- 20 Frequency Band Selector
- Adjustable Subwoofer Crossover
- Pre-amp Line & Aux Inputs via RCA Jacks
- Output Volume Control
- Input Gain Adjustments
- Frequency Gain Control
- Rotary Fader
- Rotary Band Control
- Defeat Switch
- 6-Channel RCA Outputs
- Fully Isolated DC-to-DC Power Supply
- Remote Power On/Off



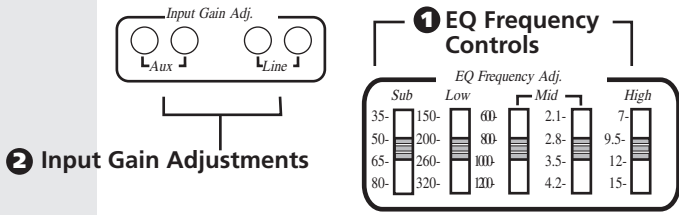
Sub Band Parametric Range	35 • 50 • 65 • 80 Hz
Low Band Parametric Range	150 • 200 • 260 • 320 Hz
Mid Band Parametric Range	600 • 800 • 1000 • 1200 Hz
High Band Parametric Range	2.1 • 2.8 • 3.5 • 4.2 KHz 7 • 9.5 • 12 • 15 KHz
Frequency Response	20 Hz – 20 kHz (at +/- 3 dB, 400 mv)
Input Level (for 400 mV Output)	400 mV
Total Harmonic Distortion (THD) (at 400 mV Output)	< 0.025%
Output Impedance	1.2 k-Ohm
Signal-to-Noise Ratio (S/N)	85 dB
Separation	60 dB
Subwoofer Frequency	Variable from 40-400Hz
Control Range	± 12dB
Current Drain	.5 A Maximum
Power Supply Voltage	DC, 10 – 16 V Neg. Ground
Dimensions, W x D x H (mm)	7.0 x 6.25 x 1 (190 x 115 x 29 mm)

controls

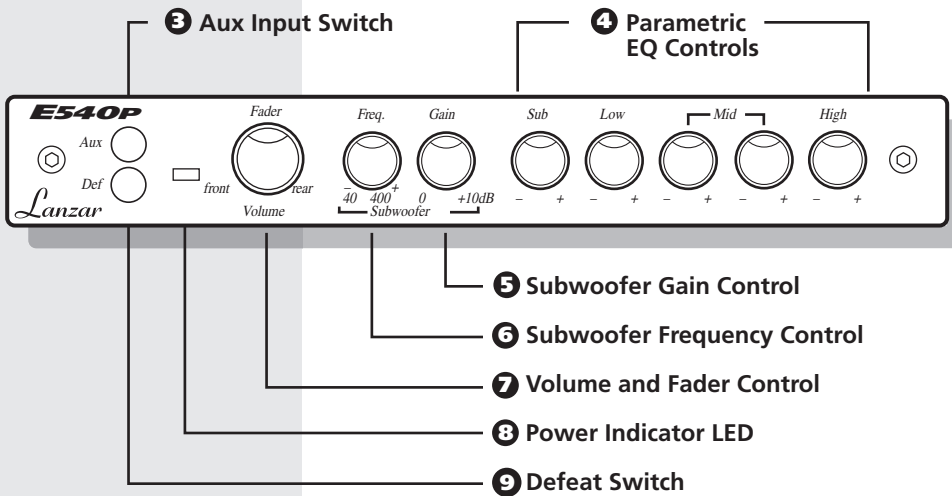
E540p

parametric equalizer

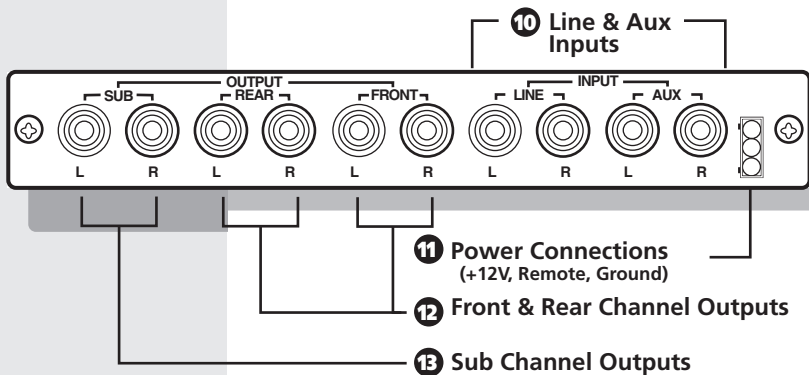
Top panel



Front panel



Rear panel



owner's manual operation

E540p

parametric equalizer

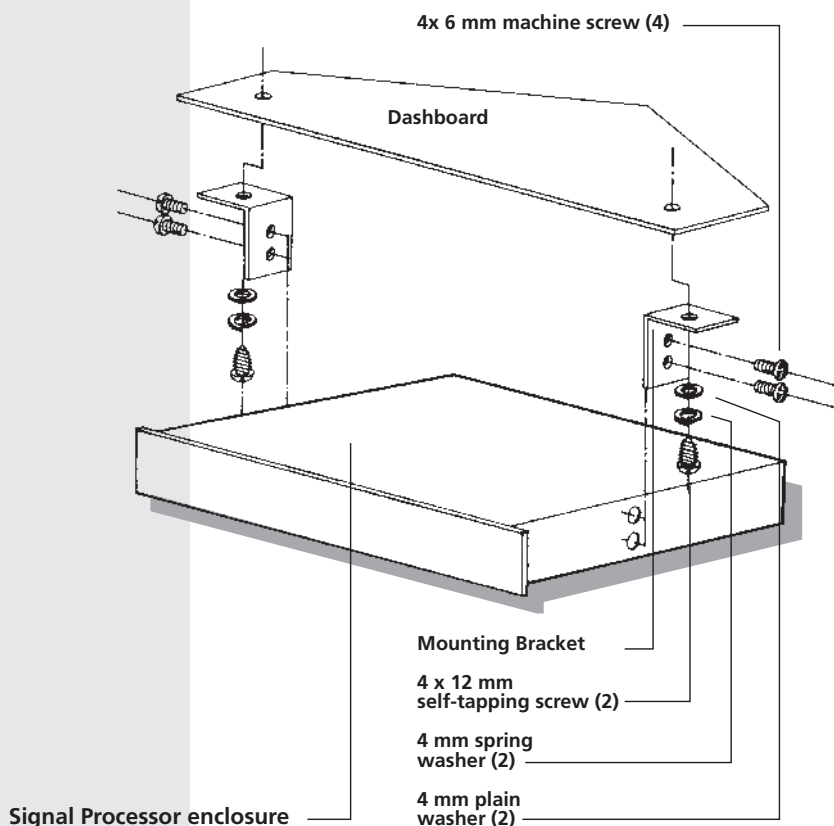
Control/Connector	Function
1 EQ Frequency Controls	These switches determine the frequencies the gain knobs on the front panel will affect. Setting a switch on one of the 5 bands on top of the equalizer permits the corresponding control on the front panel to raise or lower the gain at that frequency.
2 Input Gain Adjustments	Allows you to adjust the left and right channel input sensitivity to match the output level from your line or auxiliary source.
3 Aux Input Switch	This switch selects the aux or line inputs.
4 Parametric EQ Controls	Turning the controls clockwise increases the level of the sound at the frequency that you have set on the EQ's top panel. Counter-clockwise reduces the level at that frequency. Choose the settings which best match your system and your preferred audio response.
5 Subwoofer Gain Control	Turning this control clockwise increases the subwoofer channel level.
6 Subwoofer Frequency Control	By rotating this selector you can choose any crossover frequency from 40Hz to 400Hz. Turning the control clockwise permits more upper bass to travel through the sub channel.
7 Volume and Fader Control	The Volume adjusts the total output level. Fader adjusts the output balance between the front and rear amplifiers.
8 Power Indicator LED	This indicator lights up when the unit is properly powered, grounded, and the remote power lead has power to it.
9 Defeat Switch	When the "DEF" switch is in the on position the equalizer functions are bypassed. Depressing the "DEF" switch again will restore the equalizer's operation.
10 Line and Auxiliary Inputs	RCA cables are used to connect your car stereo head unit, CD player, or other source to either the line or aux inputs.
11 Power Connections (+12V, Remote, Ground)	<ol style="list-style-type: none">1. Connect the red wire to the car battery or other power source.2. Connect the orange wire to the power antenna activating wire of the car stereo.3. Connect the black wire to the car's chassis for the proper ground connection.
12 Front, Rear &	
13 Subwoofer Outputs	RCA cables are used to connect the front channel outputs to the front channel amplifier inputs, the rear channel outputs to the rear channel amplifier inputs, and the sub outputs to the subwoofer amplifier inputs.

installation

E740v E750s E540p

Installing your signal processor under the dash of your car

Please take the time to install your new Lanzar Signal Processor securely, according to this diagram, using the hardware provided.



This Half-DIN size unit can also be installed in the dash adjacent to the head unit, provided that there is a slot available.

Connect 12V DC from a constant battery source to a +12V slip-on spade terminal and install a one (1) amp fuse in line.

Connect the signal processor's GROUND to a good chassis ground, near where the unit is mounted, or to the case of the head unit.

Connect the signal processor's REMOTE TURN-ON lead to the remote turn-on lead out of the head unit, and install a 1/2 amp fuse in line. (A relay should be used if turning on more than one component, such as EQ's, crossovers or amplifiers.)

Connect stereo RCA cables from the head's left and right front outputs to the left and right inputs of the signal processor.

Connect stereo RCA cables from the left and right outputs, (and low, mid and high outputs if applicable), of the signal processor to the left and right inputs of your amplifier(s) or additional signal processor(s).

Turn the unit on, and adjust the input gain on the signal processor to match the output of the head unit (1/2, or at center position, is about 1 V). Be careful not to overdrive the input of your amplifier(s) or signal processor(s). Use clip detectors to adjust output.

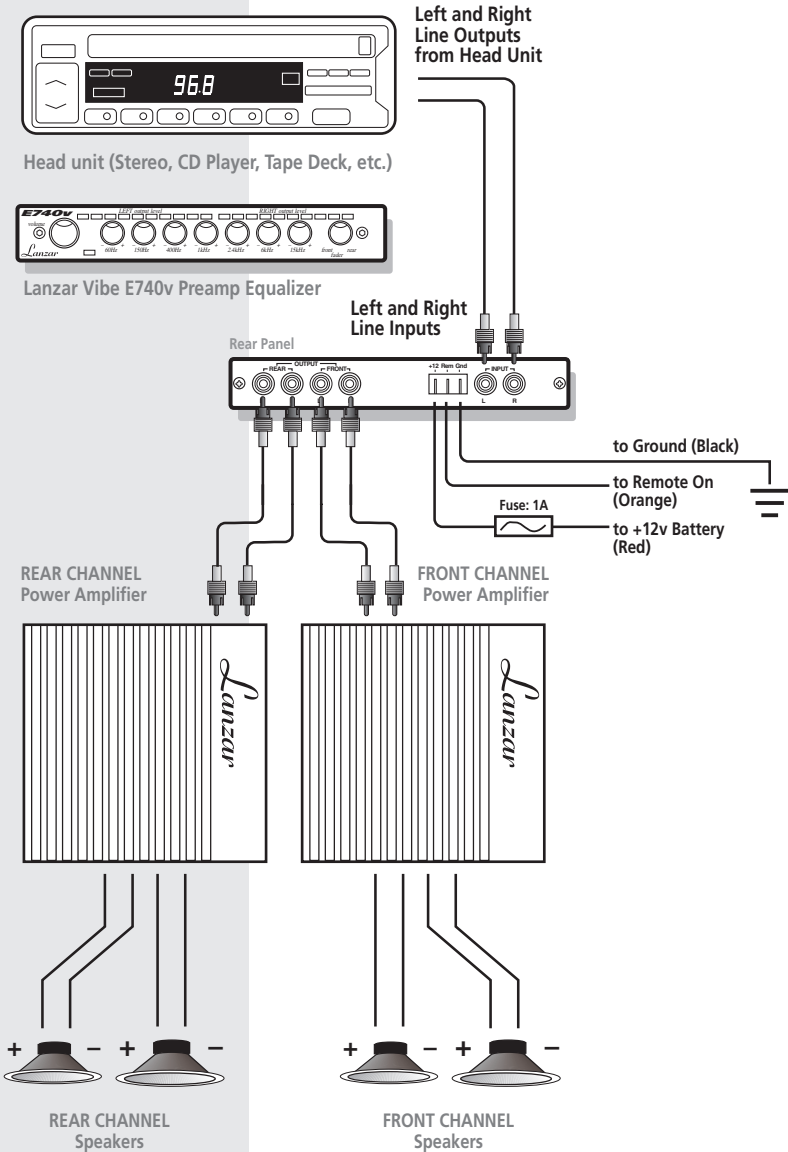
Adjust each of the crossover or equalizer controls to achieve the desired sound characteristics.



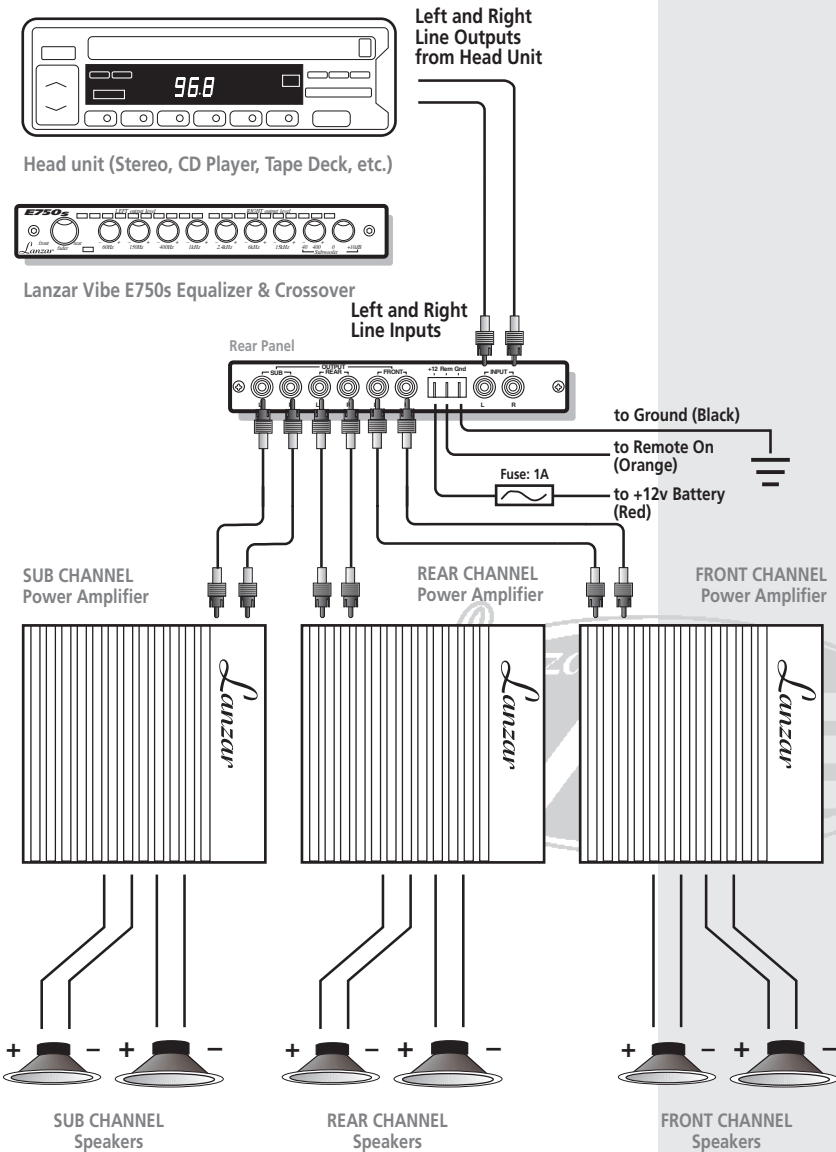
E740v

preamp equalizer

Basic 2-Amp/4-Speaker system application using the E740v



4-Speaker and subwoofer system application using the E750s

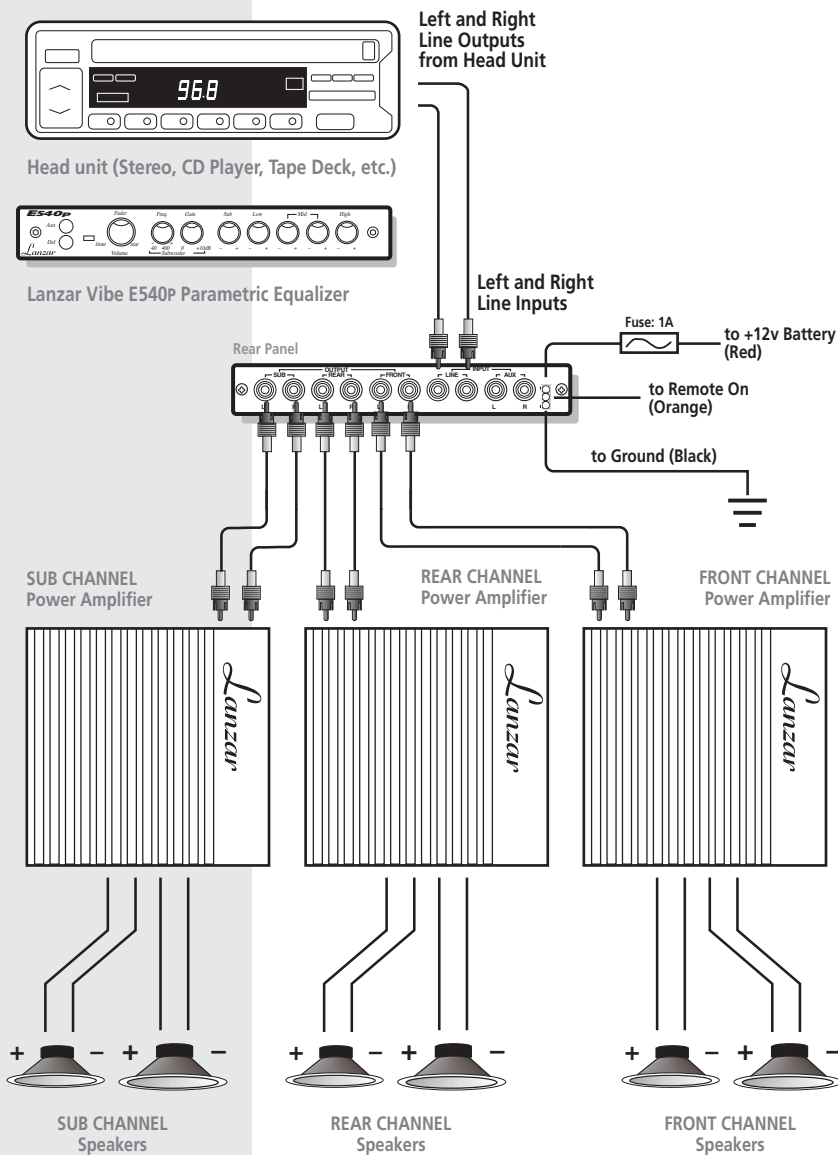


system diagram

E540p

parametric equalizer

4-Speaker and subwoofer system application using the E540P



E740v
E750s
E540p
signal processors

If you experience....

Check that:

Signal Processor does not turn on.

- Remote Turn-On wire has 12V
- 12V wire has 12V
- Ground wire is properly connected

Level of sound is low.

- Wiring is not loose or cables misconnected/disconnected
- RCA cables are not faulty.

Background noise is too high.

- Wiring is not loose or cables misconnected/disconnected
- RCA cables are not faulty.

precautions

Enjoy your system, but use it wisely and safely!

- Never drive with the volume raised so high you cannot hear what is occurring in traffic around you.
- Be aware that repeated exposure to excessive volume levels can permanently damage your hearing!
- Keep all electronics away from moisture, dust, extreme heat or extreme vibrations.
- Lanzar Audio products are capable of sound pressure levels in excess of 150 dB. Continuous exposure to sound pressure levels over 100 dB may cause permanent loss of hearing. Use common sense and PRACTICE SAFE SOUND.



Lanzar
CAR AUDIO

**Quality
Technology
Performance**

Limited Warranty Policy

All Lanzar Signal Processors are carefully constructed and thoroughly tested before shipment. Units purchased in the USA are warranted to be free of defects in material and workmanship for three (3) years from the date of purchase. This warranty is limited to the original retail purchaser of the Signal Processor.

Should the unit fail due to a factory defect in material or workmanship, your unit will be repaired or replaced at the sole discretion of Lanzar.

To obtain warranty service, you must first call our Consumer Return Hotline number at (718) 236-6948 to obtain a Return Authorization (RA) number. This RA Number must appear on the outside of your package and on all paperwork relating to your return.

When returning the unit to us for warranty service, it must be carefully packed and shipped prepaid to:

R.A. # _____
Lanzar Service Center
1600 63rd Street
Brooklyn, NY 11204

You must also include the following items with your return:

- A copy of your sales receipt or other proof of purchase
- A brief letter indicating the problem you are experiencing with the product
- Include in your letter your return address, daytime phone number and RA Number
- Also include a check or money order for \$15.00 for return shipping, handling and insurance, or provide your VISA/MasterCard number with expiration date.

Our obligation under this warranty is limited to the repair or replacement of the defective unit when it is returned to us prepaid. This warranty will be considered void if the unit was tampered with, improperly serviced, or subject to misuse, neglect or accidental damage.

All implied warranties of merchantability and fitness for a particular purpose are limited in duration to the length of the warranty. Lanzar expressly disclaims any liability for incidental or consequential damages caused by product defects. This warranty does not cover any expense incurred in the removal and/or reinstallation of the Signal Processor. Lanzar's total liability will not exceed the purchase price of the Signal Processor.

Some states do not allow the exclusion or limitation of incidental or consequential damages, or limitations on how long an implied warranty lasts, so the above limitations and exclusions may not apply to you. This warranty gives you specific legal rights, and you may also have other rights which vary from state to state.

Lanzar Audio Inc.
1600 63rd Street, Brooklyn, NY 11204 (718) 236-6948