

**JENSEN**<sup>®</sup>  
audio

**JCR-535W**  
**WEATHER ALERT/AM/FM**  
**STEREO DUAL ALARM CD CLOCK RADIO**

## INSTRUCTION MANUAL



PLEASE READ THIS OPERATING MANUAL COMPLETELY BEFORE OPERATING THIS UNIT AND RETAIN THIS BOOKLET FOR FUTURE REFERENCE.

### WARNING

TO PREVENT FIRE OR SHOCK HAZARD, DO NOT USE THIS PLUG WITH AN EXTENSION CORD, RECEPTACLE OR OTHER OUTLET UNLESS THE BLADES CAN BE FULLY INSERTED TO PREVENT BLADE EXPOSURE. TO PREVENT FIRE OR SHOCK HAZARD, DO NOT EXPOSE THIS APPLIANCE TO RAIN OR MOISTURE.



The lightning flash with arrowhead symbol, within an equilateral triangle is intended to alert the user to the presence of uninsulated dangerous voltage within the products enclosure that may be of sufficient magnitude to constitute a risk of electric shock to persons.

### CAUTION

**RISK OF ELECTRIC SHOCK  
DO NOT OPEN**

WARNING: TO REDUCE THE RISK OF ELECTRIC SHOCK DO NOT REMOVE COVER (OR BACK), NO USER SERVICEABLE PARTS INSIDE REFER SERVICING TO QUALIFIED SERVICE PERSONNEL.



The exclamation point within an equilateral triangle is intended to alert the user to the presence of important operating and maintenance (servicing) instructions in the literature accompanying the appliance.

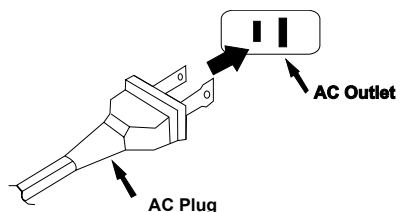
The Caution Marking is located at the bottom of the unit.

## IMPORTANT SAFETY INSTRUCTIONS

1. Read these instructions.
2. Keep these instructions.
3. Heed all warnings.
4. Follow all instructions.
5. Do not use this apparatus near water.
6. Cleaning-Unplug this product from the wall outlet before cleaning, Do not use liquid cleaners or aerosol cleaners. Use a dry cloth for cleaning.
7. Do not block any ventilation openings. Install in accordance with the manufacturer's instructions.
8. Do not place this product on an unstable cart, stand, tripod, bracket, or table. The product may fall, causing serious injury to a child or adult, and serious damage to the product. Use only with a cart, stand, tripod, bracket, or table recommended by the manufacturer, or sold with the product. Any mounting of the product should follow the manufacturer's instructions, and should use a mounting accessory recommended by the manufacturer. A Product and Cart Combination Should Be Moved with Care - Quick stops, excessive force and uneven surfaces may cause the product and cart combination to overturn.
9. Do not install near any heat sources such as radiators, heat registers, stoves, or other apparatus(Including amplifiers) that produce heat.
10. Do not defeat the safety purpose of the polarized or grounding-type plug. A polarized plug has two blades with one wider than the other. A grounding type plug has two blades and a third grounding prong. The wide blade or the third prong is provided for your safety. If the provided plug does not fit into your outlet, consult an electrician for replacement of the obsolete outlet.
11. Protect the power cord from being walked on or pinched particularly at plugs, convenience receptacles, and the point where they exit from the apparatus.
12. Only use attachments/accessories specified by the manufacturer.
13. Unplug this apparatus during lightning storms or when unused for long periods of time.
14. Refer all servicing to qualified service personnel. Servicing is required when the apparatus has been damaged in any way, such as power-supply cord or plug is damaged, liquid has been spilled or objects have fallen into the apparatus, the apparatus has been exposed to rain or moisture, does not operate normally, or has been dropped.
15. This appliance shall not be exposed to dripping or splashing water and that no object filled with liquids such as vases shall be placed on the apparatus.
16. Do not overload wall outlet. Use only power source as indicated.
17. Use replacement part as specified by the manufacturer.
18. The product may be mounted to a wall only if recommended by the manufacturer.
19. Upon completion of any service or repairs to this product, ask the service technician to perform safety checks.



**CAUTION:**  
**TO PREVENT ELECTRIC SHOCK,**  
**MATCH WIDE BLADE OF PLUG TO WIDE**  
**SLOT.**  
**FULLY INSERT.**



**CLASS 1 LASER PRODUCT**

CLASS 1 LASER PRODUCT  
 APPAREIL LASER DE CLASSE 1  
 PRODUCTO LASER DE CLASE 1

**CAUTION**  
**INVISIBLE LASER RADIATION**  
**WHEN OPEN AND INTERLOCKS**  
**DEFEATED.**  
**AVOID EXPOSURE TO BEAM**



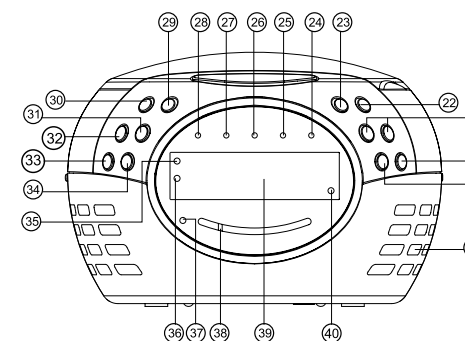
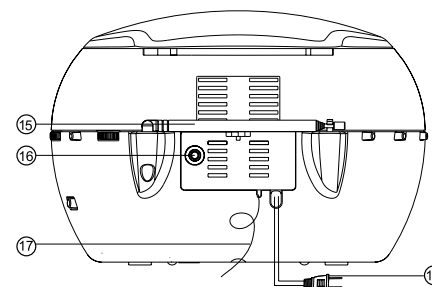
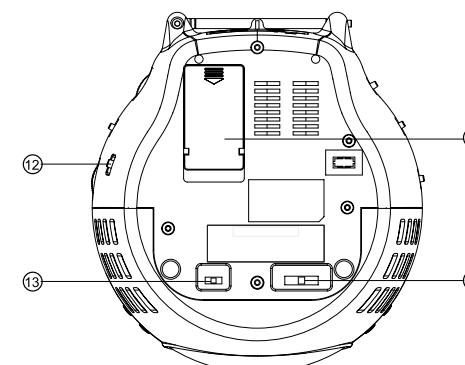
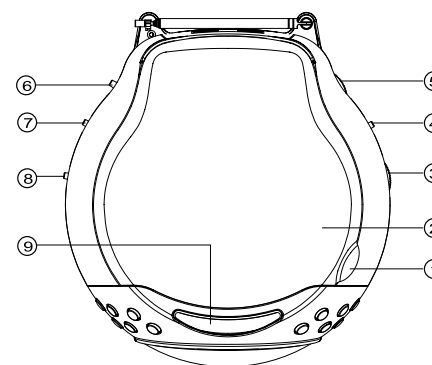
This product contains a low power laser device.

Follow the advice below for safe operations.

**ON PROTECTION AGAINST LASER ENERGY EXPOSURE**

- As the laser beam used in this compact disc player is harmful to the eyes, do not attempt to disassemble the casing.
- Stop operation immediately if any liquid or solid object should fall into the cabinet.
- Do not touch the lens or poke at it. If you do, you may damage the lens and the player may not operate properly.
- Do not put anything in the safety slot. If you do, the laser diode will be ON when the CD door is still open.
- If the unit is not to be used for a long period of time, make sure that all power sources are disconnected from the unit. Remove all batteries from the battery compartment.
- This unit employs a laser. The use of controls or adjustment or performance of procedures other than those specified here may result in exposure to hazardous radiation.

Should any trouble occur, remove the power source and refer servicing to qualified personnel.



**LOCATION OF CONTROLS**

- 1.CD door open
- 2.CD compartment
- 3.Tuning knob : To select your radio station
- 4.Band switch AM – FM – FM ST.
- 5.Volume control
- 6.Alarm Mode : Off – Buzzer – Auto
- 7.Alarm Selector : AL 1 – AL 1+2 – AL 2
- 8.Function Selector : CD – Radio
- 9.SNOOZE : Interval alarm repetition
- 10.Weather Band CHANNEL selector
- 11.Battery compartment
- 12.Weather Mode : Weather – Alert Standby – Off
- 13.Alert Test switch : On – Off
- 14.AC power cord
- 15.Weather Band Rod Antenna
- 16.Phones jack
- 17.FM Wire Antenna
- 18.Speakers
- 19.REPEAT : To play the disc continuously
- 20.P.MODE : To select the random or program play mode
- 21.R.Skip / F.SKIP (backward / forward) – HR / MIN buttons:
  - CD track skip and fast search within the track
  - All clock functions minute and hour setting

- 22.STOP : To stop playing the disc
- 23.PLAY / PAUSE : To start playing the CD or to stop momentarily the disc player
- 24.FM STEREO LED indicator
- 25.CD REPEAT LED indicator
- 26.CD RANDOM LED indicator
- 27.CD PROGRAM LED indicator
- 28.ON / OFF LED indicator
- 29.ON / OFF button
- 30.PROGRAM : To set programmable CD tracks
- 31.ALARM 2 button
- 32.ALARM 1 button
- 33.SLEEP button
- 34.TIME button
- 35.PM LED indicator
- 36.ALARM 1 LED indicator
- 37.ALERT STANDBY LED indicator
- 38.Dial scale & pointer
- 39.Digital Display
- 40.ALARM2 LED indicator

#### POWER SUPPLY

This CD clock radio operates on AC 120V~60Hz.It is also equipped with clock battery back-up system,powered by an optional 9V battery type 6F22(not provided).

1. Insert the AC power cord (14) into a convenient standard AC wall outlet.
2. Connect the 9V battery inside the compartment at the bottom of the unit (11).

**NOTE :** An alkaline type battery is recommended. For optimum performance,this battery should be replaced every 6 months.

#### BATTERY BACK-UP SYSTEM

Ensures that the unit will continue to operate as normal during AC power disruption (in order to preserve the battery life the display will not light).All clock settings will be kept in the memory, however,the clock time may require adjustment for exact accuracy.If this battery is not installed,the display will blink " 12:00 " to indicate that you have to redo the time and alarm settings.

#### SETTING THE TIME

1. Press and hold TIME (34) and MINUTE or HOUR (21) to adjust to your desired time.
2. Release TIME (34) to store your setting in memory.

#### LISTENING TO THE RADIO

1. Switch to RADIO position with the function selector (8).
2. Select your desired band by band switch (4).
3. Press ON / OFF (29).
4. Adjust the volume (5) to the desired level.
5. Select your desired radio station (3) and (38).
6. To stop listening to the radio,press ON / OFF (29).

For best reception:

FM: Extend FM wire antenna (17).When in stereo mode and the stereo broadcast is received.FM stereo indicator (24) will light up.

AM: This unit is equipped with a built-in directional ferrite antenna.Move and rotate the unit.

#### LISTENING TO THE CD PLAYER

1. Open the CD door (1),load your disc (label up) into CD compartment (2).
2. Switch to the CD position (8).
3. Press ON / OFF (29),the Display (39) will show total track numbers.It will return to the clock time after few seconds.
4. Press (23) to start listening from the first trackThe Display (39) will show " 01 ", then it will return to the clock time after few seconds.

**NOTE :** Use also this knob to suspend momentarily the playing track.

Press once again to continue playing.

5. Rotate the volume (5) to adjust the desired level.
6. Press (22) to stop listening to the disc.

#### OTHER CD PLAYER FUNCTIONS

R.SKIP / F.SKIP (21): Press F.SKIP to skip forward to the next track or repeatedly to skip tracks.Press R.SKIP return to the beginning of the track, or press repeatedly to skip backwards several tracks.Press and hold R.SKIP or F.SKIP to search quickly within a track.

REPEAT (19) : Press once to repeat your selected track.The REPEAT indicator (25) blinks.

Press twice to play the disc continuously, The REPEAT indicator (25) alight.

Press again to turn off this function, The REPEAT indicator (25) goes off.

PROGRAM (30) : To set your own musical program.

1. Insert the disc (1,2). The total number of tracks in displayed (39).
2. Press (30),the display show " P 01".The PROGRAM indicator (27) blinks.
3. Select with R.SKIP or F.SKIP (21) your desired track,then press (30) to store your program in memory.Redo this operation as many times as necessary.20 tracks can be memorized.
4. Prdss (23) to start playing.
5. Press STOP (22) to stop the disc.
6. To cancel this function,open the CD compartment.

**NOTE :** PROGRAM function can only be done in stop mode.

P.MODE (20) : 1. Press P.MODE (20) to select RANDOM play mode and it will play randomly all the tracks of the CD.The RANDOM indicator (26) alight.

2. Press again to switch off this function until the RANDOM indicator (26) goes off.

#### SETTING THE ALARM AND WAKE UP MODE

This unit allows you to set two different wake-up times which you can choose to use independently or simultansouly AL 1 or AL 2,or AL1 and2.



### SETTING THE ALARM

1<sup>st</sup> Alarm (AL 1) – Press and hold the ALARM 1 (32), and press R.SKIP or F.SKIP (21) to adjust your desired alarm time, then release ALARM 1 (32) to store your setting in memory.

2<sup>nd</sup> Alarm (AL 2) – Press and hold the ALARM 2 (31) and redo the same operation as above.

Select your wake-up time with alarm selector (7).

### WAKE UP TO THE BUZZER SOUND

Switch to the BUZZER position (6), the ALARM LED indicator (36 and/or 40) will light up.

### WAKE UP TO THE RADIO

1. Follow procedures 1 to 6 in "LISTENING TO THE RADIO" to select your desired radio station.
2. Switch to the AUTO position (6), the ALARM indicator (36 and/or 40) will light up.

### WAKE UP TO THE CD

1. Follow procedures 1 to 6 in "LISTENING TO THE CD PLAYER".
2. Switch to the AUTO position (6), the ALARM LED indicator (36 and/or 40) will light up.
3. Press ON/OFF (29) and the ON/OFF indicator (28) goes off.

**NOTE :** If the CD play time is longer than 60 minutes, the music will stop after playing 60 minutes.

### WAKE UP TO THE PROGRAMMABLE CD TRACKS

1. Switch to the CD position (8) and press ON/OFF (29). The ON/OFF indicator (28) will light up.
2. Follow procedures 1 to 5 in "LISTENING TO THE CD PLAYER – PROGRAM".
3. Switch to the AUTO (6) position, the alarm LED indicator (36 and/or 40) will light up.
4. Press ON/OFF (29). The ON/OFF and PROGRAM indicators (27,28) will go off.

**NOTE :** The music will stop after the programmed tracks. E.g. if one track is programmed, the alarm will stop at the end of this track. The programmed memory will be erased once the CD door opens.

### STOPPING THE ALARM

The alarm is programmed to run for 60 minutes.

1. SNOOZE (9) : Press to stop the alarm temporarily, the alarm will stop and ring again automatically after 6 minutes.
2. ON/OFF (29) : The alarm will stop, and will sound again 24 hours later.
3. ALARM MODE (6) : To turn off the alarm permanently, switch to OFF position. The ALARM indicators (36 and/or 40) will go off.

### SLEEP TO MUSIC

1. Select CD/Radio (8) for the sleep mode.
2. Press SLEEP (33), the display shows "--". Press again to select the desired sleep time (three Sleep time 90-60-30 minutes). It will start countdown after few seconds.
3. If in CD mode, it needs to press PLAY/PAUSE (23) for CD playing.
4. Press ON/OFF (29) to turn off the unit.

**NOTE :** If the CD play time is shorter than your selected sleep time, the music will stop at the end of the disc.

### WEATHER BAND / ALERT

This product can provide weather band / alert signal for getting the emergency weather news at any time with 7 channels for different states.

1. ALERT STANDBY : Set the unit in 'ALERT STANDBY' mode by WEATHER MODE switch (12). The ALERT STANDBY indicator (37) will light up. Switch ALERT TEST (13) to 'ON' to check if the alert standby mode is working well or not. It should have a buzzer signal coming out when it is working. Then switch (13) to 'OFF'. At this moment, you can also enjoy the music (Radio / CD) by your product.
2. When emergency weather news comes, the unit will cut off your music sound automatically and change to buzzer signal. The ALERT STANDBY indicator (37) will flash.
3. Switch (12) to 'WEATHER' position to listen to the weather news.
4. After listening to the weather news, switch (12) back to 'ALERT STANDBY' or 'OFF' position.

For best reception:

Extend and rotate Weather Band rod antenna (15).

### MORE INFORMATION

- Do not use your set immediately after transport from a cold place to a warm place, there may be condensation problems.
- Make sure that you keep your set away from water and high temperatures.
- Clean the player with a soft cloth, or a damp chamois leather. Never use solvents.

### NOTES ON COMPACT DISCS

- If there is a scratch, dirt or fingerprints on the CD, it may cause tracking error. Before playing, clean the CD with a cleaning cloth. Wipe the CD from the center out. Don't store discs in places with high temperatures or high humidity – they can become warped. After playing, store the CD in its case.

### TECHNICAL SPECIFICATIONS

POWER SUPPLY : AC 120V ~ 60 Hz

Battery back-up - 9V type 6F22 / 006P / PP3 (not included)

RADIO : FM – 88 / 108 MHz

AM – 530 / 1700 kHz

WB – 162.400 / 162.550 MHz

**NOTE :** CD-Rs or CD-RWs playback capability in this player may vary depending on quality of media, CD-Burner, speed of burning and application software.

### USING HEADPHONES (NOT INCLUDED)

Inserting the plug of your headphones into the Headphone Jack (16) will enable you to listen to the CD and Radio in private. When using headphones, the Speakers will be disconnected automatically until the headphones are unplugged.

### READ THIS IMPORTANT INFORMATION BEFORE USING YOUR HEADPHONES

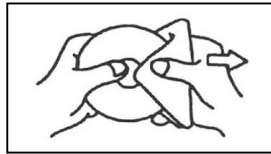
1. Avoid extended play at very high volume as it may impair your hearing.
2. If you experience ringing in your ears, reduce the volume or shut off your unit.
3. Do not use while driving a motorized vehicle. This is dangerous and also illegal in some states.

- Keep the volume at a reasonable level even if your headset is an open-air type designed to allow you to hear outside sounds. Please note excessively high volume may still block outside sounds.



### CARE AND MAINTENANCE

- Clean your unit with a damp (never wet) cloth. Solvent or detergent should never be used.
- Avoid leaving your unit in direct sunlight or in hot, humid or dusty places.
- Keep your unit away from heating appliances and sources of electrical noise such as fluorescent lamps or motors.
- If drop-outs or interruptions occur in the music during CD play, or if the CD fails to play at all, its bottom surface may require cleaning. Before playing, wipe the disc from the center outwards with a good soft cleaning cloth.



- Always clean the outside of the cabinet thoroughly if it becomes wet with moisture or water splashes. This will help to prevent the internal parts of the unit from entry of water and possible moisture damage.

### COMPLIANCE WITH FCC REGULATIONS

This equipment has been tested and found to comply with the limits for a Radio Receiver, pursuant to Part 15 of the FCC Rules. These limits are designed to provide reasonable protection against harmful interference in a residential installation. This equipment generates, uses and can radiate radio frequency energy and, if not installed and used in accordance with the instructions, may cause harmful interference to radio communications. However, there is no guarantee that interference will not occur in a particular installation. If this equipment does cause harmful interference to radio or television reception, which can be determined by turning the equipment off and on, the user is encouraged to try to correct the interference by one or more of the following measures:

- Reorient or relocate the receiving antenna.
- Increase the separation between the equipment and receiver.
- Connect the equipment into an outlet on a circuit different from that to which the receiver is connected.
- Consult the dealer or an experienced radio technician for help.

**NOTE :** The manufacturer is not responsible for any radio or TV interference caused by unauthorized modifications to this equipment. Such modifications could void the User's authority to operate the equipment.

### TROUBLE SHOOTING GUIDE

If you experience difficulties in the use of this music system, please check the followings or call 1- 800 - 777 - 5331 for Customer Service.

| Symptom  | Possible  | Cause Solution   |
|--|---|--|
| Noise or sound distorted on AM or FM broadcast     | Station not tuned properly for AM or FM.<br>FM: Wire antenna is not extended.<br>AM: The bar antenna is not positioned correctly. | Retune the AM or FM broadcast station.<br>Extend FM wire antenna.<br>Reposition the unit until the best reception is obtained. |
| FM ST LED does not light up                        | You have tuned to a mono station or station too weak.   | Select another FM station.   |
| AM or FM no sound                                  | Unit not at Radio function.<br>Volume at minimum  | Switch Radio Function<br>Increase Volume.  |
| CD player will not play                            | Unit not in CD function mode.<br>CD is installed incorrectly.   | Switch CD function mode.<br>Insert CD with label side back .   |
| CD skips while playing                             | Disc is dirty or scratched.   | Wipe CD with clean cloth or use another disc.  |
| Weather band no sound                              | Weather band switch not in WEATHER position.<br>Volume set to minimum.  | Switch to weather position.<br>Increase Volume.  |
| Noise or sound distorted on Weather Band broadcast | Rod antenna is not extended.  | Extend and rotate rod antenna.   |

### SERVICE

Please refer to the instructions on the enclosed warranty card for returning your unit for service. When returning the unit, please remove batteries to prevent damage to the unit in transit and/or from possible battery leakage. We are not responsible for batteries returned with the product or for the cost of replacement.

Distributed by:

Spectra Merchandising International, Inc.  
Chicago Industry Tech Park  
4230 North Normandy Avenue  
Chicago, IL 60634, U.S.A.

Please have model number ready, for Customer Service, call 1-800-777-5331

Printed in China