

CT74 Series Facial Recognition Terminal

User Manual

General Notice

Although every care has been taken to ensure that this manual is reliable and accurate, Lathem Time Corporation (here after referred to as Lathem) provides it 'as is' and without express, implied, or limited warranty of any kind. In no event shall Lathem Time Corporation be liable for any loss or damage caused by the use of this manual.

This manual describes CT74 facial recognition terminal in detail and contains full operating instructions.

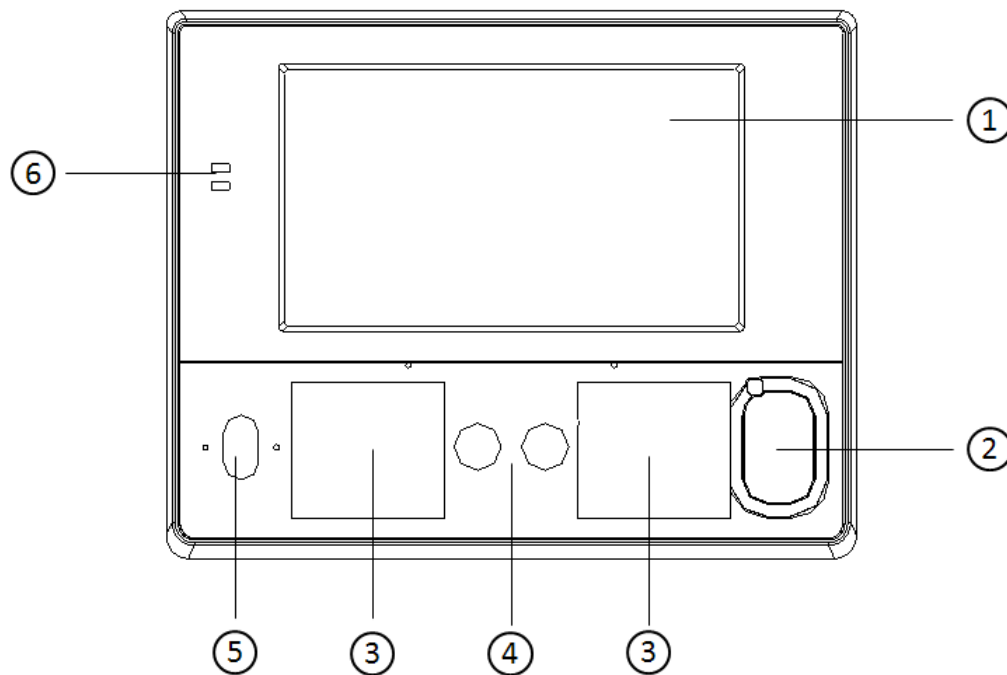
Lathem reserves the rights to change the specifications and information in this document without notice. The information contained herein is proprietary to Lathem. Release to third parties of this publication or of information contained herein is prohibited without the prior written consent of Lathem Time Corporation

Content

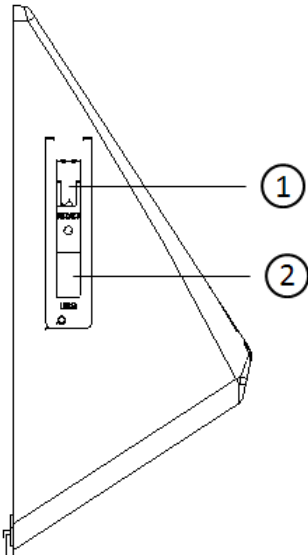
1. Product Features	4
1.1 Appearance View	4
1.3 Connection Port.....	6
2. Appendix.....	8
Appendix1. Product Specification	8
Appendix2. Caution	8

1. Product Features

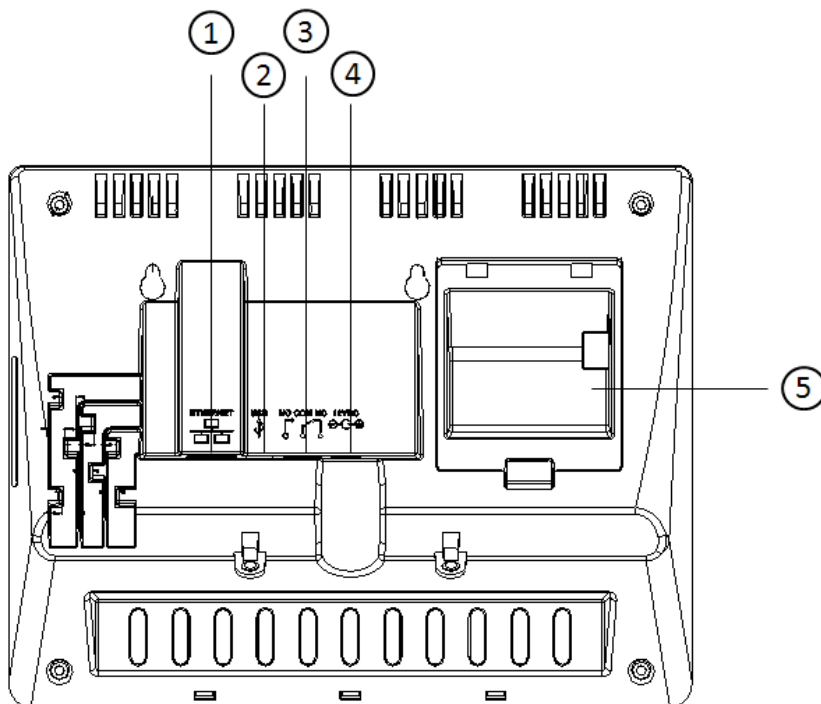
1.1 Appearance View



- 1. Touch Screen
- 2. RFID reader
- 3. LED lights
- 4. Camera
- 5. Speaker
- 6. Network LED Indicator

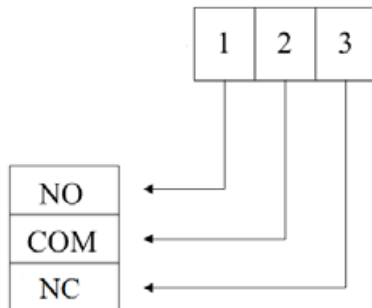


- 1. Reset button
- 2. USB socket



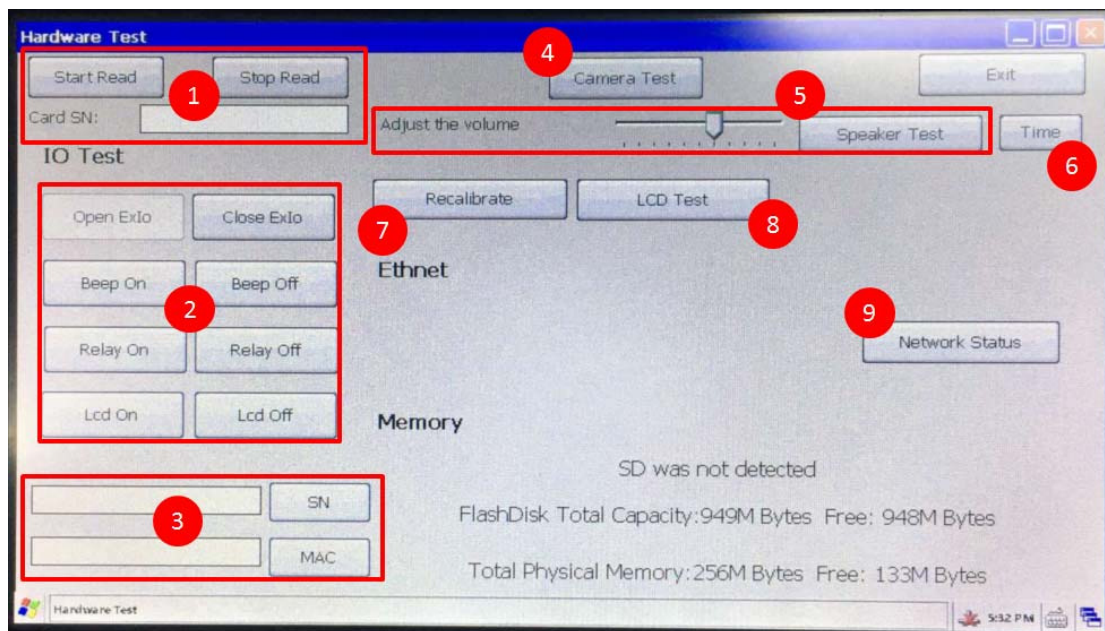
- 1. Ethernet Jacket
- 2. USB Port
- 3. 3-Pin Connection Port
- 4. Power Adapter Port

1.2 Connection Port



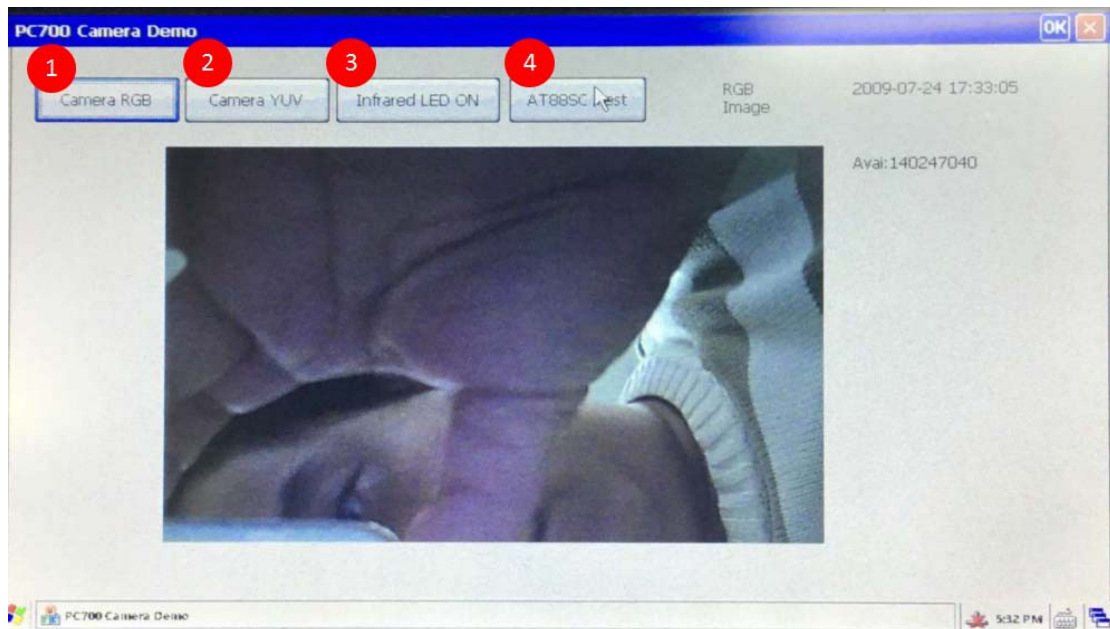
- NC/NO/COM: relay output for access power supplies
 - ◇ Normal Close (NC): the standard status is CLOSE.
 - ◇ Normal Open (NO): the standard status is OPEN.
 - ◇ COM: common port

2. Software



1. Test RFID card
 - a) <Start Read> : enable RFID testing.
 - b) Card SN: show RFID card number.

- c) <Stop Read>: Disable RFID testing.
- 2. Hardware IO testing
 - a) <Open Exlo> & <Close Exlo>: enable / disable IO testing.
 - b) <Beep On> & <Beep Off>: test buzzer.
 - c) <Relay On> & <Relay Off>: test relay output signal.
 - d) <Lcd On> & <Lcd Off>: test LCD backlit
- 3. SN & MAC display
- 4. Camera Test
- 5. Speaker Test
- 6. System Time Settings
- 7. Touch Screen Calibrate
- 8. LCD display Test
- 9. Network status display



- 1. RGB Camera Test
- 2. Infrared Camera Test
- 3. Infrared Light On/OFF
- 4.

3. Appendix

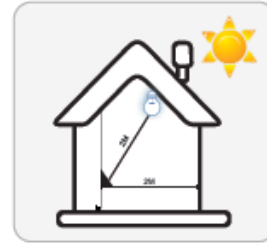
Appendix1. Product Specification

- **Verification methods**
 - ✚ Face
 - ✚ Card and Face
 - ✚ Card or Face
 - ✚ Card
 - ✚ Card and Photo
 - ✚ ID and Pin
- **Languages:**
 - ✚ English
- **Recognition algorithm**
 - ✚ V2.6 or V3.1
- **Display:** 7 inch Touch Screen
- **RFID card:** Proximity card (125KHz)
- **Communication**
 - ✚ TCP/IP
 - ✚ USB port
- **Power:** 12V DC, 1.5A
- **Environment Light:** 0-10000Lux
- **Working Temperature:** 0°C-40°C
- **Working Humidity:** 20% - 80%

Appendix2. Caution

- **Installation Environment**

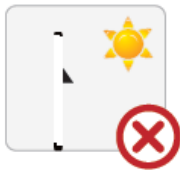
Terminal should install inside of the room, and make sure the installation place far with the window/door/light more than 2 meters.



Outside of the room

Sunlight directly shines on the terminal through the window.

Sunlight slanted shines on the terminal through the window.



- **Restoration and restart**

When the system halted and cannot quit, you can remove the adapter to restore and restart the system, or you also can press <RESET> to restart the terminal.

- **Restore to default setting**

Restore all parameters to the default setting.

- **Non-Water proof**

The terminal is non-waterproof, please keep away from water.

- **Prevent from Falling**

The parts in this terminal are friable; please prevent the terminal from dropping, smashing, bending and high pressure.

- **Cleaning**

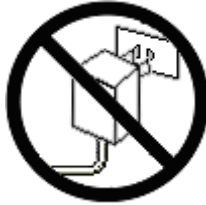
Please use soft cloth or the other similar material to clean the screen and faceplate, please avoid cleaning with water and cleanser.

- **Low Temperature Environment**

The working temperature for screen and the main parts in this terminal are the normal indoor temperature. The performance of this terminal will get worse, if the working temperature extend this temperature range.



Please prevent the screen from oil or any sharp objects.



Please use the equipped adapter for the terminal, the other unknown adapters will burn out

Warning

Any Changes or modifications not expressly approved by the party responsible for compliance could void the user's authority to operate the equipment. This device complies with part 15 of the FCC Rules. Operation is subject to the following two conditions: (1) This device may not cause harmful interference, and (2) this device must accept any interference received, including interference that may cause undesired operation. Note: This equipment has been tested and found to comply with the limits for a Class B digital device, pursuant to part 15 of the FCC Rules. These limits are designed to provide reasonable protection against harmful interference in a residential installation. This equipment generate, uses and can radiate radio frequency energy and, if not installed and used in accordance with the instructions, may cause harmful interference to radio communications. However, there is no guarantee that interference will not occur in a particular installation. If this equipment does cause harmful interference to radio or television reception, which can be determined by turning the equipment off and on, the user is encouraged to try to correct the interference by one or more of the following measures: —Reorient or relocate the receiving antenna. —Increase the separation between the equipment and receiver. —Connect the equipment into an outlet on a circuit different from that to which the receiver is connected. —Consult the dealer or an experienced radio/TV technician for help. This equipment complies with FCC radiation exposure limits set forth for an uncontrolled environment. This equipment should be installed and operated with minimum distance 20cm between the radiator& your body.