

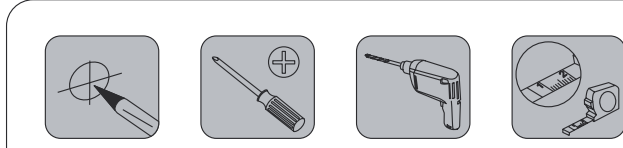
Item No. : LS002(PSW229SF)X55AIR
Installation guide

M6X40MM A(4PCS)
B(4PCS)
 $\phi 22 \times 30$ C(2PCS)
D(4PCS)
E(4PCS)
F(4PCS)

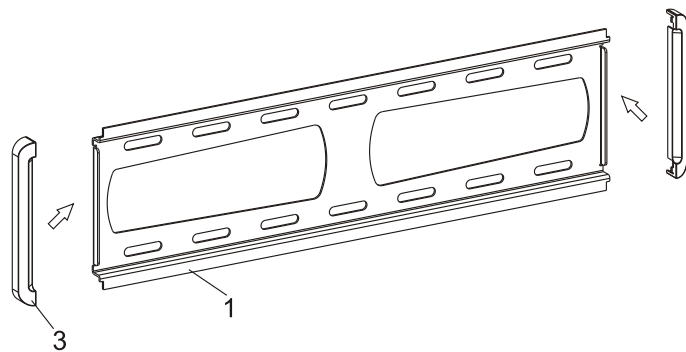
1. Wall plate
 2. Brackets
 3. Decorative end cap

Magnetic removable bubble level
 the washer is packed in the TV package

VESA
400X400
SCREEN SIZE
32"-65"
CLOSE
82MM
WEIGHT
40kg

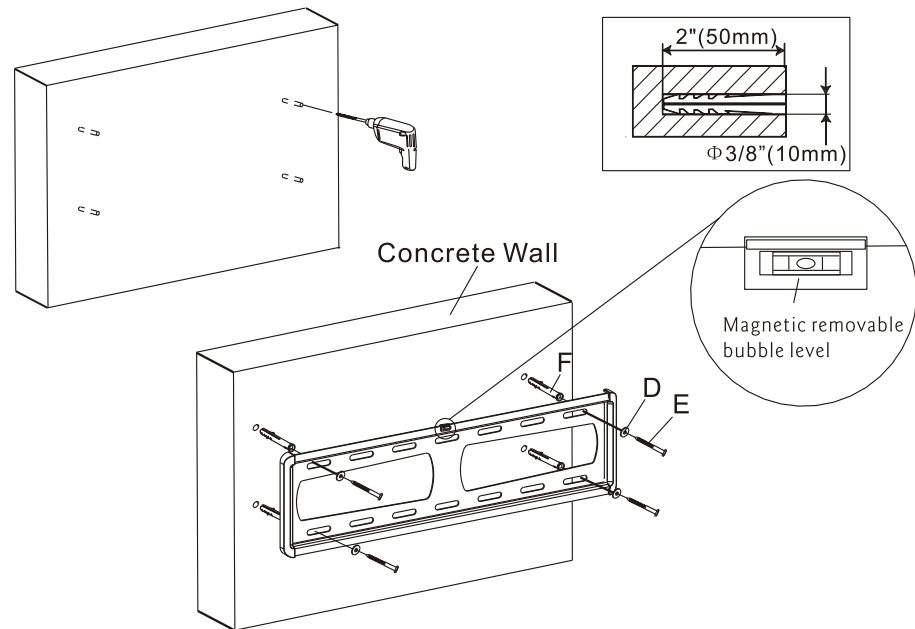


STEP 1



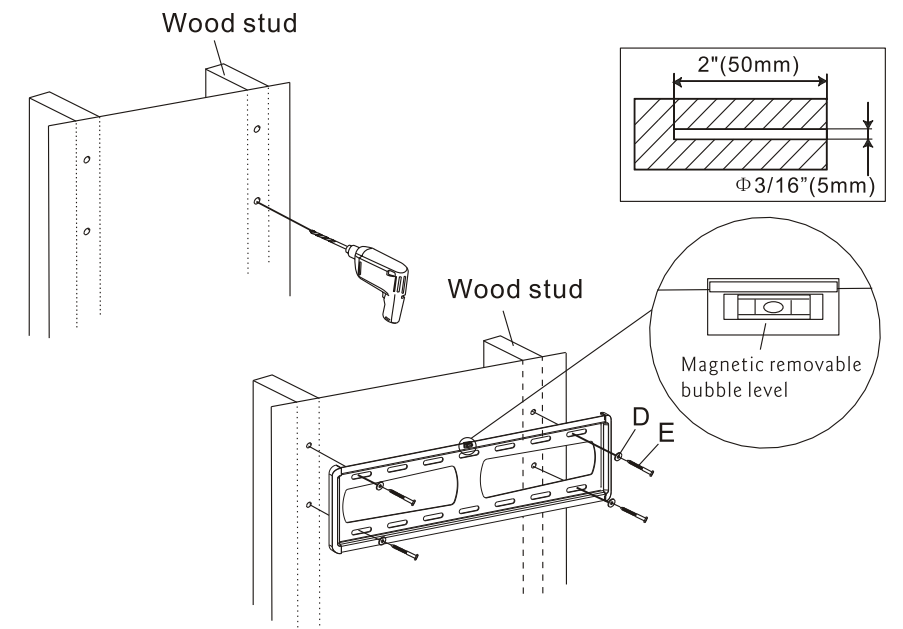
STEP 2-A

Solid concrete mounting



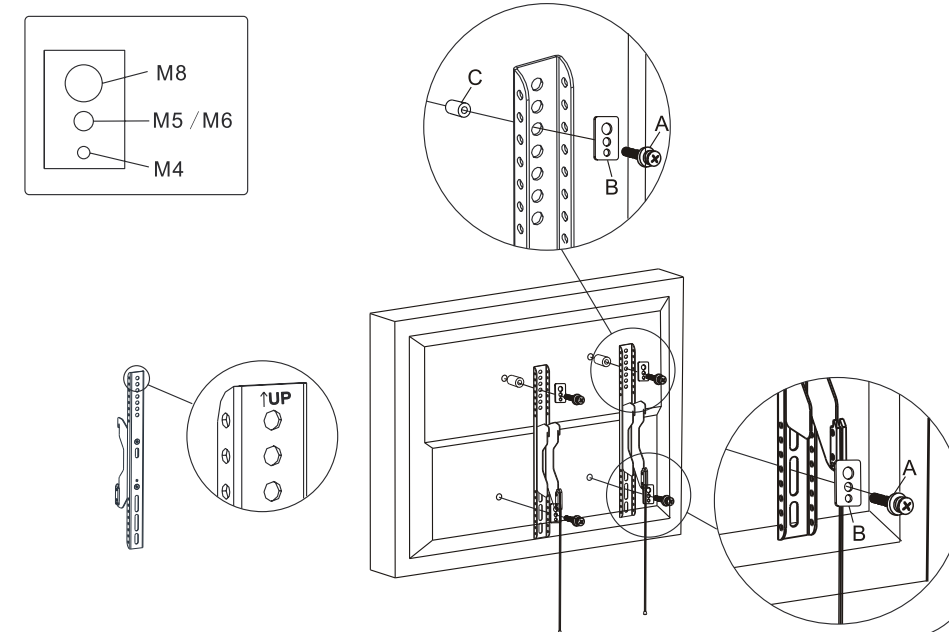
STEP 2-B

Wood stud mounting



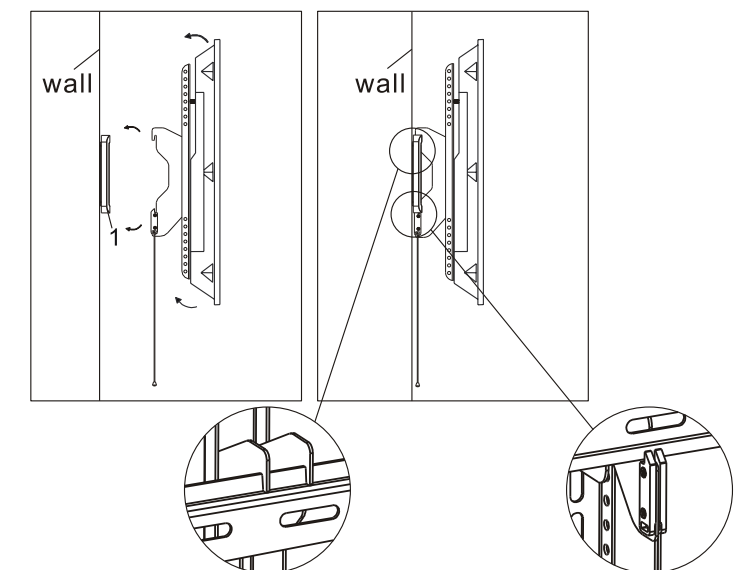
STEP 3

Attaching brackets to screen

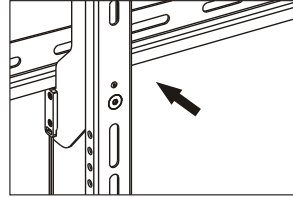


STEP 4

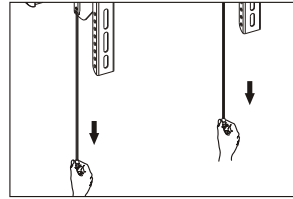
Hang the TV onto the wall plate



(1) Press the brackets after you put them on the wall plate, then they would be locked with wall plate.



(2) Pull down two strings together to unlock the brackets from the wall plate, then you can take brackets down.



CAUTION

This product contains small items that could be a choking hazard if swallowed. Keep these items away from young children.

- Make Sure these instructions are read and completely understood before attempting installation. If you are unsure of any part of this installation, please contact a professional installer for assistance.
- The wall or mounting surface must be capable of supporting the combined weight of the mount and the display, otherwise the structure must be reinforced.
- Safety gear and proper tools must be used. A minimum of two people are required for this installation. Failure to use safety gear can result in property damage, serious injury or death.
- please check joint parts every two months, making sure the screws are loosened or not.

This product was designed to be installed on wood stud walls and solid concrete walls. Before installing, make sure the wall will support the combined load of the equipment and hardware. Never exceed the maximum load capacity 40 KG, or else it may result in product failure or personal injury.

Note: this product is intended for indoor use only. Use of this product outdoors could lead to product failure or personal injury.

To prevent injury, this apparatus must be securely attached to the wall in accordance with the installation instructions.

Manufacturer: Loctek Visual Technology Corp.

Add: Science & Technology Zone, Jiangshan Town, Yinzhou District, Ningbo, Zhejiang 315191, P.R. China

Tel: 86-574-88098888/88070226

Fax: 86-574-88098788

Email: sales1@china-logitek.com sales2@china-logitek.com

Web: china-logitek.enalibaba.com

www.globalsources.com/logitek.com

www.china-logitek.com