

UH400

FREQUENCY-AGILE PLUG-ON UHF TRANSMITTER

OPERATING INSTRUCTIONS and trouble-shooting guide

LECTROSONICS, INC.

Rio Rancho, NM
www.lectrosonics.com

INTRODUCTION

Thank you for selecting the Lectrosonics UH400 frequency agile, plug-on transmitter. The UH400 combines over 80 years of engineering experience with the very latest components, in a design that addresses the most demanding professional applications.

The design of the UH400 was the direct result of numerous conversations with users, staging and touring companies and dealers across the US. The specific concerns and needs brought up in these conversations led directly to the development of the operational features offered on the UH400. Two hundred fifty six frequencies are user selectable in 100kHz steps to alleviate interference problems in travelling venues.

The UH400 is a rugged, machined aluminum package. Selectable voltage phantom power is provided on pins 2 and 3. Level indicating LEDs are provided to make level settings quick and accurate, without having to view the receiver. The battery compartment accepts any 9 Volt alkaline or lithium battery and makes a positive connection via self-adjusting contacts.

Only the UH400 transmitter is covered in this manual. Companion receivers are covered in separate manuals. The UH400 will operate with any 100, 200 or 400 Series Lectrosonics receiver in the same frequency group.

TABLE OF CONTENTS

INTRODUCTION	2
GENERAL TECHNICAL DESCRIPTION	3
CONTROLS AND FUNCTIONS	4
OPERATING INSTRUCTIONS	6
TROUBLESHOOTING	8
SPECIFICATIONS AND FEATURES	10
SERVICE AND REPAIR	11
RETURNING UNITS FOR REPAIR	11
WARRANTY	Back cover

The UH400 transmitter is FCC type accepted under Part 74: 470 - 608MHz and 614 - 806MHz

GENERAL TECHNICAL DESCRIPTION

GENERAL

The 400 system uses 75kHz wide deviation for an extremely high signal to noise ratio. The switching power supplies provide constant voltages to the transmitter circuits from the beginning (9.3 Volts) to the end (5.5 Volts) of battery life. The input amplifier uses an ultra low noise op amp for quiet operation. It is gain controlled with a wide range dual envelope input compressor which cleanly limits input signal peaks over 30dB above full modulation.

DIGITAL HYBRID TECHNOLOGY

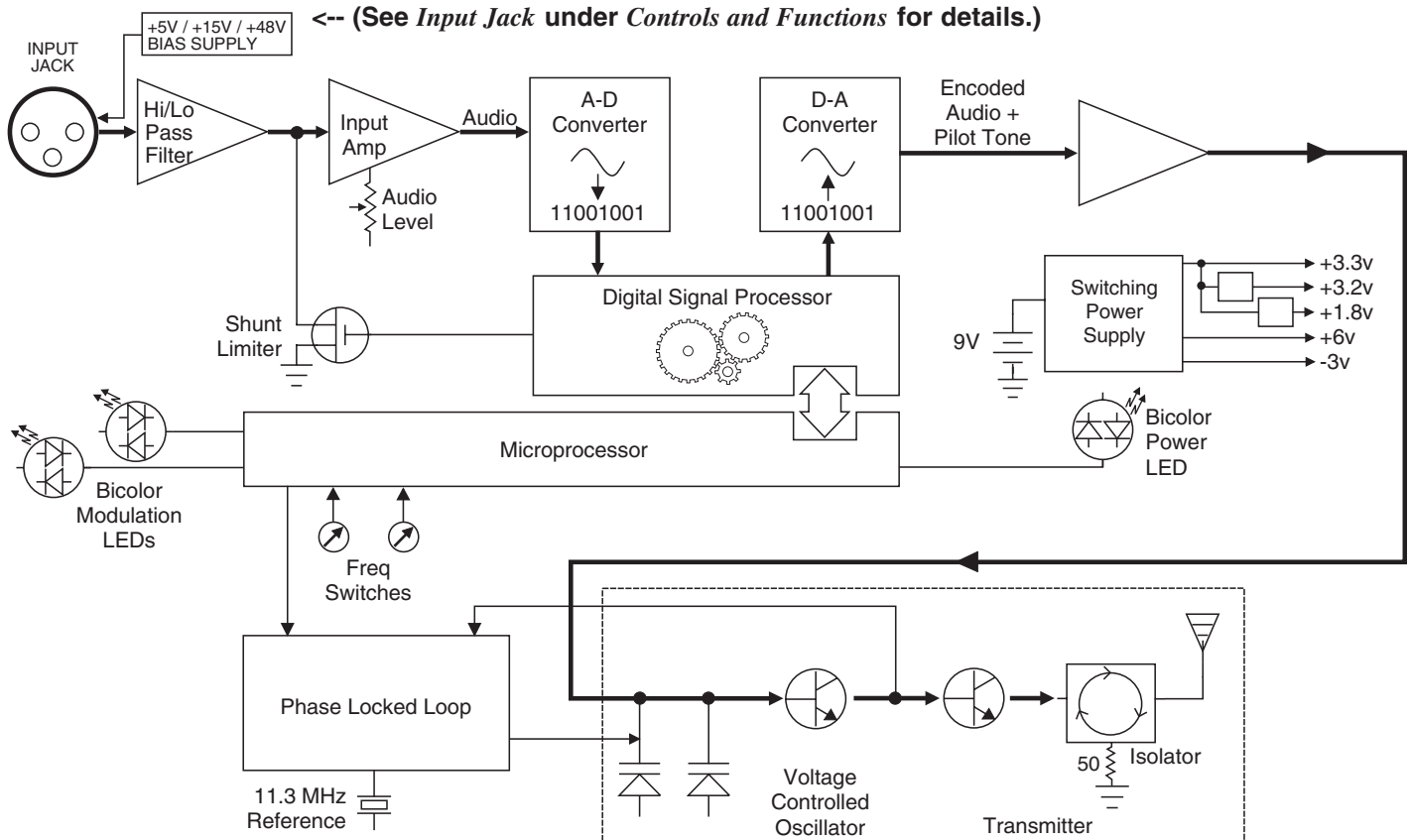
All wireless links suffer from channel noise to some degree, and all wireless microphone systems seek to minimize the impact of that noise on the desired signal. Conventional analog systems use compandors for enhanced dynamic range, at the cost of subtle artifacts (known as "pumping" and "breathing"). Wholly digital systems defeat the noise by sending the audio information in digital form, at the cost of some combination of power, bandwidth and resistance to interference.

The Lectrosonics Digital Hybrid system overcomes channel noise in a dramatically new way, digitally encoding the audio in the transmitter and decoding it in the receiver, yet still sending the encoded information via an analog FM wireless link. This proprietary algorithm is not a digital implementation of an analog

compandor but a technique which can be accomplished only in the digital domain, even though the inputs and outputs are analog signals. (As of this writing, the patent is still pending, so we cannot reveal detailed information about the algorithm at this time.)

Channel noise still has an impact on received signal quality and will eventually overwhelm the receiver. The Digital Hybrid simply encodes the signal to use a noisy channel as efficiently and robustly as possible, yielding audio performance that rivals that of wholly digital systems, without the power and bandwidth problems inherent in digital transmission. As always, these advantages come at a cost. The Digital Hybrid system requires fairly intensive digital processing in both the transmitter and the receiver. These processors cost money, take up space and consume power. The Digital Hybrid system also requires that the underlying RF link be of excellent quality, with better frequency response and distortion characteristics than that required by conventional systems.

Because it uses an analog FM link, the Digital Hybrid enjoys all the benefits of conventional FM wireless systems, such as excellent range, efficient use of RF spectrum, and long battery life. However, unlike conventional FM systems, the Digital Hybrid has done away with the analog compandor and its artifacts.



UH400 Block Diagram

NO PRE-EMPHASIS/DE-EMPHASIS

The signal to noise ratio of the 400 system is high enough to preclude the need for conventional pre-emphasis (HF boost) in the transmitter and de-emphasis (HF roll off) in the receiver. Pre-emphasis and de-emphasis in an FM radio system usually provides about a 10dB improvement in the signal to noise ratio of the system, but the high frequency boost in the transmitter must be removed in a purely complementary manner or else the frequency response of the original audio signal will be altered.

Pre-emphasis can also cause distortion in the receiver. As this signal is passed through the IF filters in the receiver, distortion can be produced, most noticeably at full modulation. De-emphasis cannot be applied until the signal is converted into audio, so there is no way around this problem short of eliminating pre-emphasis altogether. Neither of these problems occur in the 400 system

PILOT TONE SQUELCH

The 400 system utilizes one of 256 different ultrasonic tones between 25 and 32 kHz, that modulate the carrier to operate the receiver squelch. The pilot tone frequency is chosen according to which of the 256 channels has been selected by the frequency switch setting. The basic benefit of the pilot tone squelch system is that the receiver will remain muted until it receives the pilot tone from the matching transmitter, even if a strong RF signal is present on the carrier frequency of the system. The UM400

extends this concept even further by insuring that all transmitters in a system have different pilot tone frequencies so that even spurious RF from the wrong transmitters can't open the receiver squelch.

WIDE-BAND DEVIATION

$\pm 75\text{kHz}$ deviation improves the capture ratio, signal to noise ratio and AM rejection of a wireless system dramatically, compared to the more commonly used $\pm 15\text{kHz}$ deviation.

LONG BATTERY LIFE

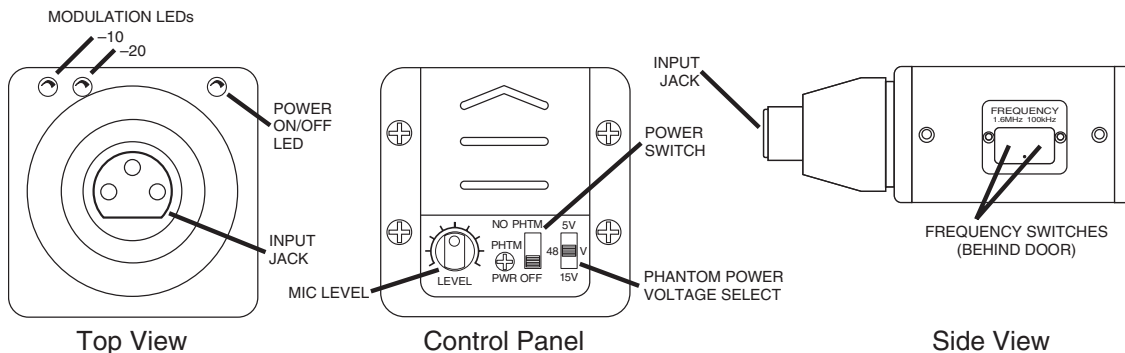
Switching power supplies throughout the design allow over 4.5 hours of operation using a single 9 Volt alkaline battery. (A 9V lithium battery will provide over 12 hours of operation.) The battery contacts are spring loaded to prevent "rattle" as the unit is handled.

FREQUENCY AGILITY

The transmitter section uses a synthesized, frequency selectable main oscillator. The frequency is extremely stable over a wide temperature range and over time.

Two rotary switches, located on the side panel of the unit, provide 256 frequencies in 100kHz steps over a 25.5MHz range. This alleviates carrier interference problems in mobile or traveling applications.

CONTROLS AND FUNCTIONS



The UH400 may be used with a wide variety of microphones. The 3-pin XLR connector on the UH400 allows the transmitter to be used with any dynamic microphone, as well as many two wire positive bias lavalier systems (such as those systems supplied by Lectrosonics).

POWER SWITCH

Turns the battery power on and off. Even when the switch is turned off or on abruptly, the pilot tone muting system prevents "thumps" or transients from occurring.

The PHTM (center) position of the power switch turns on the phantom power while the NO PHTM (fully on) position disables phantom power. Be careful to use the center position phantom

power only when necessary and keep the voltage selector switch in the 5 Volt position for additional protection against accidents.

POWER ON/OFF LED

This LED glows green when the battery is good. When the lamp glows red, there is about 30 minutes of operation left with the recommended lithium battery, and about 20 minutes of life left with an alkaline battery. The lamp will flash red when there are only a few minutes of life remaining. A NiMh battery will give little or no warning when it is depleted. If you wish to use NiMh batteries in the UM400, we recommend trying fully charged batteries in the unit, noting the length of time that the batteries will run the unit and in the future use somewhat less than that time to determine when the battery needs to be replaced. A weak battery will sometimes light the POWER LED to the "good"

green indication immediately after being put in the unit, but will soon discharge to the point where the LED will go red or shut down, just like a flashlight with “dead” batteries. If the lamp fails to light, the battery should be replaced.

PHANTOM POWER VOLTAGE SELECT SWITCH

This switch selects from three voltages when the PWR switch is in the mid position. The voltages are:

- 5 Volts for lavalier microphones,
- 15 Volts for some professional mics requiring high current and for many common stage mics that will operate over a wide phantom voltage range of 12 to 48 Volts. With the proper adapter, this position can also be used with T power microphones. See our web site for details on finding or making the proper adapter.
- 42 Volts for microphones that do in fact require a supply greater than 15 Volts. (See below for a discussion of why 42 and not a “true” 48 Volts.)

For longest battery life use the minimum phantom voltage necessary for the microphone. Many stage microphones regulate the 48 Volts down to 10 Volts or so internally anyway, so you might as well use the 15 Volt setting and save some battery power. If you are not using a microphone for the input device, turn the phantom power off (off is the fully up position of the power switch). The phantom power should only be used with a fully floating, balanced device such as almost any type microphone with a 3 pin XLR connector. If you use the phantom power with an unbalanced device or if pins 2 or 3 are DC connected to ground, then you will draw maximum current from the power supply. The UH400 is fully protected against such shorts but the 9 Volt battery will be drained at twice its normal rate.

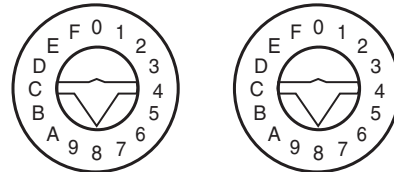
The transmitter can supply 4 mA at 42 Volts, 8 mA at 15 Volts, and 8 mA at 5 Volts. The 42 Volts setting actually supplies the same voltage to a 48 Volt microphone as the DIN standard arrangement due to a dynamic biasing scheme that does not have as much voltage drop as the DIN standard. The 48 Volt DIN standard arrangement protects against shorts and high fault current with high resistance in the power supply feeds to pins 2 and 3. This protects the supply if the supply current is accidentally shorted to ground and also keeps the microphone from being attenuated by the power supply. The UH400 improves on those functions and is able to use less power from the battery by using constant current sources and current limiters. With this dynamic arrangement the UH400 can also supply more than twice the current of competing 48 Volt plug on units and provide 4 times the current to some very high end 15 Volt microphones.

The 5 Volt setting is provided for lavalier microphones made by us and others. Do not power lavalieres from the 15 or 48 Volt setting as the microphone will be most likely destroyed. Lectrosonics makes an adapter, MCA5X, that will adapt our standard TA5F 5 pin microphones to the UH400. This adapter also provides protection against excessive phantom voltage. If voltages higher than 5 Volts are applied to the adapter, a Zener will shunt excess voltage to ground. The microphone won't work until the voltage is correctly reduced to 5 Volts. If you have an older

lavalier mic that was wired directly to an XLR for use with the earlier UH200's, we strongly recommend building our protection circuit into the XLR to prevent accidental destruction of the lavalier.

FREQUENCY ADJUST

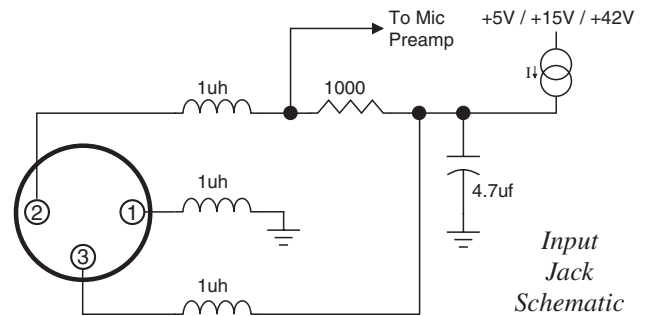
These two rotary switches adjust the center frequency of the carrier. The 1.6M is a coarse adjustment and the 100K is the fine adjustment. Each transmitter is factory aligned at the center of its operating range. The default position of the frequency select switches is in the center of the transmitter's range.



Frequency select switches, default position (8,8)

INPUT JACK

Standard 3-pin Switchcraft XLR type. Pin 2 is signal, pin 3 is a floating signal ground, and pin 1 is case ground (see schematic below). The UH400 is self-locking onto a standard microphone. **If severe noise is experienced when the microphone is moved with respect to the UH400, the cause is an unbalanced condition between pins 2 and 3 of the microphone.**



MODULATION LEDS

Indicate the proper setting of the MIC LEVEL control. There are two bicolor modulation LEDs that can light either red or green.

- “-20dB level” One modulation LED glows green and the transmitter is 20 dB below full modulation.
- “-10 dB level” Both modulation LEDs glow green and the transmitter is close to full modulation.
- “+0 dB level” The -20 LED glows red and the -10 LED glows green. The transmitter is in slight limiting and is fully modulated. This is probably desirable. See the discussion below under **Input Limiter**.
- “+10 dB level” Both LEDs are red. The transmitter is in limiting and you may want to reduce the transmitter audio gain. See the discussion below under **Input Limiter**.

INPUT LIMITER

The 400 series transmitters employ a digitally-controlled analog audio limiter just before the analog-to-digital converter. The limiter has a range of more than 30dB for excellent overload protection. A dual release envelope makes the limiter acoustically transparent while maintaining low distortion. It can be thought of as two limiters in series, connected as a fast attack and release limiter followed by a slow attack and release limiter. The limiter recovers quickly from brief transients, so that its action is hidden from the listener, but recovers slowly from sustained high levels, to both keep audio distortion low and preserve short term dynamic changes.

The audio level LEDs indicate limiter activity. The first red LED indicates that the limiter is active and that the transmitter is fully modulated (audio level is between +0 and +10 dB). The second red LED indicates that the level is 10dB or more into limiting. Occasional forays into the red are desirable for most applications, since the distortion introduced by the limiter is so minimal, and full modulation is thus assured. We strongly recommend setting the gain of the transmitter high enough so that the first red LED occasionally lights.

Generally speaking, some limiting is desirable in normal operation to improve the signal to noise ratio of the system. The limiting action is not audible and does not create distortion. A highly trained ear would hear only the compression of the peaks in the audio signal, which is desirable with most recorders and many sound reinforcement systems.

OPERATING MODE INDICATORS

The modulation LEDs will blink at power up to indicate the selected operating mode. Immediately after powering up, all LEDs will blink together red, then green, followed by the audio level LEDs (-20 and -10) blinking to indicate the mode.

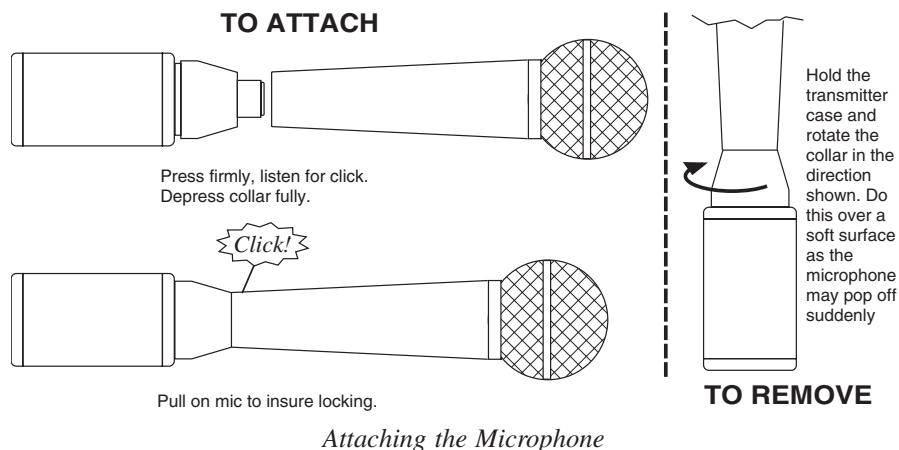
The -20 and -10 LEDs will blink:

- Once for 100 mode
- Two times for 200 mode
- Three times for mode 3
- Four times for 400 mode

MIC LEVEL

Used to adjust the audio input level for the proper modulation.

OPERATING INSTRUCTIONS



1. Insert the UH400 into the selected microphone. Listen for the "click" that indicates the transmitter has locked on to the microphone. Pull on the mic to insure proper locking has occurred.
2. Turn the power switch on and, if necessary, enable phantom power and select the proper voltage for your microphone.
3. Hold the microphone as you will when you will be using it.
4. Position the microphone in the location you will use in actual operation.
5. While speaking or singing at the same voice level that will actually be used, observe the MODULATION LEDs. Adjust the MIC LEVEL control knob until the LEDs begin to light. At too low a setting neither LED will light as you speak. Gradually, turn the gain up until the -20 dB LED lights green and then the -10 dB lights green. We strongly recommend setting the gain of the transmitter even higher so that the first red LED occasionally lights.
6. Once the gain has been adjusted, the audio system audio can be turned on to make level adjustments in the main audio system.

OPERATING TIPS

The MIC LEVEL control knob *should not* be used to control the volume of your sound system or recorder levels. This gain adjustment matches the transmitter gain with the user's voice level and microphone positioning.

If the audio level is too high — both red LEDs will light frequently or stay lit. This condition may reduce the dynamic range of the audio signal.

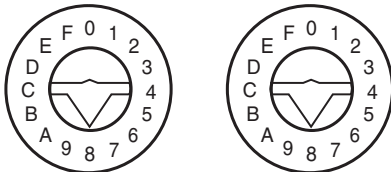
If the audio level is too low — neither LED will light, or only the -20 LED will light green. This condition may cause hiss and noise in the audio.

Different voices will usually require different settings of the MIC LEVEL control, so check this adjustment as each new person uses the system. If several different people will be using the transmitter and there is not time to make the adjustment for each individual, adjust it for the loudest voice.

ADJUSTING THE TRANSMITTER FREQUENCY

If you are experiencing interference from another signal on your frequency, you may want to change the operating frequency of your system. The left switch changes the operating frequency by 1.6 MHz per step and the right switch changes it 100 kHz per step. If you are experiencing interference, change the operating frequency in 100 kHz steps to find a clear channel. If it is not possible to find a clear channel using the 100 kHz switch, return it to its original position and change the 1.6 MHz switch by one click then try the 100 kHz switch again.

To gain access to these switches, slide the access door open with a fingernail.



Frequency select switches, default position (8,8)

SELECTING THE OPERATING MODE

This unit is capable of working with Lectrosonics 100 series analog, 200 series analog, 400 series digital hybrid or some other analog wireless receivers (contact the factory for details). The transmitter must be set to the operating mode of the matching receiver, which is easily done using only the supplied screwdriver and a battery.

NOTE: the UH400 is supplied from the factory as a 400 series transmitter

1. Make certain a good battery is in the battery compartment. If the PWR LED lights up, the battery is correctly loaded.
2. Turn off the transmitter.
3. With a small screwdriver (included with your unit), set the frequency change switches to CC. (for **C**hange, **C**hange).
4. Power up the unit briefly – just a couple of seconds (just watch for the LED's to light up) then immediately turn it off.
5. Change the switches to one of the following settings:

MODE	SWITCH SETTINGS
100 Series	1,1
200 Series	2,2
Mode 3*	3,3 (*Contact factory for details.)
400 Series Digital Hybrid	4,4

6. Turn the transmitter on, wait just a couple of seconds and turn off again.
7. Change the switches to 0,0.
8. Power up the unit. You have now changed the operation mode for the UH400.

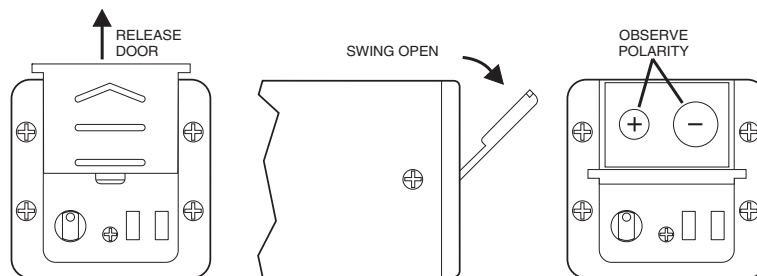
At power up the UH400 will confirm the current operating mode with the number of blinks listed above. The setting will remain the same until you reset it with the procedure listed above. You do not have to change it with every use.

BATTERY REPLACEMENT

The UH400 transmitter is powered by a standard alkaline 9 Volt battery. It is important that you use **ONLY ALKALINE OR LITHIUM** batteries for longest life. Standard zinc-carbon batteries marked "heavy duty" or "long-lasting" are not adequate. They will provide only about **5 minutes** of operation. Similarly, ni-cad rechargeable batteries only give 1 hour of operation, and will also run down quite abruptly. Alkaline batteries provide about 4.5 hours of operation while lithium batteries will run the unit for about 12 hours.

To open the battery compartment, press outward on the cover door in the direction of the arrow as shown in the drawing. Only slight, sliding pressure is needed to open and close the battery door.

Swing the door open and take note of the polarity marked inside showing the location of the positive (+) and negative (-) terminals. Insert the battery and close the cover by pressing in and across, reversing the opening procedure outlined above. Note that the battery door will **NOT** close if the battery is inserted incorrectly, since the terminals will hit a protective polarity barrier.



Battery Compartment Action

Don't force the battery door closed. If it is difficult to close, the battery is in backwards.

The battery life will be affected by the amount of phantom power supplied to any microphones that require it. A high drain 48 Volt microphone can shorten battery life by 40% or more. A light drain 15 Volt microphone will make little or no difference in battery life. The only way to be sure is to test the transmitter and microphone combination with a brand new battery; then and only then will you be sure of the combination's battery life.

CAUTION

Lithium batteries will expand and swell if allowed to go into a deep discharge. Be sure to remove lithium batteries as soon as the battery is depleted. If lithium batteries are allowed to fully discharge while still inside the battery compartment, they will be very difficult to remove.

Stuck lithium batteries can be avoided by removing the label wrapping around the battery before use. This will allow the battery to swell but will still leave enough room in the compartment for the battery to fall out normally.

TROUBLESHOOTING

Before going through the following chart, be sure that you have a good battery in the transmitter. It is important that you follow these steps in the sequence listed.

SYMPTOM

POSSIBLE CAUSE

TRANSMITTER BATTERY LED OFF

1. Battery is inserted backwards.
2. Battery is dead.

NO TRANSMITTER MODULATION LEDs

1. Gain control turned all the way down.
2. Battery is in backwards. Check power LED.
3. Mic capsule is damaged or malfunctioning.
4. Mic cable damaged or mis-wired.
5. Phantom power not enabled for mic that requires it.

SYMPTOM	POSSIBLE CAUSE
RECEIVER RF LAMP OFF	<ol style="list-style-type: none">1. Transmitter not turned on.2. Transmitter battery is dead.3. Receiver antenna missing or improperly positioned.4. Transmitter and receiver not on same frequency. Check switches/ display on transmitter and receiver.5. Operating range is too great.
NO SOUND (OR LOW SOUND LEVEL), RECEIVER MOD LEVEL LEDs ARE ON	<ol style="list-style-type: none">1. Receiver output level set too low.2. Receiver output is disconnected; cable is defective or mis-wired.3. Sound system input is turned down.
NO SOUND (OR LOW SOUND LEVEL), RECEIVER MOD LEDs ARE OFF	<ol style="list-style-type: none">1. Transmitter gain (audio level) set too low.2. Faulty microphone3. Phantom power not enabled for mic that requires it.
DISTORTED SOUND	<ol style="list-style-type: none">1. Transmitter gain (audio level) is far too high. Check mod level lamps on transmitter and receiver as it is being used. (Refer to the Operating Instructions section for details on gain adjustment)2. Receiver output may be mismatched with the sound system or recorder input. Adjust output level on receiver to the correct level for the recorder, mixer or sound system.3. Excessive wind noise or breath “pops.” Reposition microphone and/or use a larger windscreen.4. Transmitter is not set to same frequency as receiver. Check that frequency select switches on receiver and transmitter match.
HISS AND NOISE – AUDIBLE DROPOUTS	<ol style="list-style-type: none">1. Transmitter gain (audio level) far too low.2. Receiver antenna missing or obstructed.3. Operating range too great.
EXCESSIVE FEEDBACK	<ol style="list-style-type: none">1. Transmitter gain (audio level) too high causing the limiter to reduce the dynamic range which in turn causes feedback. Check gain adjustment and/or reduce receiver output level. (Refer to the Operating Instructions section for details on gain adjustment)2. Transmitter too close to speaker system.3. Mic is too far from user’s mouth.

SPECIFICATIONS AND FEATURES

Operating frequencies:	537.600 to 607.900 MHz; 614.100 to 793.500 MHz		
Frequency selection:	256 frequencies in 100kHz steps		
RF Power output:	100 mW (nominal)		
Pilot tone:	25 to 32 kHz; 5kHz deviation (in 400 Series mode)		
Frequency stability:	± 0.002%		
Deviation:	± 75 kHz max. (in 400 Series mode)		
Spurious radiation:	60 dB below carrier		
Equivalent input noise:	-118 dBV, A-weighted		
Input level:	Nominal 2 mV to 300 mV, before limiting; Greater than 1.0 V maximum, with limiting.		
Input impedance:	1k Ohm		
Input limiter:	Soft limiter, >30 dB range		
Gain control range:	43 dB; semi-log rotary control		
Modulation indicators:	Dual bicolor LEDs indicate modulation of -20, -10, 0, +10 dB referenced to full modulation.		
Low frequency roll-off:	-12dB/octave; 70 Hz		
Controls:	Control panel knob adjusts audio gain. Rotary switches on bottom panel adjust transmitter frequency.		
Audio Frequency Response:	70 Hz to 20 kHz, +/-1dB <i>(The audio is deliberately rolled off at 70Hz using a 12dB/octave filter. This filter cannot be disabled.)</i>		
Signal to Noise Ratio (dB): (overall system, 400 Series mode)	<u>SmartNR</u>	<u>No Limiting</u>	<u>With Limiting</u>
	Off	103.5	108.0
	Normal	107.0	111.5
	Full	108.5	113.0
	<i>Note: The dual envelope "soft" limiter provides exceptionally good handling of transients using variable attack and release time constants. The gradual onset of limiting in the design begins below full modulation, which reduces the measured figure for SNR without limiting by 4.5 dB.</i>		
Total Harmonic Distortion:	0.2% typical (400 Series mode)		
Antenna:	Built in		
Battery Type:	9V Alkaline or Lithium		
Battery Life:	4.5 Hours with alkaline 9 Volt, 12 hrs with lithium <i>(Battery life will vary with battery brand, phantom power voltage setting and mic current drain.)</i>		
Weight:	6.5 ozs. with lithium battery, no mic		
Overall Dimensions:	1.5 x 1.5 x 4.2 inches <i>(Not including microphone.)</i>		
Emission Designator:	180KF3E		

Specifications subject to change without notice.

The FCC requires that the following statement be included in this manual:

This device complies with FCC radiation exposure limits as set forth for an uncontrolled environment. This device should be installed and operated so that its antenna(s) are not co-located or operating in conjunction with any other antenna or transmitter.

SERVICE AND REPAIR

If your system malfunctions, you should attempt to correct or isolate the trouble before concluding that the equipment needs repair. Make sure you have followed the setup procedure and operating instructions. Check out the interconnecting cords and then go through the TROUBLE SHOOTING section in the manual

We strongly recommend that you **do not** try to repair the equipment yourself and **do not** have the local repair shop attempt anything other than the simplest repair. If the repair is more complicated than a broken wire or loose connection, send the unit to the factory for repair and service. Don't attempt to adjust any controls inside the units. Once set at the factory, the various controls and trimmers do not drift with age or vibration and never require readjustment. **There are no adjustments inside that will make a malfunctioning unit start working.**

LECTROSONICS' service department is equipped and staffed to quickly repair your equipment. In warranty repairs are made at no charge in accordance with the terms of the warranty. Out of warranty repairs are charged at a modest flat rate plus parts and shipping. Since it takes almost as much time and effort to determine what is wrong as it does to make the repair, there is a charge for an exact quotation. We will be happy to quote approximate charges by phone for out of warranty repairs.

RETURNING UNITS FOR REPAIR

You will save yourself time and trouble if you will follow the steps below:

- A.** DO NOT return equipment to the factory for repair without first contacting us by letter or by phone. We need to know the nature of the problem, the model number and the serial number of the equipment. We also need a phone number where you can be reached 8 am to 4 pm (Mountain Standard Time).
- B.** After receiving your request, we will issue you a return authorization number (R.A.). This number will help speed your repair through our receiving and repair departments. The return authorization number must be clearly shown on the outside of the shipping container.
- C.** Pack the equipment carefully and ship to us, shipping costs prepaid. If necessary, we can provide you with the proper packing materials. UPS is usually the best way to ship the units. Heavy units should be "double-boxed" for safe transport.
- D.** We also strongly recommend that you insure the equipment, since we cannot be responsible for loss of or damage to equipment that you ship. Of course, we insure the equipment when we ship it back to you.

Mailing address:
Lectrosonics, Inc.
PO Box 15900
Rio Rancho, NM 87174
USA

Shipping address:
Lectrosonics, Inc.
581 Laser Rd.
Rio Rancho, NM 87124
USA

Telephones:
Regular: (505) 892-4501
Toll Free (800) 821-1121
FAX: (505) 892-6243

World Wide Web: <http://www.lectrosonics.com>

Email: sales@lectrosonics.com

LIMITED ONE YEAR WARRANTY

The equipment is warranted for one year from date of purchase against defects in materials or workmanship provided it was purchased from an authorized dealer. This warranty does not cover equipment which has been abused or damaged by careless handling or shipping. This warranty does not apply to used or demonstrator equipment.

Should any defect develop, Lectrosonics, Inc. will, at our option, repair or replace any defective parts without charge for either parts or labor. If Lectrosonics, Inc. cannot correct the defect in your equipment, it will be replaced at no charge with a similar new item. Lectrosonics, Inc. will pay for the cost of returning your equipment to you.

This warranty applies only to items returned to Lectrosonics, Inc. or an authorized dealer, shipping costs prepaid, within one year from the date of purchase.

This Limited Warranty is governed by the laws of the State of New Mexico. It states the entire liability of Lectrosonics Inc. and the entire remedy of the purchaser for any breach of warranty as outlined above. NEITHER LECTROSONICS, INC. NOR ANYONE INVOLVED IN THE PRODUCTION OR DELIVERY OF THE EQUIPMENT SHALL BE LIABLE FOR ANY INDIRECT, SPECIAL, PUNITIVE, CONSEQUENTIAL, OR INCIDENTAL DAMAGES ARISING OUT OF THE USE OR INABILITY TO USE THIS EQUIPMENT EVEN IF LECTROSONICS, INC. HAS BEEN ADVISED OF THE POSSIBILITY OF SUCH DAMAGES. IN NO EVENT SHALL THE LIABILITY OF LECTROSONICS, INC. EXCEED THE PURCHASE PRICE OF ANY DEFECTIVE EQUIPMENT.

This warranty gives you specific legal rights. You may have additional legal rights which vary from state to state.

LECTROSONICS, INC.

581 LASER ROAD
RIO RANCHO, NM 87124 USA
www.lectrosonics.com

May 1, 2003