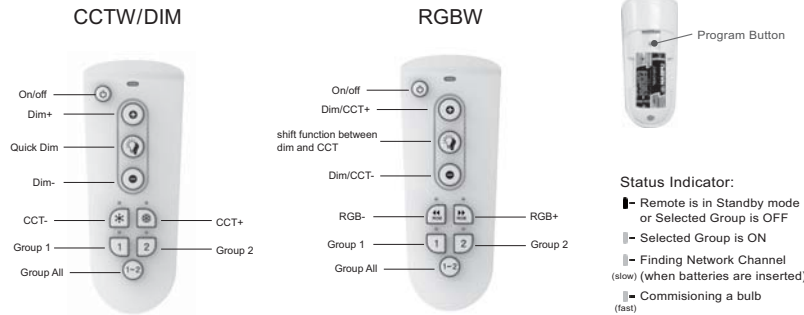
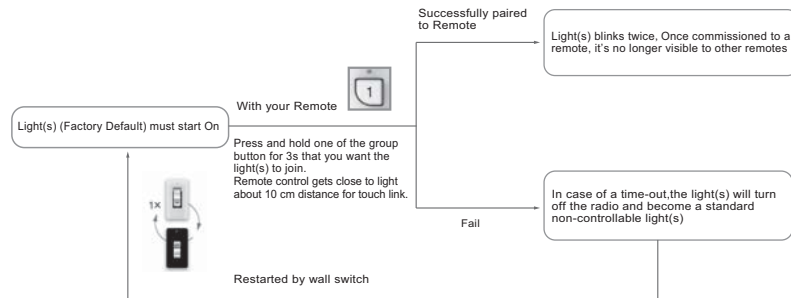


Remote Control & Connected Bulb User Guide



1. Commissioning (Pairing) Light(s)

Commissioning (Pairing) Light(s): Follow instruction below to commission new smart light(s). In case you buy new smart light(s) or the current smart light(s) are set to Factory Default.

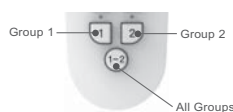


2. Unpairing light(s)

Press group all key "1-2" + red program button for 3 seconds that you want the light(s) to unpair. Remote control gets close to light about 10 cm distance for touch link.

3. Group Selection

Press the group selection button to select the group(s) you want to control.



4. ON/OFF

ON/OFF: Every single press turns all the lights in selected group(s) ON or OFF gradually.

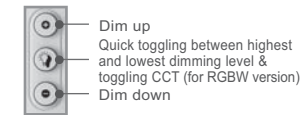


5. Dimming

Dimming: Dim the light(s) in selected group(s).

UP/DOWN button:
Every press: dims the lumen step by step until max./min.
Keep pressing: dims until max./min. in one time.
Remark: There are totally 13 brightness dimming level

CCT button:
Every press: adjusts the CCT step by step until max./min.(for RGBW ver. remote)
Keep pressing: adjusts the CCT until max./min. in one time.(for RGBW ver. remote)

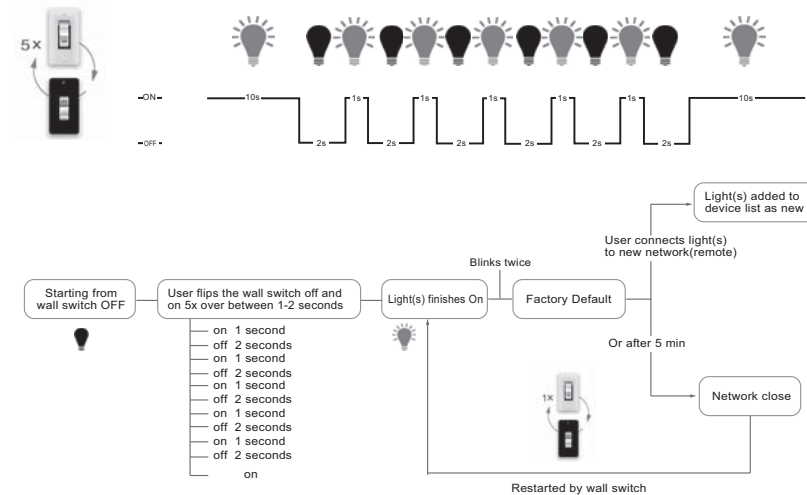


6. Reset remote control to factory default

Press "ON/OFF" key + red program button for 3 seconds. The remote control will be reset to factory default.

Resetting Bulb(s)

Restored to factory default by switch



Bulb(s) could be restored to factory default status either by remote or by wall switch. Factory default by remote is same as un-pairing Bulb(s), while by wall switch is as following.

FCC WARNING

This device complies with Part 15 of the FCC Rules. Operation is subject to the following two conditions:

- (1) This device may not cause harmful interference, and
- (2) this device must accept any interference received, including interference that may cause undesired operation.

NOTE 1: Any changes or modifications to this unit not expressly approved by the party responsible for compliance could void the user's authority to operate the equipment.