

# **Instruction Manual**

MODEL: VJB-125

## **DESKTOP JUKEBOX**



**CAUTION:** To reduce the risk of fire or electric shock, do not expose this appliance to rain or moisture.

**WARNING:** To prevent electric shock, do not use this (polarized) plug with an extension cord, receptacle or other outlet unless the blades can be fully inserted to prevent blade exposure



**WARNING:** Invisible laser radiation when open and interlock failed or defeated. Avoid direct exposure to laser beam.

PRODUCT COMPLIES WITH DHHS RULE 21 CFR SUBCHAPTER J IN EFFECT AT DATE OF MANUFACTURE

## Important Safety Instructions

1. Read these instructions – All the safety and operating instructions should be read before this product is operated.
2. Keep instructions – The safety and operating instructions should be retained for future reference.
3. Heed all warnings – All warnings on the appliance and in the operating instructions should be adhered to.
4. Follow all instructions – All operating and use instructions should be followed.
5. Do not use this apparatus near water – The appliance should not be used near water or moisture – for example, in a wet basement or near a swimming pool, and the like.
6. Clean only with dry cloth.
7. Do not block any ventilation openings. Install in accordance with the manufacturer's instructions.
8. Do not install near any heat sources such as radiations, heat registers, stoves, or other apparatus (including amplifiers) that produce heat.
9. Do not defeat the safety purpose of the polarized or grounding plug. A polarized plug has two blades with one wider than the other. A grounding plug has two blades and a third grounding prong. The wide blade or the third prong is provided for your safety. If the provided plug does not fit into your outlet, consult an electrician for replacement of the obsolete outlet.
10. Protect the power cord from being walked on or pinched particularly at the plugs, convenience receptacles, and at the point where they exit from the apparatus.
11. Only use attachments/accessories specified by the manufacturer.
12. Use only with the cart, stand, tripod, bracket, or table specified by the manufacturer, or sold with the apparatus. When a cart or rack is used, use caution when moving the cart/apparatus combination to avoid injury from tip-over.
13. Unplug the apparatus during lightning storms or when unused for long periods of time.
14. Refer all servicing to qualified personnel. Servicing is required when the apparatus has been damaged in any way, such as power supply cord or plug is damaged, liquid has been spilled or objects have fallen into the apparatus has been exposed to rain or moisture, does not operate normally, or has been dropped.



15.



- The lightning flash with arrowhead symbol within an equilateral triangle is intended to alert the user to the presence of non-insulated “dangerous voltage” within the product’s enclosure that may be of sufficient magnitude to constitute a risk of electric shock.
- Warning: To reduce the risk of electric shock, do not remove cover (or back) as there are no user-serviceable parts inside. Refer servicing to qualified personnel.
- The exclamation point within an equilateral triangle is intended to alert the user to the presence of important operating and maintenance instructions in the literature accompanying the appliance.

16.



This equipment is a Class II or double insulated electrical appliance. It has been designed so that it does not require a safety connection to electrical earth.

17. The main plug is used as disconnect device, the disconnect device shall remain readily operable.

18. WARNING

To reduce the risk of fire or electric shock, do not expose this apparatus to rain or moisture. The apparatus shall not be exposed to dripping or splashing. Objects filled with liquids, such as vases, shall not be placed on apparatus.

19. The equipment should always be used in a moderate climate.

20. The ventilation should not be impeded by covering the ventilation openings with items, such as newspapers, table-cloths, curtains, etc.

21. No naked flame sources, such as lighted candles, should be placed on the apparatus.

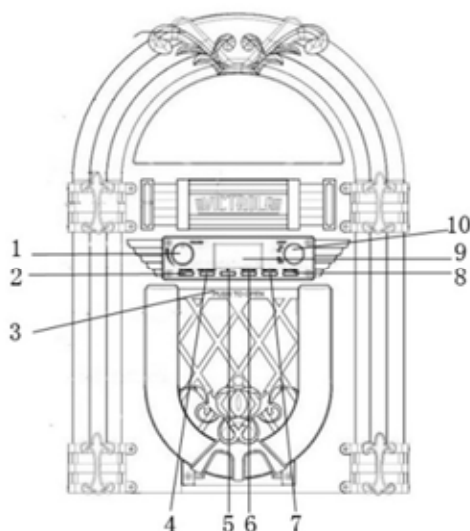
22. The symbol with  Indicates AC voltage.

23. CAUTION, The servicing instructions are for qualified service personnel only. To reduce the risk of electric shock, do not perform any services other than that stated in the operation manual unless you are qualified to do so.




#### ACCESSORIES INCLUDED

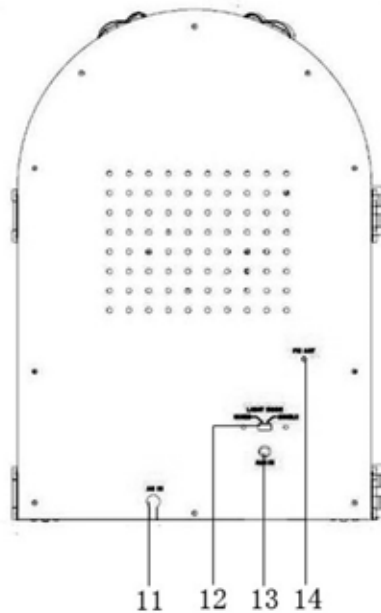
- DESKTOP BLUETOOTH JUKEBOX
- INSTRUCTION MANUAL
- WARRANTY (BACK OF MANUAL)

## Product Overview



### Front View

1. **VOLUME KNOB** Turn to adjust volume.
2. **POWER / FUNCTION** /FUNC. Press to turn the unit ON. / Press and hold to turn the unit OFF. / Once ON, press to select a function mode (CD, FM, AUX-IN or BLUETOOTH)
3. **DISC TRAY** Push to open the tray.
4. **REPEAT / PROGRAM** /PROG” In CD play mode, press to repeat a song or whole CD. / While in CD stop mode, press to program tracks.
5. **STOP**  In CD mode press to stop playback. / In FM mode, press to select preset station number.
6. **▶II/SCAN** In CD / BLUETOOTH mode, press to play or pause playback. / In FM mode, press and hold to scan the stations. Press once to select a preset station.
7. **◀◀/TUN-** In CD mode, press once to restart the current track, press twice in succession to return to the beginning of the previous track. / Press and hold to fast rewind. / In Radio mode, press to manually search a station. / Press and hold to auto search a station
8. **▶▶/TUN+** In CD mode, press once to skip to the next track. / Press and hold to fast forward. / In Radio mode, press to manually search a station. / Press and hold to auto search a station.
9. **LCD DISPLAY**
10. **LED TUBE ON / OFF** Push ON / OFF button for the 5 color changing LED Tube.



**Rear View**

**11. AC Power Cord**

Plugs into a wall outlet or AC Two-Prong power source.

**12. LIGHT Mode Switch**

Single light mode or mixed light mode for LED Tube.

**13. AUX IN Port**

Connect an external source to the AUX IN port.

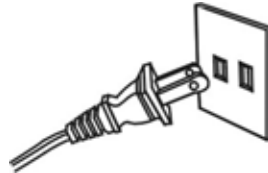
**14. FM Wire Antenna**

While tuned to a station in FM mode, extend the wire and reposition to adjust for best reception.

## Setup / Basic Operation

### Setup

Connect the AC power cord to a wall outlet.

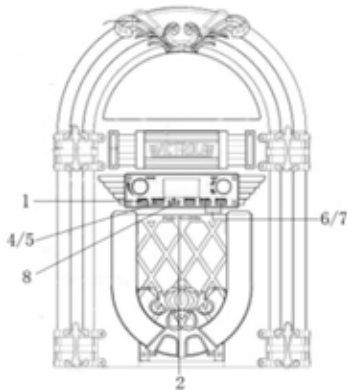


**Note:** To prevent interference, avoid bundling audio signal cables together with the AC power cord.

### Basic Operation

1. Press the **⏻/FUNC.** button to turn the unit on.
2. Press the **⏻/FUNC.** button again to select the source (CD/FM/AUX/BLUETOOTH)
3. Rotate the VOLUME knob to adjust to the desired sound level.
4. Press and hold the **⏻/FUNC.** button to turn the unit off.

## Listening to a CD



1. Press the “**⏻/FUNC.**” button to select CD mode. The unit will display the “CD”  
**Note:** When no disc is set, “disc” will appear on the display.
2. Push the CD door to open the tray.
3. Place a disc on the tray with the printed label facing outward, then close the tray.

4. The unit will automatically start playing from the first track.
5. To temporarily pause playback, press the **⏸/SCAN** button. Press again to resume.
6. To skip tracks backward or forward, press the corresponding skip button **⏮/TUN-** or **⏭/TUN+**. Pressing **⏮/TUN-** once will restart the current track. Pressing **⏮/TUN-** twice in succession will return to the beginning of the previous track. Pressing **⏭/TUN+** button to skip to the next track.
7. To fast forward / rewind within a track, press and hold down the corresponding skip button until the desired position is reached.
8. To stop playback, press the STOP **■** button

### Important:

- Never place more than one disc on the tray.
- The disc must be placed in the center of the disc tray. An incorrectly loaded disc can permanently damage the tray door mechanism.
- It takes a moment for the unit to load a disc, during which all buttons will be temporarily deactivated.

### Repeat / Random Playback

Each time the **REP/PROG** button is pressed, the repeat / shuffle mode will cycle through the following options:

REPEAT 1 (Repeat one track)

The current track will be played repeatedly. If you select another track, the track you select will be play on repeat.

REPEAT ALL (Repeat the entire CD)

The entire CD will be played repeatedly.

RANDOM PLAY (Shuffle through the entire CD)

The entire CD will be played randomly.

**Notes:**

- Press **⏻/FUNC.** button, the repeat mode will be cancelled.

**Programmed Playback**

Program play must be set when the CD is stopped. You can program up to 20 tracks on a CD.

**Notes:**

- Programmed playback works with finalized disc only.

1. Press **⏻/FUNC.** button to select CD mode, then load a CD.
2. While the CD is stopped, press the **REP/PROG** button.
3. PROG indicator will blink, and P01 will appear on the display.
4. Press **⏮/TUN-** or **⏭/TUN+** to select a track number.
5. Press the **REP/PROG** button again to set the current track.
6. P02 will then be displayed. Repeat steps 4 thru 5 to program the additional tracks.
7. When the selection of track numbers has been finished, press the **⏮/SCAN** button to start program playback.
8. To cancel the program mode, press the STOP **■** button once.  
(Note: when all 20 program tracks are set, press the **REP/PROG** button and "FI" will appear on the display as a notification that you've filled all 20 programmable tracks.)

To Check the Programmed Order

In stop mode, press **⏮/TUN-** or **⏭/TUN+** repeatedly to show the track numbers that have been programmed.

To Add a Track to the End of the Programmed Order:

In stop mode, press the **REP/PROG** button. Select a track number by pressing **⏮/TUN-** or **⏭/TUN+**, then press the **REP/PROG** button. The current track will be added to the end of the program.

To clear the programmed order:

Press STOP when the CD is already stopped, or press **⏻/FUNC.**

## Listening to FM Radio

1. Press the **⏻/FUNC.** button to select the FM tuning function.
2. Press the **⏪/TUN-** or **⏩/TUN+** button to manually tune to a desired station
3. You may also press and hold the **⏪/TUN-** or **⏩/TUN+** button to auto scan for a station.
4. Using the **STOP ■** or **▶II/SCAN** button you can scan through your preset stations.  
(See how to preset a station in the section below.)

### Adjusting for Best Reception

*FM broadcast: Extend and reposition the FM antenna located on the back of the unit.*

### **Preset Tuning**

You can preset and store up to 20 FM radio stations.

1. Select your desired FM station.
2. To save the FM radio frequency shown, press **REP/PROG** button, and “P01” will flash on the display. Then press **REP/PROG** button again before the indicator stops flashing and the frequency shown will be saved as “P01”.
3. To continue saving another station, tune to the 2<sup>nd</sup> desired radio frequency:
  - a) Press **REP/PROG** button again to bring you to the list of the “P—” stations.
  - b) Using the **STOP ■** or **▶II/SCAN** button, you can manually choose the desired preset number (P01–P20). The manually selected number will flash on the display
  - c) Press the **REP/PROG** button before preset number “P—” stops flashing.  
Once pressed the frequency shown will be stored as the corresponding number “P—”.
4. Press the **STOP ■** or **▶II/SCAN** button to scan through your preset stations.

## Listening to an External Audio Device (Auxiliary Mode)

*In AUX (auxiliary) mode, this unit can play audio from an external audio device (iPod, MP3 Player, Portable CD Player, etc.)*

### CONNECTING VIA AUXILIARY

1. Press the **⏻/FUNC.** button to select the AUX-IN function.
2. Plug one end of the AUX IN cable (not included) into the AUX IN jack located on the back of the unit.
3. Plug the other end of the cable into the headphone jack of your external audio device.


**NOTE:** Playback functions and operations are only available on your external device.



## Listening to an External Audio Device (Bluetooth Mode)

*In BT (Bluetooth) mode, this unit can play audio from external devices that have a built-in Bluetooth function.*

### CONNECTING VIA BLUETOOTH

1. Press **⏻/FUNC.** button to select the Bluetooth mode, the display will show this symbol: .
2. Turn ON the Bluetooth function on your external device.

**NOTE:** *The effective distance between your external device and this apparatus is 10 meters.*

3. Wait a moment until “**Victrola Jukebox**” appears on the paired devices list, then select “Victrola Jukebox” and allow it to connect. *If a window appears and asks for a password, simply type “0000”, then press ok on your external device.*
4. After a few seconds you will hear an audio tune to indicate that your device has made a successful connection.

### PLAYING MUSIC VIA BLUETOOTH

1. Once your device is connected, open the music player application or program on your external device. If your device is not connected yet, see “Connecting Via Bluetooth”
2. You can now control music playback with the **▶II/SCAN**, **◀◀/TUN-** and **▶▶/TUN+** buttons on the Bluetooth Jukebox.
3. Enjoy your music!

**PLEASE NOTE:** *Some buttons may not work in certain music player applications or programs.*

## Light Mode Function

### USING THE LED LIGHT TUBE

1. Press the LED Tube On/Off button located on the front of the Jukebox to turn on the 5 color changing LED Tube.
2. The Outer LED Tube will illuminate the 5 changing colors (depending on the Light mode).
3. Using the Light Mode Switch located on the back of the unit, you can switch between Mixed Light Mode and Single Light Mode.
  - **Mixed Light Mode** will slowly transition through the 5 LED colors.
  - **Single Light Mode** will remain on the single color that the LED Tube currently displays.

**NOTE:** *The White tube located on the CD Door does not light up.*

## Specifications

### GENERAL

Power Requirements .....	AC 120 V~ 60 Hz
Power Consumption .....	35W
Dimensions (W x H x D) .....	278mm x 400mm x 168mm (approx.)
	10.9 in x 15.75 in x 6.6 in
Weight .....	2.8 kgs (approx.)
	6.17 lbs

### AMPLIFIER

Output Power .....	5 W + 5 W
Frequency Response .....	60 to 20, 000 Hz

### SPEAKER SYSTEM

Type .....	1-way
Impedance .....	8 ohms
Input Power .....	Max. 10W

### FM Radio

Range .....	88 to 108 MHz
-------------	---------------

### CD PLAYER

Frequency Response .....	60 to 20, 000 Hz +/-4 dB
Signal-to-Noise Ratio .....	55 dB (IEC-A)

### BLUETOOTH

Bluetooth Version .....	Bluetooth V2.1+EDR
Bluetooth Profiles .....	A2DP, AVRCP
Bluetooth Frequency range .....	2.402GHz-2.480GHz
Operating Distance .....	10 meters (33 ft.)

## Troubleshooting Guide

	Symptom	Possible Cause	Solution
<b>GENERAL</b>	• Unit will not power on.	• Unit is unplugged.	• Connect the unit to the AC power supply.
	• No sound output from speakers.	• The volume level is set too low. • The input selector does not match the playback source.	• Adjust the volume. • Select the correct input source.
	• Noise/Distortion in sound output.	• The unit is too close to a TV set or another interfering device.	• Turn off the TV or other appliance, and relocate the unit.
	• Unit fails to respond.	• It might result from external factors such as ESD (Electro-static discharge).	• Disconnect the power cord and external audio device. Re-plug the power cord after one minute.
<b>FM RADIO</b>	• Cannot listen to any station, or signal appears weak.	• The station is not tuned-in properly. • A TV set is being used nearby and is interfering with the radio reception.	• Properly tune-in the desired station. • Turn-off the interfering TV set.

	<ul style="list-style-type: none"> <li>• The sound is distorted.</li> </ul>	<ul style="list-style-type: none"> <li>• The antenna is not oriented properly.</li> </ul>	<ul style="list-style-type: none"> <li>• Re-orient the antenna until reception improves.</li> </ul>
<b>CD PLAYER</b>	<ul style="list-style-type: none"> <li>• CD stops immediately after starting, or unit pauses or stops during play.</li> </ul>	<ul style="list-style-type: none"> <li>• The CD is inserted upside down.</li> <li>• The CD is dusty or dirty or there is condensation on the CD.</li> </ul>	<ul style="list-style-type: none"> <li>• Insert the CD with the printed side right-side up.</li> <li>• Carefully clean and dry the CD.</li> </ul>
	<ul style="list-style-type: none"> <li>• No sound.</li> </ul>	<ul style="list-style-type: none"> <li>• The CD player is paused.</li> </ul>	<ul style="list-style-type: none"> <li>• Press the PLAY/PAUSE button.</li> </ul>
	<ul style="list-style-type: none"> <li>• CD playback is noisy, or playback stops or skips.</li> </ul>	<ul style="list-style-type: none"> <li>• The CD is scratched, damaged or warped.</li> <li>• The disc is very dirty.</li> </ul>	<ul style="list-style-type: none"> <li>• Replace CD with an undamaged one.</li> <li>• Carefully clean the CD.</li> </ul>
	<ul style="list-style-type: none"> <li>• Buttons are not functioning correctly.</li> </ul>	<ul style="list-style-type: none"> <li>• The unit is processing information</li> <li>• The unit needs to be restarted</li> </ul>	<ul style="list-style-type: none"> <li>• Wait until the unit finishes processing.</li> <li>• Turn the unit off, then on again.</li> </ul>
<b>AUX</b>	<ul style="list-style-type: none"> <li>• No sound output with external audio device plugged into rear AUX in jack.</li> </ul>	<ul style="list-style-type: none"> <li>• AUX in jack is unplugged.</li> <li>• Unit is not in proper Mode</li> </ul>	<ul style="list-style-type: none"> <li>• Make sure the Auxiliary Cable is plugged into both sources.</li> <li>• Select proper AUX mode</li> </ul>
<b>BLUETOOTH</b>	<ul style="list-style-type: none"> <li>• No sound</li> </ul>	<ul style="list-style-type: none"> <li>• The unit is not switched to Bluetooth mode</li> <li>• Your device's and/or the unit's volume is not turned up.</li> <li>• Your device is too far from the unit or there're some obstacle between your device and the unit</li> </ul>	<ul style="list-style-type: none"> <li>• Ensure the unit is switched to BT mode.</li> <li>• Move your Bluetooth device closer to unit</li> <li>• Turn up the volume on your portable device and/or the unit.</li> <li>• Turn OFF your Bluetooth device and unit. Then power them both back ON</li> </ul>
	<ul style="list-style-type: none"> <li>• Sound has a lot of static</li> </ul>	<ul style="list-style-type: none"> <li>• Your device is too far away</li> </ul>	<ul style="list-style-type: none"> <li>• Bring your device closer to the turntable</li> </ul>
	<ul style="list-style-type: none"> <li>• Unable to pair with a Bluetooth device</li> </ul>	<ul style="list-style-type: none"> <li>• Your device doesn't have Bluetooth connectivity.</li> <li>• The Bluetooth pairing is not successful</li> </ul>	<ul style="list-style-type: none"> <li>• Confirm that your device is Bluetooth compatible.</li> <li>• Re-pair the unit and device again.</li> </ul>

## FCC Statement

This device complies with Part 15 of the FCC Rules. Operation is subject to the following two conditions: (1) This device may not cause harmful interference, and (2) this device must accept any interference received, including interference that may cause undesired operation.

NOTE: This equipment has been tested and found to comply with the limits for a Class B digital device, pursuant to Part 15 of the FCC Rules. These limits are designed to provide reasonable protection against harmful interference in a residential installation. This equipment generates uses and can radiate radio frequency energy and, if not installed and used in accordance with the instructions, may cause harmful interference to radio communications. However, there is no guarantee that interference will not occur in a particular installation. If this equipment does cause harmful interference to radio or television reception, which can be determined by turning the equipment off and on, the user is encouraged to try to correct the interference by one of the following measures:

- Reorient or relocate the receiving antenna.
- Increase the separation between the equipment and receiver.
- Connect the equipment into an outlet on a circuit different from that to which the receiver is connected.
- Consult the dealer or an experienced radio/TV technician for help.

WARNING: Any changes or modifications not expressly approved by the party responsible for compliance could void the user's authority to operate this equipment.

The device must not be co-located or operating in conjunction with any other antenna or transmitter.

To maintain compliance with the FCC's RF exposure guidelines, place the product at least 20cm from nearby persons.

## California PROP 65 Warning

"WARNING" This product contains chemicals known to the State of California to cause birth defects or other reproductive harm. For more information on these regulations and a list of chemicals, log on the following website address:  
<http://www.oehha.ca.gov/prop65.html>