

### INSTALLATION INSTRUCTIONS FOR LENNOX MODEL WB2-17 & WB2-17A

#### ATTENTION INSTALLER:

#### Specifications

This product must be installed by a qualified heating and air conditioning contractor. This product must be installed in compliance with all local, state and federal codes.



#### ⚠ WARNING

##### Electrical Shock Hazard.

Can cause injury or death.

Disconnect all electrical power supplies before servicing.

#### ⚠ WARNING

##### Risk of Property Damage, Injury or Death.

Installation, adjustments, alterations, service and maintenance must be performed by your Lennox dealer.

#### ⚠ WARNING

##### Risk of Scalding.

Water temperature over 125°F can cause severe burns and scalding instantly.

Shut off the hot water supply before disconnecting or tapping into any hot water supply line.

#### ⚠ CAUTION

##### Risk Of Sharp Edges Hazard.

Equipment sharp edges can cause injuries.

Avoid grasping equipment edges without protective gloves.

#### ⚠ CAUTION

##### Risk of Property and Equipment Damage.

Water heating system can be damaged if water supply remains off.

After humidifier installation is completed, turn hot water supply back on.

Water heating system must be de-energized if the main water supply remains shut off.

Do not set humidity level above recommended or to recommended level if condensation exists on inside windows of any unheated space, as condensation damage may result. Excess humidity can cause moisture accumulation which can allow the possibility for mold growth in your home.

Do not install unit in location where freezing temperatures may occur. The water line could freeze and crack causing water damage to the home.

Do not install humidifier or bypass connection on furnace jacket.

Do not install humidifier or bypass connection on blanked off end of cooling coil where airflow will be restricted.

Do not connect the transformer to multi-speed furnace blower motors or blower motors other than 120 VAC.

Do not install humidifier where water pressures exceed 125 psi, since humidifier damage may result. Follow codes in effect concerning pressure reduction.

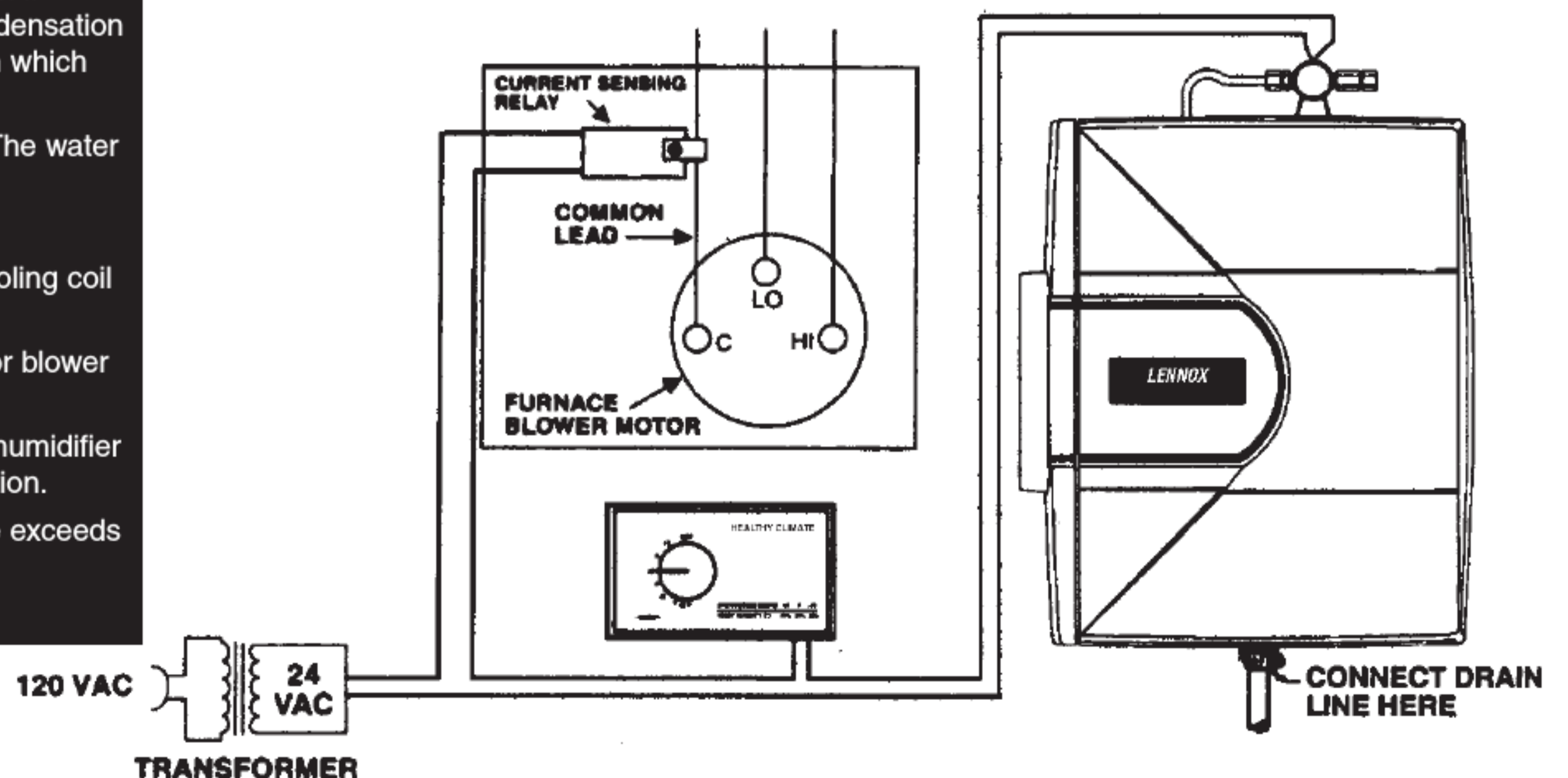
Do not install power humidifier on supply plenum where static pressure exceeds 0.3" w.c.

#### BYPASS HUMIDIFIER Model WB2-17 & WB2-17A

- Unit dimensions  
13<sup>1</sup>/<sub>8</sub>"W x 15<sup>1</sup>/<sub>2</sub>"H x 9<sup>1</sup>/<sub>8</sub>"D,  
6" dia. round opening
- Plenum Opening  
9<sup>3</sup>/<sub>4</sub>"W x 12<sup>1</sup>/<sub>2</sub>"H
- Water Feed Rate  
6 gph
- Electrical Data  
24V-60Hz, 0.5 AMP

#### WB2-17A

For detailed humidifier control installation and wiring instructions see form Publication No. 504,879M included with humidifier.

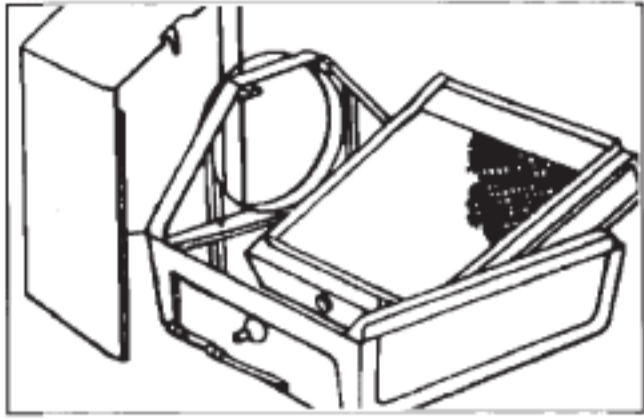


**TEMPLATE MUST BE LEVEL**

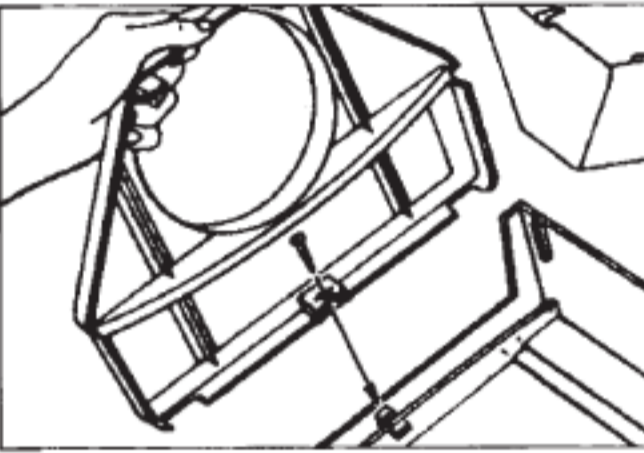
**READ COMPLETE WARNING AND CAUTION INSTRUCTIONS BEFORE STARTING  
TEMPLATE MUST BE LEVEL**

**Lennox Healthy Climate® Humidifier – Models WB2-17 & WB2-17A**

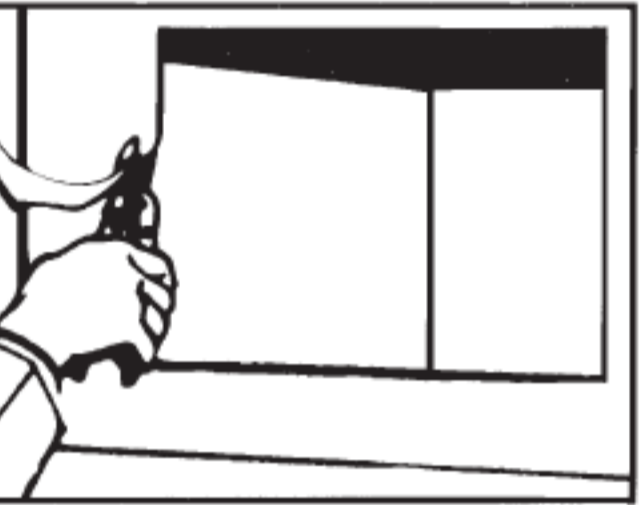
- 1.** Place unit on flat surface and pull front cover up on right side. Lift evaporative media and scale control insert out at the top



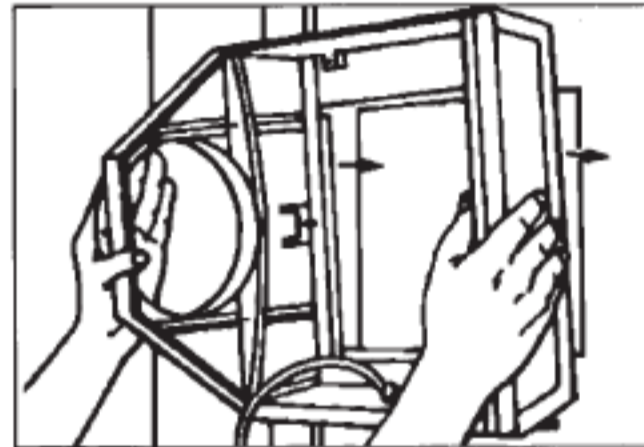
- 2.** The unit is assembled for left side discharge. If right discharge is necessary, remove the right and left screws from the unit interior side walls and exchange the two sides. Reassemble using existing screws.



- 3.** Using a level, position the template at least 1-1/2" above the furnace housing or cooling coil (if applicable), for clearance of the drain line. Trace around template edges. Remove the template and accurately cut the plenum opening 9 3/4"Wx12 1/2"H, being careful to avoid injury from sharp edges.



- 4.** Place the unit into the plenum opening so that the locking tabs on the bottom are closed down onto the lower sheet metal edge. While holding the unit in place, install two screws at the top of the unit interior.



- 5.** Install a 6" collar in a convenient location on the opposite plenum. Slip on a 90° elbow and measure the length of 6" round duct required to make the connection. The 6" duct will fit into the round collar on the side of the unit. If the system has central air conditioning, add a duct damper. Assemble components using sheet metal screws. Support bypass ducts in excess of 4' to prevent sagging.



- 6.** Replace the evaporative assembly complete with the evaporative media by fitting the drain tube into the round receptacle at the bottom of the unit. Push the assembly in at the top against the beveled tabs. Replace the front cover.



**7A. HUMIDISTAT INSTALLATION INSTRUCTIONS FOR WB2-17**

The humidistat is designed for low voltage service to control humidification equipment. An increase in relative humidity expands the nylon ribbon that opens the control switch to stop operation on the humidifier. A decrease in relative humidity reverses the process and closes the control switch. See front for wiring diagram.

**DISCONNECT THE ELECTRICAL POWER TO FURNACE BEFORE PROCEEDING**

**LOCATION**

- Locate on inside wall of living area approximately 5' above floor, or in the furnace return air plenum. Use enclosed adapter plate for return air installation.
- Do not locate control in the direct path of furnace discharge air or drafts from open doors and windows.
- Do not install where operation might be affected by lamps, sunlight, fireplace registers, radiators, concealed air ducts and pipes, or next to activities that generate moisture.
- The basic rules for location of thermostats also apply to humidistats.

**GENERAL INSTRUCTIONS**

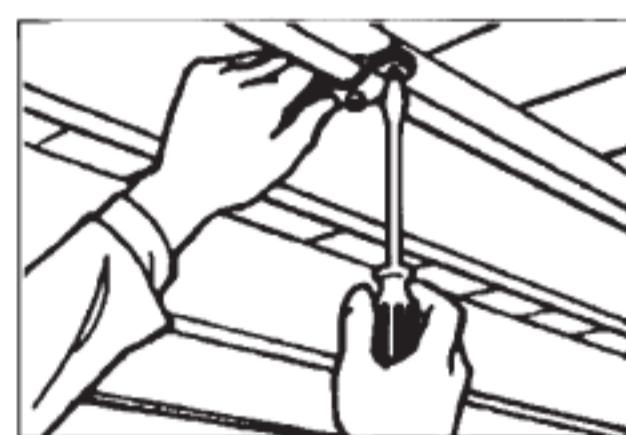
- DO NOT ATTEMPT TO REPAIR OR RECALIBRATE CONTROL. Controls requiring service should be returned to Lennox Industries.**
- Control must be installed to receive no more than 24 volts!
- Make sure no bare wires are exposed or insulation damaged. Insulation on wire should extend to head of binding screws.
- Make sure all splices are mechanically and electrically secure.
- To remove dirt or other foreign matter from nylon ribbon and control interior, dust lightly with a fine, soft brush.

**7B. HUMIDISTAT INSTALLATION INSTRUCTIONS FOR WB2-17A.**

For detailed humidifier control installation and wiring instructions see form Publication 504879M, included with humidifier.

- 8. Shut off water supply. Open any faucet to relieve water pressure.**

**TO INSTALL ON COPPER OR PLASTIC PIPE**



- Place rubber gasket in center of hole in top saddle clamp. Place top and bottom saddle clamp around water pipe. Using bolts, tighten saddle clamps evenly - clamps should be parallel - Do Not over-tighten.
- Screw valve body into opening in top saddle clamp and tighten.
- Tighten gland nut onto valve body.
- Install 1/4" water supply line from humidifier using compression fittings.
- You are now ready to pierce the pipe. Turn handle until spindle is firmly seated into valve body. The water pipe is now fully pierced. Turning spindle in shuts valve off.

**TO INSTALL ON STEEL OR BRASS PIPE**

- Drill 3/16" diameter hole into pipe where saddle valve will be placed.
- Place rubber gasket in center of hole in top saddle clamp.
- Place top saddle clamp assembly over hole so that lance fits into hole.
- Place top and bottom saddle clamp around water pipe.
- Screw valve body into opening in top saddle clamp and tighten.

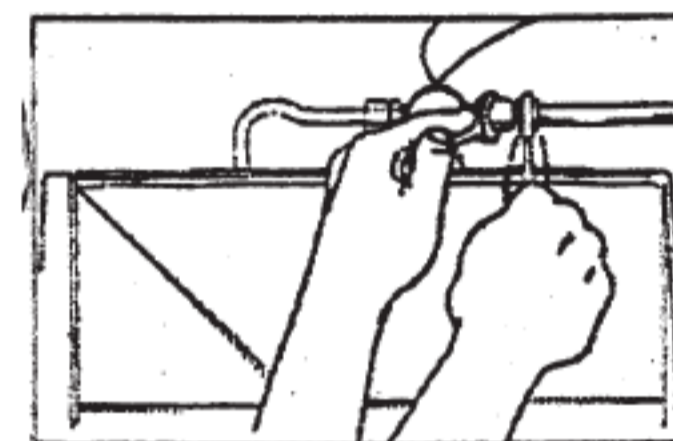
- Tighten gland nut onto valve body.
- Install 1/4" water supply line from humidifier using compression fittings.

**NOTE:** For pipe over 1" O.D., use 1/4"-20, 1-3/4" long bolts.

- 9.** Tap into a water supply line with the saddle valve furnished. The humidifier will function with cold, hot, softened or unsoftened water. The use of service hot water 140°F Max and constant blower operation will provide maximum evaporative capacities. Note: The saddle valve is designed to be fully opened or closed. Do not use it to regulate water flow.

- 10.** Connect tubing from the saddle valve to the inlet side of the solenoid valve using 1/4" O.D. copper tubing (not furnished). **DOUBLE WRENCH TO PREVENT LEAKING AND VALVE BREAKAGE!**

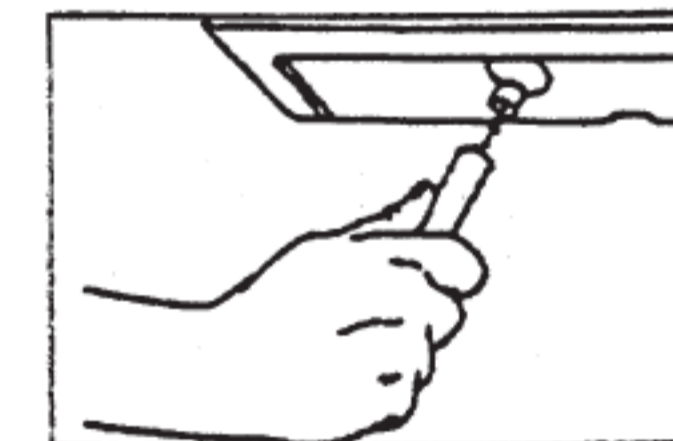
- 11.** Connect 1/2" I.D. plastic hose (not furnished) from unit to floor drain. **Be sure drain hose has continuous slope. Use caution if hose clamp is used to not over tighten and crack drain spud. NOTE: Do not sweat or directly attach metal**



**drain line to fitting. Do not use solvent type adhesive when connecting plastic drain hose, since damage to fitting could result.**

- 12.** Turn water on.

- 13.** Open saddle valve completely and turn on furnace. **WB2-17 – Adjust humidifier setting so that humidifier will turn on. Allow humidifier to run until water is observed coming out of drain line. Check to see if unit is**



**watertight. Check operation to make sure that all electrical components function properly. Set humidistat to recommended level. (See operating instructions in owners manual)**

**WB2-17A – Check to see if unit is watertight. Check operation to make sure that all electrical components function properly. Use humidification "System Checkout" section of Automatic Humidifier Control Installation Instructions, Publication No. 504,879M.**

**LENNOX®**

**HEALTHY CLIMATE®  
HUMIDIFIER**